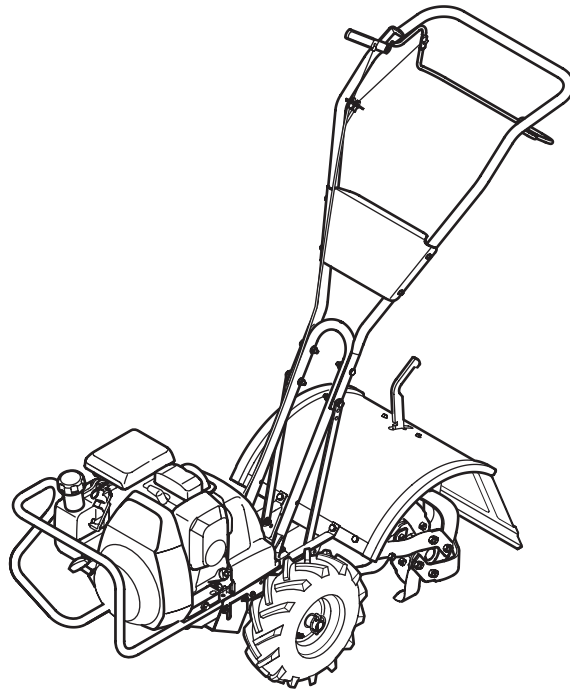




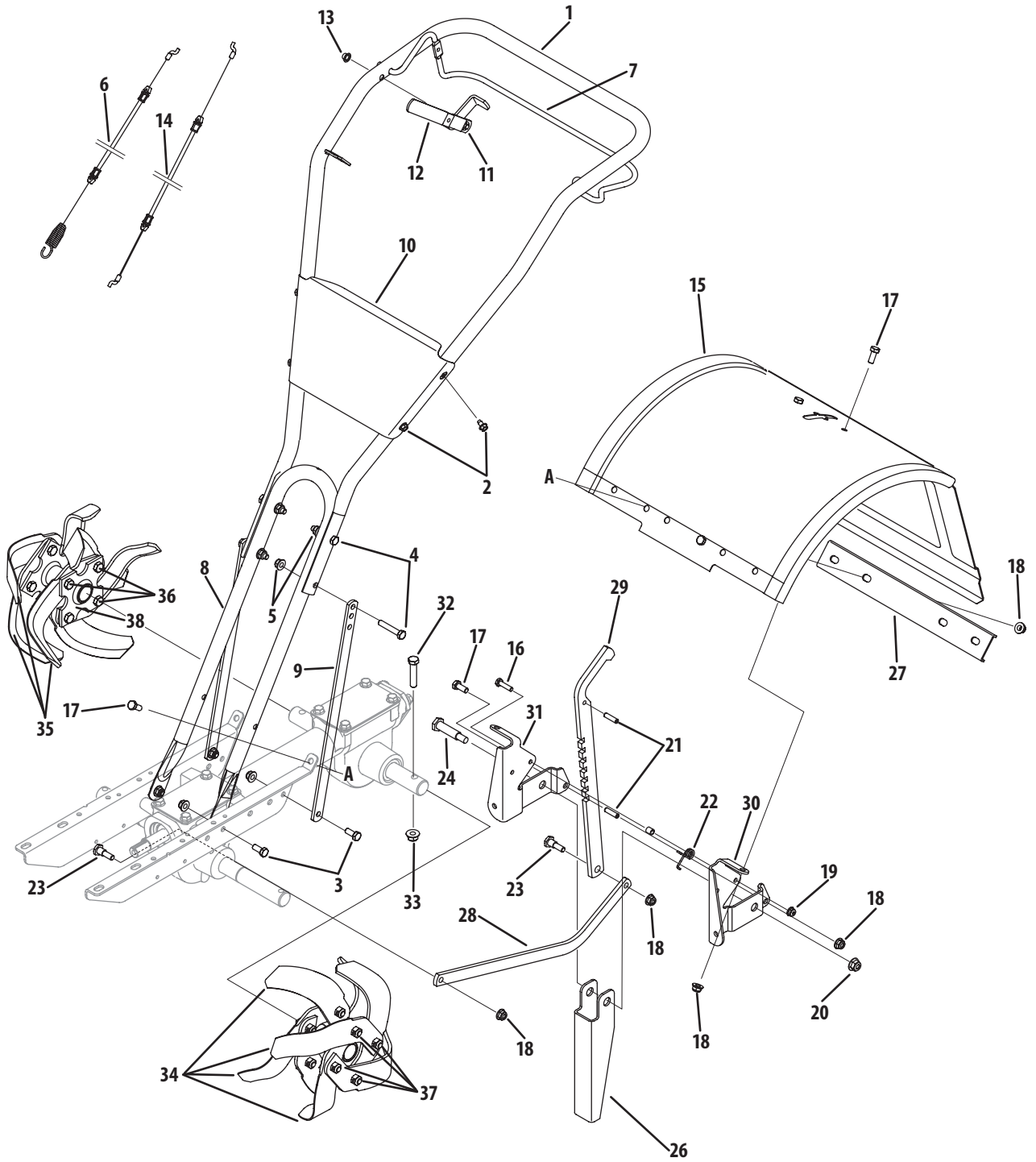
ILLUSTRATED PARTS MANUAL



Small Frame Tiller — 640 & 650 Series

TROY-BILT LLC, P.O. BOX 361131 CLEVELAND, OHIO 44136-0019

640 & 650 Series Handle, Tine Shield & Tines

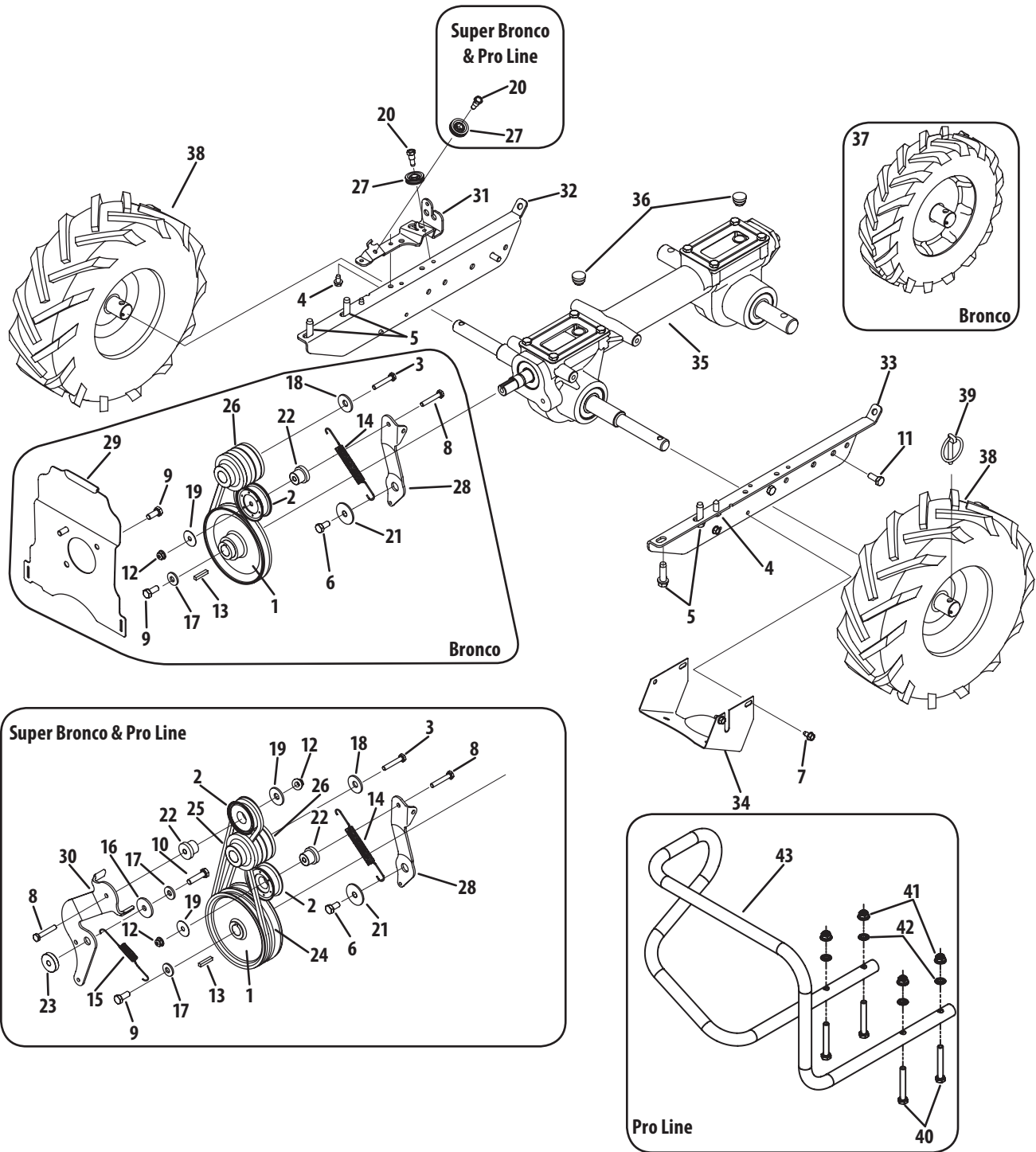


640 & 650 Series Handle, Tine Shields & Tines

Ref.	Part Number	Description	Ref.	Part Number	Description
1.	649-04066	Upper Handle Assembly	20.	712-04065	Flange Lock Nut, 3/8-16
2.	710-0599	Screw, 1/4-20 x .500	21.	715-0108	Spring Pin, 1/4 x 1.00
3.	710-3008	Hex Screw, 5/16-18 x .75	22.	732-04320	Torsion Spring
4.	710-3180	Hex Screw, 5/16-18 x 1.75	23.	738-04320	Shoulder Screw, 5/16-18 x .405 x .435
5.	712-04063	Flange Lock Nut, 5/16-18	24.	738-0533	Shoulder Screw, .498 x 1.635
6.	746-04413	Forward Cable	25.	750-04556	Split Spacer, .350 x .268 x .375
7.	747-04789	Clutch Bail	26.	786-04092	Reverse Stop Arm
8.	749-04208	Lower Handle Assembly	27.	786-04098	Support Bracket
9.	786-04188	Handle Support Bracket	28.	786-04104	Depth Drag Bar
10.	786-04200	Handle Panel	29.	786-04292	Adjustable Depth Bar
11.	686-04098	Reverse Handle Assembly	30.	786-04363	Tail Bracket, Left
12.	720-0270A	Reverse Handle Grip	31.	786-04364	Tail Bracket, Right
13.	726-0135	Speed Nut, .3125	32.	710-0347	Hex Screw, 3/8-16 x 1.75
14.	746-04414	Reverse Cable	33.	712-04065	Flange Lock Nut, 3/8-16
15.	686-04077	Tine Shield, 17" (B, C)	34.	742-04227	Bolo Tine, 10" LH
—	686-04073	Tine Shield, 15" (A)	35.	742-04226	Bolo Tine, 10" RH
16.	710-0597	Hex Screw, 1/4-20 x 1.00	36.	710-0514	Hex Screw, 3/8-16 x 1
17.	710-3008	Hex Screw, 5/16-18 x .75	37.	712-3000	Hex Lock Nut, 3/8-16
18.	712-04063	Flange Lock Nut, 5/16-18	38.	686-04065	Tine Holder (A)
19.	712-04064	Flange Lock Nut, 1/4-20	—	686-04066	Tine Holder (B, C)

A — Bronco
 B — Super Bronco
 C — Pro Line

640 & 650 Series Drive System



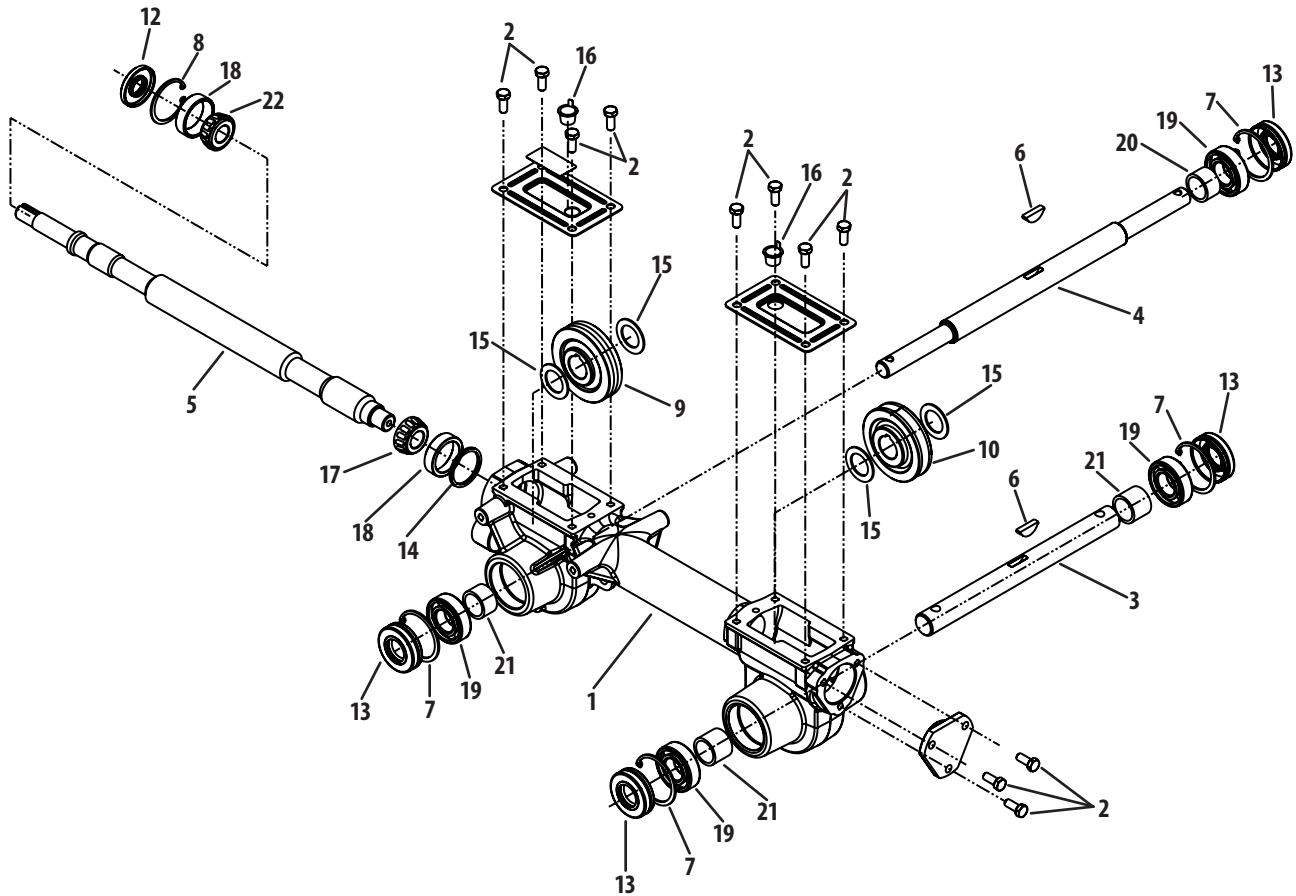
640 Series Drive System

Ref.	Part Number	Description
1.	656-04023A	Engine Pulley (A)
—	656-04005A	Engine Pulley (B,C)
2.	684-04168	Idler Pulley Assembly
3.	710-0151	Hex Screw, $\frac{3}{8}$ -24 x 2
4.	710-04484	Screw, $\frac{5}{16}$ -18 x .750
5.	710-0502A	Screw, $\frac{3}{8}$ -16 x 1.250 (A,B)
6.	710-0538	Hex Screw, $\frac{5}{16}$ -18 x .625
7.	710-0599	Screw, $\frac{1}{4}$ -20 x .500
8.	710-0606	Hex Screw, $\frac{1}{4}$ -20 x 1.50
9.	710-0627	Hex Screw, $\frac{5}{16}$ -24 x .750
10.	710-0672	Hex Screw, $\frac{5}{16}$ -24 x 1.250
11.	710-3008	Hex Screw, $\frac{5}{16}$ -18 x .75
12.	712-04064	Flange Lock Nut, $\frac{1}{4}$ -20
13.	714-0105	Key, $\frac{3}{16}$ x 1.00
14.	732-04085	Extension Spring, .480 x 5.00
15.	732-04276A	Extension Spring
16.	736-0343	Flat Washer, .330 x 1.25 x .120
17.	736-04193	Belleville Washer, .827 x .331 x .098
18.	736-0452	Belleville Washer, .396 x 1.140 x .095
19.	736-3092	Flat Washer, .265 x 1.0 x .030
20.	738-0924A	Shoulder Screw, $\frac{1}{4}$ -28 x .340 x .335
21.	748-04087A	Pivot Spacer

Ref.	Part Number	Description
22.	750-04571	Shoulder Spacer, .260 x .785 x .538
23.	750-04907	Pivot Spacer
24.	754-04090	Forward Drive Belt, 4 x 25.375
25.	754-04091	Reverse Drive Belt, 3 x 29.125
26.	756-04334	Engine Pulley
27.	756-0625	Cable Roller
28.	786-04312	Forward Idler Bracket
29.	786-04343	Motor Cover Plate
30.	786-04346	Reverse Idler Bracket
31.	786-04357	Bracket
32.	786-04367	Frame, Left
33.	786-04368	Frame, Right
34.	786-04371	Pulley Shield
35.	618-04597	Transmission Assembly
36.	721-04235	Rubber Oil Plug
37.	734-04188	Wheel, 10 x 2.75 (A)
38.	634-04232	Wheel, 13 x 5 x 6 (B,C)
39.	714-0143	Klik Pin
40.	710-0395	Hex Screw, $\frac{5}{16}$ -18 x 2.25
41.	712-04063	Flange Lock Nut, $\frac{5}{16}$ -18
42.	726-0201	Speed Nut, .3125
43.	749-04193	Bumper

A — Bronco
 B — Super Bronco
 C — Pro Line

640 & 650 Series Transmission Assembly



Ref.	Part Number	Description
1.	619-04190	Transmission Housing
2.	710-3008	Hex Screw, 5/16-18 x .75
3.	711-04844	Shaft
4.	711-04854	Wheel Shaft
5.	711-04882	Drive Shaft
6.	714-04059	Hi-Pro Key, .25 x 1.062
7.	716-0204	Retaining Ring
8.	716-04102	Retaining Ring
9.	717-04380	Worm Gear, 61T
10.	717-04381	Worm Gear, 30T
11.	718-04435	Bearing Cover
12.	721-04030	Oil Seal, .750 x 1.783
13.	721-04232	Oil Seal, 1.00 x 2.00

Ref.	Part Number	Description
14.	736-04305	Flat Washer, 1.50 x 1.75 x .062*
—	736-04306	Flat Washer, 1.50 x 1.75 x .005*
—	736-04307	Flat Washer, 1.50 x 1.75 x .03*
—	736-04308	Flat Washer, 1.50 x 1.75 x .010*
15.	736-0745	Flat Washer, 1.010 x 1.56 x .060
16.	737-04214	Plastic Plug
17.	741-04298	Cone Bearing
18.	741-04299	Cup Bearing
19.	741-3114	Ball Bearing
20.	750-04943	Spacer, 1.00 x 1.25 x .73
21.	750-04944	Spacer, 1.00 x 1.25 x .98
22.	786-04366	Transmission Cover

* — Washers of multiple thickness are used as required to obtain .005" to .015" of end play in the drive shaft

To order replacement parts or locate your nearest service dealer call Customer Support at (800) 828-5500.
or visit www.troybilt.com to find the nearest authorized dealer in your area.

TROY-BILT LLC, P.O. BOX 361131 CLEVELAND, OHIO 44136-0019
