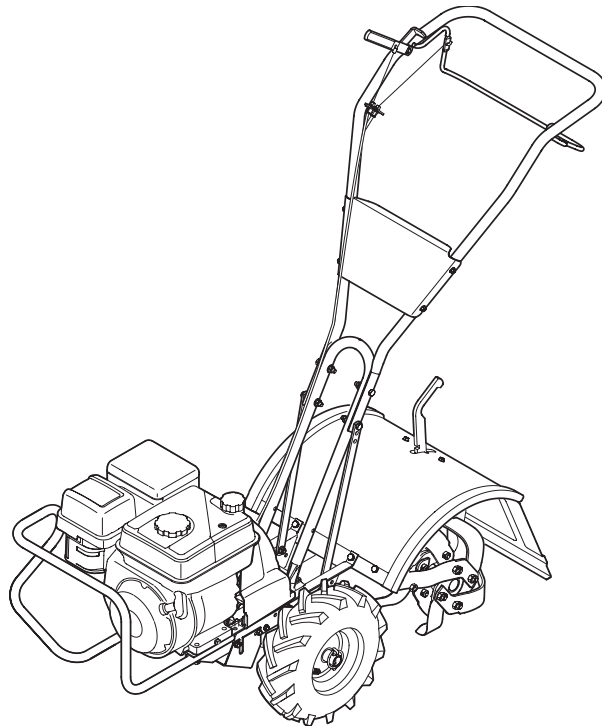




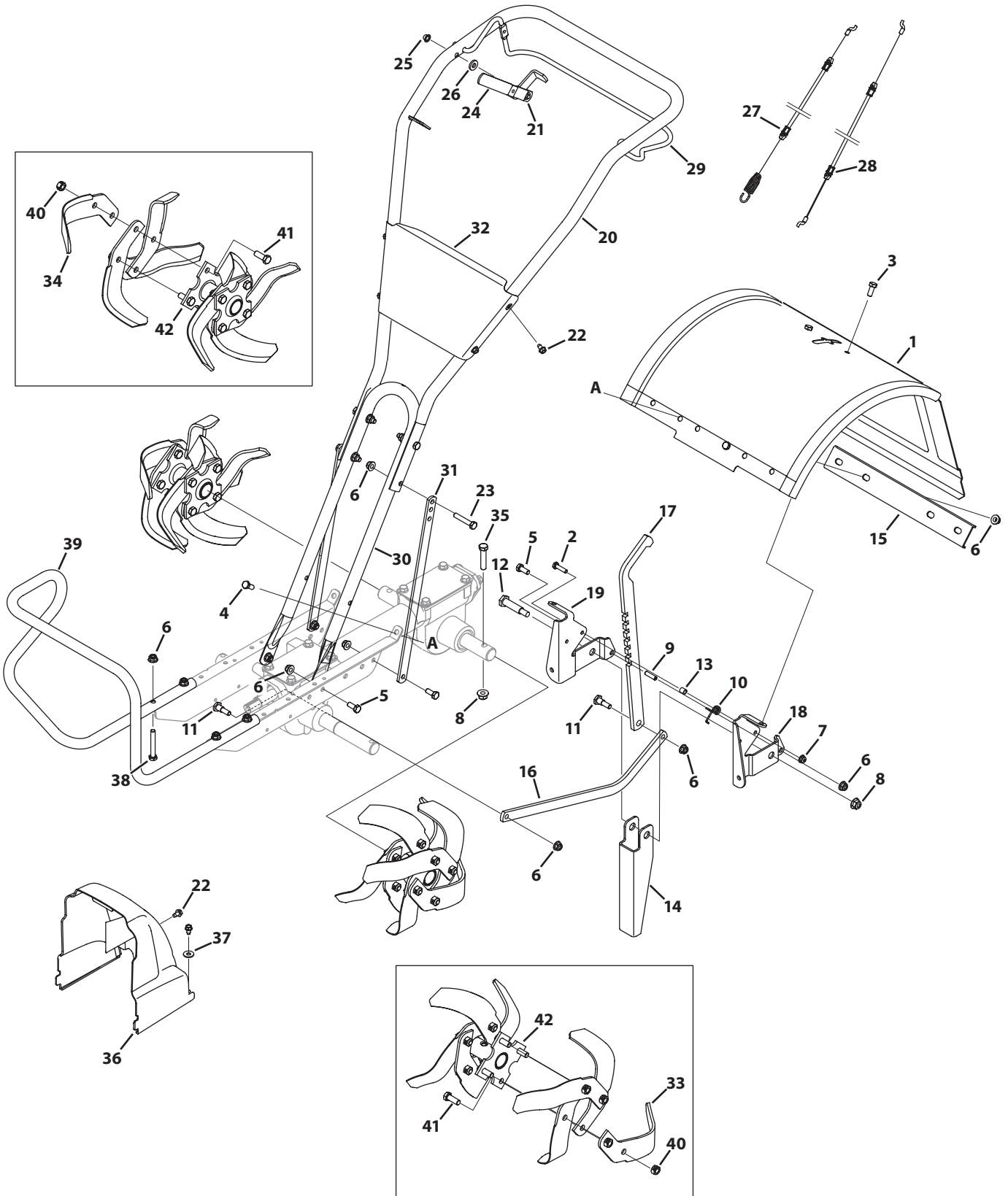
ILLUSTRATED PARTS MANUAL



Small Frame Tiller - 64 & 65 Series

TROY-BILT LLC, P.O. BOX 361131 CLEVELAND, OHIO 44136-0019

64 & 65 Series Handle, Tine Shields, and Tines

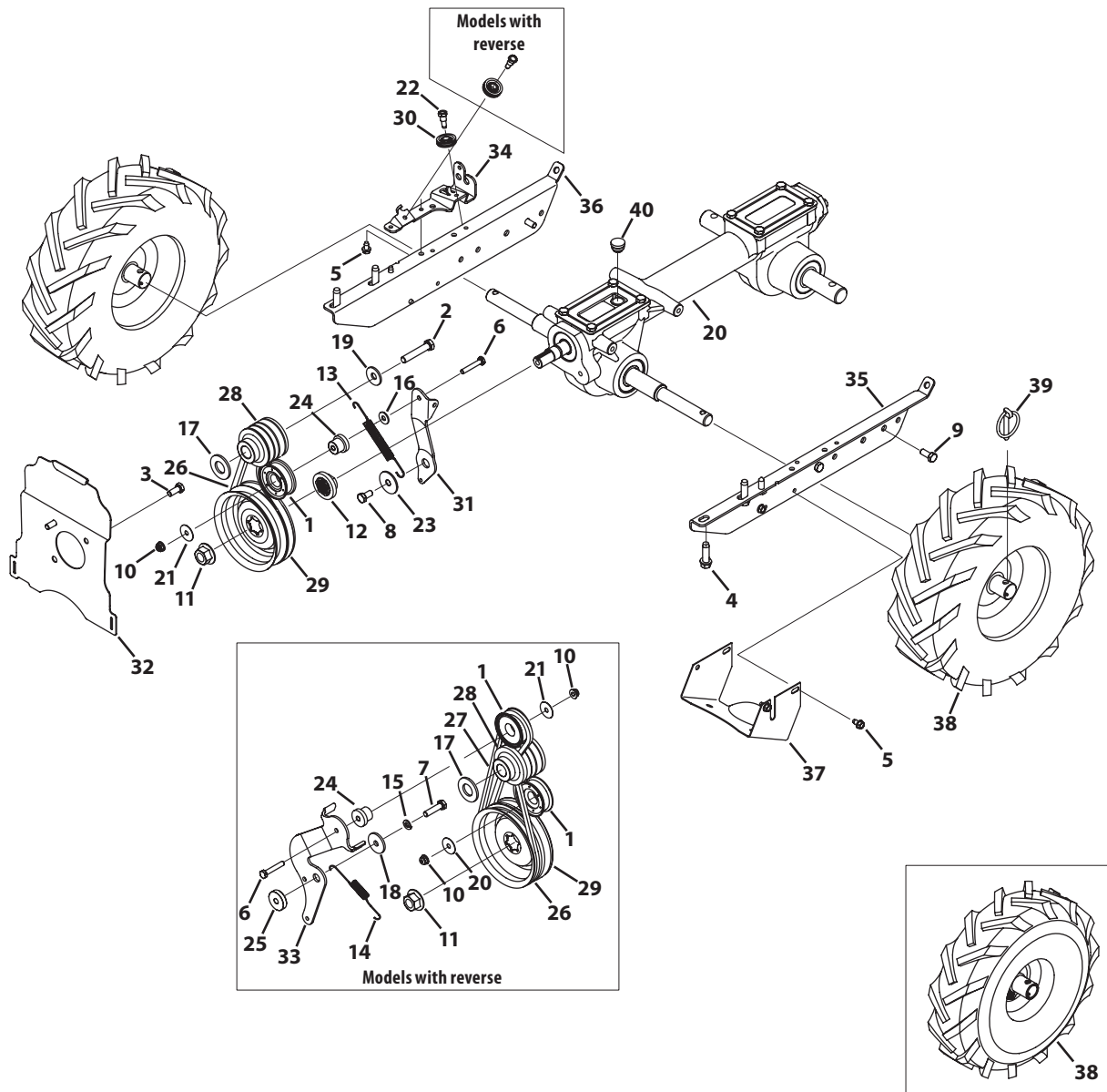


64 & 65 Series Bronco Handle, Tine Shields, and Tines

| Ref. | Part Number | Description | Ref. | Part Number | Description |
|------|----------------|--|------|----------------|---------------------------------|
| 1* | 686-04077-0638 | Tine Shield Assembly | 22 | 710-0599 | Screw, 1/4-20 x 0.500 |
| 1 | 686-04076-0638 | Tine Shield Assembly | 23 | 710-0805 | Hex Head Screw, 5/16-18 x 1.50 |
| 2 | 710-0597 | Hex Head Screw, 1/4-20 x 1.00 | 24* | 720-0270A | Reverse Handle Grip |
| 3 | 710-0604A | Screw, 5/16-18 x 0.625 | 25* | 726-0135 | Speed Nut, Cap, .3125 DIA. |
| 4 | 710-1238 | Hex Head Washer, 5/16-18 x .875 | 26* | 936-3008 | Flat Washer, .344 x .750 x .120 |
| 5 | 710-3008 | Hex Head Screw, 5/16-18 x .75 | 27 | 746-04413 | Forward Cable |
| 6 | 712-04063 | Flangelock Nut, 5/16-18 | 28* | 746-04414 | Reverse Cable |
| 7 | 712-04064 | Flangelock Nut, 1/4-20 | 29 | 747-04789-0637 | Clutch Bail |
| 8 | 712-04065 | Flangelock Nut, 3/8-16 | 30 | 749-04208-0638 | Lower Handle |
| 9 | 715-0108 | Spring Pin, 1/4 DIA x 1.00 LG | 31 | 786-04188-0638 | Support Handle Bracket |
| 10 | 732-04320 | Torsion Spring | 32 | 786-04200-0638 | Handle Panel |
| 11 | 738-04320 | Screw, Shoulder, 5/16-18 x .405 x .435 | 33 | 742-04226 | LH Bolo Tine |
| 12 | 938-0533 | Screw, Shoulder, \$r .498 x 1.635 | 34 | 742-04227 | RH Bolo Tine |
| 13 | 750-04556 | Spacer, Split, .350 x .268 x .375 | 35 | 710-0347 | Hex Head Screw, 3/8-16 x 1.75 |
| 14 | 786-04092-0638 | Stop Reverse Arm | 36 | 731-06170 | Belt Cover |
| 15 | 786-04098-0638 | Support Channel Bracket | 37 | 736-0173 | Washer, Flat, .28 x .74 x .063 |
| 16 | 786-04104-0638 | Depth Drag Bar | 38* | 710-0395 | Hex Head Screw, 5/16-18 x 2.25 |
| 17 | 786-04292-0638 | Depth Adjuster Bar | 39* | 749-04193-0637 | Bumper |
| 18 | 786-04363-0638 | LH Tail Bracket | 40 | 912-3000 | Nut, Hexlock, 3/8-16 |
| 19 | 786-04364-0638 | RH Tail Bracket | 41 | 710-0514 | Hex Head Screw, 3/8-16 x 1.00 |
| 20 | 649-04066-0638 | Upper Handle Assembly | 42* | 686-04065-0637 | Tine Holder Assembly |
| 21* | 686-04098-0638 | Reverse Handle Assembly | 42 | 686-04066 | Tine Holder Assembly |

* 65 Series

64 & 65 Series Drive System



64 & 65 Series Drive System

| Ref. | Part Number | Description |
|------|-------------|--------------------------------------|
| 1 | 684-04168 | Idler Pulley Assembly, 1.917 OD |
| 2 | 710-0151 | Hex Head Screw, 3/8-24 x 2.00 |
| 3 | 710-0170 | Hex Head Screw, 5/16-24 x .625 |
| 4 | 710-0502A | Screw, 3/8-16 x 1.250 |
| 5 | 710-0599 | Screw, 1/4-20 x 0.500 |
| 6 | 710-0606 | Hex Head Screw, 1/4-20 x 1.50 |
| 7 | 710-0672 | Hex Head Screw, 5/16-24 x 1.25 |
| 8 | 710-1880 | Hex Head Screw, 5/16-18 x .75, Patch |
| 9 | 710-3008 | Hex Head Screw, 5/16-18 x .75, Std. |
| 10 | 712-04064 | Flangelock Nut, 1/4-20 |
| 11 | 712-0700 | Flange Nut, 9/16-18 |
| 12 | 718-04407 | Pulley Hub, 5/8 SPLINE |
| 13 | 732-04085 | Extension Spring, .480 OD x 5.00 LG |
| 14 | 732-04276A | Extension Spring, LT5 PTO |
| 15 | 936-0119 | Washer, Lock, 5/16 |
| 16 | 736-0173 | Washer, Flat, .28 x .74 x .063 |
| 17 | 736-0315 | Washer, Flat, .760 x 1.50 x .120 |
| 18 | 736-0343 | Washer, Flat, .330 x 1.25 x .120 |
| 19 | 936-0452 | Washer, Bell, .396 x 1.140 x .095 |
| 20 | 753-06042 | Transmission Assembly |
| 21 | 736-3092 | Washer, Flat, .265 x 1.0 x .030 |

| Ref. | Part Number | Description |
|------|----------------|---------------------------------------|
| 22 | 738-0924A | Screw, Shoulder, 1/4-28 x .340 x .335 |
| 23 | 748-04087A | Forward Idler Pivot Spacer |
| 24 | 750-04571 | Spacer, Shoulder, .260 x .785 x .538 |
| 25 | 750-04907 | Reverse Idler Pivot Spacer |
| 26 | 1916657 | V Belt, 4L x 25.375 LG |
| 27 | 1916658 | V Belt, 3L x 29.125 LG |
| 28 | 756-04198A | Engine Pulley, 3L & 4L |
| 29 | 756-04355 | Transmission Pulley |
| 30 | 756-0625 | Cable Roller |
| 31 | 786-04312 | Forward Idler Bracket |
| 32 | 786-04343-0638 | Cover Mounting Plate |
| 33 | 786-04346 | Reverse Idler Bracket |
| 34 | 786-04357-0638 | Pulley Mounting Bracket |
| 35 | 786-04367-0638 | LH Mount Frame |
| 36 | 786-04368-0638 | RH Mount Frame |
| 37 | 786-04371-0638 | Pulley Shield |
| 38 | 934-04232 | Wheel, 13 x 5 x 6 |
| * | 934-04453 | Wheel Assembly, 11 x 4-4 |
| 39 | 714-0143A | Klik Pin, .25 DIA x 1.56 |
| 40 | 721-04271 | Oil Plug |

* 64 Series

64 & 65 Series Transmission

| Ref. | Part Number | Description |
|------|-------------|------------------------------------|
| 1 | 919-04202 | Transmission Housing |
| 2 | 710-3008 | Hex Head Screw, 5/16-18 x .75 |
| 3 | 911-04844 | Tiller Shaft |
| 4 | 911-04854 | SHF:WHL |
| 5 | 911-04882 | CRT Drive Shaft |
| 6 | 714-04059 | Key, .25 x 1.062 |
| 7 | 716-0204 | Retainer Key |
| 8 | 716-04102 | Retainer Ring |
| 9 | 917-04380 | RH Gear Worm, 61T |
| 10 | 917-04381 | LH Gear Worm, 30T |
| 11 | 918-04435 | Bearing Cover |
| 12 | 921-04030 | Oil Seal, .750 SHF x 1.783 BORE |
| 13 | 941-04298 | Cone Bearing |
| 14 | 921-04229 | Gear Housing Gasket |
| 15 | 721-04232 | Oil Seal, 1.00 SHF x 2.00 BORE |
| 16 | 721-04271 | Rubber Oil Plug |
| 17 | 736-04305 | Washer, Flat, 1.50 x 1.75 x .062 |
| 18 | 736-04306 | Washer, Flat, 1.50 x 1.75 x .005 |
| 19 | 736-04307 | Washer, Flat, 1.50 x 1.75 x .03 |
| 20 | 736-04308 | Washer, Flat, 1.50 x 1.75 x .010 |
| 21 | 736-0745 | Washer, Flat, 1.010 x 1.56 x .060 |
| 22 | 941-04299 | Cup Bearing |
| 23 | 786-04366 | Tiller Transmission Cover |
| 24 | 786-04392 | Tiller Transmission Cover |
| 25 | 741-3114 | Ball Bearing, 1 x 52 x 15 x 6205-1 |

To order replacement parts or locate your nearest service dealer call Customer Support at (800) 828-5500.
or visit www.troybilt.com to find the nearest authorized dealer in your area.

TROY-BILT LLC, P.O. BOX 361131 CLEVELAND, OHIO 44136-0019
