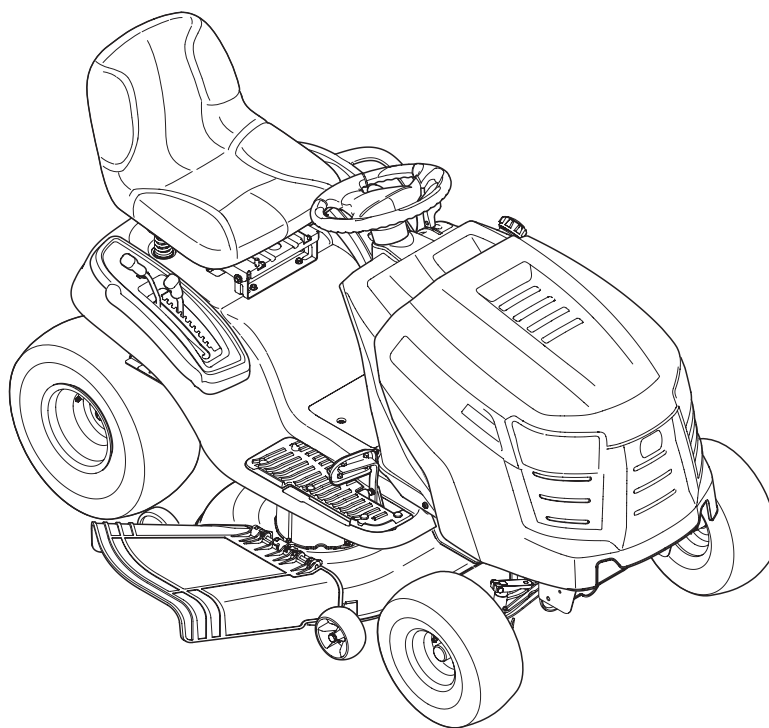


# *Cub Cadet*<sup>®</sup>

## OPERATOR'S MANUAL



### Lawn Tractor — LTX1040

**⚠ WARNING**

**READ AND FOLLOW ALL SAFETY RULES AND INSTRUCTIONS IN THIS MANUAL  
BEFORE ATTEMPTING TO OPERATE THIS MACHINE.  
FAILURE TO COMPLY WITH THESE INSTRUCTIONS MAY RESULT IN PERSONAL INJURY.**

---

CUB CADET LLC, P.O. BOX 361131 CLEVELAND, OHIO 44136-0019

---

## Thank You

Thank you for purchasing a Lawn Tractor manufactured by Cub Cadet LLC. It was carefully engineered to provide excellent performance when properly operated and maintained.

Please read this entire manual prior to operating the equipment. It instructs you how to safely and easily set up, operate and maintain your machine. Please be sure that you, and any other persons who will operate the machine, carefully follow the recommended safety practices at all times. Failure to do so could result in personal injury or property damage.

All information in this manual is relative to the most recent product information available at the time of printing. Review this manual frequently to familiarize yourself with the machine, its features and operation. Please be aware that this Operator's Manual may cover a range of product specifications for various models. Characteristics and features discussed and/or illustrated in this manual may not be applicable to all models. Cub Cadet LLC reserves the right to change product specifications, designs and equipment without notice and without incurring obligation.

If you have any problems or questions concerning the machine, phone your local Cub Cadet dealer or contact us directly. Cub Cadet's Customer Support telephone numbers, website address and mailing address can be found on this page. We want to ensure your complete satisfaction at all times.

Throughout this manual, all references to *right* and *left* side of the machine are observed from the operating position

The engine manufacturer is responsible for all engine-related issues with regards to performance, power-rating, specifications, warranty and service. Please refer to the engine manufacturer's Owner's/Operator's Manual, packed separately with your machine, for more information.

## Table of Contents

<b>Safe Operation Practices .....</b>	<b>3</b>	<b>Service .....</b>	<b>24</b>
<b>Assembly &amp; Set-Up .....</b>	<b>9</b>	<b>Troubleshooting .....</b>	<b>29</b>
<b>Controls &amp; Features.....</b>	<b>12</b>	<b>Replacement Parts .....</b>	<b>30</b>
<b>Operation.....</b>	<b>15</b>	<b>Attachments &amp; Accessories .....</b>	<b>32</b>
<b>Maintenance &amp; Adjustment.....</b>	<b>19</b>	<b>Warranty.....</b>	<b>Back Cover</b>

## Record Product Information

Before setting up and operating your new equipment, please locate the model plate on the equipment and record the information in the provided area to the right. You can locate the model plate by looking beneath the seat. This information will be necessary, should you seek technical support via our web site, Customer Support Department, or with a local authorized service dealer.

### MODEL NUMBER

--	--	--	--	--	--	--	--	--	--	--

### SERIAL NUMBER

--	--	--	--	--	--	--	--	--	--	--

## Customer Support

If you have difficulty assembling this product or have any questions regarding the controls, operation, or maintenance of this machine, you can seek help from the experts. Choose from the options below:

- ◇ Visit us on the web at [www.cubcadet.com](http://www.cubcadet.com)
- ◇ Call a Customer Support Representative at (800) 965-4CUB
- ◇ Locate your nearest Cub Cadet Dealer at (877) 282-8684
- ◇ Write us at Cub Cadet LLC • P.O. Box 361131 • Cleveland, OH • 44136-0019



**WARNING!** This symbol points out important safety instructions which, if not followed, could endanger the personal safety and/or property of yourself and others. Read and follow all instructions in this manual before attempting to operate this machine. Failure to comply with these instructions may result in personal injury.

When you see this symbol. **HEED ITS WARNING!**

## CALIFORNIA PROPOSITION 65



**WARNING!** Engine Exhaust, some of its constituents, and certain vehicle components contain or emit chemicals known to State of California to cause cancer and birth defects or other reproductive harm.



**WARNING!** Battery posts, terminals, and related accessories contain lead and lead compounds, chemicals known to the State of California to cause cancer and reproductive harm. *Wash hands after handling*



**DANGER!** This machine was built to be operated according to the safe operation practices in this manual. As with any type of power equipment, carelessness or error on the part of the operator can result in serious injury. This machine is capable of amputating hands and feet and throwing objects. Failure to observe the following safety instructions could result in serious injury or death.

## General Operation

1. Read, understand, and follow all instructions on the machine and in the manual(s) before attempting to assemble and operate. Keep this manual in a safe place for future and regular reference and for ordering replacement parts.
2. Be familiar with all controls and their proper operation. Know how to stop the machine and disengage them quickly.
3. Never allow children under 14 years of age to operate this machine. Children 14 and over should read and understand the instructions and safe operation practices in this manual and on the machine and should be trained and supervised by an adult.
4. Never allow adults to operate this machine without proper instruction.
5. To help avoid blade contact or a thrown object injury, keep bystanders, helpers, children and pets at least 75 feet from the machine while it is in operation. Stop machine if anyone enters the area.
6. Thoroughly inspect the area where the equipment is to be used. Remove all stones, sticks, wire, bones, toys, and other foreign objects which could be picked up and thrown by the blade(s). Thrown objects can cause serious personal injury.
7. Plan your mowing pattern to avoid discharge of material toward roads, sidewalks, bystanders and the like. Also, avoid discharging material against a wall or obstruction which may cause discharged material to ricochet back toward the operator.
8. Always wear safety glasses or safety goggles during operation and while performing an adjustment or repair to protect your eyes. Thrown objects which ricochet can cause serious injury to the eyes.
9. Wear sturdy, rough-soled work shoes and close-fitting slacks and shirts. Loose fitting clothes and jewelry can be caught in movable parts. Never operate this machine in bare feet or sandals.
10. Be aware of the mower and attachment discharge direction and do not point it at anyone. Do not operate the mower without the discharge cover or entire grass catcher in its proper place.
11. Do not put hands or feet near rotating parts or under the cutting deck. Contact with the blade(s) can amputate hands and feet.

12. A missing or damaged discharge cover can cause blade contact or thrown object injuries.
13. Stop the blade(s) when crossing gravel drives, walks, or roads and while not cutting grass.
14. Watch for traffic when operating near or crossing roadways. This machine is not intended for use on any public roadway.
15. Do not operate the machine while under the influence of alcohol or drugs.
16. Mow only in daylight or good artificial light.
17. Never carry passengers.
18. Disengage blade(s) before shifting into reverse. Back up slowly. Always look down and behind before and while backing to avoid a back-over accident.
19. Slow down before turning. Operate the machine smoothly. Avoid erratic operation and excessive speed.
20. Disengage blade(s), set parking brake, stop engine and wait until the blade(s) come to a complete stop before removing grass catcher, emptying grass, unclogging chute, removing any grass or debris, or making any adjustments.
21. Never leave a running machine unattended. Always turn off blade(s), place transmission in neutral, set parking brake, stop engine and remove key before dismounting.
22. Use extra care when loading or unloading the machine into a trailer or truck. This machine should not be driven up or down ramp(s), because the machine could tip over, causing serious personal injury. The machine must be pushed manually on ramp(s) to load or unload properly.
23. Muffler and engine become hot and can cause a burn. Do not touch.
24. Check overhead clearances carefully before driving under low hanging tree branches, wires, door openings etc., where the operator may be struck or pulled from the machine, which could result in serious injury.
25. Disengage all attachment clutches, depress the brake pedal completely and shift into neutral before attempting to start engine.
26. Your machine is designed to cut normal residential grass of a height no more than 10". Do not attempt to mow through unusually tall, dry grass (e.g., pasture) or piles of dry leaves. Dry grass or leaves may contact the engine exhaust and/or build up on the mower deck presenting a potential fire hazard.
27. Use only accessories and attachments approved for this machine by the machine manufacturer. Read, understand and follow all instructions provided with the approved accessory or attachment.
28. Data indicates that operators, age 60 years and above, are involved in a large percentage of riding mower-related injuries. These operators should evaluate their ability to operate the riding mower safely enough to protect themselves and others from serious injury.
29. If situations occur which are not covered in this manual, use care and good judgment. Contact your customer service representative for assistance.

## Slope Operation

Slopes are a major factor related to loss of control and tip-over accidents which can result in severe injury or death. All slopes require extra caution. If you cannot back up the slope or if you feel uneasy on it, do not mow it.

For your safety, use the slope gauge included as part of this manual to measure slopes before operating this machine on a sloped or hilly area. If the slope is greater than 15 degrees as shown on the slope gauge, do not operate this machine on that area or serious injury could result.

### Do:

1. Mow up and down slopes, not across. Exercise extreme caution when changing direction on slopes.
2. Watch for holes, ruts, bumps, rocks, or other hidden objects. Uneven terrain could overturn the machine. Tall grass can hide obstacles.
3. Use slow speed. Choose a low enough speed setting so that you will not have to stop or shift while on the slope. Tires may lose traction on slopes even though the brakes are functioning properly. Always keep machine in gear when going down slopes to take advantage of engine braking action.
4. Follow the manufacturer's recommendations for wheel weights or counterweights to improve stability.
5. Use extra care with grass catchers or other attachments. These can change the stability of the machine.
6. Keep all movement on the slopes slow and gradual. Do not make sudden changes in speed or direction. Rapid engagement or braking could cause the front of the machine to lift and rapidly flip over backwards which could cause serious injury.
7. Avoid starting or stopping on a slope. If tires lose traction, disengage the blade(s) and proceed slowly straight down the slope.

### Do Not:

1. Do not turn on slopes unless necessary; then, turn slowly and gradually downhill, if possible.
2. Do not mow near drop-offs, ditches or embankments. The mower could suddenly turn over if a wheel is over the edge of a cliff, ditch, or if an edge caves in.
3. Do not try to stabilize the machine by putting your foot on the ground.
4. Do not use a grass catcher on steep slopes.
5. Do not mow on wet grass. Reduced traction could cause sliding.
6. Do not shift to neutral and coast downhill. Over-speeding may cause the operator to lose control of the machine resulting in serious injury or death.
7. Do not tow heavy pull behind attachments (e.g. loaded dump cart, lawn roller, etc.) on slopes greater than 5 degrees. When going down hill, the extra weight tends to push the tractor and may cause you to lose control (e.g. tractor may speed up, braking and steering ability are reduced, attachment may jack-knife and cause tractor to overturn).

## Children

1. Tragic accidents can occur if the operator is not alert to the presence of children. Children are often attracted to the machine and the mowing activity. They do not understand the dangers. Never assume that children will remain where you last saw them.
  - a. Keep children out of the mowing area and in watchful care of a responsible adult other than the operator.
  - b. Be alert and turn machine off if a child enters the area.
  - c. Before and while backing, look behind and down for small children.
  - d. Never carry children, even with the blade(s) shut off. They may fall off and be seriously injured or interfere with safe machine operation.
  - e. Use extreme care when approaching blind corners, doorways, shrubs, trees or other objects that may block your vision of a child who may run into the path of the machine.
  - f. **To avoid back-over accidents, always disengage the cutting blade(s) before shifting into Reverse. If equipped, the "Reverse Caution Mode" should not be used when children or others are around.**
  - g. Keep children away from hot or running engines. They can suffer burns from a hot muffler.
  - h. Remove key when machine is unattended to prevent unauthorized operation.
2. Never allow children under 14 years of age to operate this machine. Children 14 and over should read and understand the instructions and safe operation practices in this manual and on the machine and should be trained and supervised by an adult.

## Towing

1. Tow only with a machine that has a hitch designed for towing. Do not attach towed equipment except at the hitch point.
2. Follow the manufacturer's recommendation for weight limits for towed equipment and towing on slopes.
3. Never allow children or others in or on towed equipment.
4. On slopes, the weight of the towed equipment may cause loss of traction and loss of control.
5. Always use extra caution when towing with a machine capable of making tight turns (e.g. "zero-turn" ride-on mower). Make wide turns to avoid jack-knifing.
6. Travel slowly and allow extra distance to stop.
7. Do not shift to neutral and coast downhill.

## Service

### Safe Handling of Gasoline:

1. To avoid personal injury or property damage use extreme care in handling gasoline. **Gasoline is extremely flammable and the vapors are explosive.** Serious personal injury can occur when gasoline is spilled on yourself or your clothes which can ignite. Wash your skin and change clothes immediately.
  - a. Use only an approved gasoline container.
  - b. Never fill containers inside a vehicle or on a truck or trailer bed with a plastic liner. Always place containers on the ground away from your vehicle before filling.
  - c. When practical, remove gas-powered equipment from the truck or trailer and refuel it on the ground. If this is not possible, then refuel such equipment on a trailer with a portable container, rather than from a gasoline dispenser nozzle.
  - d. Keep the nozzle in contact with the rim of the fuel tank or container opening at all times until fueling is complete. Do not use a nozzle lock-open device.
  - e. Extinguish all cigarettes, cigars, pipes and other sources of ignition.
  - f. Never fuel machine indoors.
  - g. Never remove gas cap or add fuel while the engine is hot or running. Allow engine to cool at least two minutes before refueling.
  - h. Never over fill fuel tank. Fill tank to no more than ½ inch below bottom of filler neck to allow space for fuel expansion.
  - i. Replace gasoline cap and tighten securely.
  - j. If gasoline is spilled, wipe it off the engine and equipment. Move machine to another area. Wait 5 minutes before starting the engine.
  - k. To reduce fire hazards, keep machine free of grass, leaves, or other debris build-up. Clean up oil or fuel spillage and remove any fuel soaked debris.
  - l. Never store the machine or fuel container inside where there is an open flame, spark or pilot light as on a water heater, space heater, furnace, clothes dryer or other gas appliances.
  - m. Allow a machine to cool at least five minutes before storing.

### General Service

1. Never run an engine indoors or in a poorly ventilated area. Engine exhaust contains carbon monoxide, an odorless, and deadly gas.
2. Before cleaning, repairing, or inspecting, make certain the blade(s) and all moving parts have stopped. Disconnect the spark plug wire and ground against the engine to prevent unintended starting.

3. Periodically check to make sure the blades come to complete stop within approximately (5) five seconds after operating the blade disengagement control. If the blades do not stop within the this time frame, your machine should be serviced professionally by an authorized MTD Service Dealer.
4. Check brake operation frequently as it is subjected to wear during normal operation. Adjust and service as required.
5. Check the blade(s) and engine mounting bolts at frequent intervals for proper tightness. Also, visually inspect blade(s) for damage (e.g., excessive wear, bent, cracked). Replace the blade(s) with the original equipment manufacturer's (O.E.M.) blade(s) only, listed in this manual. "Use of parts which do not meet the original equipment specifications may lead to improper performance and compromise safety!"
6. Mower blades are sharp. Wrap the blade or wear gloves, and use extra caution when servicing them.
7. Keep all nuts, bolts, and screws tight to be sure the equipment is in safe working condition.
8. Never tamper with the safety interlock system or other safety devices. Check their proper operation regularly.
9. After striking a foreign object, stop the engine, disconnect the spark plug wire(s) and ground against the engine. Thoroughly inspect the machine for any damage. Repair the damage before starting and operating.
10. Never attempt to make adjustments or repairs to the machine while the engine is running.
11. Grass catcher components and the discharge cover are subject to wear and damage which could expose moving parts or allow objects to be thrown. For safety protection, frequently check components and replace immediately with original equipment manufacturer's (O.E.M.) parts only, listed in this manual. "Use of parts which do not meet the original equipment specifications may lead to improper performance and compromise safety!"
12. Do not change the engine governor settings or over-speed the engine. The governor controls the maximum safe operating speed of the engine.
13. Maintain or replace safety and instruction labels, as necessary.
14. Observe proper disposal laws and regulations for gas, oil, etc. to protect the environment.
15. According to the Consumer Products Safety Commission (CPSC) and the U.S. Environmental Protection Agency (EPA), this product has an *Average Useful Life* of seven (7) years, or 270 hours of operation. At the end of the *Average Useful Life* have the machine inspected annually by an authorized service dealer to ensure that all mechanical and safety systems are working properly and not worn excessively. Failure to do so can result in accidents, injuries or death.

## Do not modify engine

To avoid serious injury or death, do not modify engine in any way. Tampering with the governor setting can lead to a runaway engine and cause it to operate at unsafe speeds. Never tamper with factory setting of engine governor.

## Notice Regarding Emissions

Engines which are certified to comply with California and federal EPA emission regulations for SORE (Small Off Road Equipment) are certified to operate on regular unleaded gasoline, and may include the following emission control systems: Engine Modification (EM), Oxidizing Catalyst (OC), Secondary Air Injection (SAI) and Three Way Catalyst (TWC) if so equipped.

## Spark Arrestor



**WARNING!** This machine is equipped with an internal combustion engine and should not be used on or near any unimproved forest-covered, brushcovered or grass-covered land unless the engine's exhaust system is equipped with a spark arrester meeting applicable local or state laws (if any).

If a spark arrester is used, it should be maintained in effective working order by the operator. In the State of California the above is required by law (Section 4442 of the California Public Resources Code). Other states may have similar laws. Federal laws apply on federal lands.

A spark arrester for the muffler is available through your nearest engine authorized service dealer or contact the service department, P.O. Box 361131 Cleveland, Ohio 44136-0019.












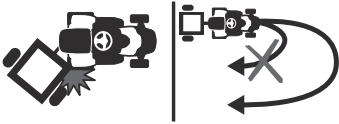
**WARNING!** Your Responsibility—Restrict the use of this power machine to persons who read, understand and follow the warnings and instructions in this manual and on the machine.

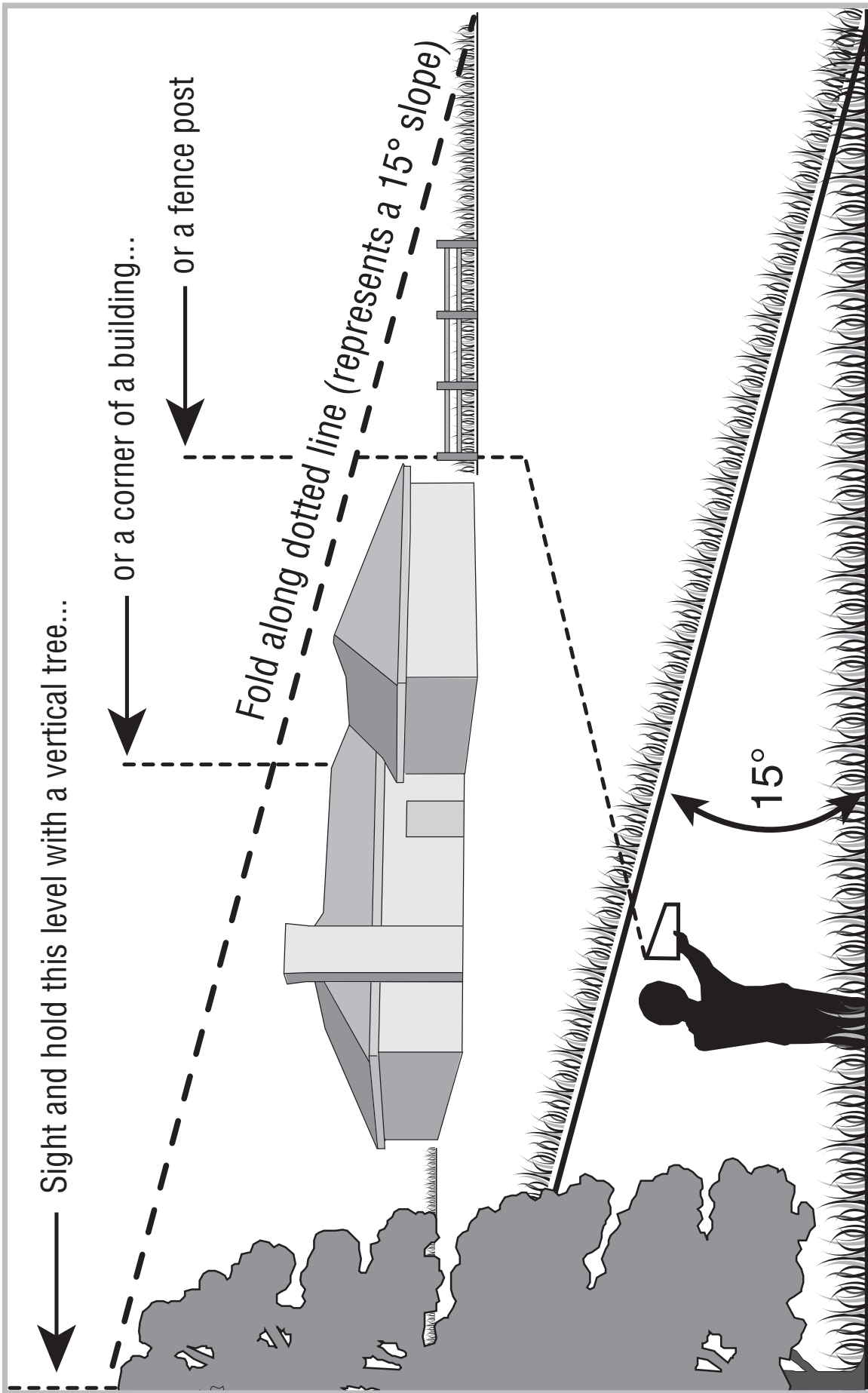
**SAVE THESE INSTRUCTIONS!**



## Safety Symbols

This page depicts and describes safety symbols that may appear on this product. Read, understand, and follow all instructions on the machine before attempting to assemble and operate.

Symbol	Description
	<b>READ THE OPERATOR'S MANUAL(S)</b> Read, understand, and follow all instructions in the manual(s) before attempting to assemble and operate
	<b>DANGER— ROTATING BLADES</b> Never carry passengers. Never carry children, even with the blades off.
	<b>DANGER— ROTATING BLADES</b> Always look down and behind before and while backing to avoid a back-over accident.
	<b>WARNING— ROTATING BLADES</b> Do not put hands or feet near rotating parts or under the cutting deck. Contact with the blade(s) can amputate hands and feet.
	<b>WARNING—THROWN OBJECTS</b> This machine may pick up and throw and objects which can cause serious personal injury.
	<b>WARNING—THROWN OBJECTS</b> This machine may pick up and throw and objects which can cause serious personal injury.
	<b>BYSTANDERS</b> Keep bystanders, helpers, children and pets at least 75 feet from the machine while it is in operation.
	<b>WARNING— SLOPE OPERATION</b> Do not operate this machine on a slope greater than 15 degrees.
	<b>WARNING— HOT SURFACE</b> Engine parts, especially the muffler, become extremely hot during operation. Allow engine and muffler to cool before touching.
	<b>DANGER — ROTATING BLADES</b> To reduce the risk of injury, keep hands and feet away. Do not operate unless discharge cover or grass catcher is in its proper place. If damaged, replace immediately.
	<b>WARNING— TOWING</b> Avoid jack-knifing when towing, go slow and make wide turns.



**Use this page as a guide to determine slopes where you may not operate safely.**



**WARNING!** Do not operate your lawn mower on such slopes. Do not mow on inclines with a slope in excess of 15 degrees (a rise of approximately 2-1/2 feet every 10 feet). A riding mower could overturn and cause serious injury. Operate riding mowers up and down slopes, never across the face of slopes.



## Contents of Crate

- One Lawn Tractor
- One Oil Drain Tube
- One Deck Wash Hose Coupler
- One Lawn Tractor Operator's Manual
- One Kohler Engine Operator's Manual

## Tractor Set-Up

### Moving The Tractor Manually

To move the tractor manually, move the shift lever into the neutral position.

### Shipping Brace Removal



**WARNING!** Make sure the lawn tractor's engine is off, set the parking brake and remove the ignition key before removing the shipping brace.

1. Locate the shipping brace, if present, and warning tag found on the right side of the cutting deck. See Fig. 3-1.

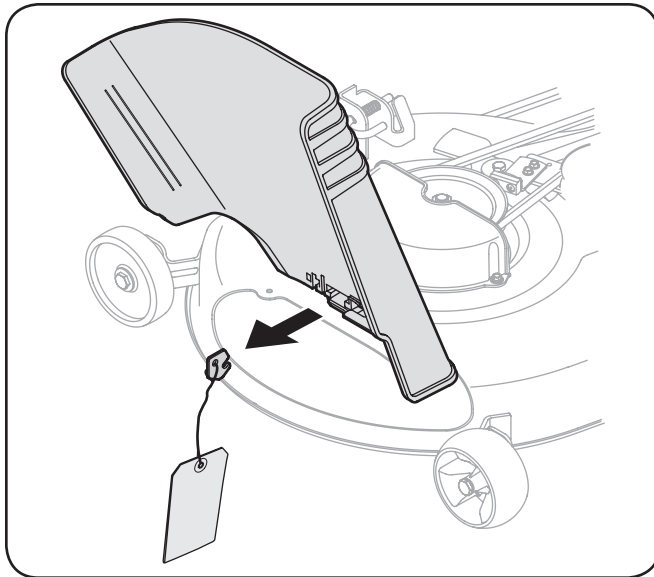


Figure 3-1

2. While holding the discharge chute with your left hand, remove the shipping brace with your right hand by grasping it between your thumb and index finger and rotating it clockwise.



**WARNING!** The shipping brace is used for packaging purposes only. Remove and discard the shipping brace before operating your lawn tractor.



**WARNING!** The mowing deck is capable of throwing objects. Failure to operate the riding mower without the discharge cover in the proper operating position could result in serious personal injury and/or property damage.

## Connecting the Battery Cables



### CALIFORNIA PROPOSITION 65 WARNING!

Battery posts, terminals, and related accessories contain lead and lead compounds, chemicals known to the State of California to cause cancer and reproductive harm. Wash hands after handling.



**CAUTION:** When attaching battery cables, always connect the POSITIVE (Red) wire to its terminal first, followed by the NEGATIVE (Black) wire.

To connect the battery cables, proceed as follows:

**NOTE:** The positive battery terminal is marked Pos. (+). The negative battery terminal is marked Neg. (-).

1. Remove the plastic cover, if present, from the positive battery terminal and attach the red cable to the positive (+) battery terminal with the bolt and hex nut. See Fig. 3-2.

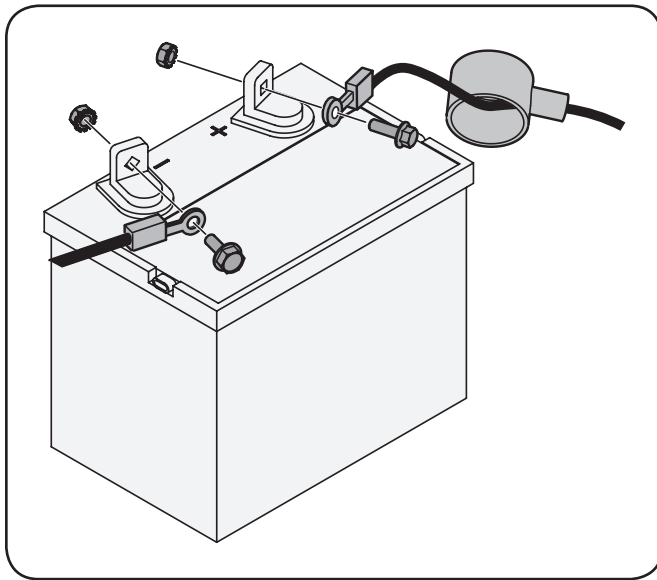


Figure 3-2

2. Remove the plastic cover, if present, from the negative (-) battery terminal and attach the black cable to the negative (-) battery terminal with the bolt and hex nut. See Fig. 3-2.
3. Position the red rubber boot over the positive battery terminal to help protect it from corrosion.

**NOTE:** If the battery is put into service after the date shown on top/side of battery, charge the battery as instructed in the Maintenance section your Operator's Manual prior to operating the tractor.

## Checking Tire Pressure



**WARNING!** Do not overinflate tires. Check sidewall of tires for maximum psi. Equal tire pressure should be maintained at all times.

The tires on your tractor may be over inflated for shipping purposes. Reduce the tire pressure before operating the tractor. Check sidewall of tires for maximum psi.

## Setting the Deck Gauge Wheels

Move the tractor on a firm and level surface, preferably pavement, and proceed as follows

1. Select the height position of the cutting deck by placing the deck lift lever in the normally desired mowing height setting (any of the six different cutting height notches on the right fender).
2. Check the gauge wheels for contact or excessive clearance with the surface below. The deck gauge wheels should have between  $\frac{1}{4}$ " and  $\frac{1}{2}$ " clearance above the ground:
3. If the gauge wheels have excessive clearance or contact with the surface, adjust as follows:
  - a. Raise the deck lift handle to its highest setting.
  - b. Remove the front and rear gauge wheels by removing the lock nuts and shoulder screws which secure them to the deck. See Fig. 3-3.

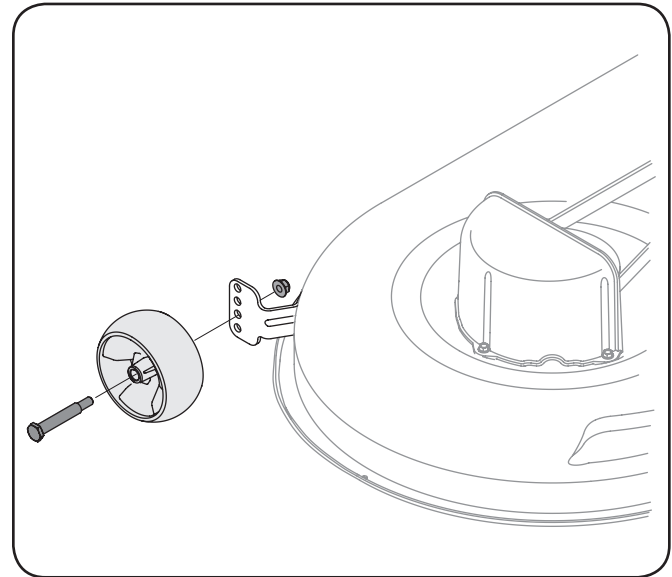


Figure 3-3

- c. Place the deck lift lever in the desired mowing height setting.
- d. Reinsert the shoulder screw (with each gauge wheel) into the index hole that leaves approximately  $\frac{1}{2}$ " between the bottom of the wheel and the pavement.

Refer to Leveling the Deck in the Maintenance section of this manual for more detailed instructions regarding various deck adjustments.

## Adjusting the Seat

To adjust the position of the seat, pull up and hold the seat adjustment lever. Slide the seat forward or rearward to the desired position; then release the adjustment lever. Make sure seat is locked into position before operating the tractor. See Fig. 3-4.

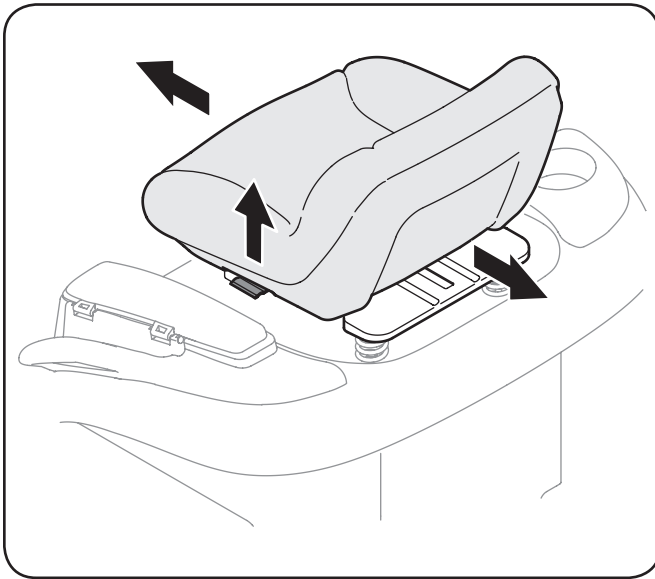


Figure 3-4



**WARNING!** Before operating the tractor, make sure the seat is engaged in the seat-stop. Engage the parking brake. Stand behind the machine and pull back on seat until it clicks into place.

## Gas and Oil

The fuel tank is located under the hood and has a capacity of three and-a-half gallons. Remove the fuel cap by turning it counterclockwise. Use only clean, fresh (no more than 30 days old), unleaded gasoline. Do not overfill the tank.

For California models equipped with a tethered, ratcheting cap, STOP filling tank once fuel is seen inside the filler neck. This ensures that a proper expansion volume is created. Do NOT top off tank. See Figure 3-5.

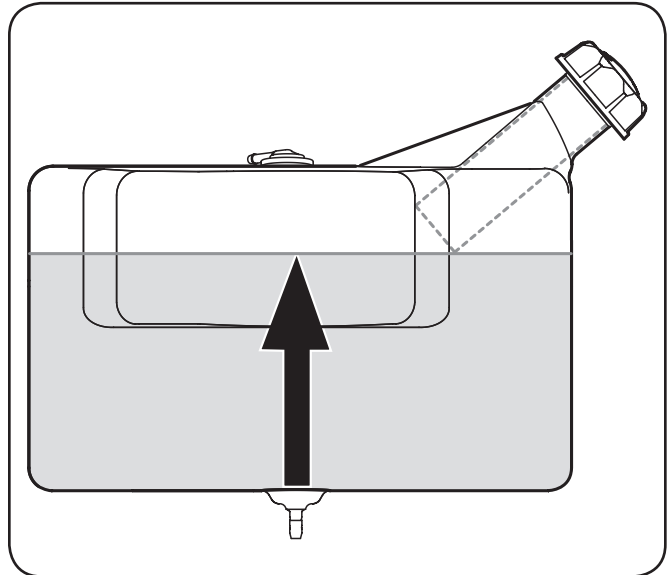


Figure 3-5



**WARNING!** Use extreme care when handling gasoline. Gasoline is extremely flammable and the vapors are explosive. Never fuel the machine indoors or while the engine is hot or running. Extinguish cigarettes, cigars, pipes and other sources of ignition.

**NOTE:** Your tractor is shipped with oil in the engine. However, you MUST check the oil level before operating.



**CAUTION:** Always check the engine oil level before each use as instructed in the Kohler Owner's Manual. Add oil as necessary. Failure to do so may result in serious damage to your engine.

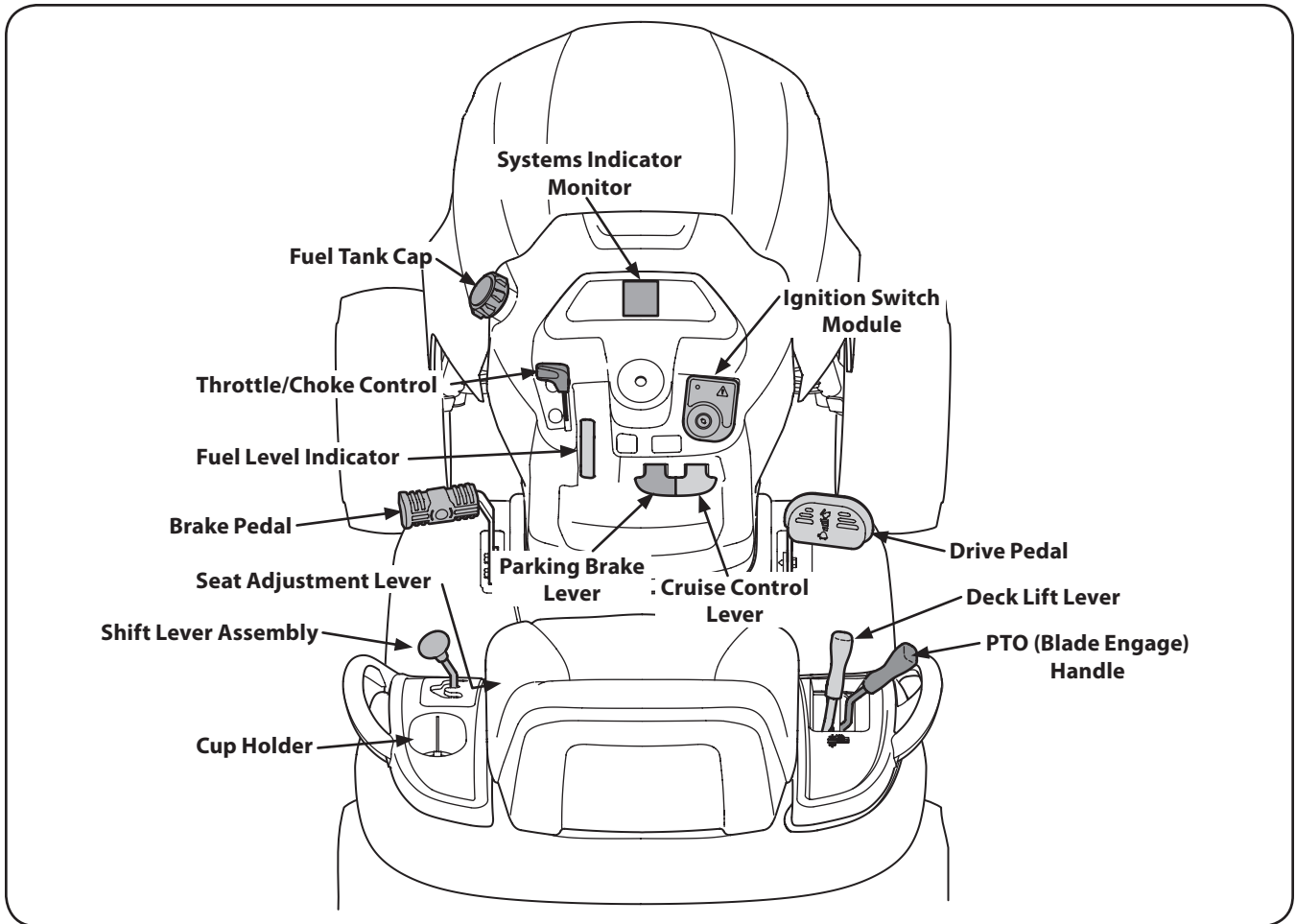


Figure 4-1

Lawn Tractor controls and features are illustrated in Fig. 4-1 and described on the following pages.



**WARNING!** Read and follow all safety rules and instructions in this manual, including the entire Operation section, before attempting to operate this machine. Failure to comply with all safety rules and instructions may result in personal injury.

## Throttle/Choke Control

The throttle/choke control is located on the right side of the tractor's dash panel. This lever controls the speed of the engine and, when pushed all the way forward, closes the choke for cold starting. When set in a given position, the throttle will maintain a uniform engine speed.

**NOTE:** When operating the tractor with the cutting deck engaged, be certain that the throttle/choke control is always in the FAST (rabbit) position.



## Brake Pedal

The brake pedal is located on the left front side of the tractor along the running board. The brake pedal can be used for sudden stops or setting the parking brake.

**NOTE:** The brake pedal must be fully depressed to activate the safety interlock switch when starting the tractor.

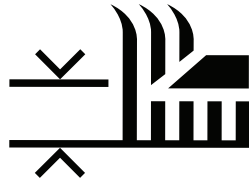


## Seat Adjustment Lever

The seat adjustment lever is located under the front of the seat. To adjust the seat forward or backward, slide the seat adjustment lever to the left and reposition the seat to the desired position. Once a comfortable position is found, release the seat adjustment lever to lock the seat in place. Refer to the Assembly and Set-Up section of this manual for more detailed instructions.

## Deck Lift Lever

Found on your tractor's right fender, the deck lift lever is used to change the height of the cutting deck. To use, move the lever to the left, then place in the notch best suited for your application.



## Ignition Switch Module



**WARNING!** Never leave a running machine unattended. Always disengage PTO, set parking brake, stop engine and remove key to prevent unintended starting.

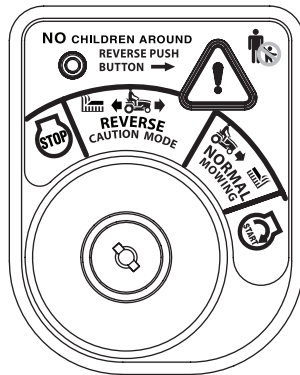
To start the engine, insert the key into the ignition switch and turn clockwise to the START position.

Release the key into the NORMAL MOWING MODE position once the engine has fired.

To stop the engine, turn the ignition key counterclockwise to the STOP position.



**CAUTION:** Prior to operating the tractor, refer to both Safety Interlock Switches and Starting The Engine in the Operation section of this manual for detailed instructions regarding the Ignition Switch Module and operating the tractor in REVERSE CAUTION MODE.



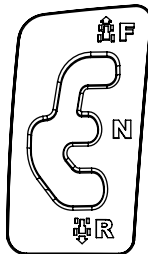
## Drive Pedal

The drive pedal is located on the right side of the tractor, along the running board. Press the drive pedal forward to cause the tractor to travel forward. Ground speed is also controlled with the drive pedal. The further forward that the pedal is pivoted, the faster the tractor will travel. The pedal will return to its original position when it's not pressed.

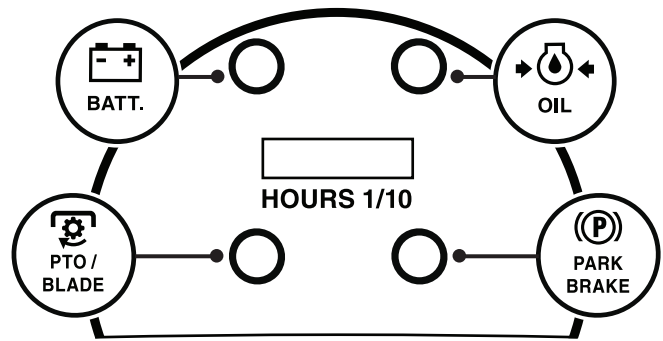


## Shift Lever

The Shift Lever is used to shift the tractor's drive from Forward, Reverse and Neutral.



## Systems Indicator Monitor/ Hour Meter LCD



When the ignition key is rotated out of the STOP position but not into the START position, the system's indicator monitor displays the battery's output, in volts, on its LCD for approximately five seconds, after which it displays an hour glass and the hours of tractor operation. Once the tractor is started, the monitor continually displays an hour glass and the hours of tractor operation on its LCD.

**NOTE:** Hours of tractor operation are recorded any time the ignition key is rotated out of the STOP position, regardless of whether the engine is started.

The Indicator Monitor will also remind the operator of maintenance intervals for changing the engine oil. The LCD will alternately flash the recorded hours, "CHG" and "OIL" for five minutes, after every 50 hours of recorded operation elapse. The maintenance interval lasts for two hours (from 50-52, 100-102, 150-152, etc.). The LCD will also flash as described above for five minutes every time the tractor's engine has been started during this maintenance interval. Before the interval expires, change the engine oil as instructed in the Maintenance section of this Operator's Manual.

### Brake

If the Brake light illuminates when attempting to start the tractor's engine, depress the brake pedal.

### PTO (Blade Engage)

If the PTO light illuminates when attempting to start the tractor's engine, move PTO lever into the disengaged (OFF) position.

### Oil

It is normal for the Oil light to illuminate while the engine is cranking during start-up, but if it illuminates during operation, while the engine is running, stop the tractor immediately and check the engine oil level as instructed in this Owner's Manual.

### Battery

It is normal for the Battery light to illuminate while the engine is cranking during start-up, but if it illuminates during operation, while the engine is running, the battery is in need of a charge or the engine's charging system is not generating sufficient amperage. Charge the battery as instructed in the Service section of this manual or have the charging system checked by your Cub Cadet dealer.

## Fuel Level Indicator

The Fuel Level Indicator is located on the left side of the tractor's dash and indicates the amount of fuel in the gas tank.



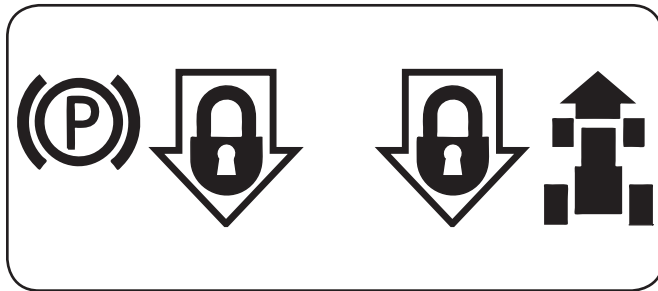
## PTO / Blade Engage Handle



Activating the PTO engages power to the cutting deck or other (separately available) attachments. Push forward on the PTO/Blade Engage handle to activate it. Pull the PTO/ Blade Engage handle back to disengage the power to the cutting deck or other (separately available) attachments.

**NOTE:** The PTO/Blade Engage handle must be in the disengaged (OFF) position when starting the engine.

## Parking Brake/ Cruise Control Lever



Located in the center of the tractor's dash panel below the steering wheel, the Parking Brake/Cruise Control lever is used to engage the parking brake and the cruise control. Refer to the Operation section of this manual for detailed instructions regarding the parking brake.

**NOTE:** The parking brake must be set if the operator leaves the seat with the engine running or the engine will automatically shut off.

**NOTE:** Cruise control can NOT be engaged at the tractor's fastest ground speed. If the operator should attempt to do so, the tractor will automatically decelerate to the fastest optimal mowing ground speed.



**WARNING!** Never leave a running machine unattended. Always disengage PTO, set parking brake, stop engine and remove key to prevent unintended starting.



## **WARNING**

### **TO AVOID SERIOUS INJURY OR DEATH**

- **GO UP AND DOWN SLOPES, NOT ACROSS.**
- **AVOID SUDDEN TURNS.**
- **DO NOT OPERATE THE UNIT WHERE IT COULD SLIP OR TIP.**
- **IF MACHINE STOPS GOING UPHILL, STOP BLADE(S) AND BACK DOWNHILL SLOWLY.**
- **KEEP SAFETY DEVICES (GUARDS, SHIELDS, AND SWITCHES, ETC.) IN PLACE AND WORKING.**
- **REMOVE OBJECTS THAT COULD BE THROWN BY THE BLADE(S).**
- **KNOW LOCATION AND FUNCTION OF ALL CONTROLS.**
- **BE SURE BLADE(S) AND ENGINE ARE STOPPED BEFORE PLACING HANDS OR FEET NEAR BLADE(S).**
- **BEFORE LEAVING OPERATOR'S POSITION, DISENGAGE BLADE(S), ENGAGE PARKING BRAKE, SHUT OFF AND REMOVE KEY.**

**READ OPERATOR'S MANUAL**

### Safety Interlock Switches

This tractor is equipped with a safety interlock system for the protection of the operator. If the interlock system should ever malfunction, do not operate the tractor. Contact your Cub Cadet dealer.

- The safety interlock system prevents the engine from cranking or starting unless the parking brake is engaged, and the PTO (Blade Engage) lever is in the disengaged (OFF) position.
- The engine will automatically shut off if the operator leaves the seat before engaging the parking brake.
- The PTO (Blade Engage) clutch will automatically shut off if the operator leaves the tractor's seat with the PTO (Blade Engage) lever in the engaged (ON) position, regardless of whether the parking brake is engaged.
- With the ignition key in the NORMAL MOWING position, the PTO (Blade Engage) clutch will automatically shut off if the PTO (Blade Engage) lever is moved into the engaged (ON) position with the shift lever in position for reverse travel.



**WARNING!** Do not operate the tractor if the interlock system is malfunctioning. This system was designed for your safety and protection.

### Starting the Engine



**WARNING!** Do not operate the tractor if the interlock system is malfunctioning. This system was designed for your safety and protection.

**NOTE:** Refer to the Assembly & Set-Up section of this manual for Gasoline and Oil fill-up instructions.

1. Insert the tractor key into the ignition switch module.
2. Place the PTO (Blade Engage) lever in the disengaged (OFF) position.
3. Engage the tractor's parking brake.
4. Activate the choke control by moving the throttle/choke control all the way forward into the choke position.
5. Turn the ignition key clockwise to the START position. After the engine starts, release the key. It will return to the NORMAL MOWING position.



**CAUTION:** Do NOT hold the key in the START position for longer than ten seconds at a time. Doing so may cause damage to your engine's electric starter.

6. After the engine starts, deactivate the choke control.

**NOTE:** Do NOT leave the choke control on while operating the tractor. Doing so will result in a "rich" fuel mixture and cause the engine to run poorly.

### Stopping the Engine



**WARNING!** If you strike a foreign object, stop the engine and disconnect the spark plug wire(s). Thoroughly inspect the machine for any damage. Repair the damage before restarting and operating.

1. If the blades are engaged, place the PTO/Blade Engage lever in the disengaged (OFF) position.
2. Place the throttle/choke control near the SLOW position.
3. Turn the ignition key counterclockwise to the STOP position.
4. Remove the key from the ignition switch to prevent unintended starting.

## Driving The Tractor



**WARNING!** Avoid sudden starts, excessive speed and sudden stops.

1. Lightly press the brake pedal to release the parking brake. Move the throttle lever into the FAST (rabbit) position.
2. To travel FORWARD, slowly press the drive pedal forward until the desired speed is achieved. See Fig. 5-1.

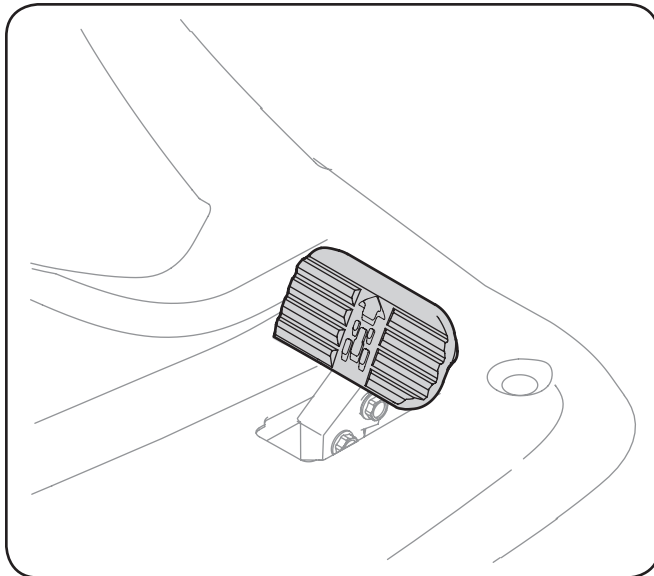


Figure 5-1

3. To travel in REVERSE, check that the area behind is clear, and with your tractor parking break on, move the shift lever into the reverse position. Lightly press the brake pedal to release the parking break and then slowly press the drive pedal until the desired speed is achieved.



**CAUTION:** Do NOT attempt to change the direction of travel when the tractor is in motion. Always bring the tractor to a complete stop before moving the shift lever from forward to reverse or vice versa.



**WARNING!** Do not leave the seat of the tractor without first placing the PTO/Blade Engage lever in the disengaged (OFF) position and engaging the parking brake. If leaving the tractor unattended, also turn the engine off and remove the ignition key.

## Reverse Caution Mode

The REVERSE CAUTION MODE position of the key switch module allows the tractor to be operated in reverse with the blades (PTO) engaged.

**NOTE:** Mowing in reverse is not recommended.



**WARNING!** Use extreme caution while operating the tractor in the REVERSE CAUTION MODE. Always look down and behind before and while backing. Do not operate the tractor when children or others are around. Stop the tractor immediately if someone enters the area.

To use the REVERSE CAUTION MODE:

**NOTE:** The operator MUST be seated in the tractor seat.

1. Start the engine as previously instructed on the previous page.
2. Turn the key from the NORMAL MOWING (Green) position to the REVERSE CAUTION MODE (Yellow) position of the key switch module. See Fig. 5-2.

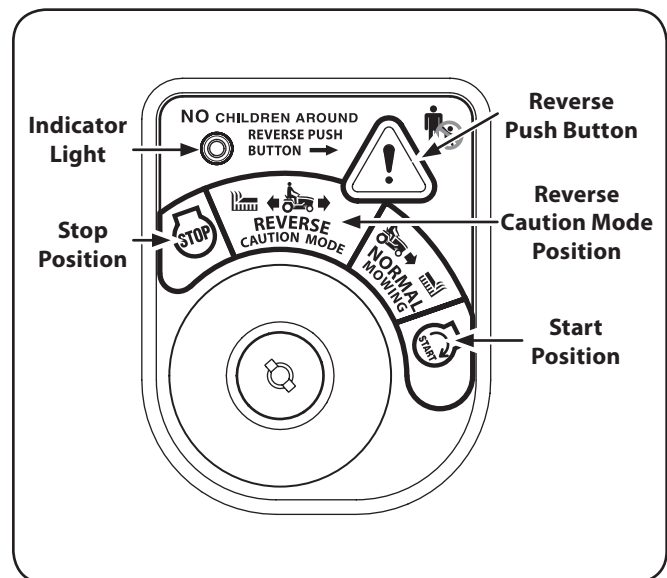


Figure 5-2

3. Press the REVERSE PUSH BUTTON (Orange, Triangular Button) at the top, right corner of the key switch module. The red indicator light at the top, left corner of the key switch module will be ON while activated. See Fig. 5-2.
4. Once activated (indicator light ON), the tractor can be driven in reverse with the cutting blades (PTO) engaged.
5. Always look down and behind before and while backing to make sure no children are around. After resuming forward motion, return the key to the NORMAL MOWING position.

The REVERSE CAUTION MODE will remain activated until:

- a. The key is placed in either the NORMAL MOWING position or STOP position or
- b. The operator leaves the seat.

## Driving On Slopes

Refer to the SLOPE GAUGE on page 8 to help determine slopes where you may operate the tractor safely.



**WARNING!** Do not mow on inclines with a slope in excess of 15 degrees (a rise of approximately 2-1/2 feet every 10 feet). The tractor could overturn and cause serious injury.

- Mow up and down slopes, NEVER across.
- Exercise extreme caution when changing direction on slopes.
- Watch for holes, ruts, bumps, rocks, or other hidden objects. Uneven terrain could overturn the machine. Tall grass can hide obstacles.
- Avoid turns when driving on a slope. If a turn must be made, turn down the slope. Turning up a slope greatly increases the chance of a roll over.
- Avoid stopping when driving up a slope. If it is necessary to stop while driving up a slope, start up smoothly and carefully to reduce the possibility of flipping the tractor over backward.

## Engaging the Parking Brake

**NOTE:** The parking brake must be set if the operator leaves the seat with the engine running, or the engine will automatically shut off.

To set the parking brake:

1. Press the brake pedal completely down with your left foot, and hold it in that position.
2. Push the parking brake lever downward, and hold it in that position.
3. Remove your foot from the brake pedal.
4. Release pressure from the parking brake lever.

After completing step 3, the brake pedal should remain in the down position. If it doesn't, the parking brake is *not* engaged. Repeat steps 1 through 4 to engage the parking brake.

To disengage the parking brake, lightly press the brake pedal .



**WARNING!** Never leave a running machine unattended. Always disengage PTO, set parking brake, stop engine and remove key to prevent unintended starting

## Setting The Cruise Control



**WARNING!** Never engage the cruise control lever while traveling in reverse.

To set the cruise control:

1. Slowly press the drive pedal with your right foot until the desired speed is achieved.
2. Lightly press the cruise control lever downward and hold it in that position.

**NOTE:** Cruise control can not be set at the tractor's fastest ground speed. If the operator should attempt to do so, the tractor will automatically decelerate to the fastest optimal mowing ground speed

3. Remove your foot from the drive pedal.
4. Release pressure from the cruise control lever

After completing step 3, the drive pedal should remain in the down position and the tractor will maintain the same forward speed. If it doesn't, the cruise control is *not* engaged. Repeat steps 1 through 4 to engage the cruise control.

To disengage the cruise control, lightly press the drive pedal or the brake pedal.

To change the direction of travel from forward to reverse when cruise control is engaged, press the brake pedal to disengage the cruise control and bring the tractor to a complete stop. Move the shift lever into the reverse position. Then slowly press the reverse pedal to travel in reverse.

## Using the Deck Lift Lever

To raise the cutting deck, move the deck lift lever to the left, then place it in the notch best suited for your application.

## Operating the Headlights

The lamps are ON whenever the ignition key is rotated out of the STOP position. The lamps turn OFF when the ignition key is moved to the STOP position.

## Engaging the PTO

Engaging the PTO transfers power to the cutting deck or other (separately available) attachments. To engage the PTO:

1. Move the Throttle/Choke control lever to the FAST (rabbit) position.
2. Push the PTO/Blade Engage lever forward into the engaged (ON) position.

**NOTE:** Always operate the tractor with the Throttle/Choke control lever in the FAST (rabbit) position for the most efficient use of the cutting deck or other (separately available) attachments.

## Mowing



**WARNING!** To help avoid blade contact or a thrown object injury, keep bystanders, helpers, children and pets at least 75 feet from the machine while it is in operation. Stop machine if anyone enters the area.

The following information will be helpful when using the cutting deck with your tractor.



**WARNING!** Plan your mowing pattern to avoid discharge of materials toward roads, sidewalks, bystanders and the like. Also, avoid discharging material against a wall or obstruction which may cause discharged material to ricochet back toward the operator.

- Do not mow at high ground speed, especially if a mulch kit or grass collector is installed.
- Do not cut the grass too short. Short grass is prone to weed growth and yellows quickly in dry weather.
- Always operate the tractor with the throttle lever in the FAST (rabbit) position while mowing.
- For best results, it is recommended that the first two laps be cut with the discharge thrown towards the center. After the first two laps, reverse the direction to throw the discharge to the outside for the balance of cutting. This will give a better appearance to the lawn.
- Do NOT attempt to mow heavy brush and weeds or extremely tall grass. Your tractor is designed to mow lawns, NOT clear brush.
- Keep the blades sharp and replace the blades when worn.

## Maintenance Schedule

	Before Each use	Every 10 Hours	Every 25 Hours	Every 50 Hours	Every 100 Hours	Prior to Storing
Clean Hood/Dash Louvers		✓				✓
Check Engine Oil Level	✓					
Check Air Filter for Dirty, Loose or Damaged Parts	✓					
Clean and Re-oil Air Filter's Foam Precleaner			✓			
Replace Air Filter Element					✓	
Change Engine Oil and Replace Oil Filter				✓		
Clean Battery Terminals		✓				✓
Lube Front Axles and Rims			✓			✓
Clean Engine Cooling Fins			✓			✓
Lube Front Deck Wheels			✓			✓
Lube Deck Spindles			✓			✓
Lube Pedal Pivot Points		✓				✓
Check Spark Plug Condition & Gap					✓	✓
Replace Fuel Filter					✓	

## Maintenance



**WARNING!** Before performing any maintenance or repairs, disengage PTO, set parking brake, stop engine and remove key to prevent unintended starting.

### Engine

Refer to the Kohler Owner's Manual for all engine maintenance procedures and instructions.

**NOTE:** Maintenance, repair, or replacement of the emission control devices and systems which are being done at owner's expense may be performed by any engine repair establishment or individual. **Warranty repairs must be performed by a Cub Cadet Dealer.**

## Changing the Engine Oil

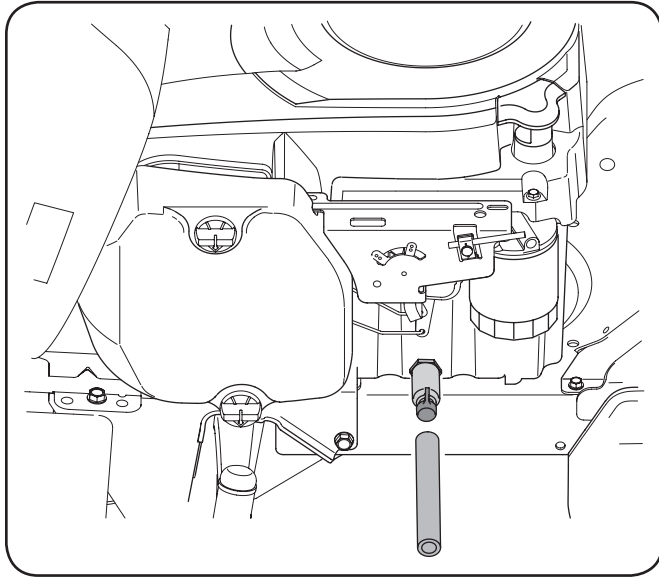


**WARNING!** If the engine has been recently run, the engine, muffler and surrounding metal surfaces will be hot and can cause burns to the skin. Exercise caution to avoid burns.

**NOTE:** The oil filter should be changed at every oil change interval. To complete an oil change, proceed as follows:

1. Run the engine for a few minutes to allow the oil in the crankcase to warm up. Warm oil will flow more freely and carry away more of the engine sediment which may have settled at the bottom of the crankcase. Use care to avoid burns from hot oil.
2. Open the tractor's hood and locate the oil drain port on the left side of the engine.

- Pop open the protective cap on the end of the oil drain valve to expose the drain port. See Fig 6-1.



**Figure 6-1**

- Remove the oil fill cap/dipstick from the oil fill tube.
- Push the oil drain hose (packed with this manual) onto the oil drain port. Route the opposite end of the hose into an appropriate oil collection container with at least a 2.5 quart capacity to collect the used oil.
- The engine is equipped with either a twist-and-pull drain port or a tabbed drain port. If your engine has the twist-and-pull drain, go to step a. If your engine is equipped with the tabbed drain, go to step b.
  - Turn the oil drain valve  $\frac{1}{4}$ -turn, then pull outward to begin draining oil. After the oil has finished draining, push the end of the oil drain valve back in and turn  $\frac{1}{4}$ -turn to secure it back in place. Re-cap the end of the oil drain valve to keep debris from entering the drain port.
  - Pinch the tabs on the oil drain valve, then pull outward to begin draining oil. After the oil has finished draining, push the end of the oil drain valve back in, until the tabs click into place. Re-cap the end of the oil drain valve to keep debris from entering the drain port.
- Replace the oil filter as instructed in the Kohler Owner's Manual.
- Refill the engine with new oil. Refer to the Kohler Owner's Manual for information regarding the volume and weight of engine oil.

### Air Cleaner

Service the pre-cleaner and cartridge/air cleaner element as instructed in the Kohler Owner's Manual.

### Spark Plug

The spark plug should be cleaned and the gap reset once a season. Refer to the Kohler Owner's Manual for correct plug type and gap specifications.

### Transmission

The transmission is sealed at the factory and is maintenance-free. The fluid level cannot be checked and the fluid cannot be changed.

### Battery



#### **CALIFORNIA PROPOSITION 65 WARNING!**

Battery posts, terminals, and related accessories contain lead and lead compounds, chemicals known to the State of California to cause cancer and reproductive harm. Wash hands after handling.

The battery is sealed and is maintenance-free. Acid levels cannot be checked and fluid can not be added.

- Always keep the battery cables and terminals clean and free of corrosive build-up.
- After cleaning the battery and terminals, apply a light coat of petroleum jelly or grease to both terminals.



**CAUTION:** If removing the battery for cleaning, disconnect the NEGATIVE (Black) wire from its terminal first, followed by the POSITIVE (Red) wire. When re-installing the battery, always connect the POSITIVE (Red) wire its terminal first, followed by the NEGATIVE (Black) wire. Be certain that the wires are connected to the correct terminals; reversing them could result in serious damage to your engine's alternating system.

### Cleaning the Tractor

Any fuel or oil spilled on the machine should be wiped off promptly. Do NOT allow debris to accumulate around the cooling fins of the engine, the transmission's cooling fan or on any other part of the machine, especially the belts and pulleys.

### Smart Jet

Your tractor's deck is equipped with a water port on its surface as part of its deck wash system.

Use the Smart Jet to rinse grass clippings from the deck's underside and prevent the buildup of corrosive chemicals. Complete the following steps AFTER EACH MOWING:

- Drive the tractor to a level, clear spot on your lawn, near enough for your garden hose to reach.

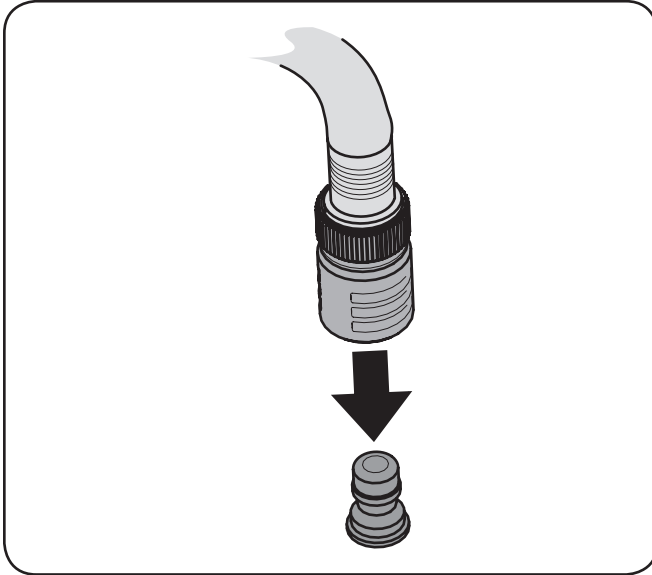


**CAUTION:** Make certain the tractor's discharge chute is directed AWAY from your house, garage, parked cars, etc.

- Disengage the PTO (Blade Engage), set the parking brake and stop the engine.
- Thread the hose coupler (packaged with your tractor's Operator's Manual) onto the end of your garden hose.



- Attach the hose coupler to the water port on your deck's surface. See Fig. 6-2.



**Figure 6-2**

- Turn the water on.
- While sitting in the operator's position on the tractor, start the engine and place the throttle lever in the FAST (rabbit) position.
- Move the tractor's PTO (Blade Engage) into the ON position.
- Remain in the operator's position with the cutting deck engaged for a minimum of two minutes, allowing the underside of the cutting deck to thoroughly rinse.
- Move the tractor's PTO (Blade Engage) into the OFF position.
- Turn the ignition key to the STOP position to turn the tractor's engine off.
- Turn the water off and detach the hose coupler from the water port on your deck's surface.

After cleaning your deck with the Smart Jet system, return to the operator's position and engage the PTO. Keep the cutting deck running for a minimum of two minutes, allowing the underside of the cutting deck to thoroughly dry.

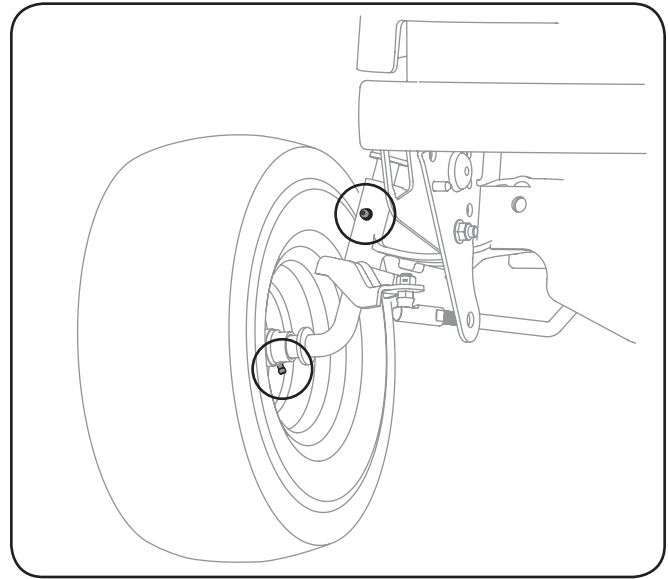
## Lubrication



**WARNING!** Before lubricating, repairing, or inspecting, always disengage PTO, set parking brake, stop engine and remove key to prevent unintended starting.

### Front Wheels

Each of the front wheel axles and rims is equipped with a grease fitting. See Fig. 6-3. Lubricate with a No. 2 multi-purpose grease applied with a grease gun after every 25 hours of tractor operation.



**Figure 6-3**

### Pivot Points & Linkage

Lubricate all the pivot points on the drive system, parking brake and lift linkage at least once a season with light oil.

### Deck Wheels

Each of the tractor deck's front gauge wheels is equipped with a grease fitting. Lubricate with a No. 2 multi-purpose grease applied with a grease gun after every 25 hours of tractor operation.

## Deck Spindle

Grease fittings can be found on each deck spindle. See Fig. 6-4. Lubricate with 251H EP grease or an equivalent No. 2 multi-purpose lithium grease. Using a grease gun, apply two strokes (minimum) or sufficient grease to the spindle shaft.

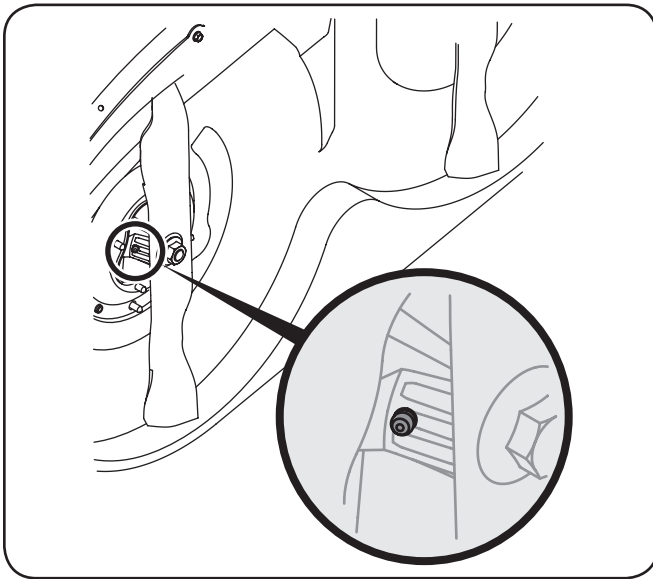


Figure 6-4

## Adjustments



**WARNING!** Shut the engine off, remove the ignition key and engage the parking brake before making adjustments. Protect your hands by using heavy gloves when handling the blades.

**NOTE:** Check the tractor's tire pressure before performing any deck leveling adjustments. Refer to Tires on page 28 for information regarding tire pressure.

### Leveling the Deck (Front To Rear)

The front of the cutting deck is supported by a stabilizer bar that can be adjusted to level the deck from front to rear. The front of the deck should be between  $\frac{1}{4}$ -inch and  $\frac{3}{8}$ -inch lower than the rear of the deck. Adjust if necessary as follows:

1. Park the tractor parked on a firm, level surface and place the deck lift lever in the middle position.
2. Rotate the blade nearest the discharge chute so that it is parallel with the tractor.
3. Measure the distance from the front of the blade tip to the ground and the rear of the blade tip to the ground. The first measurement taken should be between  $\frac{1}{4}$ " and  $\frac{3}{8}$ " less than the second measurement.

Determine the approximate distance necessary for proper adjustment and proceed, if necessary.

1. Loosen (thread outward) the hex lock nut on the end of the deck hanger rod. See Fig. 6-5.

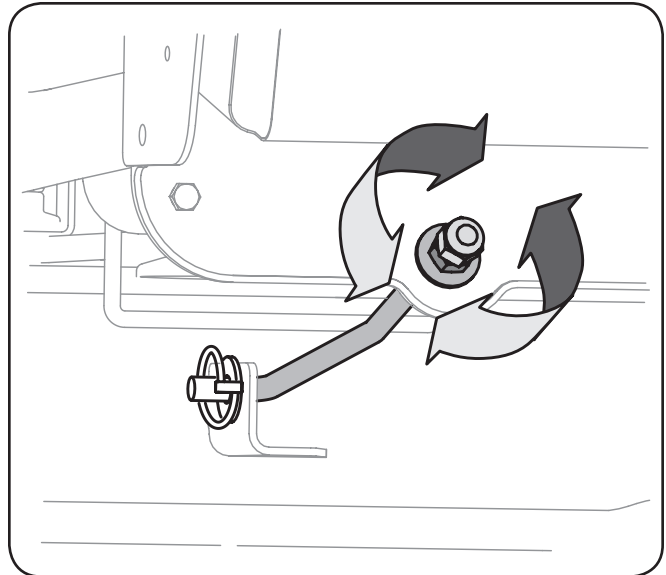


Figure 6-5

2. To *raise* the front of the deck, tighten (thread inward) the inner hex nut against the front hanger bracket.
3. To *lower* the front of the deck, loosen (thread outward) the hex nut, away from the front hanger bracket. See Fig. 6-5.
4. Retighten the lock nut against each hex nut when proper adjustment is achieved.

## Leveling the Deck (Side to Side)

If the cutting deck appears to be mowing unevenly, a side to side adjustment can be performed. Adjust if necessary as follows:

1. With the tractor parked on a firm, level surface, place the deck lift lever in the middle position and rotate both blades so that they are perpendicular with the tractor.
2. Measure the distance from the outside of the left blade tip to the ground and the distance from the outside of the right blade tip to the ground. Both measurements taken should be equal. If they're not, proceed to the next step.
3. Loosen, but do NOT remove, the hex bolt on the left deck hanger bracket. See Fig. 6-6.

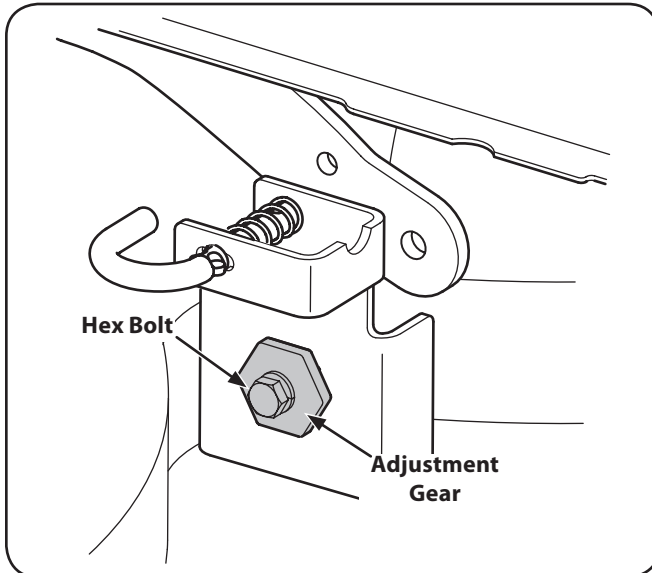


Figure 6-6

4. Using a wrench, raise or lower the left side of the deck by turning the adjustment gear. See Fig. 6-6.

The deck is properly leveled when both blade tip measurements taken in step 2 are equal. Retighten the hex bolt on the left deck hanger bracket when proper adjustment is achieved.

## Parking Brake Adjustment

If the tractor does not come to a complete stop when the brake pedal is completely depressed, or if the tractor's rear wheels can roll with the parking brake applied (and the shift lever in neutral), the brake is in need of adjustment. See your Cub Cadet dealer to have the brake properly adjusted.

## Adjusting the Seat

Refer to the Set-Up and Assembly section of this manual for seat adjustment instructions.



**WARNING!** Before operating the tractor, make sure the seat is engaged in the seat-stop. Engage the parking brake. Stand behind the machine and pull back on seat until it clicks into place.

## Steering Adjustment

If the tractor turns tighter in one direction than the other, or if the ball joints are being replaced due to damage or wear, the steering drag links may need to be adjusted.

Adjust the drag links so that equal lengths of each are threaded into the ball joint on the left side and the ball joint on the right side:

1. Remove the hex nut below the of ball joint. See Fig. 6-7.

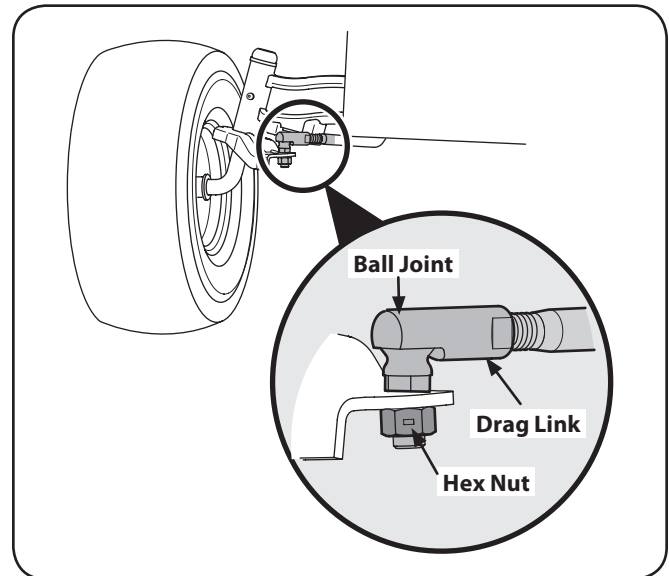


Figure 6-7

2. Thread the ball joint inward to shorten the drag link. Thread the ball joint outward to lengthen the drag link.
3. Replace the hex nut after proper adjustment is achieved.

**NOTE:** Threading the ball joints too far onto the drag links will cause the front tires to "toe-in" too far. Proper toe-in is between  $\frac{1}{16}$ " and  $\frac{3}{16}$ ".

4. Front tire toe-in can be measured as follows:
  - a. Place the steering wheel in position for straight ahead travel.
  - b. In front of the axle, measure the distance horizontally from the inside of the left rim to the inside of the right rim. Note the distance.
  - c. Behind the axle, measure the distance horizontally from the inside of the left rim to the inside of the right rim. Note the distance.
5. The measurement taken in front of the axle should be between  $\frac{1}{16}$ " and  $\frac{3}{16}$ " less than the measurement taken behind the axle.

## Cutting Deck Removal

1. Place the PTO/Blade Engage knob in the disengaged (OFF) position and engage the parking brake.
2. Lower the deck by moving the deck lift lever into the bottom notch on the right fender.
3. Locate the PTO clutch under the front of your tractor. See Fig. 7-1.

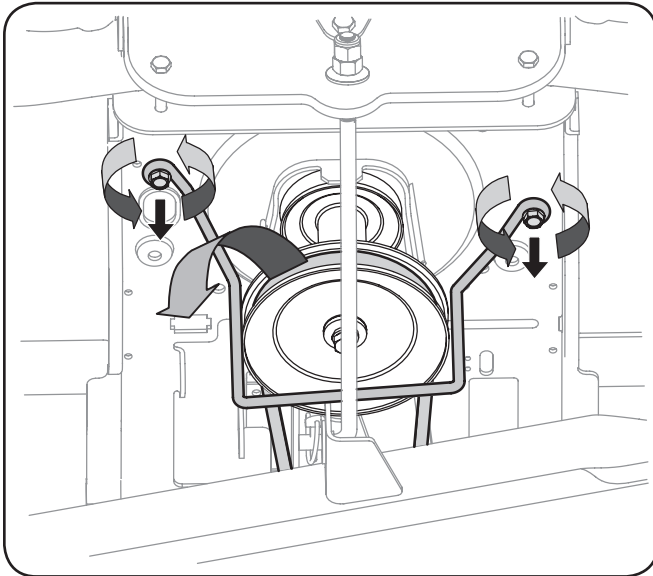


Figure 7-1

4. Remove the belt guard and belt as follows. Refer to Fig. 7-1:
  - a. Remove the hex screws.
  - b. Pull the belt keeper rod to the right and down to remove.
  - c. Remove the deck belt from around the tractor's engine pulley.

**NOTE:** If there is too much tension on the belt for it to be easily removed from the engine pulley, carefully insert a  $\frac{3}{8}$ " drive ratchet wrench (set to *loosen*) into the square hole found in the deck idler bracket and pivot it toward the tractor's left side to relieve tension on the belt. See Fig. 7-2.

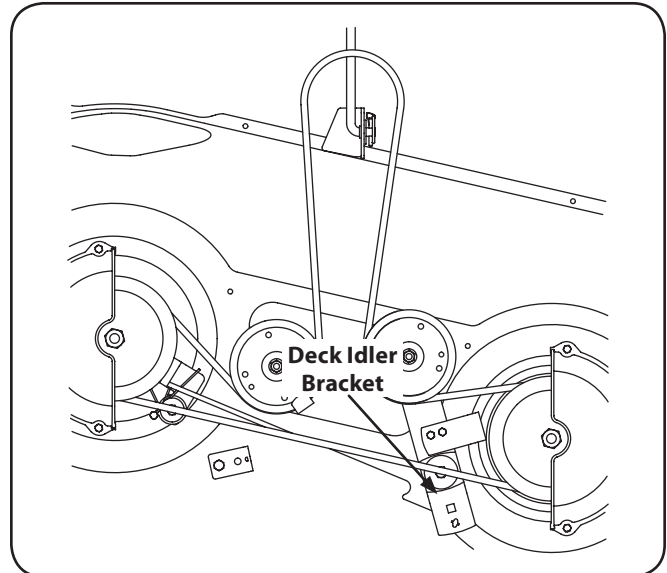


Figure 7-2



**WARNING!** Avoid pinching injuries. Never place your fingers on the idler spring or between the belt and a pulley while removing the belt.

5. Looking at the cutting deck from the left side of the tractor, locate the deck support pin on the rear left side of the deck.

- Pull the deck support pin outward to release the deck from the deck lift arm. See Fig. 7-3.

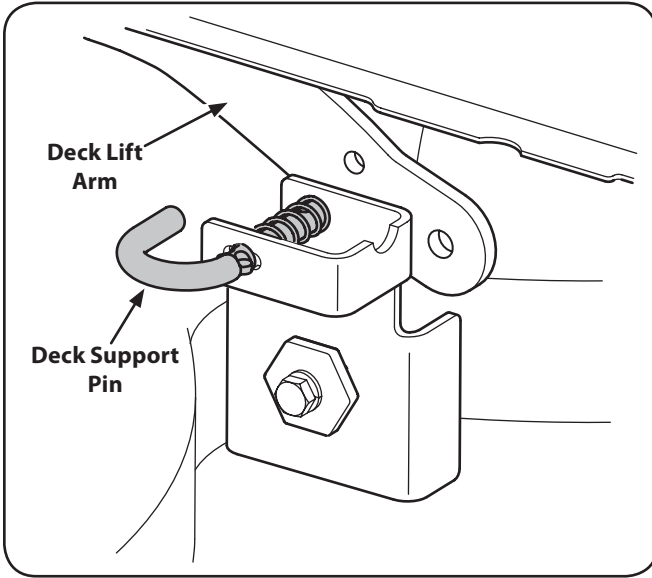


Figure 7-3

- Repeat the above steps on the tractor's right side.
- Move the deck lift lever into the top notch to raise the deck lift arms up and out of the way.
- Carefully remove the deck engage cable from the rear of the cutting deck by removing the bow-tie cotter clip that secures it. Remove the spring from the deck idler bracket. See Fig. 7-4.

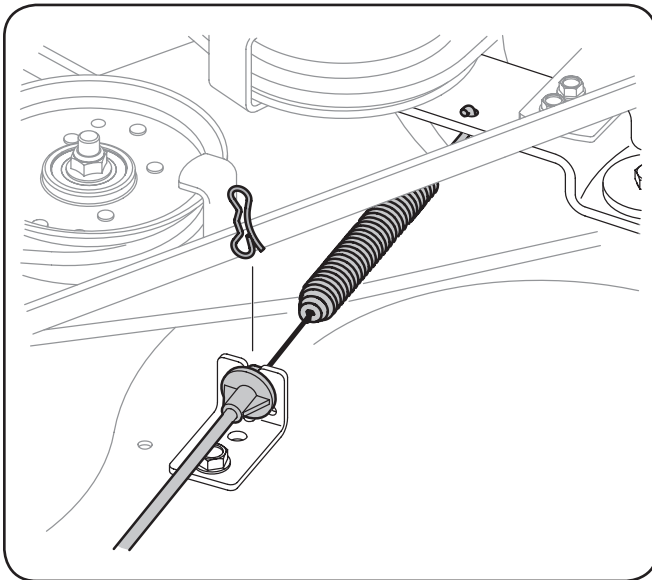


Figure 7-4

- Remove the cotter pin from the end of the stabilizer rod and slide the stabilizer out of the hanger bracket on the deck. See Fig. 7-5.

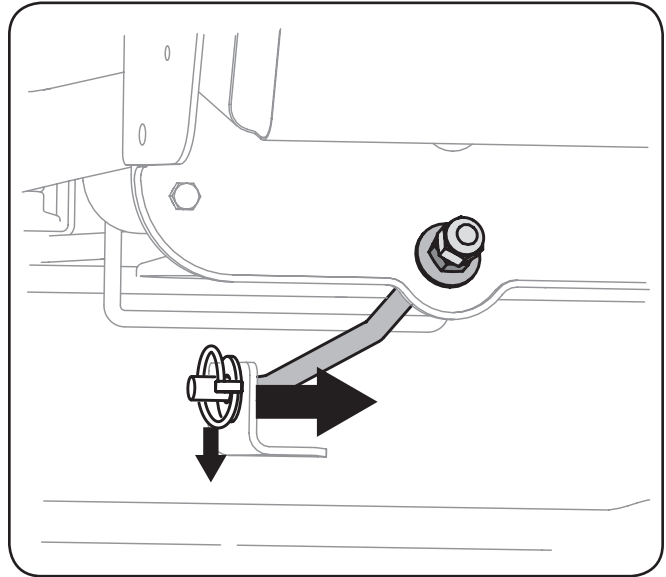


Figure 7-5

- Gently slide the cutting deck (from the right side) out from underneath the tractor.

## Changing the Deck Belt



**WARNING!** The V-belts found on your tractor are specially designed to engage and disengage safely. A substitute (non-OEM) V-belt can be dangerous by not disengaging completely. For a proper working machine, use factory approved belts.

All belts on your tractor are subject to wear and should be replaced if any signs of wear are present. To change or replace the deck belt on your tractor, proceed as follows:

- Remove the deck as instructed on page 24.
- Remove the belt covers by removing the hex washer screws that fasten them to the deck. See Fig. 7-6.

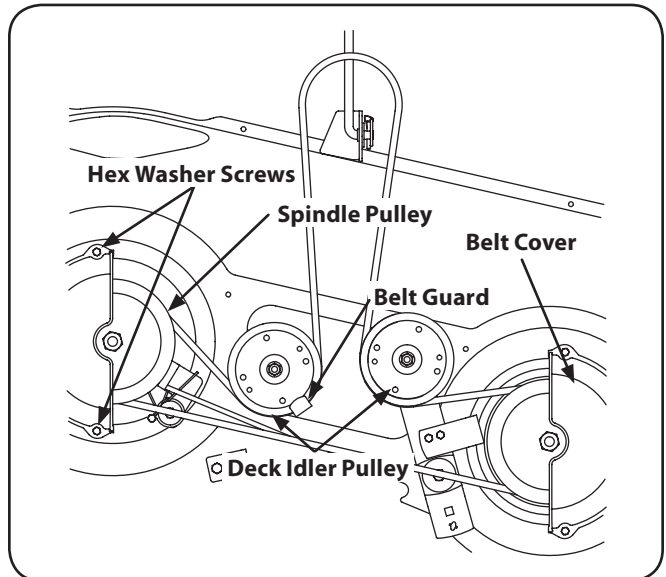
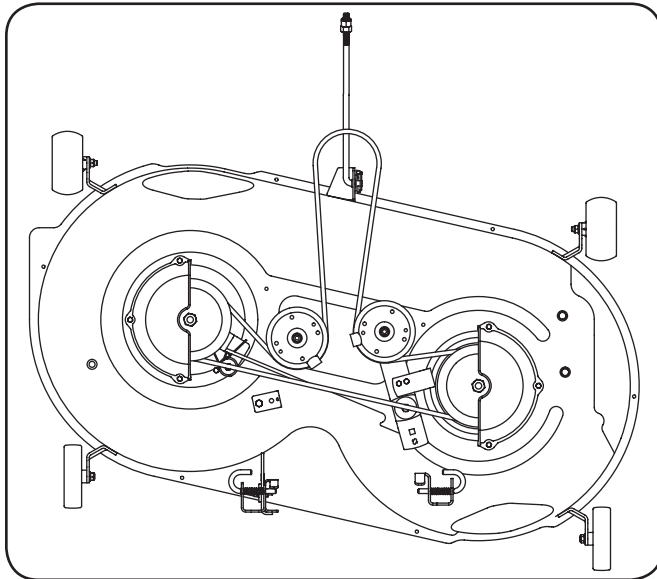


Figure 7-6

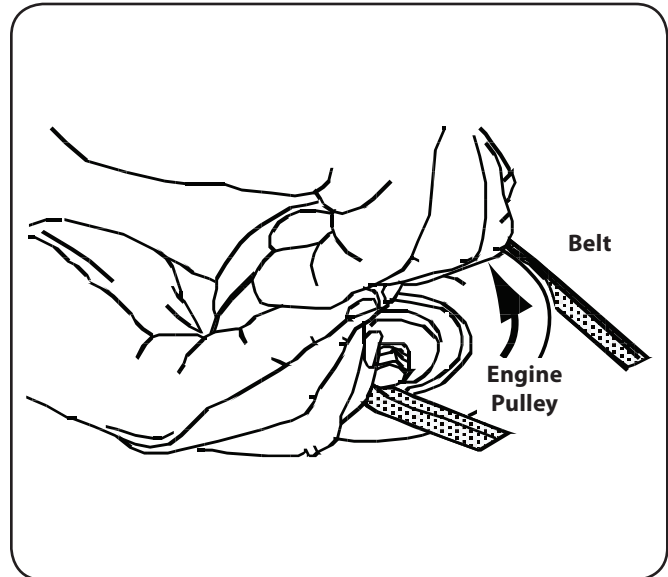
3. It may also be necessary to loosen the hex nut on the left idler pulley to get the belt off the pulley and around the belt guard.
4. Carefully remove the deck belt from around the two spindle pulleys and the two deck idler pulleys. See Fig. 7-6.
5. Remove the deck belt from around the two spindle pulleys and the two deck idler pulleys.
6. To place the new belt, begin by routing the belt around the two outer spindle pulleys as shown in Fig. 7-7.



**Figure 7-7**

7. Then route the belt around the two deck idler pulleys as shown in Fig. 7-7.
8. Retighten the belt keeper rod loosened earlier.
9. Remount the belt guards removed earlier.
10. Reinstall the deck as follows:
  - a. With the deck beneath the mower frame, attach the stabilizer rod. See Fig. 7-5.
  - b. Reconnect the deck lift arms. See Fig. 7-3.
  - c. Reattach the deck engage cable. See Fig. 7-4.

11. Place the belt into the engine pulley. See Fig. 7-8.



**Figure 7-8**

12. Replace the belt guard. See Fig. 7-1.

### Cutting Blades



**WARNING!** Shut the engine off and remove ignition key before removing the cutting blade(s) for sharpening or replacement. Protect your hands by using heavy gloves when grasping the blade



**WARNING!** Periodically inspect the blade and/or spindle for cracks or damage, especially after you've struck a foreign object. Do not operate the machine until damaged components are replaced.

To remove the blades, proceed as follows.

1. Remove the deck from beneath the tractor, (refer to Cutting Deck Removal earlier in this section) then gently flip the deck over to expose its underside.



- Place a block of wood between the center deck housing baffle and the cutting blade to act as a stabilizer. See Fig. 7-9.
- Remove the hex flange nut that secures the blade to the spindle assembly. See Fig. 7-9.

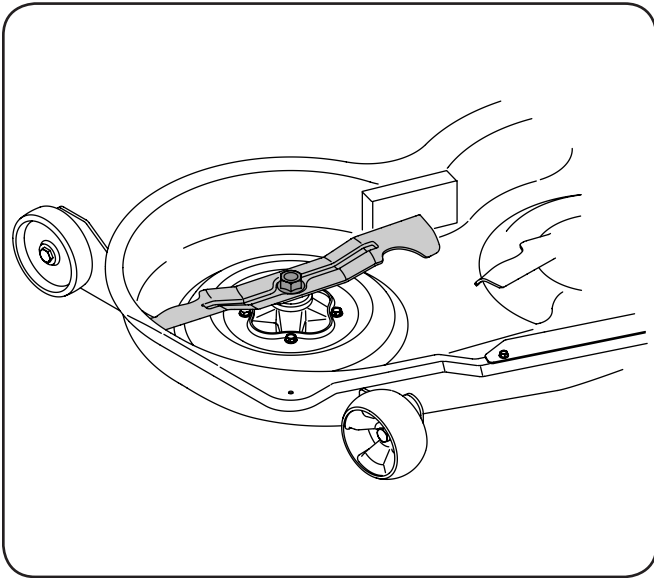


Figure 7-9

- To properly sharpen the cutting blades, remove equal amounts of metal from both ends of the blades along the cutting edges, parallel to the trailing edge, at a 25°- 30° angle. Always grind each cutting blade edge equally to maintain proper blade balance. See Fig. 7-10.



**CAUTION:** If the cutting edge of the blade has previously been sharpened, or if any metal separation is present, replace the blades with new ones.



**WARNING!** A poorly balanced blade will cause excessive vibration, may cause damage to the tractor and/or result in personal injury.

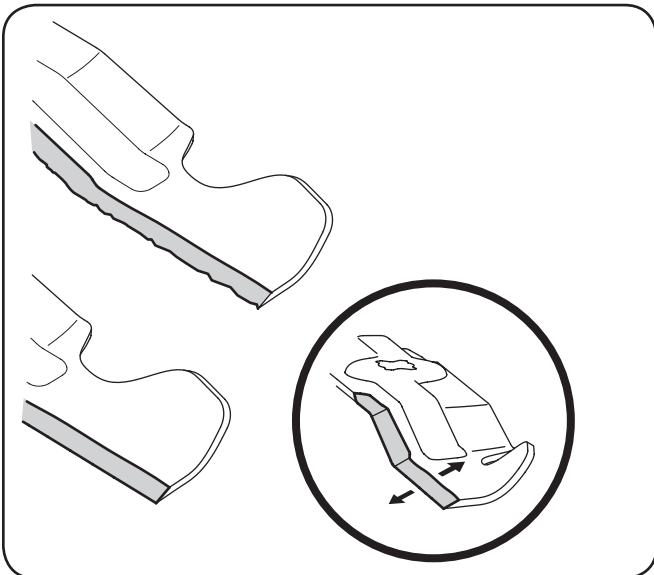


Figure 7-10

- Test the blade's balance using a blade balancer. Grind metal from the heavy side until it balances evenly.  
**NOTE:** When replacing the blade, be sure to install the blade with the side of the blade marked "Bottom" (or with a part number stamped in it) facing the ground when the mower is in the operating position.



**CAUTION:** Use a torque wrench to tighten the blade spindle hex flange nut to between 70 ft-lbs and 90 ft-lbs.

## Battery



### CALIFORNIA PROPOSITION 65 WARNING:

Battery posts, terminals, and related accessories contain lead and lead compounds, chemicals known to the State of California to cause cancer and reproductive harm. Wash hands after handling.



**CAUTION:** If removing the battery, disconnect the NEGATIVE (Black) wire from its terminal first, followed by the POSITIVE (Red) wire. When re-installing the battery, always connect the POSITIVE (Red) wire its terminal first, followed by the NEGATIVE (Black) wire.

## Jump Starting



**WARNING!** Never jump start a damaged or frozen battery. Be certain the vehicles do not touch and ignitions are off. Do not allow cable clamps to touch.

- Connect the positive (+) cable to positive (+) post of your tractor's discharged battery.
- Connect the other end of the cable to the positive (+) post of the jumper battery.
- Connect the negative (-), cable to the other post of the jumper battery.
- Make the final connection on the engine block of the tractor, away from the battery. Attach to an unpainted part to assure a good connection.



**CAUTION:** If the jumper battery is installed on a vehicle (i.e. car, truck), do NOT start the vehicle's engine when jump starting your tractor.

- Start the tractor (as instructed in the Operation section of this manual).
- Set the tractor's parking brake before removing the jumper cables, in reverse order of connection.

## Charging



**WARNING!** Batteries give off an explosive gas while charging. Charge the battery in a well ventilated area and keep away from an open flame or pilot light as on a water heater, space heater, furnace, clothes dryer or other gas appliances.



**CAUTION:** When charging your tractor's battery, use only a charger designed for 12V lead-acid batteries. Read your battery charger's Owner's Manual prior to charging your tractor's battery. Always follow its instructions and heed its warnings.

If your tractor has not been put into use for an extended period of time, charge the battery as follows:

1. Set your battery charger to deliver a max of 10 amperes.
2. If your battery charger is automatic, charge the battery until the charger indicates that charging is complete. If the charger is not automatic, charge for no fewer than eight hours.

## Fuse



**WARNING!** Before servicing, repairing, or inspecting, always disengage PTO, set parking brake, stop engine and remove key to prevent unintended starting.

A 20 Amp fuse is installed in your tractor's wiring harness to protect the tractor's electrical system from damage caused by excessive amperage.

If the electrical system does not function, or your tractor's engine will not crank, first check to be certain that the fuse has not blown. It is located under the hood, mounted behind the top of the dash panel on the support bar.



**CAUTION:** Always use a replacement fuse with the same amperage capacity as the blown fuse.

## Tires



**WARNING!** Never exceed the maximum inflation pressure shown on the sidewall of the tire.


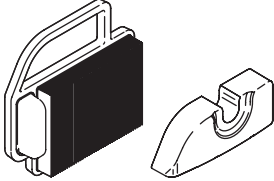

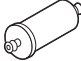
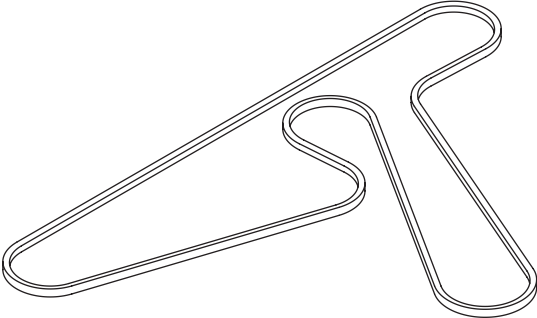
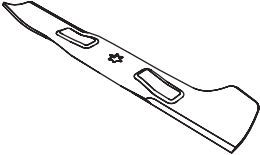
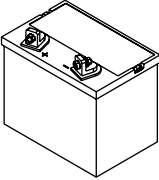
Refer to the tire sidewall for exact tire manufacturer's recommended or maximum psi. Do not overinflate.

Uneven tire pressure could cause the cutting deck to mow unevenly.

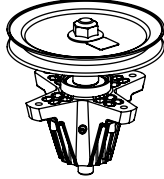


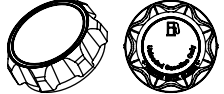


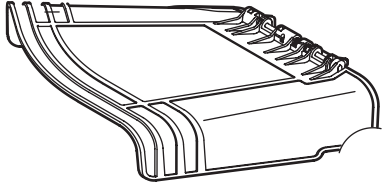
## Changing the Transmission Drive Belt

Several components must be removed and special tools used in order to change the tractor's transmission drive belt. See your Cub Cadet dealer to have the transmission drive belt replaced.

Problem	Cause	Remedy
Engine fails to start	<ol style="list-style-type: none"> <li>1. PTO/Blade Engage lever engaged.</li> <li>2. Parking brake not engaged.</li> <li>3. Spark plug wire disconnected.</li> <li>4. Throttle/Choke control lever not in correct starting position.</li> <li>5. Fuel tank empty, or stale fuel.</li> <li>6. Blocked fuel line.</li> <li>7. Faulty spark plug.</li> <li>8. Engine flooded.</li> </ol>	<ol style="list-style-type: none"> <li>1. Place lever in disengaged (OFF) position.</li> <li>2. Engage parking brake.</li> <li>3. Connect wire to spark plug.</li> <li>4. Place Throttle/Choke lever to FAST position.</li> <li>5. Fill tank with clean, fresh (less than 30 days old) gas.</li> <li>6. Clean fuel line and replace fuel filter.</li> <li>7. Clean, adjust gap or replace plug.</li> <li>8. Crank engine with throttle in FAST position.</li> </ol>
Engine runs erratic	<ol style="list-style-type: none"> <li>1. Tractor running with Throttle/Choke activated.</li> <li>2. Spark plug wires loose.</li> <li>3. Blocked fuel line or stale fuel.</li> <li>4. Vent in gas cap plugged.</li> <li>5. Water or dirt in fuel system.</li> <li>6. Dirty air cleaner.</li> </ol>	<ol style="list-style-type: none"> <li>1. Push Throttle/Choke control in.</li> <li>2. Connect and tighten spark plug wires.</li> <li>3. Clean fuel line; fill tank with clean, fresh gasoline and replace fuel filter.</li> <li>4. Clear vent or replace cap if damaged.</li> <li>5. Drain fuel tank. Refill with clean, fresh gasoline.</li> <li>6. Replace air cleaner paper element or clean foam pre-cleaner.</li> </ol>
Engine overheats	<ol style="list-style-type: none"> <li>1. Engine oil level low.</li> <li>2. Air flow restricted.</li> </ol>	<ol style="list-style-type: none"> <li>1. Fill crankcase with proper amount and weight of oil.</li> <li>2. Clean grass clippings and debris from around the engine's cooling fins and blower housing.</li> </ol>
Engine hesitates at high RPM	<ol style="list-style-type: none"> <li>1. Spark plug gap too close.</li> </ol>	<ol style="list-style-type: none"> <li>1. Remove spark plug and reset the gap.</li> </ol>
Engine Idles rough	<ol style="list-style-type: none"> <li>1. Spark plug fouled, faulty or gap too wide.</li> <li>2. Dirty air cleaner.</li> </ol>	<ol style="list-style-type: none"> <li>1. Replace spark plug. Set plug gap.</li> <li>2. Replace air cleaner element and/or clean pre-cleaner.</li> </ol>
Excessive vibration	<ol style="list-style-type: none"> <li>1. Cutting blade loose or unbalanced.</li> <li>2. Damaged or bent cutting blade.</li> </ol>	<ol style="list-style-type: none"> <li>1. Tighten blade and spindle.</li> <li>2. Replace blade.</li> </ol>
Mower will not mulch grass	<ol style="list-style-type: none"> <li>1. Engine speed too low.</li> <li>2. Wet grass.</li> <li>3. Excessively high grass.</li> <li>4. Dull blade.</li> </ol>	<ol style="list-style-type: none"> <li>1. Place Throttle/Choke control in FAST (rabbit) position.</li> <li>2. Do not mulch when grass is wet.</li> <li>3. Mow once at a high cutting height, then mow again at desired height or make a narrower cutting swath.</li> <li>4. Sharpen or replace blade.</li> </ol>
Uneven cut	<ol style="list-style-type: none"> <li>1. Deck not leveled properly.</li> <li>2. Dull blade.</li> <li>3. Uneven tire pressure.</li> </ol>	<ol style="list-style-type: none"> <li>1. Perform side-to-side deck adjustment.</li> <li>2. Sharpen or replace blade.</li> <li>3. Check tire pressure in all four tires.</li> </ol>

Component	Part Number and Description
	759-3336 Spark Plug (Champion RC12YC)
	KH-20-883-02-S1 Kohler Air Filter Element
	KH-12-050-01-S Kohler Oil Filter
	KH-25-050-21-S Kohler Fuel Filter
	954-04060B Drive Belt (Mower Deck)
	942-04312 2-in-1 Deck Blade
	925-1707D Battery

Phone (800) 965-4CUB to order replacement parts or a complete Parts Manual (have your full model number and serial number ready). Parts Manual downloads are also available free of charge at [www.cubcadet.com](http://www.cubcadet.com).

Component	Part Number and Description
	918-04889A      Deck Spindle
	734-04155      Deck Wheel (Front)
	734-0973      Deck Wheel (Rear)
	751-0603A      Fuel Tank Cap 951-10947      Fuel Tank Cap (California Models)
	946-04617      Throttle/Choke Control Lever & Cable
	925-2054A      Ignition Key (Plastic)
	631-04344      Discharge Chute Assembly

Phone (800) 965-4CUB to order replacement parts or a complete Parts Manual (have your full model number and serial number ready). Parts Manual downloads are also available free of charge at [www.cubcadet.com](http://www.cubcadet.com).

The following attachments and accessories are compatible for Cub Cadet LTX 1040. See your Cub Cadet dealer or the retailer from which you purchased your tractor for information regarding price and availability.



**CAUTION:** Cub Cadet Series 1000 lawn tractors are NOT designed for use with any type of ground-engaging attachments (e.g. tiller or moldboard plow). Use of this type of equipment WILL void the tractor's warranty.

Model Number	Description
19A30006100	Mulch Kit, 42"
19A30003100	Twin Bagger, 42" Deck
OEM-190-032	Snow Thrower, 42"
OEM-190-215	Wheel Weights
OEM-190-833	46" Snow Blade
OEM-19A-218	Rear Bracket Weight Kit
OEM-190-916	Tire Chains, 20" x 10"
190-679-101	Front Bumper
190-012-100	Armrest Kit





---

**FEDERAL and/or CALIFORNIA EMISSION CONTROL WARRANTY STATEMENT**  
**YOUR WARRANTY RIGHTS AND OBLIGATIONS**

MTD Consumer Group Inc, the United States Environmental Protection Agency (EPA), and, for those products certified for sale in the state of California, the California Air Resources Board (CARB) are pleased to explain the emission (evaporative and/or exhaust) control system (ECS) warranty on your outdoor 2006 and later small off-road spark-ignited engine and equipment (outdoor equipment engine) In California, new outdoor equipment engines must be designed, built and equipped to meet the State's stringent anti-smog standards (in other states, 1997 and later model year equipment must be designed, built, and equipped to meet the U.S. EPA small off-road, spark ignition engine regulations. MTD Consumer Group Inc must warrant the ECS on your outdoor equipment engine for the period of time listed below provided there has been no abuse, neglect or improper maintenance of outdoor equipment engine.

Your ECS may include parts such as the carburetor, fuel-injection system, the ignition system, catalytic converter, fuel tanks, fuel lines, fuel caps, valves, canisters, filters, vapor hoses, clamps, connectors, and other associated emission-related components.

Where a warrantable condition exists, MTD Consumer Group Inc will repair your outdoor equipment engine at no cost to you including diagnosis, parts and labor.

**MANUFACTURER'S WARRANTY COVERAGE:**

This emission control system is warranted for two years. If any emission-related part on your outdoor equipment engine is defective, the part will be repaired or replaced by MTD CONSUMER GROUP INC.

**OWNER'S WARRANTY RESPONSIBILITIES:**

As the outdoor equipment engine owner, you are responsible for performance of the required maintenance listed in your owner's manual. MTD Consumer Group Inc recommends that you retain all receipts covering maintenance on your outdoor equipment engine, but MTD Consumer Group Inc cannot deny warranty solely for the lack of receipts.

As the outdoor equipment engine owner, you should however be aware that MTD Consumer Group Inc may deny you warranty coverage if your outdoor equipment engine or a part has failed due to abuse, neglect, or improper maintenance or unapproved modifications.

You are responsible for presenting your outdoor equipment engine to MTD Consumer Group Inc's distribution center or service center as soon as the problem exists. The warranty repairs should be completed in a reasonable amount of time, not to exceed 30 days. If you have a question regarding your warranty coverage, you should contact the MTD Consumer Group Inc Service Department at 1-800-800-7310 or via email at <http://support.mtdproducts.com>

**GENERAL EMISSIONS WARRANTY COVERAGE:**

MTD Consumer Group Inc warrants to the ultimate purchaser and each subsequent purchaser that the outdoor equipment engine is: Designed, built and equipped so as to conform with all applicable regulations; and free from defects in materials and workmanship that cause the failure of a warranted part to be identical in all material respects to that part as described in MTD Consumer Group Inc's application for certification.

The warranty period begins on the date the outdoor equipment engine is delivered to an ultimate purchaser or first placed into service. The warranty period is two years.

Subject to certain conditions and exclusions as stated below, the warranty on emission-related parts is as follows:

1. Any warranted part that is not scheduled for replacement as required maintenance in the written instructions supplied, is warranted for the warranty period stated above. If the part fails during the period of warranty coverage, the part will be repaired or replaced by MTD Consumer Group Inc according to subsection (4) below. Any such part repaired or replaced under warranty will be warranted for the remainder of the period.
  2. Any warranted part that is scheduled only for regular inspection in the written instructions supplied is warranted for the warranty period stated above. Any such part repaired or replaced under warranty will be warranted for the remaining warranty period.
  3. Any warranted part that is scheduled for replacement as required maintenance in the written instructions supplied is warranted for the period of time before the first scheduled replacement date for that part. If the part fails before the first scheduled replacement, the part will be repaired or replaced by MTD Consumer Group Inc according to subsection (4) below. Any such part repaired or replaced under warranty will be warranted for the remainder of the period prior to the first scheduled replacement point for the part.
  4. Repair or replacement of any warranted part under the warranty provisions herein must be performed at a warranty station at no charge to the owner.
  5. Notwithstanding the provisions herein, warranty services or repairs will be provided at all of our distribution centers that are franchised to service the subject engines or equipment.
  6. The outdoor equipment engine owner will not be charged for diagnostic labor that is directly associated with diagnosis of a defective, emission-related warranted part, provided that such diagnostic work is performed at a warranty station.
  7. MTD Consumer Group Inc is liable for damages to other engine or equipment components proximately caused by a failure under warranty of any warranted part.
  8. Throughout the off-road engine and equipment warranty period stated above, MTD Consumer Group Inc will maintain a supply of warranted parts sufficient to meet the expected demand for such parts.
  9. Any replacement part may be used in the performance of any warranty maintenance or repairs and must be provided without charge to the owner. Such use will not reduce the warranty obligations of MTD Consumer Group Inc.
  10. Add-on or modified parts that are not exempted by the Air Resources Board may not be used. The use of any non-exempted add-on or modified parts by the ultimate purchaser will be grounds for disallowing a warranty claims. MTD Consumer Group Inc will not be liable to warrant failures of warranted parts caused by the use of a non-exempted add-on or modified part.
-

---

## WARRANTED PARTS:

The repair or replacement of any warranted part otherwise eligible for warranty coverage may be excluded from such warranty coverage if MTD Consumer Group Inc demonstrates that the outdoor equipment engine has been abused, neglected, or improperly maintained, and that such abuse, neglect, or improper maintenance was the direct cause of the need for repair or replacement of the part. That notwithstanding, any adjustment of a component that has a factory installed, and properly operating, adjustment limiting device is still eligible for warranty coverage. Further, the coverage under this warranty extends only to parts that were present on the off-road engine and equipment purchased.

The following emission warranty parts are covered (if applicable):

(1) Fuel Metering System

- Cold start enrichment system (soft choke)
- Carburetor and internal parts (or fuel injection system)
- Fuel pump
- Fuel tank

(2) Air Induction System

- Air cleaner
- Intake manifold

(3) Ignition System

- Spark plug(s)
- Magneto ignition system

(4) Exhaust System

- Catalytic converter
- SAI (Reed valve)

(5) Miscellaneous Items Used in Above System

- Vacuum, temperature, position, time sensitive valves and switches
- Connectors and assemblies

(6) Evaporative Control

- Fuel hose
- Fuel hose clamps
- Tethered fuel cap
- Carbon canister
- Vapor lines

**CUB CADET LLC**  
**MANUFACTURER'S LIMITED WARRANTY FOR**  
**SERIES 1000 & SERIES 1500 TRACTORS**

**IMPORTANT:** To obtain warranty coverage owner must present an original proof of purchase and applicable maintenance records to the servicing dealer. Please see the operator's manual for information on required maintenance and service intervals.

The limited warranty set forth below is given by Cub Cadet LLC with respect to new merchandise purchased or leased and used in the United States and/or its territories and possessions, and by MTD Products Limited with respect to new merchandise purchased or leased and used in Canada and/or its territories and possessions (either entity respectively, "Cub Cadet").

Cub Cadet warrants this product (excluding its *Normal Wear Parts, Batteries, Frame and Front Axle and Attachments* as described below) against defects in material and workmanship for a period of three (3) years or one hundred twenty (120) operation hours, whichever comes first, commencing on the date of original retail purchase or lease and will, at its option, repair or replace, free of charge, any part found to be defective in materials or workmanship.

*Normal Wear Parts* are warranted to be free from defects in material and workmanship for a period of thirty (30) days from the date of original purchase or lease. Normal wear parts include, but are not limited to items such as: belts, blades, blade adapters, grass bags, rider deck wheels, seats, and tires.

*Batteries* have a one-year prorated limited warranty against defects in material and workmanship, with 100% replacement during the first three months. After three months, the battery replacement credit is based on the months remaining in the twelve (12) month period dating back to the original date of original sale or lease. Any replacement battery will be warranted only for the remainder of the original warranty period.

*Frame and Front Axle* — Cub Cadet warrants the frame, and front cast iron pivot axle against defects in material and workmanship for a period of five (5) years or 500 hours, whichever occurs first, commencing on the date of original purchase or lease.

*Attachments* — Cub Cadet warrants attachments for this product against defects in material and workmanship for a period of two (2) years, commencing on the date of the attachment's original purchase or lease. Attachments include, but are not limited to items such as: grass collectors and mulch kits.

This limited warranty shall only apply if this product has been operated and maintained in accordance with the Operator's Manual furnished with the product, and has not been subject to misuse, abuse, neglect, accident, improper maintenance, alteration, vandalism, theft, fire, water, or damage because of other peril or natural disaster. Damage resulting from the installation or use of any part, accessory or attachment not approved by Cub Cadet for use with the product(s) covered by this manual will void your warranty as to any resulting damage. In addition, Cub Cadet may deny warranty coverage if the hour meter, or any part thereof, is altered, modified, disconnected or otherwise tampered with.

**HOW TO OBTAIN SERVICE:** Warranty service is available, WITH PROOF OF PURCHASE AND APPLICABLE MAINTENANCE RECORDS, through your local authorized service dealer. To locate the dealer in your area:

**In the U.S.A.:**

Check your Yellow Pages, or contact Cub Cadet LLC at P.O. Box 361131, Cleveland, Ohio 44136-0019, call 1-877-282- 8684 or log on to our website at [www.cubcadet.com](http://www.cubcadet.com).

**In Canada:**

Contact MTD Products Limited, Kitchener, ON N2G 4J1, call 1-800-668-1238 or log on to our website at [www.mtdcanada.com](http://www.mtdcanada.com).

Without limiting the foregoing, this limited warranty does not provide coverage in the following cases:

- a. Routine maintenance items such as lubricants, filters, blade sharpening, tune-ups, brake adjustments, clutch adjustments, deck adjustments, and normal deterioration of the exterior finish due to use or exposure.
- b. Service completed by someone other than an authorized service dealer.
- c. Cub Cadet does not extend any warranty for products sold or exported outside of the United States and/or Canada, and their respective possessions and territories, except those sold through Cub Cadet's authorized channels of export distribution.
- d. Replacement parts and/or accessories that are not genuine Cub Cadet parts.
- e. Transportation charges and service calls.

**There are no implied warranties, including without limitation any implied warranty of merchantability or fitness for a particular purpose. No warranties shall apply after the applicable period of express written warranty above. No other express warranties beyond those mentioned above, given by any person or entity, including a dealer or retailer, with respect to any product, shall bind Cub Cadet. The exclusive remedy is repair or replacement of the product as set forth above. The terms of this warranty provide the sole and exclusive remedy arising from the sale and/or lease of the products covered hereby. Cub Cadet shall not be liable for any incidental or consequential loss or damage including, without limitation, expenses incurred for substitute or replacement lawn care services or for rental expenses to temporarily replace a warranted product.**

Some jurisdictions do not allow the exclusion or limitation of incidental or consequential damages, or limitations on how long an implied warranty lasts, so the above exclusions or limitations may not apply to you.

In no event shall recovery of any kind be greater than the amount of the purchase price of the product sold. **Alteration of safety features of the product shall void this warranty.** You assume the risk and liability for loss, damage, or injury to you and your property and/or to others and their property arising out of the misuse or inability to use the product.

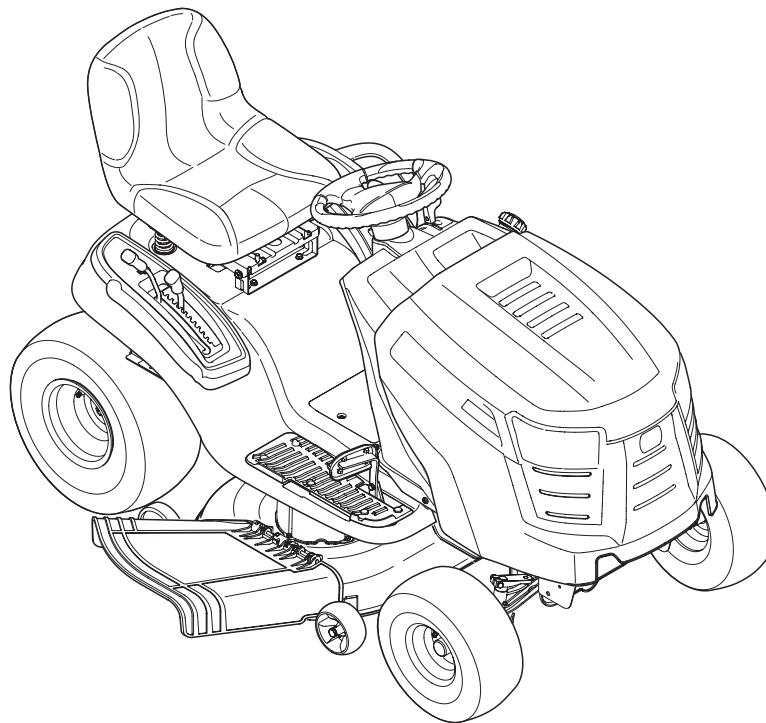
This limited warranty shall not extend to anyone other than the original purchaser or to the person for whom it was purchased as a gift.

**HOW LOCAL LAWS RELATE TO THIS WARRANTY:** This limited warranty gives you specific legal rights, and you may also have other rights that vary in different jurisdictions.

**Cub Cadet LLC, P.O. BOX 361131 CLEVELAND, OHIO 44136-0019, Phone: 1-877-282-8684**  
**MTD Products Limited, Kitchener, ON N2G 4J1, Phone: 1-800-668-1238**

# *Cub Cadet*<sup>®</sup>

## MANUAL DEL OPERADOR



### Tractor Corta Césped — LTX1040

#### **⚠ ADVERTENCIA**

**LEA Y SIGA TODAS LAS INSTRUCCIONES DE ESTE MANUAL  
ANTES DE PONER EN FUNCIONAMIENTO ESTA MÁQUINA.  
SI NO RESPETA ESTAS INSTRUCCIONES PUEDE PROVOCAR LESIONES PERSONALES.**

CUB CADET LLC, P.O. BOX 361131 CLEVELAND, OHIO 44136-0019

## Gracias

Gracias por comprar una Cub Cadet máquina quitanieve. La misma ha sido diseñada cuidadosamente para brindar excelente rendimiento si se la opera y mantiene correctamente.

Por favor lea todo este manual antes de operar el equipo. Le indica cómo configurar, operar y mantener la máquina con seguridad y fácilmente. Por favor asegúrese de seguir cuidadosamente y en todo momento las prácticas de seguridad recomendadas, y hacérselas seguir a cualquier otra persona que opere la máquina. En caso de no hacerlo podrían producirse lesiones personales o daños materiales.

Toda la información contenida en este manual hace referencia a la más reciente información de producto disponible en el momento de la impresión. Revise el manual frecuentemente para familiarizarse con la unidad, sus características y funcionamiento. Por favor tenga en cuenta que este Manual del Operador puede cubrir una gama de especificaciones de productos de diferentes modelos. Las características y funciones incluidas y/o ilustradas en este manual pueden no ser aplicables a todos los modelos. Reservamos el derecho de modificar las especificaciones de los productos, los diseños y el equipo

estándar sin previo aviso y sin generar responsabilidad por obligaciones de ningún tipo.

Si tiene algún problema o duda respecto a la unidad, llame a un distribuidor de servicio Cub Cadet autorizado o póngase en contacto directamente con nosotros. Los números de teléfono, dirección del sitio web y dirección postal de la Asistencia al Cliente de Cub Cadet se encuentran en esta página. Queremos garantizar su entera satisfacción en todo momento.

En este manual, las referencias al lado *derecho* o *izquierdo* de la máquina se observan desde la posición del operador.

El fabricante del motor es el responsable de todas las cuestiones relacionadas con el rendimiento, potencia de salida, especificaciones, garantía y mantenimiento del motor. Para obtener mayor información consulte el Manual del Propietario / Operador entregado por el fabricante del motor, que se envía, en un paquete por separado, junto con su unidad.

## Índice

<b>Medidas importantes de seguridad</b> .....	<b>39</b>	<b>Mantenimiento y Ajustes</b> .....	<b>55</b>
<b>Montaje y Configuración</b> .....	<b>45</b>	<b>Servicio</b> .....	<b>60</b>
<b>Controles y Características</b> .....	<b>48</b>	<b>Solución de problemas</b> .....	<b>65</b>
<b>Funcionamiento</b> .....	<b>51</b>	<b>Garantías</b> .....	<b>Cubierta Posterior</b>

## Registro de información de producto

Antes de configurar y operar su equipo nuevo, por favor localice la placa del modelo en el equipo y registre la información en el área situada a la derecha. Puede localizar la placa de modelo mirando debajo del asiento. Si tiene que solicitar soporte técnico a través de nuestro sitio web, el Departamento de Asistencia al Cliente, o de un distribuidor de servicio autorizado local, necesitará esta información.

### NÚMERO DE MODELO

--	--	--	--	--	--	--	--	--	--	--	--

### NÚMERO DE SERIE

--	--	--	--	--	--	--	--	--	--	--	--

## Asistencia al Cliente

En caso de tener problemas para montar este producto o de tener dudas con respecto a los controles, funcionamiento o mantenimiento de esta máquina, puede solicitar la ayuda de expertos. Elija entre las opciones que se presentan a continuación:

- ◇ Visite nuestro sitio web en [www.cubcadet.com](http://www.cubcadet.com)
- ◇ Llame al representante de Atención al Cliente al (800) 965-4CUB
- ◇ Localice a su distribuidor Cub Cadet más cercano llamando al (877) 282-8684
- ◇ Escribanos a Cub Cadet LLC • P.O. Box 361131 • Cleveland, OH • 44136-0019



**ADVERTENCIA:** La presencia de este símbolo indica que se trata de instrucciones importantes de seguridad que se deben respetar para evitar poner en peligro su seguridad personal y/o material y la de otras personas. Lea y siga todas las instrucciones de este manual antes de poner en funcionamiento esta máquina. Si no respeta estas instrucciones puede provocar lesiones personales. Cuando vea este símbolo. **¡TENGA EN CUENTAS LAS ADVERTENCIAS!**

## PROPOSICIÓN 65 DE CALIFORNIA



**ADVERTENCIA:** El escape del motor de este producto, algunos de sus componentes y algunos componentes del vehículo contienen o liberan sustancias químicas que el estado de California considera que pueden producir cáncer, defectos de nacimiento u otros problemas reproductivos.



**ADVERTENCIA:** Los bornes de la batería y los accesorios afines contienen plomo y compuestos de plomo, sustancias químicas que según lo establecido por el Estado de California causan cáncer y daños en el sistema reproductivo. *Lávese las manos después de estar en contacto con estos componentes.*



**PELIGRO:** Esta máquina está diseñada para ser utilizada respetando las normas de seguridad contenidas en este manual. Al igual que con cualquier tipo de equipo motorizado, un descuido o error por parte del operador puede producir lesiones graves. Esta máquina es capaz de amputar manos y pies y de arrojar objetos con gran fuerza. De no respetar las instrucciones de seguridad siguientes se pueden producir lesiones graves o la muerte.

## Funcionamiento general

1. Lea, entienda y cumpla todas las instrucciones incluidas en la máquina y en los manuales antes de montarla y utilizarla. Guarde este manual en un lugar seguro para consultas futuras y periódicas, así como para solicitar repuestos.
2. Familiarícese con todos los controles y con el uso adecuado de los mismos. Sepa cómo detener la máquina y desactivar los controles rápidamente.
3. No permita nunca que los niños menores de 14 años utilicen esta máquina. Los niños de 14 años en adelante deben leer y entender las instrucciones de operación y normas de seguridad contenidas en este manual, y en la máquina y deben ser entrenados y supervisados por un adulto.
4. Nunca permita que los adultos operen esta máquina sin recibir antes la instrucción apropiada.
5. Para ayudar a evitar el contacto con las cuchillas o una lesión por algún objeto que sea arrojado, mantenga a los observadores, a los ayudantes, niños y mascotas alejados al menos 25 metros de la máquina mientras está en funcionamiento. Detenga la máquina si alguien entra en la zona.
6. Inspeccione minuciosamente el área donde utilizará el equipo. Retire todas las piedras, palos, cables, huesos, juguetes y otros objetos extraños que podrían ser recogidos y arrojados por la acción de las cuchillas. Los objetos arrojados por la máquina pueden producir lesiones graves.
7. Planifique el patrón de corte del césped que ha de seguir para evitar la descarga de material hacia los caminos, las veredas, los observadores, etc. Evite además descargar material contra las paredes y obstrucciones que podrían provocar que el material descargado rebote contra el operador.
8. Para protegerse los ojos utilice siempre anteojos o antiparras de seguridad mientras opera la máquina o mientras la ajusta o repara. Los objetos arrojados que rebotan pueden producir lesiones oculares graves.
9. Utilice zapatos de trabajo resistentes, de suela fuerte, así como pantalones y camisas ajustados. Las prendas sueltas o las alhajas pueden quedar atrapadas en las piezas móviles. Nunca opere la máquina descalzo o con sandalias.



10. Esté atento a la cortadora y a la dirección de la descarga de los aditamentos y no apunte a nadie. Nunca opere la cortadora de césped sin que estén en su lugar apropiado la cubierta de descarga o el colector de recortes de césped.
11. No ponga las manos o los pies cerca de las piezas rotatorias o debajo de la plataforma de corte. El contacto con las cuchillas puede producir la amputación de manos y pies.
12. Una cubierta de descarga faltante o dañada puede provocar el contacto con la cuchilla o lesiones por objetos arrojados.
13. Detenga la(s) cuchilla(s) cuando atraviere senderos, sendas o caminos de grava y cuando no esté cortando el césped.
14. Vigile el tránsito vehicular cuando esté operando cerca de o en cruces de caminos. Esta máquina no debe utilizarse en la vía pública.
15. No opere esta máquina bajo los efectos del alcohol o de drogas.
16. Corte el césped solamente con luz de día o con una buena luz artificial.
17. Nunca transporte pasajeros.
18. Desenganche la(s) cuchilla(s) antes de colocar la marcha atrás. Retroceda lentamente. Siempre mire hacia abajo y hacia atrás antes y mientras retrocede, para evitar accidentes.
19. Reduzca la velocidad antes de dar la vuelta. Opere la máquina suavemente. Evite la operación errática y la velocidad excesiva.
20. Desenganche la(s) cuchilla(s), coloque el freno de estacionamiento, detenga el motor y espere hasta que la(s) cuchilla(s) se detenga(n) por completo antes de retirar el colector de césped, vaciar los recortes, destapar el canal, retirar restos de césped o desechos, o hacer cualquier ajuste.
21. Nunca deje la máquina en funcionamiento sin vigilancia. Apague siempre las cuchillas, coloque la transmisión en neutral, coloque el freno de mano, detenga el motor y retire la llave antes de bajarse del vehículo.
22. Tenga sumo cuidado al cargar o descargar la máquina en un remolque o camión. Esta unidad no debe conducirse en ascenso o descenso de rampas, porque podría ladearse y provocar lesiones personales graves. En las rampas la máquina se debe empujar manualmente para cargarla o descargarla correctamente.
23. El silenciador y el motor se calientan y pueden causar quemaduras. No los toque.
24. Revise el espacio libre por encima de la cabeza antes de conducir bajo las ramas bajas de árboles, cables, cerramientos de puertas, etc. en los cuales el operador podría atorarse o ser empujado fuera de la máquina, lo que podría resultar en lesiones graves.
25. Desenganche todos los embragues de los accesorios, presione totalmente el pedal del freno y cambie a neutral antes de intentar arrancar el motor.
26. La máquina está diseñada para cortar césped residencial normal, con una altura no mayor a 10". No intente cortar césped demasiado crecido, seco (por ej., pastura) ni pilas de hojas secas. El césped y las hojas secas pueden entrar en contacto con el escape del motor y/o acumularse en la plataforma de la cortadora de césped, convirtiéndose en un peligro de incendio.
27. Utilice solamente accesorios y aditamentos aprobados para esta máquina por el fabricante de la misma. Lea, comprenda y siga todas las instrucciones proporcionadas con los accesorios o aditamentos aprobados.

28. Los datos estadísticos muestran que los operadores de 60 años y mayores se ven involucrados en un alto porcentaje de lesiones relacionadas con tractores corta césped. Estos operadores deben evaluar su capacidad para operar el tractor corta césped en forma suficientemente segura para protegerse a ellos mismos y a los demás contra lesiones graves.
29. Si se presentan situaciones que no están previstas en este manual, sea cuidadoso y use el sentido común. Si necesita ayuda, póngase en contacto con su representante de asistencia al cliente.

### **Funcionamiento en pendientes**

Las pendientes son un factor importante relacionado con accidentes por derrape y vuelcos que pueden producir lesiones graves e incluso la muerte. La operación en pendientes requiere mayor precaución. Si no puede retroceder en la pendiente o si no se siente seguro, no realice ninguna operación de corte. Para su seguridad, use el indicador de pendientes que se incluye como parte de este manual para medir la pendiente antes de operar la máquina en una zona inclinada. Si la pendiente es mayor de 15 grados según el medidor, no opere esta máquina en ese sector, pues podría causar lesiones graves.

### **Haga lo siguiente:**

1. Pude hacia arriba y abajo de las pendientes, no de forma transversal. Tenga cuidado cuando cambie de dirección al operar en pendiente.
2. Esté atento a los hoyos, surcos, baches, rocas, u otros objetos ocultos. El terreno desnivelado puede voltear la máquina. El césped alto puede ocultar obstáculos.
3. Vaya a baja velocidad. Elija una velocidad lo suficientemente baja, de modo que no tenga que detenerse o hacer cambios mientras está sobre la pendiente. Los neumáticos podrían perder tracción sobre las pendientes aún cuando los frenos funcionaran apropiadamente. Siempre mantenga la máquina en cambio mientras desciende las pendientes, para poder frenar con el motor.
4. Siga las recomendaciones del fabricante para los pesos o contrapesos de las ruedas, para mejorar la estabilidad de la máquina.
5. Tenga especial cuidado con los colectores de césped u otros aditamentos. Los mismos pueden modificar la estabilidad de la máquina.
6. Haga que todos los movimientos en las pendientes sean lentos y graduales. No cambie repentinamente la velocidad ni la dirección. Un frenado o cambio de velocidad repentinos pueden causar que el frente de la máquina se levante y dé una voltereta hacia atrás, lo que podría producir lesiones graves.
7. Evite arrancar o detenerse en una pendiente. Si los neumáticos pierden la tracción, desenganche las cuchillas y descienda lentamente la pendiente.

### **No haga lo siguiente:**

1. No gire sobre las pendientes a menos que sea necesario. Si es posible, gire lentamente y gradualmente durante el descenso.
2. No corte el césped cerca de pozos, hundimientos o terraplenes. La cortadora de césped puede volcarse repentinamente si una de las ruedas está sobre el borde de un acantilado, zanja o si un borde se desmorona.
3. No intente estabilizar la máquina poniendo el pie en el suelo.
4. No utilice un colector de césped en pendientes empinadas.
5. No pade el césped húmedo. Una menor tracción podría causar derrapes.

6. No cambie a transmisión neutral para descender. El exceso de velocidad puede hacer que el operador pierda el control de la máquina, ocasionando lesiones graves e incluso la muerte.
7. No remolque cargas pesadas detrás de los aditamentos (carrito de basura cargado, podadora de rodillos, etc) en pendientes mayores de 5 grados. Cuando se desplaza pendiente abajo, el peso adicional tiende a empujar el tractor y puede hacer que se pierda el control del mismo (por ejemplo, el tractor se puede acelerar, se reduce la capacidad para frenar y maniobrar, los accesorios pueden plegarse como un cortaplumas y hacer que el tractor vuelque).

## Niños

1. Pueden ocurrir accidentes trágicos si el operador no está atento a la presencia de niños. Por lo general, los niños se sienten atraídos por este tipo de máquinas y su funcionamiento. No entienden los riesgos ni los peligros. Nunca asuma que los niños permanecerán en el mismo lugar donde los vio por última vez.
  - a. Mantenga a los niños fuera del área de trabajo y bajo estricta vigilancia de un adulto responsable además del propio operador.
  - b. Esté alerta y apague la máquina si un niño ingresa al área.
  - c. Antes y mientras está retrocediendo, mire hacia atrás y cuide que no haya niños.
  - d. Nunca transporte niños, aún con la cuchilla apagada. Podrían caerse y resultar severamente heridos o interferir con la operación segura de la máquina.
  - e. Tenga extrema precaución cuando se aproxime a esquinas ciegas, portales, arbustos, árboles u otros objetos que puedan impedirle ver a un niño que se cruce en el recorrido de la máquina.
  - f. **Para evitar accidentes al operar en marcha atrás, siempre desenganche las cuchillas antes de colocar marcha atrás. Si está instalado, el “Modo Precaución Marcha Atrás” no debe utilizarse cuando hay niños u otras personas presentes.**
  - g. Mantenga a los niños alejados de los motores en marcha o calientes. Pueden sufrir quemaduras con un silenciador caliente.
  - h. Retire la llave cuando deje la máquina sin vigilancia, evite que una persona sin autorización la maneje.
2. No permita nunca que los niños menores de 14 años utilicen esta máquina. Los niños de 14 años en adelante deben leer y entender las instrucciones de operación y normas de seguridad contenidas en este manual, y en la máquina y deben ser entrenados y supervisados por un adulto.

## Remolque

1. Remolque únicamente con una máquina que cuente con un enganche diseñado para remolcar. No acople equipo remolcado excepto en el punto de enganche.
2. Siga las recomendaciones del fabricante en lo que respecta a los límites de peso de los equipos a remolcar y al remolque en pendientes.
3. Nunca permita la presencia de niños u otras personas dentro o sobre los equipos remolcados.
4. En las pendientes, el peso del equipo remolcado puede causar pérdida de tracción y pérdida de control de la máquina.
5. Desplácese lentamente y deje distancia adicional para frenado.
6. No cambie a transmisión neutral para descender.

## Servicio

### Manejo seguro de la gasolina:

1. Para evitar lesiones personales o daños materiales sea sumamente cuidadoso al manipular la gasolina. **La gasolina es sumamente inflamable y sus vapores pueden causar explosiones.** Se puede lesionar gravemente si derrama gasolina sobre usted o sobre la ropa, ya que ésta se puede incendiar. Lávese la piel y cámbiese de ropa de inmediato.
  - a. Utilice sólo los recipientes para gasolina autorizados.
  - b. Nunca llene los recipientes en el interior de un vehículo o camión o caja de remolque con recubrimiento plástico. Coloque siempre los recipientes en el piso y lejos del vehículo antes de realizar la carga.
  - c. Cuando sea factible, retire el equipo a gasolina del camión o remolque y llénelo en el suelo. Si esto no es posible, llene el equipo en un remolque con un contenedor portátil, en vez de hacerlo con una boquilla dispensadora de gasolina.
  - d. Mantenga la boquilla de llenado en contacto con el borde del depósito de combustible o con la abertura del recipiente en todo momento, hasta terminar la carga. No utilice un dispositivo de boquilla de apertura/cierre.
  - e. Apague todos los cigarrillos, cigarros, pipas y otras fuentes de combustión.
  - f. Nunca cargue combustible en la máquina en un espacio cerrado.
  - g. Nunca saque la tapa del combustible ni agregue combustible mientras el motor está caliente o en marcha. Deje que el motor se enfríe por lo menos dos minutos antes de volver a cargar combustible.
  - h. Nunca llene en exceso el depósito de combustible. Llene el tanque no más de ½ pulgada por debajo de la base del cuello del tapón de carga, para dejar espacio para la expansión del combustible.
  - i. Vuelva a colocar la tapa de la gasolina y ajústela bien.
  - j. Limpie el combustible que se haya derramado sobre el motor y el equipo. Traslade la máquina a otra zona. Espere 5 minutos antes de encender el motor.
  - k. Para reducir el riesgo de incendio, mantenga la máquina limpia de pasto, hojas y de acumulación de otros residuos. Limpie los derrames de aceite o combustible y saque todos los residuos embebidos de combustible.
  - l. Nunca guarde la máquina o el recipiente de combustible en un espacio cerrado donde haya fuego, chispas o luz piloto, como por ejemplo de calentadores de agua, calefactores de ambientes, hornos, secadores de ropa u otros aparatos a gas.
  - m. Deje que la máquina se enfríe cinco minutos por lo menos antes de guardarla.

### Servicio general

1. Nunca encienda el motor en espacios cerrados o en una zona con poca ventilación. El escape del motor contiene monóxido de carbono, un gas inodoro y letal.

2. Antes de limpiar, reparar o inspeccionar la máquina, compruebe que la(s) cuchilla(s) y todas las partes en movimiento se hayan detenido. Desconecte el cable de la bujía y póngalo haciendo masa contra el motor para evitar que se encienda accidentalmente.
3. Revise periódicamente para asegurarse que las cuchillas se detengan por completo en aproximadamente cinco (5) segundos después de accionar el control de desenganche de la(s) cuchilla(s). Si las cuchillas no se detienen dentro de este lapso de tiempo, su unidad deberá ser reparada por su distribuidor de servicio autorizado MTD.
4. Revise con frecuencia el funcionamiento del sistema de frenos ya que está sujeto a desgaste por la operación normal. Ajuste y efectúe mantenimiento según se requiera.
5. Revise los pernos de montaje de la(s) cuchilla(s) y del motor a intervalos frecuentes para verificar que estén bien apretados. Además, inspeccione visualmente la(s) cuchilla(s) en busca de daños (por ejemplo, desgaste excesivo, abolladuras, rajaduras, etc.). Reemplace la(s) cuchilla(s) únicamente con las cuchillas de fabricantes de equipos originales (O.E.M.) listadas en este manual. "El uso de piezas que no cumplen con las especificaciones del equipo original podría tener como resultado un rendimiento incorrecto y además poner en riesgo la seguridad".
6. Las cuchillas de las podadoras son muy afiladas. Envuelva la cuchilla o utilice guantes y extreme las precauciones cuando efectúe mantenimiento.
7. Mantenga todos los pernos, tuercas y tornillos bien ajustados para asegurarse de que la máquina se encuentra en condiciones seguras de operación.
8. Nunca altere el sistema de enclavamiento de seguridad ni otros mecanismos de seguridad. Controle periódicamente que funcionen correctamente.
9. Después de golpear con algún objeto extraño, detenga el motor, desconecte el cable de la bujía y conecte el motor a masa. Inspeccione minuciosamente la máquina para ver si está dañada. Repare el daño antes de arrancar y utilizar la máquina.
10. Nunca trate de hacer ajustes o reparaciones a la máquina mientras el motor está en marcha.
11. Los componentes del colector de césped y la cubierta de descarga, están sujetos a desgaste y daños que podrían dejar expuestas partes en movimiento o permitir que se arrojen objetos. Para proteger su seguridad, verifique frecuentemente todos los componentes y reemplácelos inmediatamente sólo con piezas de los fabricantes del equipo original, listados en este manual. "El uso de piezas que no cumplen con las especificaciones del equipo original podría tener como resultado un rendimiento incorrecto y además poner en riesgo la seguridad".
12. No cambie la configuración del regulador del motor ni lo opere a sobrevelocidad. El regulador del motor controla la velocidad máxima segura de funcionamiento del motor.
13. Mantenga o reemplace las etiquetas de seguridad e instrucciones según sea necesario.
14. Respete las normas referentes a la disposición correcta y las reglamentaciones sobre gasolina, aceite, etc. para proteger el medio ambiente.
15. Según la Comisión de Seguridad de Productos para el Consumidor de los Estados Unidos (CPSC) y la Agencia de Protección Ambiental de los Estados Unidos (EPA), este producto tiene una *vida útil media* de siete (7) años, ó 270 horas de funcionamiento. Al finalizar la *vida útil media*, adquiera una máquina nueva o haga inspeccionar anualmente ésta por un distribuidor de servicio autorizado para cerciorarse de que todos los sistemas mecánicos y de seguridad funcionan correctamente y no tienen excesivo desgaste. Si no lo hace, pueden producirse accidentes, lesiones o muerte.

## No modifique el motor

Para evitar lesiones graves o la muerte, no modifique el motor bajo ninguna circunstancia. Si cambia la configuración del regulador del motor el motor puede descontrolarse y operar a velocidades inseguras. Nunca cambie la configuración de fábrica del regulador del motor.

## Aviso referido a emisiones

Los motores que están certificados y cumplen con las regulaciones de emisiones federales EPA y de California para SORE (Equipos pequeños todo terreno) están certificados para operar con gasolina común sin plomo y pueden incluir los siguientes sistemas de control de emisiones: Modificación de motor (EM) y catalizador de tres vías (TWC) si están equipados de esa manera.

## Guardachispas



**ADVERTENCIA:** Esta máquina está equipada con un motor de combustión interna y no debe ser utilizada en un terreno agreste cubierto por bosque, malezas o hierba ni cerca del mismo excepto que el sistema de escape del motor esté equipado con un amortiguador de chispas que cumpla con las leyes locales o estatales correspondientes (si las hay).

Si se utiliza un amortiguador de chispas el operador lo debe mantener en condiciones de uso adecuadas. En el Estado de California las medidas anteriormente mencionadas son exigidas por ley (Artículo 4442 del Código de Recursos Públicos de California). Es posible que existan leyes similares en otros estados. Las leyes federales se aplican en territorios federales. Puede conseguir el amortiguador de chispas para el silenciador a través de su distribuidor de mantenimiento de motores autorizado más cercano o poniéndose en contacto con el departamento de servicios, Apartado Postal 361131 Cleveland, Ohio 44136-0019.











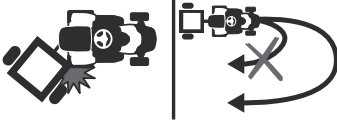


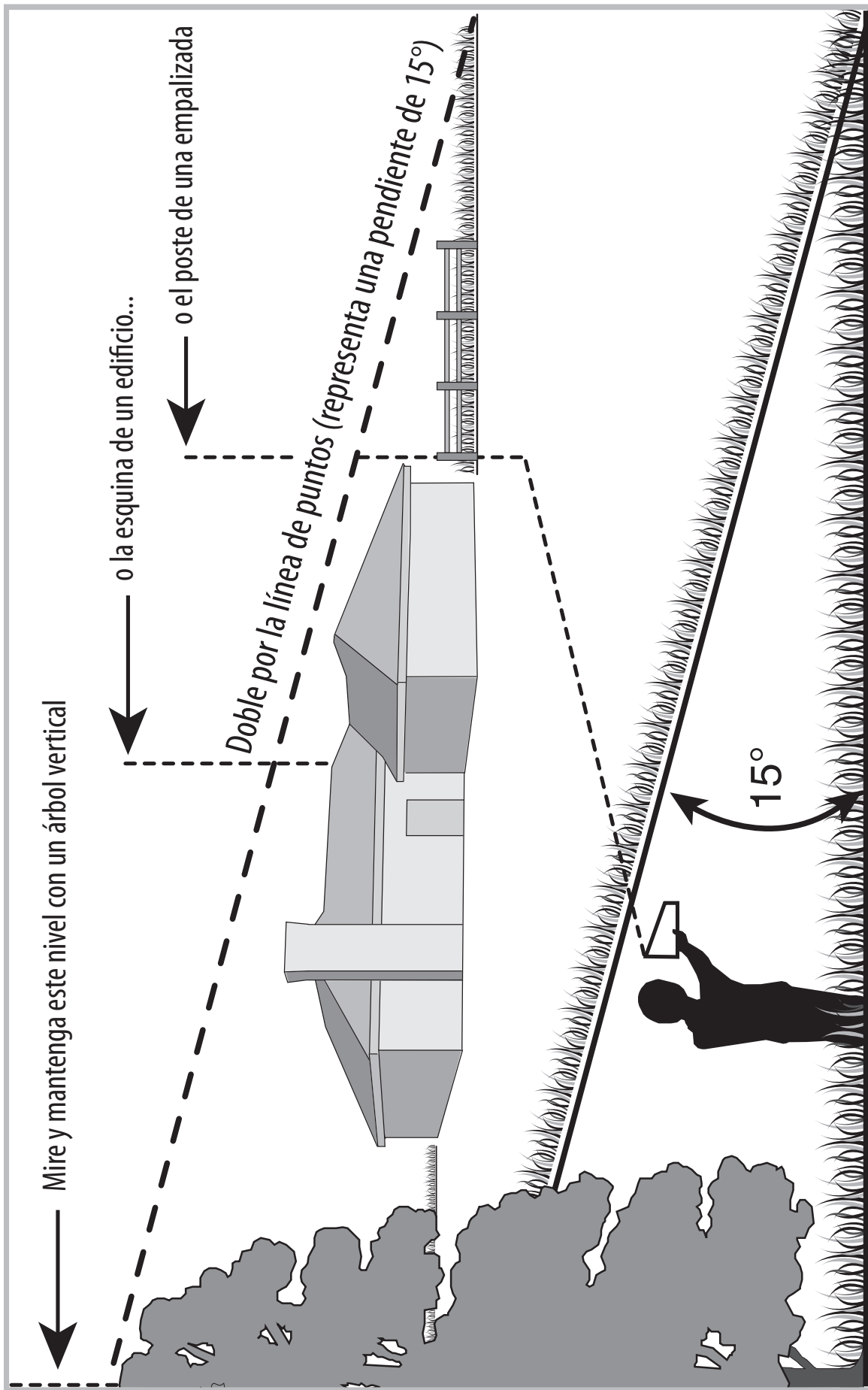
**ADVERTENCIA:** Su responsabilidad—Restrinja el uso de esta máquina motorizada a las personas que lean, comprendan y respeten las advertencias e instrucciones que figuran en este manual y en la máquina.

**GUARDE ESTAS INSTRUCCIONES**

## Safety Symbols

This page depicts and describes safety symbols that may appear on this product. Read, understand, and follow all instructions on the machine before attempting to assemble and operate.

Symbol	Description
	LEA EL MANUAL(S) DEL OPERADOR leído, entienda, y siga todas las instrucciones en el manual(s) antes de procurar montar y funcionar
	PELIGRO— DÉ EL CORTE DE PIE Nunca transporte pasajeros. Nunca transporte niños, aún con la cuchilla apagada.
	PELIGRO— DÉ EL CORTE DE PIE Retroceda lentamente. Siempre mire hacia abajo y hacia atrás antes y mientras retrocede, para evitar accidentes.
	PELIGRO— DÉ EL CORTE DE PIE Guarde manos y pies lejos de hacer girar partes.
	PELIGRO— ESCOMBROS LANZADOS Quite objetos que pueden ser lanzados por la lámina en cualquier dirección. Lleve gafas de seguridad..
	PELIGRO— ESCOMBROS LANZADOS Quite objetos que pueden ser lanzados por la lámina en cualquier dirección. Lleve gafas de seguridad.
	PERSONAS PRESENTES Guarde a las personas presentes, a los ayudantes y a niños por lo menos 75 pies lejos.
	PELIGRO— CUESTAS Use extra la precaución en cuestas. No siegue cuestas mayores que 15°.
	ADVERTENCIA — SUPERFICIE CALIENTE Las partes del motor, especialmente el silenciador, llega a ser muy caliente durante la operación. Permita motor y silenciador para ponerse frío antes de tocar.
	PELIGRO— GIRANDO HOJAS Para reducir el riesgo de herida, guarde manos y pies lejos. No funcione a menos que la tapa de descarga o el receptor de hierba estén en su lugar apropiado. De ser dañado, sustituya inmediatamente.
	ADVERTENCIA— REMOLCAR Evite navaja al remolcar. Vaya lento y haga vueltas anchas..



Use esta página como guía para determinar en qué pendientes no puede operar el tractor de manera segura.



**ADVERTENCIA:** No opere la cortadora de césped en dichas pendientes. No corte en inclinaciones mayores de 15 grados (elevación aproximada de 2 1/2 pies por cada 10 pies). El tractor corta césped podría voltearse y causar lesiones graves. En las pendientes opere con los tractores corta-césped hacia arriba y abajo, nunca de forma transversal.



## Contenido del cajón

- Un tractor corta césped
- Un tubo de drenaje de aceite
- Un acoplador de manguera para lavado de plataforma
- Un Manual del operador del tractor corta césped
- Un Manual del operador del motor Kohler

## Configuración del tractor

### Movimiento manual del tractor

Para mover el tractor manualmente, mueva la palanca de cambios a la posición neutral.

### Extracción de la traba de seguridad utilizada en el envío



**¡ADVERTENCIA!** Asegúrese de que el motor del tractor corta césped esté apagado, quite la llave de encendido y coloque el freno de mano antes de retirar la traba de seguridad utilizada en el envío.

1. Localice la traba de seguridad, si hubiere, y la etiqueta de advertencia encontrada en la parte derecha de la plataforma de corte. Vea la Fig. 3-1.

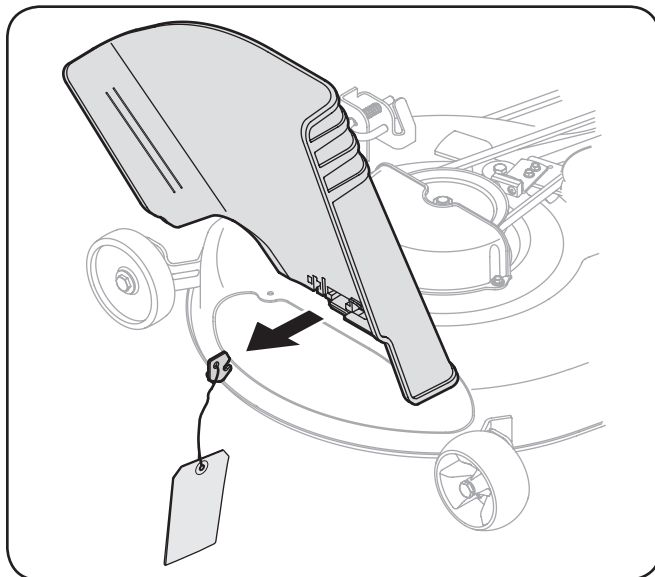


Figura 3-1

2. Mientras sostiene el canal de descarga con su mano izquierda, extraiga con la mano derecha la traba de seguridad, sujetándola entre los dedos pulgar e índice y rotándola en el sentido de las agujas del reloj.



**¡ADVERTENCIA!** La traba de seguridad se usa únicamente para el embalaje. Retire y deseche la traba de seguridad utilizada en el envío antes de operar su tractor corta césped.



**¡ADVERTENCIA!** La plataforma de la cortadora de césped puede arrojar objetos. En caso de operar la cortadora de césped sin colocar la cubierta de descarga en la posición adecuada para el funcionamiento, podrían producirse graves lesiones personales y/o daños materiales.

## Instalación del cable de la baterías



### PROPUESTA 65 DE CALIFORNIA

**ADVERTENCIA!** Los postes de la batería, terminales y accesorios relacionados contienen plomo y compuestos químicos, conocidos por el Estado de California que causan cáncer y daños en la reproducción. Lávese las manos después de la manipulación.



**PRECAUCIÓN:** Al conectarse cables de batería, siempre conectar los terminales positivo (rojo) de alambre a su terminal en primer lugar, seguido por el negativo (Negro) alambre.

**NOTA:** El borne positivo de la batería está marcado como Pos (+). El borne negativo de la batería está marcado como Neg (-).

**NOTA:** Si el cable de batería positivo ya está conectado, vaya directamente al paso 2

1. Retire la cubierta de plástico, si está presente, desde la terminal de la batería positivo y adjuntar el cable rojo a la terminal de la batería positivo (+) con el tornillo y la tuerca hexagonal. Ver Fig. 3-2.

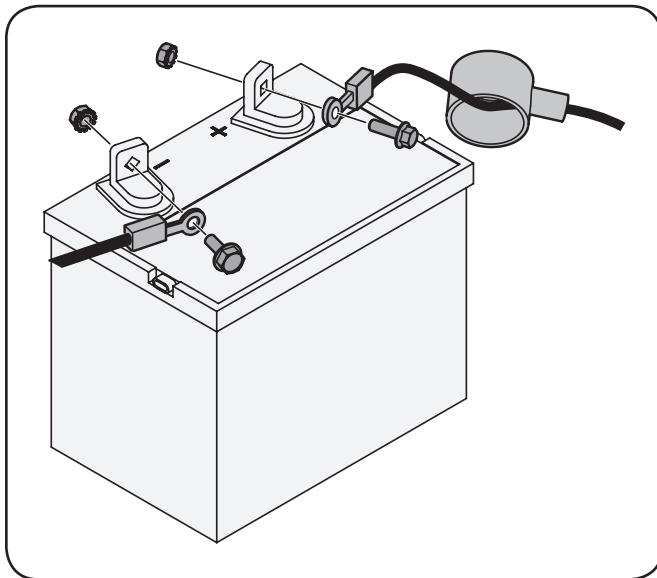


Figura 3-2

2. Retire la cubierta de plástico, si está presente, a partir de la negativa terminal de la batería y conectar el cable negro a la terminal de la batería negativo (-) con el tornillo y la tuerca hexagonal. Ver Fig. 3-2.
3. Coloque el caucho rojo de arranque en la terminal de la batería positivo para ayudar a proteger de la corrosión.

**NOTA:** Si la batería se pone en funcionamiento después de la fecha indicada en su parte superior o al costado de la misma, cárguela siguiendo las instrucciones de la sección Mantenimiento y Ajustes de este manual antes de operar el tractor.

## Control de la presión de los neumáticos



**¡ADVERTENCIA!** La presión máxima de los neumáticos en cualquier circunstancia es de 30 psi. Se debe mantener una presión uniforme para todos los neumáticos en todo momento.

Tal vez los neumáticos de la unidad hayan sido inflados en exceso para el envío del producto. Reduzca la presión de los neumáticos antes de operar el tractor. La presión de neumáticos recomendada para el funcionamiento es de aproximadamente 10 p.s.i. para los neumáticos traseros y de 14 p.s.i. para los neumáticos delanteros. Consulte en los laterales de los neumáticos la presión máxima en p.s.i.

## Ajuste de las ruedas de calibración de la plataforma

Mueva el tractor a una superficie firme y nivelada, preferentemente sobre el pavimento, y realice lo siguiente.

1. Seleccione la posición de altura de la plataforma de corte colocando la palanca de elevación de la plataforma en el ajuste de altura de corte deseado en situación normal (cualquiera de las seis muescas de altura de corte del lado derecho del guardabarros).
2. Controle si las ruedas de calibración están en contacto con la superficie de abajo o si hay excesiva separación. Debe haber una separación de entre 1/4 pulgada y 1/2 pulgada entre las ruedas de calibración y el suelo, según se indica a continuación:

Si las ruedas de calibración tienen excesiva separación respecto del suelo o están en contacto con el mismo, ajuste del siguiente modo:

- a. Levante la manija de elevación de la plataforma hasta el punto más alto.
- b. Retire las ruedas de calibración delanteras y traseras retirando las tuercas de sujeción y los tornillos con reborde que las ajustan a la plataforma. Vea la Fig. 3-3.

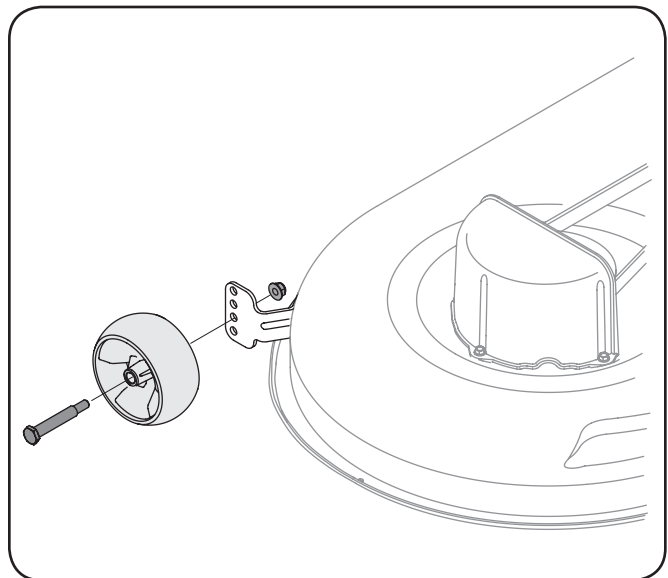


Figura 3-3

- c. Coloque la palanca de elevación de la plataforma en el ajuste de altura de corte deseado.
- d. Vuelva a insertar el tornillo con reborde (con cada rueda de calibración) dentro del orificio de posicionamiento que deja aproximadamente 1/2 pulgada entre la parte inferior de la rueda y el pavimento.

Consulte la sección Nivelación de la plataforma en la sección Mantenimiento de este manual para obtener instrucciones detalladas sobre diferentes ajustes de la plataforma.



## Ajuste del asiento

Para ajustar la posición del asiento, tire hacia arriba y mantenga la sede de ajuste. Deslice el asiento hacia adelante o hacia atrás a la posición deseada y luego suelte la palanca de ajuste. Asegúrese de que está bloqueado asiento en su posición antes de operar el tractor. Ver Fig. 6-4.

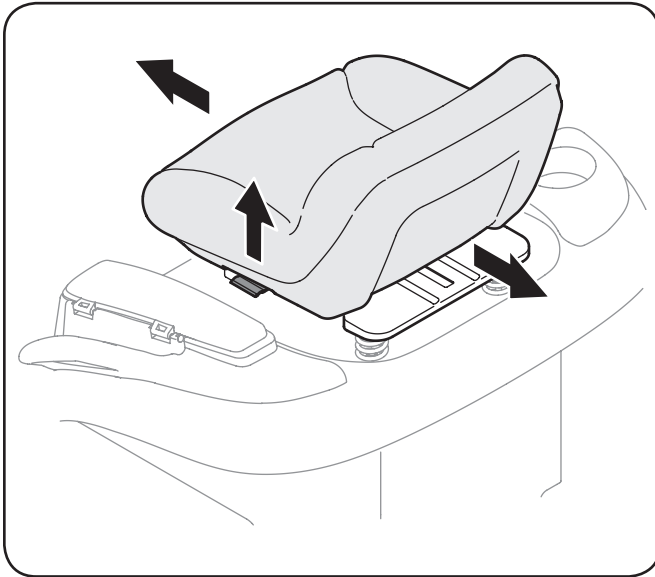


Figura 3-4



**¡ADVERTENCIA!** Antes de operar el tractor, asegúrese de que el asiento esté enganchado en el tope del asiento. Coloque el freno de mano. Párese detrás de la máquina y tire del asiento hacia atrás hasta que encaje en su lugar haciendo clic.

## Gasolina y aceite

El tanque de combustible está ubicado debajo del guardabarros y posee una capacidad de tres galones y medio. Quite la tapa de combustible girándola en sentido contrario al de las agujas del reloj. Utilice únicamente gasolina limpia, nueva (no más de 30 días de uso) y sin plomo. No llene en exceso el tanque de combustible.

Para los modelos de California equipado con una tapa sujeta, trinquete gorra, deje de llenar el tanque de combustible una vez que se ve el interior de la boca de llenado. Esto asegura que una expansión del volumen adecuado se crea. No llene en exceso el tanque de combustible. Consulte la Figura 3-5.

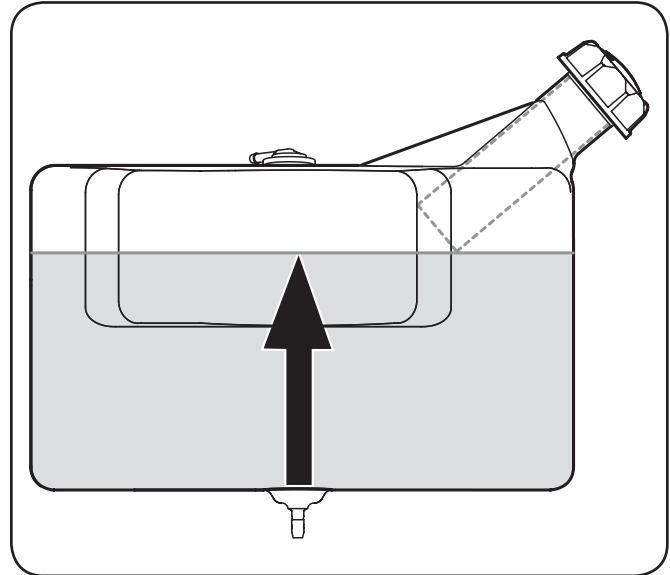


Figura 3-5



**¡ADVERTENCIA!** Tenga mucho cuidado al trabajar con gasolina. La gasolina es sumamente inflamable y sus vapores pueden causar explosiones. Nunca agregue combustible a la máquina en interiores ni mientras el motor está caliente o en funcionamiento. Apague los cigarrillos, cigarros, pipas y otras fuentes de combustión.

**NOTA:** Su tractor se envía con aceite en el motor. Sin embargo, usted DEBE controlar el nivel de aceite antes de hacerlo funcionar.



**PRECAUCIÓN:** Controle siempre el nivel de aceite del motor antes de usar la máquina según las instrucciones del Manual del propietario Kohler. Agregue aceite según sea necesario. De no hacerlo se pueden producir daños graves al motor.

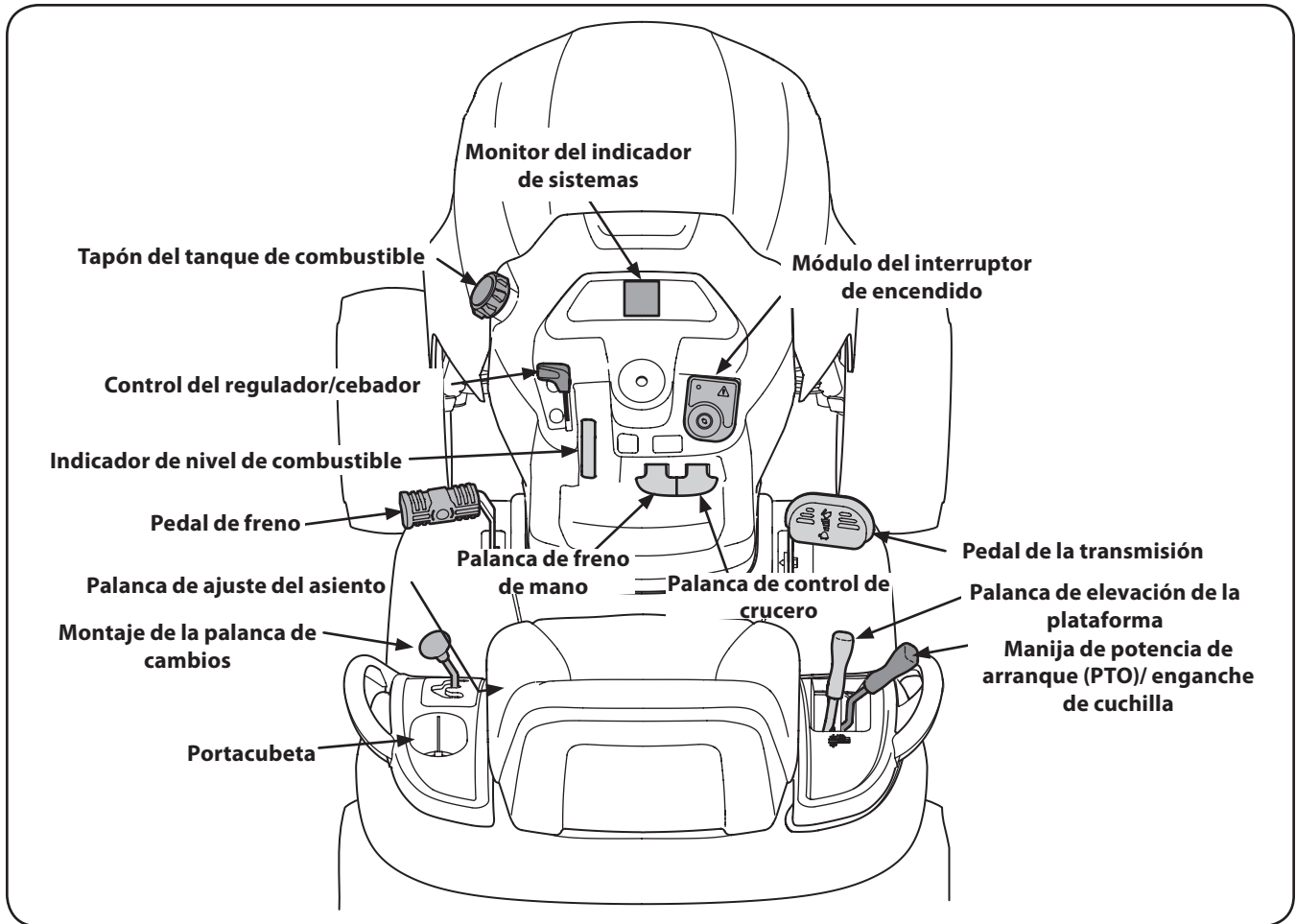


Figura 4-1

Los controles y características del tractor corta césped se ilustran en la Figura 4-1 y se describen en las páginas siguientes.



**¡ADVERTENCIA!** Lea y respete todas las normas de seguridad y las instrucciones de este manual, incluida la sección Funcionamiento en su totalidad, antes de intentar operar esta máquina. Si no respeta todas las normas de seguridad y las instrucciones puede provocar lesiones personales.

## Control del regulador/cebador

La palanca de control del regulador/cebador está ubicada del lado derecho del panel de instrumentos del tractor. Esta palanca controla la velocidad del motor y cuando se la empuja totalmente hacia adelante, cierra el cebador para un inicio en frío. Cuando se lo coloca en una posición determinada, el regulador mantiene una velocidad de motor uniforme.

**NOTA:** Cuando opere el tractor con la plataforma de corte colocada, asegúrese de que la palanca del regulador/cebador esté siempre en la posición FAST (rápido; representado por una liebre).



## Pedal de freno

El pedal de la transmisión está ubicado a la izquierda frontal del tractor, sobre el estribo. El pedal del freno puede utilizarse para realizar detenciones bruscas o para colocar el freno de mano.

**NOTA:** Se debe presionar totalmente el pedal del freno para activar el interruptor de bloqueo de seguridad al encender el tractor.

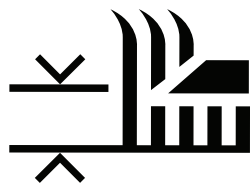


## Palanca de ajuste del asiento

El asiento de ajuste se encuentra en la parte delantera del asiento. Para ajustar el asiento hacia adelante o hacia atrás, deslice el asiento de ajuste a la izquierda y repositonar el asiento a la posición deseada. Una vez que una posición cómoda se encuentra, la puesta en libertad el asiento de ajuste para bloquear el asiento en su lugar. Consulte a la Asamblea General y puesta en marcha de este manual para obtener instrucciones más detalladas.

## Palanca de elevación de la plataforma

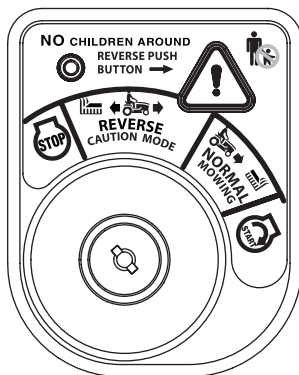
Ubicada en el guardabarros derecho del tractor, la palanca de elevación de la plataforma se utiliza para cambiar la altura de la plataforma de corte. Para utilizarla, mueva la palanca hacia la izquierda, luego colóquela en la muesca que mejor se adapte a la aplicación deseada.



### Módulo del interruptor de encendido

#### ¡ADVERTENCIA!

Nunca deje la máquina en funcionamiento sin vigilancia. Siempre desconecte la potencia de arranque (PTO), coloque el freno de mano, apague el motor y retire la llave, para evitar que alguien encienda accidentalmente el motor.



Para encender el motor, inserte la llave en el interruptor de encendido y gírela en el sentido de las agujas del reloj hacia la posición START (encendido). Suelte la llave en la posición MODO NORMAL DE CORTE una vez que haya arrancado el motor.



Para detener el motor, gire la llave de encendido en sentido contrario a las agujas del reloj hasta la posición STOP (DETENCIÓN).

**PRECAUCIÓN:** Antes de operar el tractor, remítase a ambos interruptores de bloqueo de seguridad y Puesta en Marcha del Motor en la sección Funcionamiento de este manual para ver instrucciones detalladas del Módulo del Interruptor de Encendido y del funcionamiento del tractor en el MODO PRECAUCIÓN MARCHA ATRÁS.

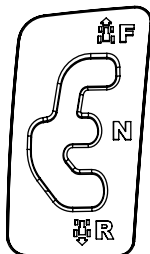
## Pedal de la transmisión

El pedal de la transmisión está ubicado a la derecha del tractor, sobre el estribo. Presione el pedal de transmisión hacia adelante para que el tractor se mueva hacia adelante. La velocidad absoluta también se controla con el pedal de la transmisión. Cuanto más se presione el pedal hacia adelante, más rápido se moverá el tractor. El pedal volverá a su posición original cuando deje de presionarlo.

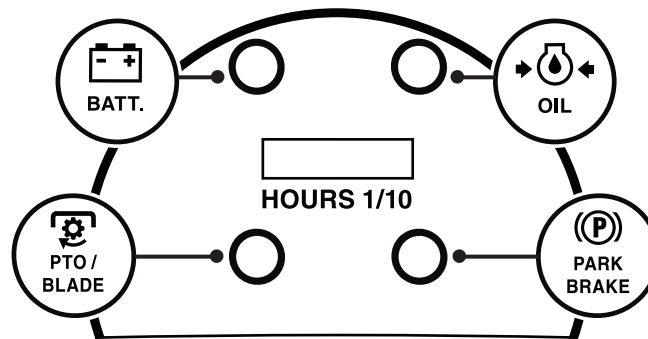


## Palanca de cambios

La palanca de cambios se utiliza para que el tractor se mueva hacia adelante, hacia atrás o se quede en posición neutral.



## Monitor del indicador de sistemas/ Pantalla LCD del medidor horario



Cuando la llave de encendido se rota fuera de la posición STOP (detención) pero no se coloca en la posición START (encendido), el monitor indicador de sistemas muestra la salida de la batería, en voltios, en su LCD (pantalla de cristal líquido) durante aproximadamente cinco segundos, y después muestra un reloj de arena y las horas de funcionamiento del tractor. Una vez que haya arrancado el tractor, el monitor continuamente muestra un reloj de arena y las horas de funcionamiento del tractor en su LCD.

**NOTA:** Las horas de funcionamiento del tractor se registran cada vez que la llave de encendido se rota fuera de la posición STOP (detención), independientemente de que se haya arrancado el motor.

El monitor del indicador también le recuerda al operador los intervalos de mantenimiento para el cambio de aceite del motor. La pantalla de cristal líquido parpadea alternativamente las horas registradas, "CHG" (CAMBIO) y "OIL" (ACEITE) durante cinco minutos, después de que hayan pasado 50 horas de funcionamiento registrado. El intervalo de mantenimiento dura dos horas (entre 50-52, 100-102, 150-152, etc.) La pantalla de cristal líquido también parpadea según se describe más arriba, durante cinco minutos, cada vez que el motor del tractor se enciende durante el intervalo de mantenimiento. Antes de que finalice el intervalo, cambie el nivel de aceite del motor según se indica en la sección Mantenimiento de este Manual del Operador.

### Freno

Si se ilumina la luz de freno al intentar encender el motor del tractor, presione el pedal del freno.

### Potencia de arranque (PTO) (enganche de cuchilla)

Si la luz de la potencia de arranque (PTO) se ilumina al intentar encender el motor del tractor, presione la perilla de potencia de arranque (PTO) en la posición desenganchada (OFF).

### Aceite

Es normal que la luz de aceite se ilumine cuando el motor está girando durante el arranque, pero si se ilumina durante la operación, cuando el motor está funcionando, detenga el tractor de inmediato y controle el nivel de aceite del motor según las instrucciones de este Manual del Propietario.

### Batería

Es normal que la luz de la batería se ilumine cuando el motor está girando durante el arranque, pero si se ilumina durante la operación, cuando el motor está funcionando, la batería necesita carga o el sistema de carga del motor no está generando amperaje suficiente. Controle la batería como se indica en la sección Servicio de este manual o haga que el sistema de carga sea verificado por su distribuidor Cub Cadet.

## Indicador de nivel de combustible

El indicador de nivel de combustible está ubicado a la derecha del panel de instrumentos del tractor e indica la cantidad de combustible en el tanque.



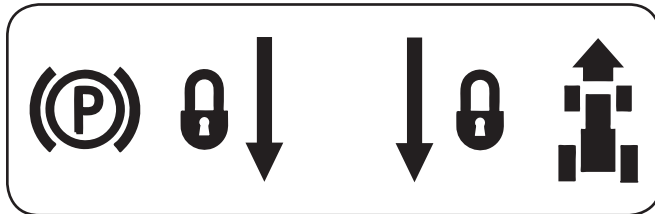
## Manija de potencia de arranque (PTO)/ enganche de cuchilla



Al conectar la potencia de arranque (PTO) se suministra alimentación a la plataforma de corte o a otros accesorios (disponibles por separado). Empuje hacia adelante la potencia de arranque/ enganche de cuchilla para activarla. Tire de la manija de potencia de arranque (PTO)/enganche de cuchilla para desconectar la energía de la plataforma de corte u otros accesorios (disponibles por separado).

**NOTA:** Al encender el motor, la manija de potencia de arranque (PTO)/enganche de cuchilla debe encontrarse en la posición de desconexión (OFF).

## Freno de mano / palanca de control de crucero



Localizada en el centro del panel de instrumentos del tractor debajo del volante, el freno de mano/palanca de control de crucero se utiliza para conectar el freno de mano y el control de crucero. Consulte la sección de Funcionamiento de este manual para ver instrucciones detalladas con respecto al freno de mano.

**NOTA:** Si el operador abandona el asiento y deja el motor funcionando, deberá colocar el freno de mano, o el motor se apagará de forma automática.

**NOTA:** El control de crucero NO podrá activarse a la velocidad absoluta más rápida del tractor. Si el operador intenta activarlo en esas condiciones, el tractor se desacelerará automáticamente a la velocidad de corte absoluta óptima y más rápida.



**¡ADVERTENCIA!** Nunca deje la máquina en funcionamiento sin vigilancia. Siempre desconecte la potencia de arranque (PTO), coloque el freno de mano, apague el motor y retire la llave, para evitar que alguien encienda accidentalmente el motor.



## ADVERTENCIA

### PARA EVITAR LESIONES PERSONALES GRAVES O LA MUERTE

- EN LAS PENDIENTES PODE HACIA ARRIBA Y HACIA ABAJO, NO DE FORMA TRANSVERSAL.
- EVITE MANIOBRAS DE GIRO BRUSCAS.
- NO OPERE LA UNIDAD EN ÁREAS DONDE PUEDE DERRAPAR O TROPEZAR
- SI LA MÁQUINA DEJA DE SUBIR LA PENDIENTE, DETENGA LA(S) CUCHILLA(S) Y RETROCEDA LENTAMENTE CUESTA ABAJO
- MANTENGA TODOS LOS DISPOSITIVOS DE SEGURIDAD (PROTECCIONES, ESCUDOS, INTERRUPTORES, ETC.) EN SU LUGAR Y EN CORRECTO FUNCIONAMIENTO.
- RETIRE LOS OBJETOS QUE PUEDAN SER ARROJADOS POR LA(S) CUCHILLA(S).
- CONOZCA LA UBICACIÓN Y FUNCIÓN DE TODOS LOS CONTROLES.
- ASEGÚRESE QUE LA(S) CUCHILLA(S) Y EL MOTOR SE DETENGAN ANTES DE COLOCAR LAS MANOS O LOS PIES CERCA DE LA(S) CUCHILLA(S).
- ANTES DE ABANDONAR LA POSICIÓN DEL OPERADOR, DESENGANCHE LA(S) CUCHILLA(S), APAGUE EL MOTOR, COLOQUE EL FRENO DE MANO Y RETIRE LA LLAVE.

**LEA EL MANUAL DEL OPERADOR**

## Interruptores de bloqueo de seguridad

Este tractor está equipado con un sistema de bloqueo de seguridad para protección del operador. Si el sistema de bloqueo funciona mal, no se debe hacer funcionar el tractor. Póngase en contacto con su distribuidor Cub Cadet.

- El sistema de bloqueo de seguridad impide que el motor arranque o se encienda a menos que esté colocado el freno de mano, y la palanca de potencia de arranque (PTO) (enganche de cuchilla) esté en posición desconectada (OFF).
- Si el operador abandona su asiento antes de colocar el freno de mano, el motor se apagará automáticamente.
- El embrague de la potencia de arranque (PTO) (enganche de cuchilla) eléctrica se apagará automáticamente si el operador abandona el asiento del tractor con la perilla de la potencia de arranque (PTO) (enganche de cuchilla) en la posición de suministro de energía (ON), independientemente de que el freno de mano esté colocado o no.
- Con la llave de encendido en la posición de CORTE NORMAL, el embrague de la potencia de arranque (PTO) (enganche de cuchilla) eléctrica se desconectará automáticamente si la perilla de la potencia de arranque PTO (enganche de cuchilla) se coloca en posición de suministro de energía (ON) con el pedal de transmisión en marcha atrás.



**¡ADVERTENCIA!** No opere el tractor si el sistema de bloqueo funciona mal. Este sistema fue diseñado para brindarle seguridad y protección.

## Encendido del motor

**NOTA:** Consulte la sección Configuración y Montaje de este manual para obtener instrucciones sobre el llenado de aceite y gasolina.

1. Inserte la llave del tractor en el módulo del interruptor de encendido.
2. Coloque la palanca de la potencia de arranque (PTO) (enganche de cuchilla) en la posición OFF (desconectada).
3. Coloque el freno de mano del tractor.
4. Active el control del cebador moviendo el control del regulador/ cebador completamente hacia adelante en la posición de cebador.
5. Gire la llave de encendido en el sentido de las agujas del reloj hasta la posición START (ENCENDIDO). Una vez que arranque el motor, suelte la llave. Volverá a la posición de CORTE NORMAL.



**PRECAUCIÓN:** NO mantenga la llave en la posición START (ARRANQUE) durante más de diez segundos por vez. Si lo hace, puede ocasionar daños al arrancador eléctrico del motor.

1. Una vez que arranque el motor, desactive el control del cebador.

**NOTA:** NO deje el control del obturador activado mientras opera el tractor. Si lo hace, se generará una mezcla "rica" de combustibles, lo cual hará que el motor pierda intensidad.

## Detención del motor



**¡ADVERTENCIA!** Si golpea contra algún objeto extraño, detenga el motor y desconecte el(los) cable(s) de las bujías. Inspeccione minuciosamente la máquina para ver si está dañada. Repare el daño antes de volver a encender el motor y operar la máquina.

1. Si las cuchillas están enganchadas, coloque la palanca de la potencia de arranque (PTO) (enganche de cuchilla) en la posición OFF (desconectada).
2. Coloque el control del regulador/cebador en la posición VELOCIDAD LENTA.
3. Gire la llave de encendido en sentido contrario a las agujas del reloj a la posición STOP (parar).
4. Retire la llave del interruptor de encendido para evitar que alguien encienda accidentalmente el motor.

## Conducción del tractor



**¡ADVERTENCIA!** Evite arrancar súbitamente, desarrollar excesiva velocidad y detenerse de repente.

1. Presione levemente el pedal del freno para liberar el freno de mano. Mueva la palanca del regulador a la posición FAST (VELOCIDAD RÁPIDA, representada por una liebre).
2. Para conducir hacia adelante, presione suavemente la parte superior del pedal de transmisión hacia adelante hasta que se alcance la velocidad deseada. Vea la Fig. 5-1.
3. Para conducir marcha atrás, verifique que el área detrás esté

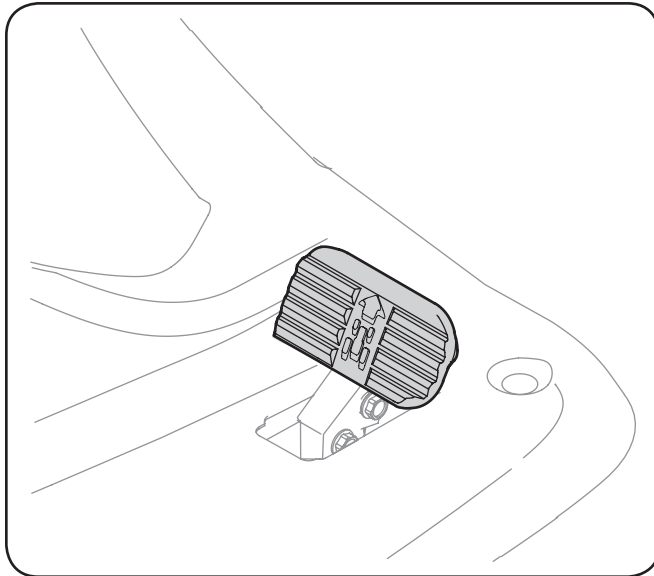


Figura 5-1

despejada y que el freno de mano del tractor esté colocado, y luego mueva la palanca de cambios en la posición de marcha atrás. Presione ligeramente el pedal de freno para liberar el freno de mano y luego presione lentamente el pedal de transmisión hasta que se haya alcanzado la velocidad deseada.



**PRECAUCIÓN:** NO intente cambiar la dirección de desplazamiento mientras el tractor esté en movimiento. Siempre lleve el tractor a una parada completa antes de girar el pedal de transmisión desde la posición de avance a la de marcha atrás o viceversa.



**¡ADVERTENCIA!** No abandone el asiento del tractor sin colocar primero la perilla de PTO/enganche de cuchilla en la posición de corte de energía (OFF) y colocar el freno de mano. Si deja el tractor sin vigilancia, apague el motor y retire la llave de encendido.

## Modo de precaución en marcha atrás

La posición MODO DE PRECAUCIÓN EN MARCHA ATRÁS del módulo del interruptor de llave permite operar el tractor en marcha atrás con las cuchillas (toma de fuerza - PTO) enganchadas.

**NOTA:** No se recomienda cortar el césped en marcha atrás.



**¡ADVERTENCIA!** Tenga mucho cuidado cuando opere el tractor en MODO DE PRECAUCIÓN EN MARCHA ATRÁS. Mire siempre hacia abajo y hacia atrás antes y mientras opera marcha atrás. No opere el tractor cuando haya niños u otras personas en el lugar. Detenga el tractor inmediatamente si alguien ingresa en la zona.

Para utilizar el MODO DE PRECAUCIÓN EN MARCHA ATRÁS:

**NOTA:** El operador DEBE estar sentado en el asiento del tractor.

1. Arranque el motor según las instrucciones de la página anterior.
2. Gire la llave desde la posición de PODA NORMAL (verde) hasta la posición de MODO DE PRECAUCIÓN EN MARCHA ATRÁS (amarillo) del módulo del interruptor de llave. Vea la Fig. 5-2.

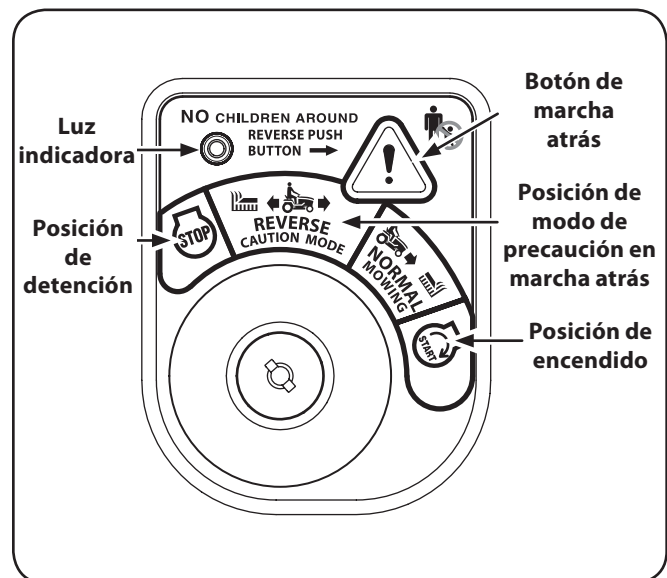


Figura 5-2

3. Presione el BOTÓN DE MARCHA ATRÁS (botón triangular de color naranja) en la esquina superior derecha del módulo del interruptor de llave. La luz indicadora roja en la esquina superior izquierda del módulo del interruptor de llave se mantiene encendida (ON) mientras esté activado. Vea la Fig. 5-2.
4. Una vez activado (con la luz indicadora encendida), el tractor podrá operar en marcha atrás con las cuchillas de corte (PTO – potencia de arranque) enganchadas.
5. Siempre mire hacia abajo y hacia atrás antes y mientras opera en marcha atrás, para asegurarse de que no haya niños en el área. Una vez retomada la marcha hacia adelante, vuelva a colocar la llave en la posición CORTE NORMAL.

El MODO DE PRECAUCIÓN EN MARCHA ATRÁS permanece activado hasta que:

- a. Se coloque la llave en la posición CORTE NORMAL o en la posición STOP (detención) o
- b. El operador abandona el asiento.

## Operación en pendientes

Consulte la sección INDICADOR DE PENDIENTE en la página 8 para determinar en qué pendientes puede operar el tractor de manera segura.



**¡ADVERTENCIA!** No corte el césped en inclinaciones mayores a 15 grados (elevación aproximada de 2-½ pies cada 10 pies). El tractor podría voltearse y causar lesiones severas.

- En las pendientes corte hacia arriba y hacia abajo, NUNCA en forma transversal.
- Tenga mucho cuidado al cambiar de dirección en una pendiente.
- Esté atento a los hoyos, surcos, baches, rocas u otros objetos ocultos. El terreno desnivelado puede voltear la máquina. El césped alto puede ocultar obstáculos.
- Evite realizar giros cuando opere en una pendiente. Si debiera realizar un giro, hágalo pendiente abajo. Subir una pendiente aumenta enormemente las posibilidades de que el vehículo dé una vuelta de campana.
- Evite detenerse cuando suba una pendiente. Si fuese necesario detenerse mientras sube una pendiente, arranque suave y cuidadosamente para reducir la posibilidad de que el tractor dé una voltereta hacia atrás.

## Colocación del freno de mano

**NOTA:** Si el operador abandona el asiento y deja el motor funcionando, deberá colocar el freno de mano, o el motor se apagará de forma automática.

Para colocar el freno de mano:

1. Presione el pedal del freno completamente hacia abajo con el pie izquierdo y manténgalo en posición.
2. Empuje la palanca del freno de mano hacia abajo y manténgala en esa posición.
3. Retire su pie del pedal de freno.
4. Afloje la presión de la palanca del freno de mano.

Después de completar el paso 3, el pedal de freno debe permanecer en posición abajo. Si no lo hace, el freno de mano no *está* enganchado. Repita los pasos 1-4 para engancharlo.

Para desenganchar el freno de mano, presione levemente el pedal de freno.



**¡ADVERTENCIA!** Nunca deje la máquina en funcionamiento sin vigilancia. Siempre desconecte la potencia de arranque (PTO), coloque el freno de mano, apague el motor y retire la llave, para evitar que alguien encienda accidentalmente el motor.

## Activación del control de crucero



**¡ADVERTENCIA!** Nunca enganche la palanca de control de crucero mientras se desplaza en marcha atrás.

Para colocar el control de crucero:

1. Presione lentamente el pedal de transmisión con el pie derecho hasta que se alcance la velocidad deseada.
2. Presione levemente la palanca de control de crucero hacia abajo y manténgala en esa posición.

**NOTA:** El control de crucero no podrá activarse a la velocidad absoluta más rápida del tractor. Si el operador intenta activarlo en esas condiciones, el tractor se desacelerará automáticamente a la velocidad de corte absoluta óptima y más rápida.

1. Retire su pie del pedal de transmisión.
2. Afloje la presión de la palanca de control de crucero.

Después de completar el paso 3, el pedal de transmisión debe permanecer en posición abajo y el tractor debe mantener la misma velocidad hacia adelante. Si no lo hace, el control de crucero no *está* enganchado. Repita los pasos 1-4 para engancharlo.

Para desenganchar el control de crucero, presione levemente el pedal de transmisión o el pedal de freno.

Para cambiar la dirección de marcha adelante a marcha atrás cuando *está* enganchado el control de crucero, presione el pedal del freno para desactivar el control de crucero y hacer que el tractor se detenga por completo. Mueva la palanca de cambios a la posición de marcha atrás. Luego, presione lentamente el pedal de marcha atrás para desplazarse en marcha atrás.

## Utilización de la palanca de elevación de la plataforma

Para elevar la plataforma de corte, mueva la palanca de elevación de la plataforma hacia la izquierda y colóquela en la muesca que mejor se adapte a la aplicación deseada.

## Funcionamiento de los faros delanteros

Los faros se encienden (ON) cada vez que se rota la llave de encendido sacándola de la posición STOP (detención). Los faros se apagan (OFF) cuando se coloca la llave de encendido en la posición STOP (detención).



## Conexión de potencia de arranque (PTO)

Al conectar la potencia de arranque (PTO) se suministra alimentación a la plataforma de corte o a otros accesorios (disponibles por separado). Para conectar la PTO:

1. Mueva la palanca de control del regulador/cebador a la posición FAST (VELOCIDAD RÁPIDA, representada por una liebre).
2. Empuje hacia adelante la palanca de potencia de arranque (PTO) (enganche de cuchilla) hasta la posición ON (conectada).

**NOTA:** Haga funcionar el tractor siempre con la palanca del regulador/cebador en la posición FAST (rápido; representada por una liebre), para un uso más eficaz de la plataforma de corte o de otros accesorios (disponibles por separado).

## Corte de césped



**¡ADVERTENCIA!** Para tratar de evitar el contacto con las cuchillas o una lesión por algún objeto que sea arrojado, mantenga a los observadores, a los ayudantes, niños y mascotas alejados al menos 25 metros de la máquina mientras está en funcionamiento. Detenga la máquina si alguien se acerca.

La siguiente información será de utilidad cuando use la plataforma de corte con su tractor.



**¡ADVERTENCIA!** Planifique el patrón de corte, para evitar que la descarga de materiales se realice hacia los caminos, las veredas, los observadores, etc. Evite además descargar material contra las paredes u obstrucciones que podrían hacer que el material descargado rebote contra el operador.

- No corte a alta velocidad absoluta, especialmente si se ha instalado un juego de abonadora o un colector de césped.
- No corte el césped demasiado corto. El césped corto alienta el crecimiento de malezas y se pone amarillo rápidamente cuando escasea la lluvia.
- Siempre haga funcionar el tractor con la palanca del regulador en la posición RÁPIDA (liebre) mientras corta el césped.
- Para obtener los mejores resultados, se recomienda realizar los dos primeros cortes de césped arrojando la descarga hacia el centro. Después de las dos primeras vueltas, cambie la dirección para arrojar la descarga hacia afuera, para equilibrar el corte. Esto otorgará un mejor aspecto al césped.
- NO intente cortar malezas frondosas o césped extremadamente alto. El tractor fue diseñado para cortar el césped, NO para podar malezas.
- Mantenga las cuchillas afiladas y reemplácelas cuando se desgasten.

## Calendario de mantenimiento

	Antes de cada uso	Cada 10 horas	Cada 25 horas	Cada 50 horas	Cada 100 horas	Antes de almacenar
Limpie el capó/los respiraderos		✓				✓
Inspeccione el nivel de aceite del motor	✓					
Controle el filtro de aire para ver si hay piezas sucias, sueltas o dañadas	✓					
Limpie y vuelva a lubricar el depurador de espuma del filtro de aire			✓			
Reemplace el elemento del filtro de aire					✓	
Cambie el aceite del motor y reemplace el filtro de aceite				✓		
Limpie los bornes de la batería		✓				✓
Lubrique los ejes frontales y las llantas			✓			✓
Limpie las aletas de refrigeración del motor			✓			✓
Lubrique las ruedas delanteras de la plataforma			✓			✓
Lubrique los husillos de la plataforma			✓			✓
Lubrique los puntos de pivote del pedal		✓				✓
Inspeccione el estado y la separación de la bujía de encendido					✓	✓
Reemplace el filtro de combustible					✓	

## Mantenimiento



**¡ADVERTENCIA!** Antes de realizar tareas de mantenimiento o reparaciones, desconecte la potencia de arranque (PTO), coloque el freno de mano, apague el motor y retire la llave, para evitar que alguien encienda accidentalmente el motor.

### Motor

Consulte las instrucciones y procedimientos de mantenimiento del motor en el Manual del Propietario/Operador Kohler.

**NOTA:** El mantenimiento, la reparación o el reemplazo de los dispositivos y sistemas del control de emisiones, que corren por cuenta del cliente, pueden realizarlos cualquier establecimiento o individuo especializado en reparaciones de motores. **Las reparaciones cubiertas por la garantía deben ser llevadas a cabo por un distribuidor de Cub Cadet.**

## Cambio de aceite del motor



**¡ADVERTENCIA!** Si el motor se ha puesto en funcionamiento recientemente, el motor, silenciador y las superficies metálicas circundantes estarán calientes y pueden causar quemaduras en la piel. Tenga precaución para evitar quemaduras.

**NOTA:** El filtro del aceite debe reemplazarse en cada intervalo de cambio de aceite. Para completar el cambio de aceite, proceda de la siguiente manera:

1. Ponga el motor en marcha durante unos minutos para permitir que el aceite del cárter del motor se caliente. El aceite caliente circulará más libremente y transportará más del sedimento del motor que puede haberse depositado en la fondo del cárter. Tenga cuidado y evite quemarse con el aceite caliente.
2. Abra el capó del tractor y ubique el puerto de drenaje de aceite del lado izquierdo del motor.

- Abra el tapón protector en el extremo de la válvula de drenaje de aceite para dejar expuesto el orificio de drenaje. Vea la Fig. 6-1.

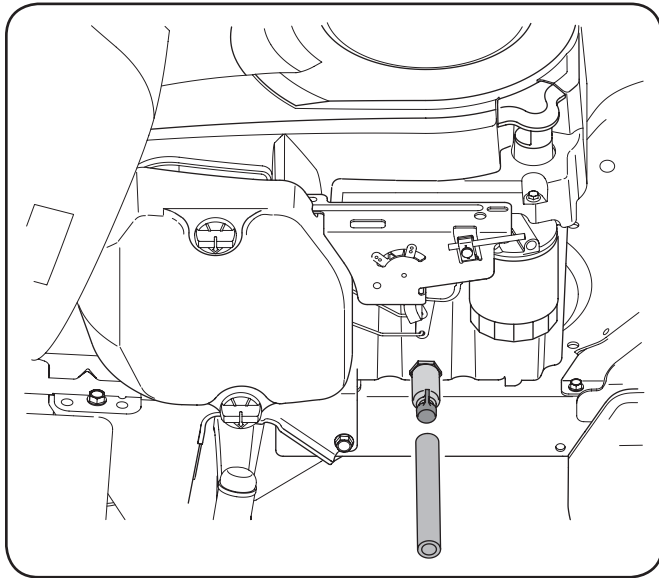


Figura 6-1

- Retire el tapón de llenado de aceite/la varilla de nivel de aceite del tubo de llenado.
- Inserte la manguera de drenaje de aceite (empaquetada con este manual) dentro del orificio de drenaje de aceite. Coloque el extremo opuesto de la manguera en un recipiente de recolección de aceite adecuado con capacidad para por lo menos 2.5 cuartos de galón (2,4 litros) para recoger el aceite usado.
- El motor está equipado con un giro y tirar de un puerto o una fuga de drenaje pestañas puerto. Si el motor tiene el toque y tirar de drenaje vaya al paso a. Si el motor está equipado con la fuga de pestañas, vaya al paso b.
  - Gire la válvula de drenaje de aceite 1/4-turn, y luego tire hacia afuera para comenzar el drenaje de aceite. Después de que el petróleo ha terminado de drenaje, empuje el extremo de la válvula de drenaje de aceite y en 1/4-turn para garantizar a su vez de vuelta en su lugar. Volver a tope el final de la válvula de drenaje de aceite para mantener los desechos entren en el puerto de drenaje.
  - Pellizque las lengüetas de la válvula de drenaje de aceite y, a continuación, tire hacia el exterior para comenzar el drenaje de aceite. Después de que el petróleo ha terminado de drenaje, empuje el extremo de la válvula de drenaje de aceite de nuevo, hasta que haga clic en las pestañas en su lugar. Volver a tope el final de la válvula de drenaje de aceite para mantener los desechos entren en el puerto de drenaje.
- Cambie el filtro de aceite según las instrucciones del Manual Propietario Kohler.
- Vuelva a llenar el motor con aceite nuevo. Consulte el Manual del Propietario Kohler para ver información sobre el volumen y peso del aceite de motor

### Depurador de aire

Realice el servicio de mantenimiento del prefiltro y del elemento del depurador de aire/ cartucho según las instrucciones del Manual del Propietario Kohler.

### Bujía de encendido

Se debe limpiar la bujía y reajustar la separación una vez por temporada. Consulte el tipo de bujía correcta y las especificaciones de separación en el Manual del Propietario Kohler.

### Palanca de cambio

La transmisión viene sellada de fábrica y no tiene mantenimiento alguno. No se puede controlar el nivel de líquido ni se puede cambiar el líquido.

### Batería



#### ¡ADVERTENCIA PROPOSICIÓN 65 DE CALIFORNIA!

Los bornes de la batería y los accesorios afines contienen plomo y compuestos de plomo, sustancias químicas que según lo establecido por el Estado de California causan cáncer y daños en el sistema reproductivo. Lávese las manos después de estar en contacto con estos componentes.

La batería está sellada y no necesita mantenimiento. Los niveles de ácido no se pueden controlar y no se puede agregar líquido.

- Siempre mantenga limpios y libres de acumulación de elementos corrosivos los cables y los bornes de la batería.
- Después de limpiar la batería y los bornes, aplique una capa delgada de vaselina o grasa a ambos bornes.



**PRECAUCIÓN:** Si extrae la batería para limpiarla, desconecte primero el cable NEGATIVO (negro) de su borne y a continuación el cable POSITIVO (rojo). Cuando vuelva a instalar la batería, conecte siempre primero el cable POSITIVO (rojo) a su borne, y a continuación el cable NEGATIVO (negro). Asegúrese de que los cables estén conectados a los terminales correctos, ya que si los invierte se podría dañar gravemente el sistema alternador del motor.

### Limpieza del tractor

Si se derrama combustible o aceite sobre la máquina, debe limpiarse de inmediato. NO permita que se acumulen desechos alrededor de las aletas de refrigeración del motor, el ventilador de refrigeración de la transmisión ni en ninguna otra parte de la máquina, especialmente las correas y poleas.

### Smart Jet™

La plataforma de su tractor está equipada con un puerto de agua sobre su superficie como parte del sistema de lavado de la plataforma.

Utilice el Smart Jet™ para lavar la parte inferior de la plataforma y quitar los recortes de césped e impedir la acumulación de sustancias químicas corrosivas. Realice los siguientes pasos DESPUÉS DE CADA CORTE DE CÉSPED:

- Dirija el tractor a una zona nivelada y despejada del césped, que se encuentre suficientemente cerca de una canilla de agua al alcance de la manguera del jardín.

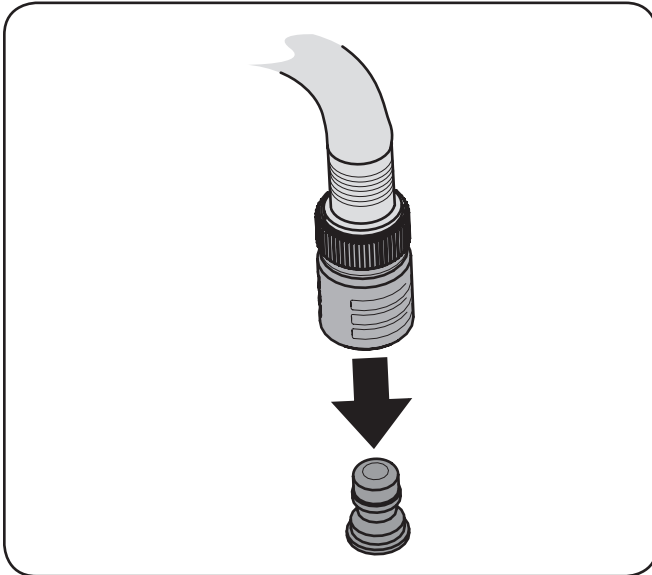


**PRECAUCIÓN:** Asegúrese de que el canal de descarga del tractor NO ESTÉ ORIENTADO en la dirección en que se encuentran la casa, el garaje, los vehículos estacionados, etc.

Desconecte la potencia de arranque (enganche de cuchilla), coloque el freno de mano y detenga el motor.

- Enrosque el acople de manguera (embalado con el Manual del Operador de su tractor) en el extremo de la manguera de jardín.

- Una el acople de la manguera al puerto de agua que se encuentra en la superficie de la plataforma. Vea la Fig. 6-2.



**Figura 6-2**

- Abra el suministro de agua.
- Mientras está sentado en la posición del operador del tractor, vuelva a arrancar el motor y coloque la palanca del regulador en la posición VELOCIDAD RÁPIDA (FAST, representado por una liebre).
- Mueva la potencia de arranque (enganche de cuchilla) del tractor a la posición ON (conectada).
- Permanezca en la posición del operador con la plataforma de corte enganchada durante dos minutos como mínimo, permitiendo que la parte inferior de la plataforma de corte se lave a fondo.
- Mueva la potencia de arranque (enganche de cuchilla) del tractor a la posición OFF (desconectada).
- Gire la llave de encendido a la posición STOP (detención) para apagar el motor del tractor.
- Desconecte el agua y retire el acoplador de la manguera desde el puerto de agua que se encuentra en la superficie de la plataforma.

Después de limpiar la plataforma con el sistema Smart Jet™, regrese a la posición del operador y enganche la potencia de arranque (PTO). Mantenga la plataforma de corte en funcionamiento durante dos minutos por lo menos para permitir que se seque totalmente el lado inferior de la misma.

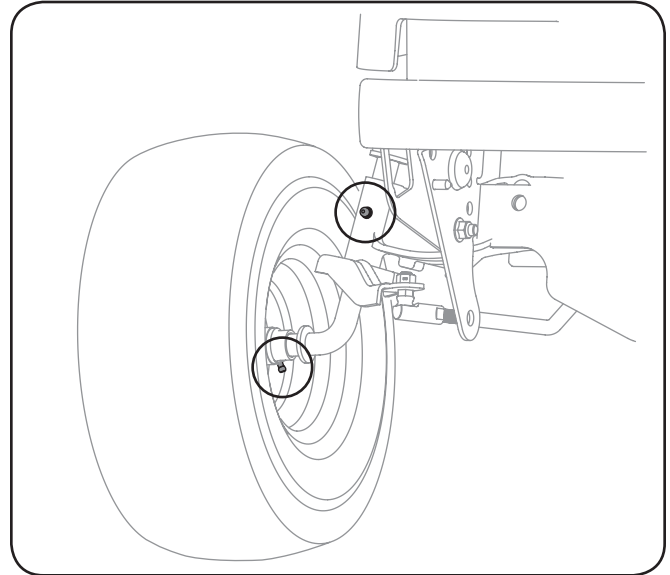
## Lubricación



**¡ADVERTENCIA!** Antes de realizar tareas de mantenimiento, reparaciones o inspecciones, desconecte la potencia de arranque (PTO), coloque el freno de mano, apague el motor y retire la llave, para evitar que alguien encienda accidentalmente el motor.

### Ruedas delanteras

Cada uno de los ejes y llantas de la rueda delantera viene equipado con un accesorio de engrase. Vea la Figura 6-3. Lubrique con una grasa multiuso No. 2 aplicada con una pistola de engrase cada 25 horas de funcionamiento del tractor.



**Figura 6-3**

### Puntos de pivote y varillaje

Lubrique todos los puntos de pivote del sistema de impulsión, el freno de mano y el varillaje de elevación al menos una vez por temporada con aceite ligero.

### Ruedas de plataforma

Cada una de las ruedas de calibración frontales de la plataforma del tractor viene equipada con un accesorio de engrase. Lubrique con una grasa multiuso No. 2 aplicada con una pistola de engrase cada 25 horas de funcionamiento del tractor.

## Husillo de plataforma

Los accesorios de engrase se pueden encontrar en cada husillo de la plataforma. Vea la Figura 6-4. Lubrique con grasa 251H EP o con una grasa de litio multiuso No. 2 equivalente. Con una pistola de engrasar, haga dos aplicaciones (mínimo) o suficiente grasa al eje de husillo.

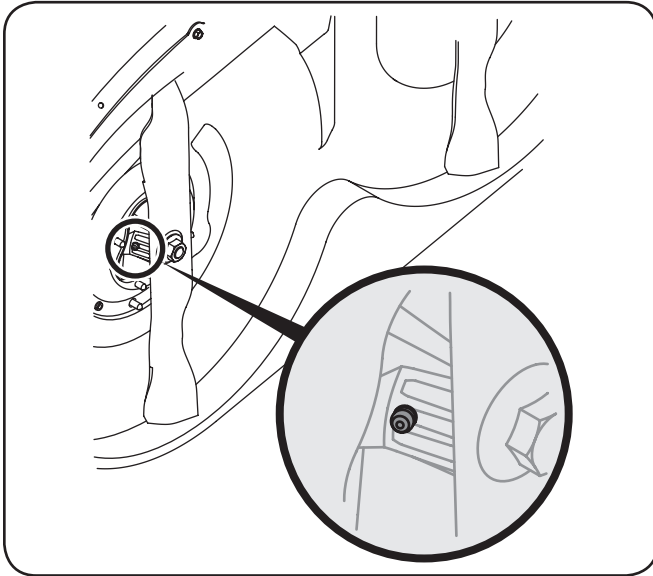


Figura 6-4

## Ajustes



**¡ADVERTENCIA!** Apague el motor, retire la llave de encendido y coloque el freno de mano antes de realizar ajustes. Proteja sus manos utilizando guantes pesados cuando maneje las cuchillas.

**NOTA:** Controle la presión de neumáticos del tractor antes de realizar cualquier nivelación de la plataforma. Consulte la sección Neumáticos en la página 25 para obtener información sobre la presión de los neumáticos.

### Nivelación de la plataforma (adelante atrás).

El frente de la plataforma de corte está sostenido por una barra estabilizadora que se puede ajustar para nivelar la plataforma desde la parte frontal hacia la parte posterior. La parte frontal de la plataforma debe estar entre  $\frac{1}{4}$  de pulgada y  $\frac{3}{8}$  de pulgada más abajo que la parte posterior. De ser necesario, realice un ajuste de la siguiente manera:

1. Estacione el tractor sobre una superficie firme, nivelada y coloque la palanca de elevación de plataforma en la muesca superior.
2. Rote la cuchilla lo más cerca posible del canal de descarga de manera que esté en paralelo con el tractor.
3. Mida la distancia desde la parte delantera de la punta de la cuchilla hasta el piso, y desde la parte posterior de la punta de la cuchilla hasta el piso. La primera medición realizada debe estar entre  $\frac{1}{4}$ " y  $\frac{3}{8}$ " menos que la segunda medición.

Determine la distancia aproximada necesaria para un ajuste adecuado y, de ser necesario, proceda.

1. Afloje (rosca hacia afuera) la tuerca de seguridad hexagonal sobre el extremo de cada varilla de suspensión de la plataforma. Vea la Fig. 6-5.

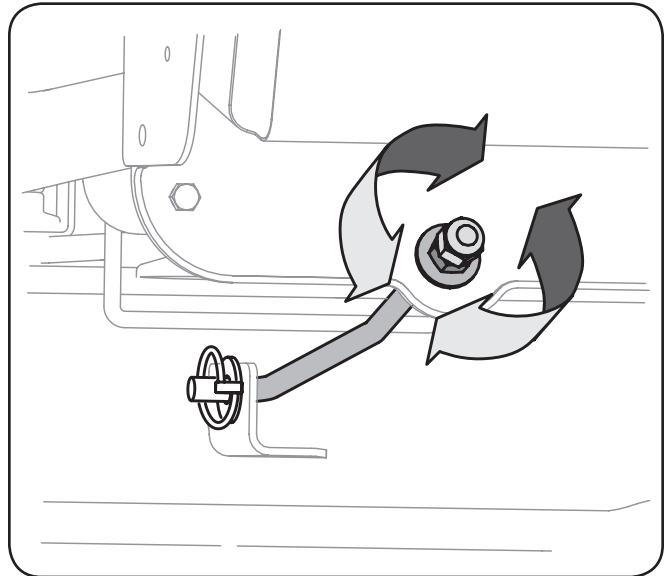


Figura 6-5

2. Para *elevar* la parte frontal de la plataforma, apriete (rosca hacia adentro) cada tuerca hexagonal interior contra la ménsula de suspensión frontal.
3. Para *bajarla* la parte frontal de la plataforma, afloje (rosca hacia afuera) cada tuerca hexagonal, alejándola de la ménsula de suspensión frontal. Vea la Fig. 6-5.
4. Vuelva a apretar cada tuerca de seguridad contra cada tuerca hexagonal cuando alcance el ajuste adecuado.

## Nivelación de la plataforma (lado a lado)

Si la plataforma de corte estuviera realizando el corte de césped de forma despareja, puede realizarse un ajuste lado a lado. De ser necesario, realice un ajuste de la siguiente manera:

1. Con el tractor estacionado sobre una superficie firme y nivelada, coloque la palanca de elevación de la plataforma en la muesca superior (posición más alta) y rote ambas cuchillas para que se sitúen de forma perpendicular al tractor.
2. Mida la distancia desde la parte externa de la punta de la cuchilla izquierda hasta el piso, y desde la parte externa de la punta de la cuchilla derecha hasta el piso. Las dos mediciones obtenidas deben ser iguales. Si no lo son, realice el siguiente paso.
3. Afloje, pero NO extraiga, el perno de cabeza hexagonal ubicado en la ménsula de suspensión izquierda de la plataforma. Vea la Fig. 6-6.

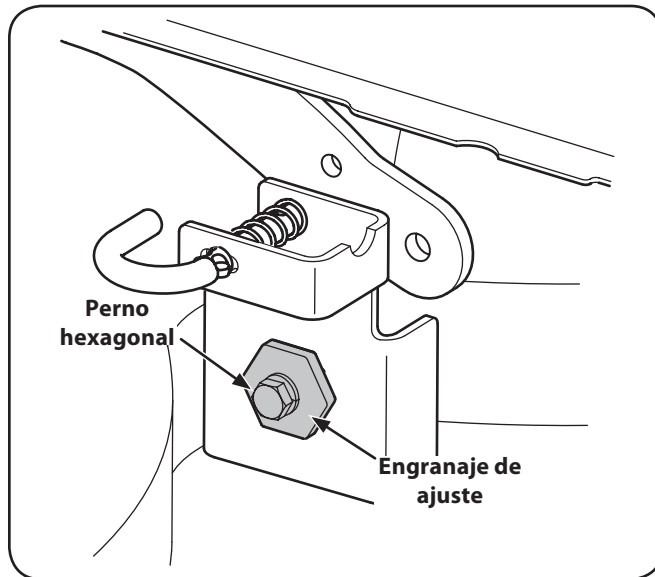


Figura 6-6

4. Con una llave, levante o baje el lado izquierdo de la plataforma girando el engranaje de ajuste. Vea la Fig. 6-6.

La plataforma se encuentra correctamente nivelada cuando las dos mediciones tomadas antes a las puntas de las cuchillas son iguales. Una vez alcanzado el ajuste necesario, vuelva a ajustar el perno de cabeza hexagonal de la ménsula de suspensión izquierda de la plataforma.

## Ajuste del freno de mano

Si el tractor no se detiene por completo cuando se presiona totalmente el pedal de freno, o si las ruedas traseras del tractor siguen rodando con el freno de mano colocado (y la válvula de descarga hidrostática abierta) el freno necesita ajustes. Consulte con su distribuidor Cub Cadet para realizar un ajuste correcto del freno.

## Ajuste del asiento

Consulte la sección Configuración y Montaje de este manual para ver instrucciones para el ajuste del asiento.



**¡ADVERTENCIA!** Antes de operar el tractor, asegúrese de que el asiento esté enganchado en el tope del asiento. Coloque el freno de mano. Párese detrás de la máquina y tire del asiento hacia atrás hasta que encaje en su lugar haciendo clic.

## Ajuste del volante

Si le cuesta girar el tractor en una dirección más que en la otra, o si se reemplazan las juntas de rótula debido a daños o desgaste, puede ser necesario ajustar las barras de acoplamiento del volante.

Ajuste las barras de acoplamiento para rosar longitudes iguales de cada una en la junta de la rótula del lado izquierdo y la junta de la rótula del lado derecho:

1. Extraiga la tuerca hexagonal de la parte superior de la junta de la rótula. Vea la Fig. 6-7.

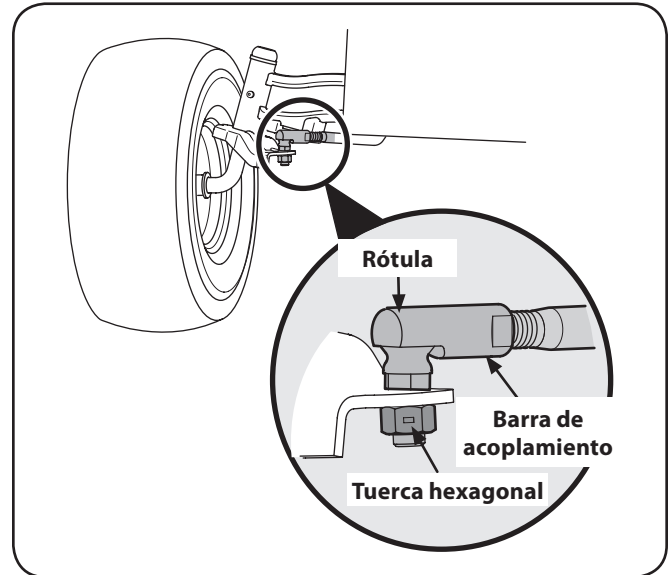


Figura 6-7

2. Enrosque la junta de la rótula hacia adentro para acortar la barra de acoplamiento. Enrosque la junta de la rótula hacia afuera para alargar la barra de acoplamiento.
3. Vuelva a colocar la tuerca hexagonal después de lograr el ajuste adecuado.

**NOTA:** Si se rosan las rótulas demasiado lejos sobre las barras de acoplamiento, las ruedas delanteras convergerán demasiado lejos. La convergencia adecuada se encuentra entre  $\frac{1}{16}$ " y  $\frac{3}{16}$ ".

1. La convergencia de las ruedas delanteras puede medirse de este modo:
  - a. Coloque el volante en posición de operación hacia adelante.
  - b. Delante del eje, mida la distancia horizontal desde el interior de la llanta izquierda hasta el interior de la llanta derecha. Anote la distancia.
  - c. Detrás del eje, mida la distancia horizontal desde el interior de la llanta izquierda hasta el interior de la llanta derecha. Anote la distancia.
5. La medición tomada delante del eje debe ser entre  $\frac{1}{16}$ " y  $\frac{3}{16}$ " menor que la medición tomada detrás del eje.

## Extracción de la plataforma de corte

Para extraer la plataforma de corte, proceda de la siguiente manera:

1. Coloque la perilla de la potencia de arranque (PTO) (enganche de cuchilla) en la posición OFF (desconectada) y coloque el freno de mano.
2. Baje la plataforma colocando la palanca de elevación de la plataforma dentro de la muesca inferior en el guardabarros derecho.
3. Busque la toma de fuerza de embrague bajo la parte frontal del tractor. Ver fig. 7-1.

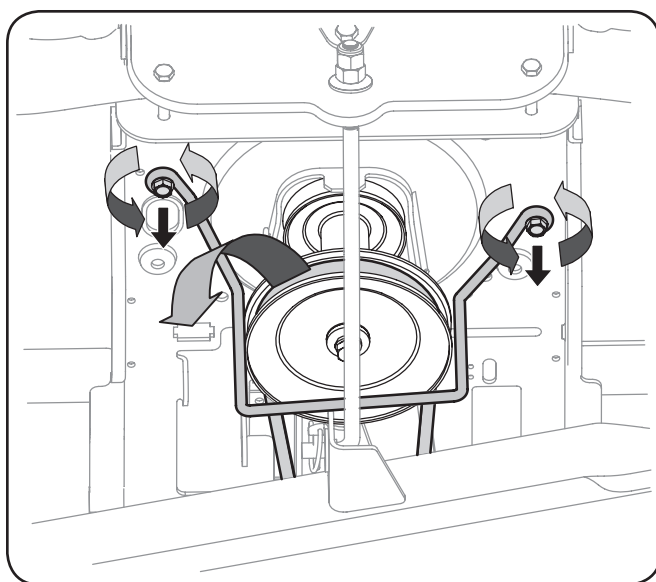


Figura 7-1

4. Retire la cinta de la guardia y el cinturón de la siguiente manera Refiérase a la figura. 7-1:
  - a. Retire los tornillos hexagonal.
  - b. Saque la cinta de poseedor varilla a la derecha y hacia abajo para quitar.
  - c. Quite la correa de la polea del motor del tractor.

**NOTA:** Si hay demasiada tensión en la correa para que sea quitada fácilmente de la polea del motor, inserte cuidadosamente llave de trinquete de impulsión un 3/8 (fije para apretar) en la perforación rectangular encontrada en el soporte más ocioso de la cubierta izquierda y gírelo hacia el derecho del tractor para relevar la tensión en la correa. Vea fig. 7-2.

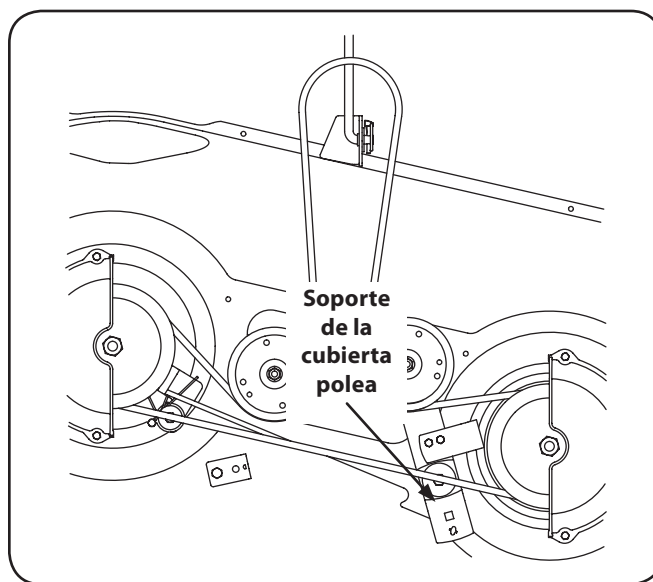


Figura 7-2

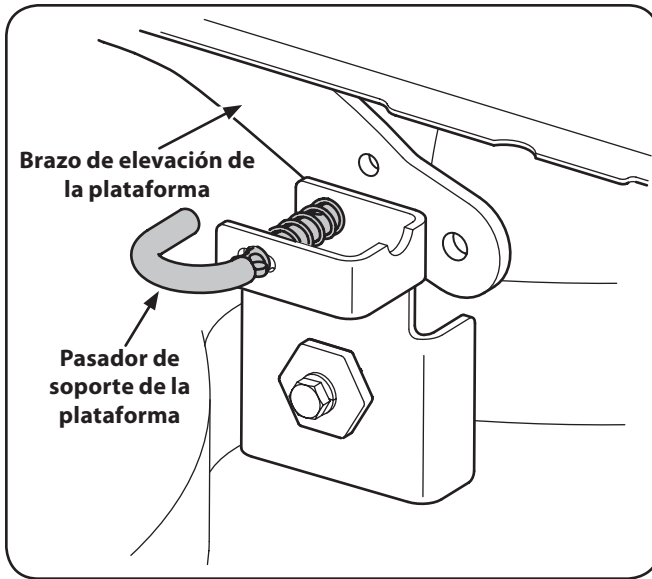


**¡ADVERTENCIA!** Evite las lesiones por compresión. Al extraer la correa, no coloque nunca los dedos en el resorte intermedio o entre la correa y una polea.

5. Mirando la plataforma de corte desde el lado izquierdo del tractor, localice el pasador de soporte de la plataforma ubicado en el lateral posterior izquierdo de la plataforma.

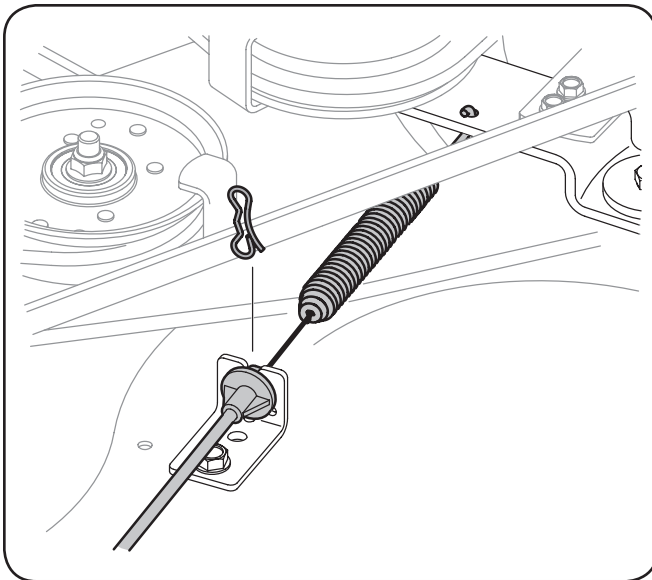


- Tire hacia afuera el pasador de soporte de la plataforma para separar la misma del brazo de elevación de la plataforma. Vea la Fig. 7-3.



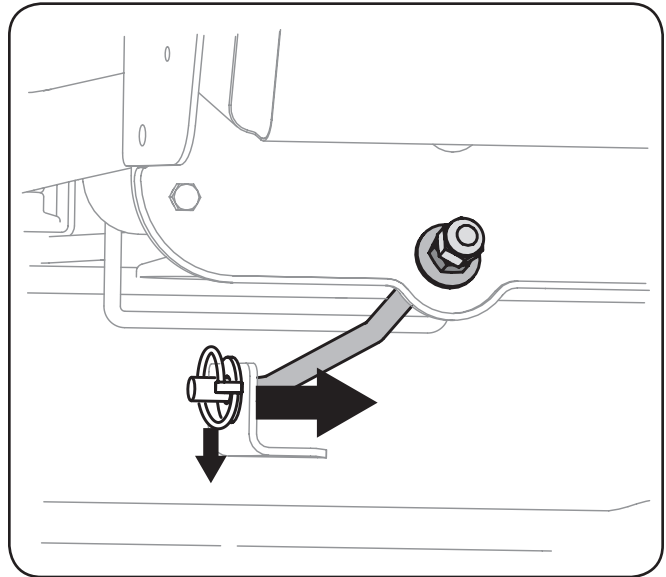
**Figura 7-3**

- Repita los pasos anteriores del lado derecho del tractor.
- Mueva la palanca de elevación de la plataforma dentro de la muesca superior para levantar los brazos de elevación de la plataforma y retirarlos del paso.
- Retire con cuidado la cubierta de participar cable de la parte trasera de la plataforma de corte mediante la eliminación de la pajarita clip de chaveta que lo sujeta. Retire el muelle del soporte rueda loca de la cubierta. Véase la figura. 7-4.



**Figure 7-4**

- Deslice suavemente la plataforma de corte hacia la parte delantera del tractor y con cuidado guíe los ganchos de la plataforma para extraerlos de la varilla estabilizadora de la plataforma. Vea la Fig. 7-5.



**Figura 7-5**

- Deslice suavemente la plataforma de corte (desde el lado derecho) hacia fuera desde la parte inferior del tractor.

## Cuchillas de corte



**¡ADVERTENCIA!** Apague el motor y extraiga la llave de contacto antes de retirar las cuchillas de corte para afilado o reemplazo. Proteja sus manos utilizando guantes reforzados cuando maneje las cuchillas.



**¡ADVERTENCIA!** Inspeccione periódicamente la cuchilla y/o el husillo en busca de rajaduras o daños, especialmente después de golpear un objeto extraño. No opere la máquina hasta después de haber reemplazado los componentes dañados.

Para retirar las cuchillas, haga lo siguiente.

1. Extraiga la plataforma de la parte inferior del tractor, (consulte la sección Extracción de la plataforma en partes anteriores de esta sección); luego voltee con delicadeza la plataforma para dejar al descubierto su parte inferior.
2. Coloque un bloque de madera entre el deflector del alojamiento central de la plataforma y la cuchilla de corte, para que actúe como estabilizador. Vea la Fig. 7-6.

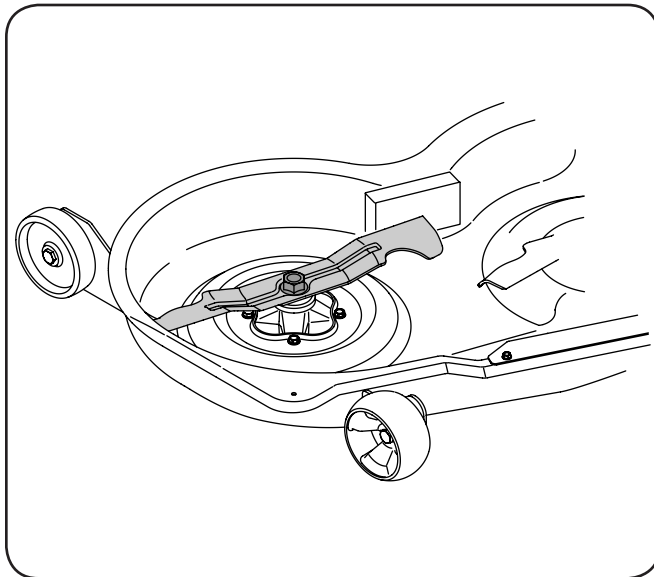


Figura 7-6

3. Extraiga la tuerca de brida hexagonal que asegura la cuchilla al montaje del husillo. Vea la Fig. 7-6.

4. Para afilar las cuchillas de corte de forma adecuada, extraiga cantidades iguales de metal de ambos extremos de las cuchillas a lo largo de los bordes cortantes, de forma paralela al borde de caída, a un ángulo de 25° a 30°. Afile siempre cada borde de las cuchillas de corte de forma pareja para mantener un equilibrio adecuado entre las mismas. Vea la Fig. 7-7.



**PRECAUCIÓN:** Si el borde de corte de la cuchilla ha sido afilado previamente o si existe una separación de metal, reemplace las cuchillas por otras nuevas.



**¡ADVERTENCIA!** Una cuchilla desequilibrada causará vibración excesiva y puede ocasionar daños materiales al tractor y/o lesiones personales.

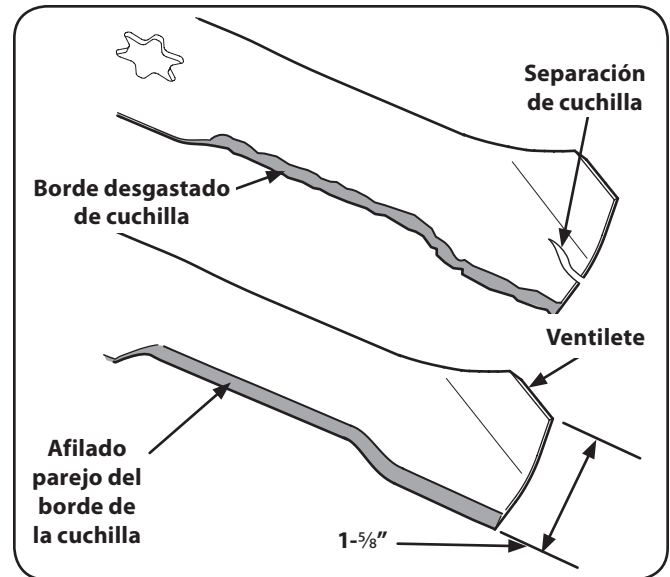


Figura 7-7

5. Pruebe el equilibrio de la cuchilla usando un compensador de cuchillas. Afile el metal del lado pesado hasta que quede bien equilibrada.

**NOTA:** Cuando reemplace la cuchilla, asegúrese de instalarla con el lado marcado "Bottom" (inferior) (o con el lado que posee un número de pieza estampado) mirando al piso cuando la cortadora de césped está en posición de operación.



**PRECAUCIÓN:** Utilice una llave de torsión para ajustar la tuerca de brida hexagonal del husillo de la cuchilla entre 70 pies-libras y 90 pies-libras.

## Batería



**¡ADVERTENCIA PROPOSICIÓN 65 DE CALIFORNIA!** Los bornes de la batería y los accesorios afines contienen plomo y compuestos de plomo, sustancias químicas que según lo establecido por el Estado de California causan cáncer y daños en el sistema reproductivo. Lávese las manos después de estar en contacto con estos componentes.



**PRECAUCIÓN:** Si extrae la batería, desconecte primero el cable NEGATIVO (negro) de su borne y a continuación el cable POSITIVO (rojo). Cuando vuelva a instalar la batería, conecte siempre primero el cable POSITIVO (rojo) a su borne, y a continuación el cable NEGATIVO (negro).

## Arranque por medio de conexión en puente



**¡ADVERTENCIA!** Nunca arranque una batería dañada o congelada con conexiones en puente. Asegúrese de que los vehículos no se toquen y los encendidos están apagados. No permite que las abrazaderas de los cables se toquen.

1. Conecte el cable positivo (+) al borne positivo (+) de la batería descargada de su tractor.
2. Conecte el otro extremo del cable al borne positivo (+) de la batería con el puente conector.
3. Conecte el segundo cable negativo (-) al otro borne de la batería con el puente conector.
4. Realice la conexión final en el bloque del motor del tractor, lejos de la batería. Acople a una parte sin pintura para asegurarse de que haya una buena conexión.



**PRECAUCIÓN:** Si la batería con el puente conector está instalada en el vehículo (es decir automóvil, camión) NO ponga en marcha el motor del vehículo cuando arranque su tractor con el conector puente.

5. Arranque el tractor (según las instrucciones de la sección Funcionamiento de este manual).
6. Coloque el freno de mano del tractor antes de sacar los cables de conexión en puente, en orden inverso de conexión.

## Carga de la batería



**¡ADVERTENCIA!** Al cargarse, las baterías emiten un gas que puede causar explosiones. Cargue la batería en un área bien ventilada y aléjela de una llama abierta o luz piloto, como por ejemplo calentadores de agua, calefactores de ambiente, hornos, secadores de ropa u otros aparatos a gas.

**PRECAUCIÓN:** Cuando cargue la batería de su tractor, utilice únicamente un cargador diseñado para baterías de plomo-ácido de 12V. Lea el Manual del Operador del cargador de la batería antes de cargar la batería de su tractor. Siempre siga las instrucciones y tenga en cuenta las advertencias.

Si su tractor no se ha utilizado durante un período de tiempo prolongado, cargue la batería de la siguiente manera:

1. Ajuste el cargador de batería para que produzca un

máximo de 10 amperes.

2. Si el cargador de su batería es automático, cargue la batería hasta que el cargador indique que se ha completado la carga. Si el cargador no es automático, cargue por ocho horas como mínimo.

## Fusible



**¡ADVERTENCIA!** Antes de realizar tareas de mantenimiento, reparaciones o inspecciones, desconecte la potencia de arranque (PTO), coloque el freno de mano, apague el motor y retire la llave, para evitar que alguien encienda accidentalmente el motor.

En el mazo de cables de su tractor hay instalado un fusible de 20 amperes, para proteger el sistema eléctrico del tractor de los daños causados por exceso de amperaje.

Si el sistema eléctrico no funciona, o el motor de su tractor no arranca, verifique primero que el fusible no se haya quemado. Uno de los fusibles se encuentra debajo del capó, montado detrás de la parte superior del panel de instrumentos, en la barra de soporte.



**PRECAUCIÓN:** Para el reemplazo utilice siempre un fusible que posea la misma capacidad de amperaje que el fusible que se ha quemado.

## Neumáticos



**¡ADVERTENCIA!** No sobrepasar nunca la presión máxima de inflado figuran en el flanco del neumático.

Refiérase a la pared del neumático para la ISP recomendados o máximos fabricante de neumáticos es exacto. No inflar demasiado.

La presión del neumático desigual podría causar que la plataforma de corte para cortar de manera desigual.

## Cambio de la correa de transmisión

Para cambiar la correa de transmisión del tractor, se deben retirar varios componentes y se requieren herramientas especiales. Solicite a su distribuidor Cub Cadet que realice el reemplazo de la correa de transmisión.

## Cambio de la correa de la plataforma



**¡ADVERTENCIA!** Apague el motor y extraiga la llave de contacto antes de retirar las cuchillas de corte para afilado o reemplazo. Proteja sus manos utilizando guantes reforzados cuando maneje las cuchillas y las poleas.



**¡ADVERTENCIA!** Las correas en V del tractor están diseñadas especialmente para que se engranen y desengranen sin riesgos. El uso de una correa en V sustituta (que no sea del fabricante del equipo original) puede resultar peligroso si la misma no se desengrana completamente. Para que la máquina funcione correctamente, use correas aprobadas por el fabricante.

Todas las correas del tractor están sujetas a desgaste, y se las debe cambiar si se presentan signos de desgaste. Para cambiar o reemplazar la correa de la plataforma de su tractor, proceda de la siguiente manera:

1. Quite la cubierta según lo dado instrucciones en la página 60.
2. Quite a los protectores de la correa quitando los tornillos del maleficio que los sujetan a la cubierta. Vea Fig. 7-8.

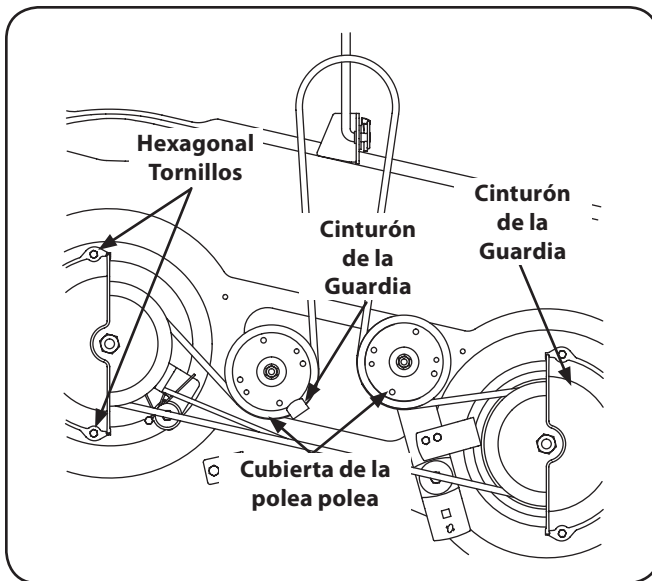


Figura 7-8

3. Afloje, pero no quite al protector de la correa en la polea más ociosa situada cerca de la parte posterior de la cubierta.
4. Quite cuidadosamente la correa de la cubierta alrededor de las tres poleas de huso y de las dos poleas más ociosas de la cubierta.
5. Para colocar la nueva correa comience encaminando la correa alrededor de las dos poleas de huso externas, entonces alrededor de la polea de huso delantera según las indicaciones de Fig. 7-9.

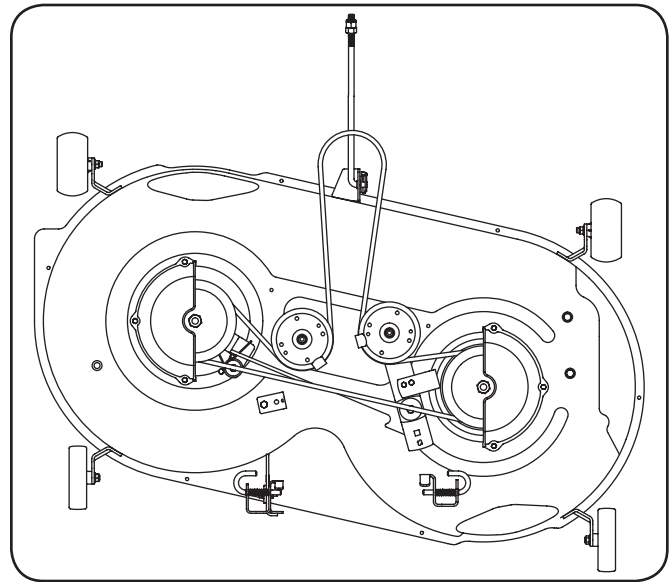


Figura 7-9

6. Entonces encamine la correa alrededor de las dos poleas más ociosas de la cubierta como demostración en Fig. 7-9.
7. Vuelva a apretar al protector de la correa aflojado anterior.
8. Remonte a los protectores de la correa quitados anterior.
9. Reinstale la cubierta cerciorándose de los restos de la correa encaminados alrededor de las poleas según lo dado instrucciones.
10. Vuelva una instalar la cubierta de la siguiente Manera:
  - a. La Cubierta bajo Con el chasis del Cortacésped, Adjunte la barra estabilizadora. Véase la figura. 7-5.
  - b. Vuelva una conectar los brazos de elevación de cubierta. Véase la figura. 7-3.
  - c. Vuelva un colocar la cubierta de participar de cable. Véase la figura. 7-4.
11. Place the belt into the engine pulley. See Figure 7-10.

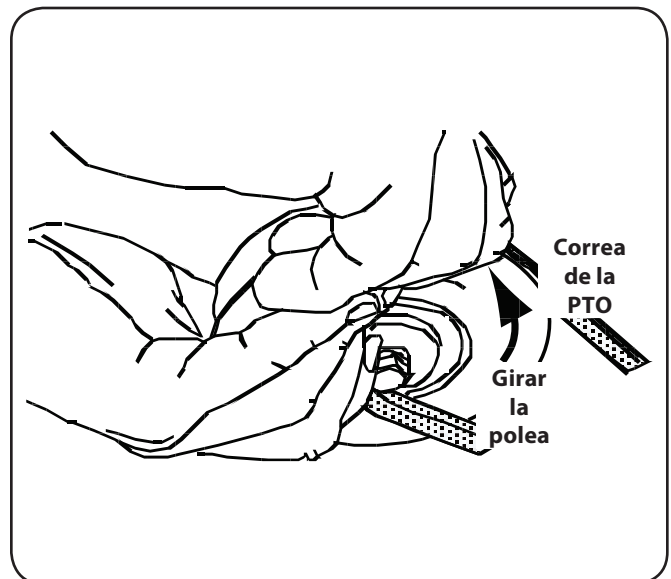

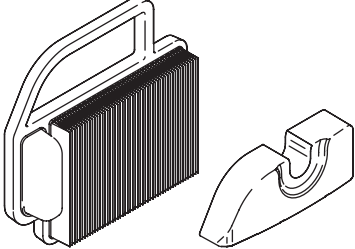

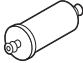
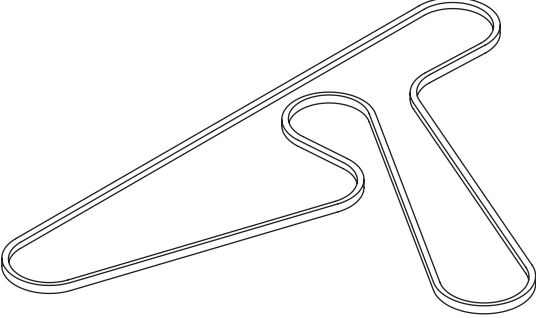
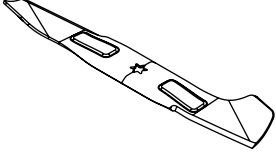
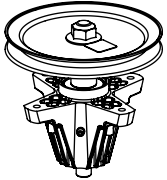




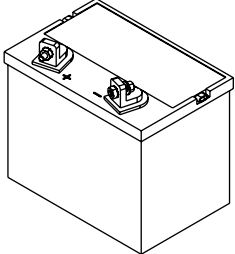
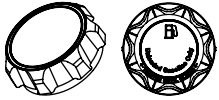


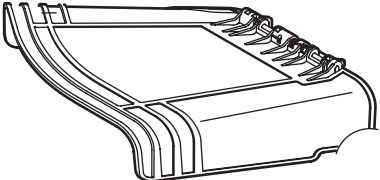
Figura 7-10

12. Replace the belt guard. See Figure 7-1.

Problema	Causa	Solución
El motor no arranca	<ol style="list-style-type: none"> <li>1. Palanca de potencia de arranque (PTO) /enganche de cuchilla conectada.</li> <li>2. No está colocado el freno de mano.</li> <li>3. Se ha desconectado el cable de la bujía.</li> <li>4. La palanca de control del regulador/cebador no está en la posición de arranque correcta.</li> <li>5. El depósito de combustible está vacío o el combustible se ha echado a perder.</li> <li>6. La línea del combustible está bloqueada.</li> <li>7. La bujía no funciona correctamente.</li> <li>8. Motor ahogado.</li> </ol>	<ol style="list-style-type: none"> <li>1. Coloque la palanca en la posición de desconexión (OFF).</li> <li>2. Coloque el freno de mano.</li> <li>3. Conecte el cable a la bujía.</li> <li>4. Mueva la palanca del regulador/cebador a la posición FAST (rápido).</li> <li>5. Llene el depósito con gasolina limpia y nueva (de menos de 30 días).</li> <li>6. Limpie la línea de combustible y reemplace el filtro de combustible.</li> <li>7. Limpie o cambie la bujía o ajuste la separación.</li> <li>8. Arranque el motor con el regulador en posición FAST (rápido).</li> </ol>
El motor funciona de manera errática	<ol style="list-style-type: none"> <li>1. La unidad está funcionando con el regulador/cebador activado.</li> <li>2. Los cables de la bujía están flojos.</li> <li>3. La línea del combustible está tapada o el combustible se ha echado a perder.</li> <li>4. La ventilación de la tapa del combustible está obstruida.</li> <li>5. Hay agua o suciedad en el sistema de combustible.</li> <li>6. El filtro de aire está sucio.</li> </ol>	<ol style="list-style-type: none"> <li>1. Presione el control del regulador/cebador.</li> <li>2. Conecte y ajuste los cables de la bujía.</li> <li>3. Limpie la línea de combustible; llene el depósito con gasolina limpia y nueva y reemplace el filtro de combustible.</li> <li>4. Destape la ventilación o reemplace la tapa si está dañada.</li> <li>5. Vacíe el tanque de combustible. Llene el depósito con gasolina limpia y nueva.</li> <li>6. Reemplace el elemento de papel del filtro de aire o limpie el depurador de espuma.</li> </ol>
El motor recalienta	<ol style="list-style-type: none"> <li>1. El nivel de aceite del motor está bajo.</li> <li>2. Flujo de aire restringido.</li> </ol>	<ol style="list-style-type: none"> <li>1. Llene el cárter con la adecuada cantidad y peso de aceite.</li> <li>2. Limpie los recortes de pasto y suciedad acumulados alrededor de las aletas de refrigeración del motor y del alojamiento del soplador.</li> </ol>
El motor vacila a altas revoluciones	<ol style="list-style-type: none"> <li>1. La separación de la bujía es muy pequeña.</li> </ol>	<ol style="list-style-type: none"> <li>1. Retire la bujía y reajuste la separación.</li> </ol>
El motor funciona con dificultad en ralentí	<ol style="list-style-type: none"> <li>1. Bujía sucia, averiada o exceso de separación.</li> <li>2. El filtro de aire está sucio.</li> </ol>	<ol style="list-style-type: none"> <li>1. Reemplace la bujía. Ajuste la separación de la bujía.</li> <li>2. Reemplace el elemento del filtro de aire y/o limpie el depurador.</li> </ol>
Vibración excesiva	<ol style="list-style-type: none"> <li>1. Cuchilla de corte floja o descentrada.</li> <li>2. Cuchilla dañada o curvada.</li> </ol>	<ol style="list-style-type: none"> <li>1. Apriete la cuchilla y el husillo.</li> <li>2. Reemplace la cuchilla.</li> </ol>
La cortadora de césped no procesa los recortes como abono	<ol style="list-style-type: none"> <li>1. La velocidad del motor es demasiado lenta.</li> <li>2. Césped húmedo.</li> <li>3. Césped demasiado alto.</li> <li>4. La cuchilla de la cortadora no está afilada.</li> </ol>	<ol style="list-style-type: none"> <li>1. Coloque el control del estrangulador/cebador en la posición FAST (velocidad rápida, representada por una liebre).</li> <li>2. No realice abono cuando el césped está húmedo.</li> <li>3. Corte una vez a una altura de corte elevada y luego vuelva a cortar el césped a la altura deseada, o haga una pasada de corte más angosta.</li> <li>4. Afile o cambie la cuchilla.</li> </ol>
Corte desigual	<ol style="list-style-type: none"> <li>1. La plataforma no está correctamente nivelada.</li> <li>2. La cuchilla de la cortadora no está afilada.</li> <li>3. Presión de neumáticos desigual.</li> </ol>	<ol style="list-style-type: none"> <li>1. Realice un ajuste de la plataforma lado a lado.</li> <li>2. Afile o cambie la cuchilla.</li> <li>3. Verifique la presión de los cuatro neumáticos.</li> </ol>

Componente	Número de pieza y Descripción
	759-3336 Bujía (Champion RC12YC)
	KH-20-883-02-S1 Limpiador de Aire Elemento con Pre-Filtro
	KH-12-050-01-S Filtro de Aceite
	KH-25-050-21-S Filtro de Combustible
	954-04060B Correa de Tracción (Plataforma de Corte)
	942-04312 2-in-1 Cuchilla de Plataforma
	918-04889A Husilla de Plataforma

Llame por teléfono al (800) 965-4CUB para solicitar piezas de reemplazo o un Manual de Piezas de Repuesto completo (tenga el número de modelo y número de serie de su máquina a mano). En [www.cubcadet.com](http://www.cubcadet.com) también podrá descargar el Manual de Piezas de Repuesto sin cargo alguno.

Componente	Número de pieza y Descripción
	734-04155      Rueda de Plataforma (Frente)
	734-0973      Rueda de Plataforma (Trasera)
	925-1707D      Batería
	751-0603A      Tapa del Tanque de Combustible 951-10947      Tapa del Tanque de Combustible (California)
	946-04617      Acelerador y Palanca de Control de Choke & Cable
	925-2054A      Llave de Encendido
	631-04344      Asamblea de Canal de Descarga

Llame por teléfono al (800) 965-4CUB para solicitar piezas de reemplazo o un Manual de Piezas de Repuesto completo (tenga el número de modelo y número de serie de su máquina a mano). En [www.cubcadet.com](http://www.cubcadet.com) también podrá descargar el Manual de Piezas de Repuesto sin cargo alguno.



Los siguientes aditamentos y accesorios son compatibles con el LTX1040. Llame (800) 965-4CUB para la información con respecto a la compatibilidad, el precio y la disponibilidad (tener su número de modelo completo y número de serie).



**PRECAUCIÓN:** Cub Cadet tractores del césped de la serie 1000 no están diseñados para su uso con cualquier tipo de acoplamiento de tierra adjuntos (por ejemplo, caña o arado de vertedera). El uso de este tipo de equipo se anulará la garantía del tractor.

Número de modelo	Descripción
19A30006100	Mantillo Tapón, 42"
19A30003100	Embolsadora Doble, 42" Cuchilla Doble
OEM-190-032	Máquina Quitanieve, 42"
OEM-190-215	Rueda de Pesas
OEM-190-833	46" Quitanieve de Cuchilla
OEM-19A-218	Juego de Soporte trasero Peso
OEM-190-916	Cadenas de Neumático, 20" x 10"
190-679-101	Parachoques
190-012-100	Juego de Apoyabrazos



**DECLARACIÓN FEDERAL y/o DE CALIFORNIA SOBRE GARANTÍAS EN EL CONTROL DE EMISIONES  
SUS DERECHOS Y OBLIGACIONES EN CUANTO A LA GARANTÍA**

MTD Consumer Group Inc, la Agencia de Protección Medioambiental de los Estados Unidos (EPA), y para aquellos productos certificados para su venta en el estado de California, el Departamento de los Recursos del Aire de California (CARB) se complacen en explicar la garantía que cubre al sistema de control (ECS) de emisiones (evaporativas y/o de escape) de su equipo y motor (motor de equipos de exteriores) de encendido por chispa para todo terreno, pequeño, de exteriores del año 2006 y años posteriores. En California, los nuevos motores de equipos de exteriores deben estar diseñados, construidos y equipados para cumplir con las estrictas normas antipolución del Estado (en otros estados, los equipos del año 1997 y modelos posteriores deben ser estar diseñados, construidos y equipados para cumplir con las regulaciones de motores de encendido por chispa para todo terreno pequeños de la Agencia de Protección Medioambiental de los Estados Unidos, (EPA). MTD Consumer Group Inc. debe garantizar el sistema de control de emisiones (ECS) de su motor de equipos de exteriores por el período de tiempo indicado más abajo, siempre y cuando no exista uso incorrecto, negligencia o mantenimiento inadecuado de dicho motor.

Su ECS puede incluir piezas tales como el carburador, el sistema de inyección de combustible, el sistema de encendido, el convertidor catalítico, los depósitos de combustible, las líneas de combustible, los tapones de combustible, las válvulas, contenedores, filtros, mangueras de vapor, abrazaderas, conectores y otros componentes afines relacionados con las emisiones.

Donde exista una condición cubierta por la garantía, MTD Consumer Group Inc. reparará su motor de equipos de exteriores sin costo alguno incluyendo el diagnóstico, las piezas y la mano de obra.

**COBERTURA DE LA GARANTÍA DEL FABRICANTE:**

Este sistema de control de emisiones se garantiza por el término de dos años. Si alguna pieza relacionada con las emisiones de su motor de equipos de exteriores es defectuosa, MTD CONSUMER GROUP INC. reparará o sustituirá dicha pieza.

**RESPONSABILIDADES DEL PROPIETARIO SEGÚN LA GARANTÍA:**

En su carácter de propietario del motor de equipos de exteriores, usted es responsable del mantenimiento requerido que se especifica en el manual del propietario. MTD Consumer Group Inc le recomienda que conserve todos los recibos que cubren el mantenimiento de su motor, no obstante lo cual MTD Consumer Group Inc no podrá denegar el cumplimiento de la garantía únicamente por la falta de los recibos.

Como propietario del motor de equipos de exteriores, usted debe saber que MTD Consumer Group Inc. puede denegar la cobertura de la garantía si su motor o una pieza del mismo fallan debido a uso incorrecto, negligencia, mantenimiento indebido o a modificaciones no aprobadas.

Usted es responsable de presentar su motor al centro de distribución o servicio técnico de MTD Consumer Group Inc. tan pronto como aparezca el problema. Las reparaciones cubiertas por la garantía se deben llevar a cabo en un lapso razonable que no exceda de 30 días. Si tiene alguna pregunta respecto de la cobertura de la garantía, póngase en contacto con el Departamento del Servicio Técnico de MTD Consumer Group Inc. al teléfono 1-800-800-7310 o por correo electrónico en <http://support.mtdproducts.com>

**COBERTURA DE LA GARANTÍA DE EMISIONES GENERALES:**

MTD Consumer Group Inc garantiza al comprador final y a cada comprador subsiguiente que el motor de equipos de exteriores: está diseñado, construido y equipado de modo de cumplir con todas las regulaciones aplicables y que se encuentra libre de defectos de materiales y de fabricación que pudieren causar la falla de una pieza garantizada idéntica, en todos los aspectos materiales a la pieza descrita en la solicitud de certificación de MTD Consumer Group Inc.

El período de garantía comienza en la fecha de entrega del motor al comprador final o en la fecha en que la máquina se pone en funcionamiento por primera vez. El período de garantía es de dos años.

Sujeto a ciertas condiciones y exclusiones que se indican a continuación, la garantía de las piezas relacionadas con las emisiones es la siguiente:

1. Cualquier pieza garantizada que no esté programada para ser reemplazada como parte del mantenimiento requerido en las instrucciones escritas suministradas se garantiza por el período de garantía arriba mencionado. Si la pieza falla durante el período de cobertura de la garantía, la misma será reparada o reemplazada por MTD Consumer Group Inc. de acuerdo con el párrafo (4) a continuación. Cualquier pieza reparada o reemplazada según la garantía se garantizará por el resto del período de garantía.
2. Cualquier pieza garantizada que esté programada solamente para inspección regular en las instrucciones escritas suministradas se garantiza por el período de garantía arriba mencionado. Cualquier pieza reparada o reemplazada según la garantía se garantizará por el resto del período.
3. Cualquier pieza garantizada que esté programada para reemplazo según el mantenimiento requerido de conformidad con las instrucciones escritas suministradas, se garantiza por el período de tiempo anterior a la primera fecha de reemplazo programada para esa pieza. Si la pieza falla antes del primer reemplazo programado, la misma será reparada o reemplazada por MTD Consumer Group Inc. de acuerdo con el párrafo (4) a continuación. Cualquier pieza reparada o reemplazada bajo garantía se garantizará por el resto del período anterior al primer reemplazo programado puntual para esa pieza.
4. La reparación o el reemplazo de cualquier pieza garantizada de conformidad con las disposiciones de la garantía que aquí se estipula se deben realizar en un centro de garantía sin costo alguno para el propietario.
5. No obstante las disposiciones que aquí se estipulan, los servicios o reparaciones bajo garantía se suministrarán en todos nuestros centros de distribución bajo franquicia de mantenimiento para los motores o equipos en cuestión.
6. El propietario del motor de equipos de exteriores no deberá pagar el trabajo de diagnóstico directamente asociado con una pieza garantizada defectuosa en relación con las emisiones, siempre y cuando dicho trabajo de diagnóstico se realice en un centro cubierto por la garantía.
7. MTD Consumer Group Inc es responsable por daños causados a otros componentes de motores o equipos derivados de la falla bajo garantía de cualquier pieza garantizada.

8. Durante la totalidad del período de garantía del motor y equipo para todo terreno arriba mencionado, MTD Consumer Group Inc mantendrá un suministro de piezas bajo garantía suficiente para satisfacer la demanda esperada de tales piezas.
9. Cualquier pieza de reemplazo se podrá usar para el cumplimiento del mantenimiento o las reparaciones bajo garantía y se suministrarán sin cargo para el propietario. Dicho uso no reducirá las obligaciones de garantía de MTD Consumer Group Inc.
10. No se podrán usar piezas adicionales ni modificadas que no estén exentas de acuerdo con el Departamento de los Recursos del Aire (Air Resources Board). El uso de cualquier pieza adicional o modificada no exenta por el comprador final será causal de invalidez de los reclamos bajo garantía. MTD Consumer Group Inc no tendrá responsabilidad por la garantía de fallas de piezas garantizadas que fueren causadas por el uso de una pieza adicional no exenta o modificada.

#### **PIEZAS GARANTIZADAS:**

La reparación o el reemplazo de cualquier pieza garantizada que de otro modo pudiese estar cubierta por la garantía podrá ser excluida de tal cobertura de garantía si MTD Consumer Group Inc demuestra que el motor es objeto de uso incorrecto, negligencia o mantenimiento inadecuado, y que tal uso incorrecto, negligencia o mantenimiento inadecuado fue causa directa de la necesidad de reparación o reemplazo de dicha pieza. No obstante lo antedicho, cualquier ajuste de un componente con un dispositivo de limitación de ajuste instalado en fábrica y que funcione adecuadamente, podrá ser cubierto por la garantía. Además, la cobertura bajo esta garantía se extiende solo a piezas que estuvieron presentes en el motor y equipo todo terreno adquiridos.

Están cubiertas las siguientes piezas con garantía para emisiones (de corresponder):

- (1) Sistema de medición de combustible
  - Sistema de mejora para inicio en frío (cebado suave)
  - Carburador y piezas internas (o sistema de inyección por combustible)
  - Bomba de combustible
  - Depósito de combustible
- (2) Sistema de inducción de aire
  - Purificador de aire
  - Colector de admisión
- (3) Sistema de encendido
  - Bujía(s) de encendido
  - Sistema de encendido por magneto
- (4) Sistema de encendido
  - Convertidor catalítico
  - SAI (válvula Reed)
- (5) Componentes varios utilizados en el sistema anterior
  - Válvulas e interruptores de vacío, temperatura, posición sensibles al tiempo
  - Conectores y montajes
- (6) Control evaporativo
  - Manguera de combustible
  - Abrazaderas de la manguera de combustible
  - Tapón del combustible atado por correa
  - Caja de carbono
  - Líneas de vapor

# GARANTÍA LIMITADA DEL FABRICANTE CUB CADET LLC PARA TRACTORES DE SERIE 1000 Y SERIE 1500

**IMPORTANTE:** Para obtener cobertura de garantía, el propietario debe presentar una evidencia original de la compra y los registros de mantenimiento correspondientes al centro de servicio técnico autorizado del distribuidor. Consulte el manual del operador para obtener información sobre los intervalos de mantenimiento y servicio requeridos.

La siguiente garantía limitada es otorgada por Cub Cadet LLC con respecto a nuevos productos adquiridos o arrendados y utilizados en Estados Unidos y/o sus territorios y posesiones, y por MTD Products Limited con respecto a nuevos productos adquiridos o arrendados y utilizados en Canadá y/o sus territorios y posesiones (cualquiera de las dos entidades, respectivamente, "Cub Cadet").

Cub Cadet garantiza este producto (excluyendo las *piezas de desgaste normal, baterías, bastidor, eje frontal y accesorios según se describe a continuación*) contra defectos en los materiales y mano de obra por un período de tres (3) años o ciento veinte (120) horas de operación, lo que suceda primero, a partir de la fecha de compra minorista original o arrendamiento y, a su opción, reparará o reemplazará, sin costo alguno, cualquier pieza que presente defectos en los materiales o mano de obra.

*Se garantiza que* las piezas con desgaste normal están libres de defectos en los materiales y mano de obra por un período de treinta (30) días a partir de la fecha original de compra o arrendamiento. Las piezas sujetas a desgaste normal incluyen pero no se limitan a: correas, cuchillas, adaptadores de cuchilla, bolsas recolectoras de pasto, ruedas de plataforma, asientos y neumáticos.

*Las baterías* tienen una garantía limitada prorrateada de un año contra defectos en los materiales y mano de obra, con 100% de reemplazo durante los tres primeros meses. Después de los tres meses, el crédito por reemplazo de batería se basará en los meses remanentes del período de doce (12) meses desde la fecha original de compra o arrendamiento. Todo reemplazo de batería será garantizado únicamente por el plazo restante del período original de la garantía.

*Bastidor y eje frontal* - Cub Cadet garantiza el bastidor, y eje de pivote de hierro fundido frontal contra defectos en los materiales y mano de obra por un período de cinco (5) años o 500 horas, lo que suceda primero, a partir de la fecha original de compra o arrendamiento.

*Accesorios* - Cub Cadet garantiza que los accesorios de este producto están libres de defectos de material y mano de obra durante un período de un (2) año a partir de la fecha de compra o arrendamiento original del accesorio. Los accesorios incluyen, pero no se limitan a: colectores de césped y kits para abono.

Esta garantía limitada sólo se aplicará si el producto ha sido operado y mantenido de acuerdo con las instrucciones del Manual del Operador que se proporciona con el producto y no ha sido sujeto a uso inapropiado, abuso, uso comercial, abandono, accidente, mantenimiento incorrecto, alteración, vandalismo, robo, incendio, inundación o algún daño debido a otro peligro o desastre natural. El daño resultante de la instalación o el uso de piezas, accesorios o complementos no aprobados por Cub Cadet para su uso con el o los productos incluidos en este manual anulará la garantía en lo que respecta a esos daños. Además, Cub Cadet puede rechazar la cobertura de la garantía si el medidor horario o cualquier parte del mismo, es alterado, modificado, desconectado o de alguna otra forma forzado.

**CÓMO SOLICITAR Y OBTENER SERVICIO TÉCNICO:** El servicio de la garantía está disponible, CON PRUEBA DE COMPRA Y REGISTROS DE MANTENIMIENTO CORRESPONDIENTES a través de su distribuidor local autorizado para el mantenimiento. Para localizar al distribuidor de su zona:

## En Estados Unidos de América:

Consulte sus páginas amarillas, o póngase en contacto con Cub Cadet LLC en P.O. Box 361131, Cleveland, Ohio 44136-0019, llame al 1-877-282-8684, o visite nuestro sitio web en [www.cubcadet.com](http://www.cubcadet.com).

## En Canadá:

Contacte MTD Products Limited, Kitchener, ON N2G 4J1, llame al 1-800-668-1238 o visite nuestro sitio web en [www.mtdcanada.com](http://www.mtdcanada.com).

Sin limitación de lo anteriormente dicho, esta garantía limitada no ofrece cobertura en los siguientes casos:

- Los artículos necesarios para el mantenimiento de rutina como por ejemplo lubricantes, filtros, afiladores de cuchillas, sincronización del motor, los ajustes de los frenos, del embrague o de la plataforma y el deterioro normal del acabado exterior debido al uso o exposición.
- Mantenimiento no realizado por el distribuidor de servicio autorizado.
- Cub Cadet no extiende ninguna garantía para los productos vendidos o exportados fuera de los Estados Unidos de América y/o Canadá, y sus respectivas posesiones y territorios, excepto para aquellos vendidos a través de los canales autorizados de distribución de exportaciones de Cub Cadet.
- Piezas de reemplazo y/o accesorios que no son piezas originales de Cub Cadet.
- Gastos de transporte y visitas técnicas.

**No existen garantías implícitas, incluyendo sin limitación cualquier garantía implícita de comerciabilidad o adaptabilidad para un propósito en particular. No se aplicará ninguna garantía después del período aplicable de la garantía expresa por escrito según lo indicado más arriba. Ninguna otra garantía expresa más allá de las mencionadas anteriormente, extendida por personas o personas jurídicas, incluidos los distribuidores o los minoristas, con respecto a los productos, obligará a Cub Cadet. El recurso exclusivo es reparar o reemplazar el producto según lo anteriormente establecido. Los términos de esta garantía cubren las reparación únicas y exclusivas que surgen de la venta y/o arrendamiento de los productos cubiertos por la presente. Cub Cadet no será responsable de las pérdidas o los daños incidentales o resultantes, incluyendo sin limitación, los gastos incurridos para los servicios de mantenimiento del pasto, o los gastos de arrendamiento para reemplazar de manera transitoria un producto bajo garantía.**

Algunas jurisdicciones no permiten la exclusión o limitación de los daños y perjuicios incidentales o resultantes, o las limitaciones sobre la duración de las garantías implícitas, por lo que las exclusiones o limitaciones mencionadas anteriormente pueden no ser de aplicación.

En ningún caso se obtendrá una compensación mayor al monto del precio de compra del producto vendido. **La modificación de las características de seguridad del producto anulará esta garantía.** Usted asume el riesgo y la responsabilidad de las pérdidas, daños o lesiones que sufran usted y sus bienes y / u otras personas y sus bienes como resultado del uso incorrecto o de la falta de capacidad para usar este producto.

Esta garantía limitada alcanza solamente al comprador original, o a la persona que recibió el producto de regalo.

## CÓMO SE RELACIONA LA LEGISLACIÓN LOCAL CON ESTA GARANTÍA:

Esta garantía limitada le otorga derechos legales específicos y usted también puede tener otros derechos que varían de una jurisdicción a otra.

**Cub Cadet LLC, P.O. BOX 361131 CLEVELAND, OHIO 44136-0019; Teléfono: 1-877-282-8684  
MTD Products Limited, Kitchener, ON N2G 4J1, teléfono: 1-800-668-1238**