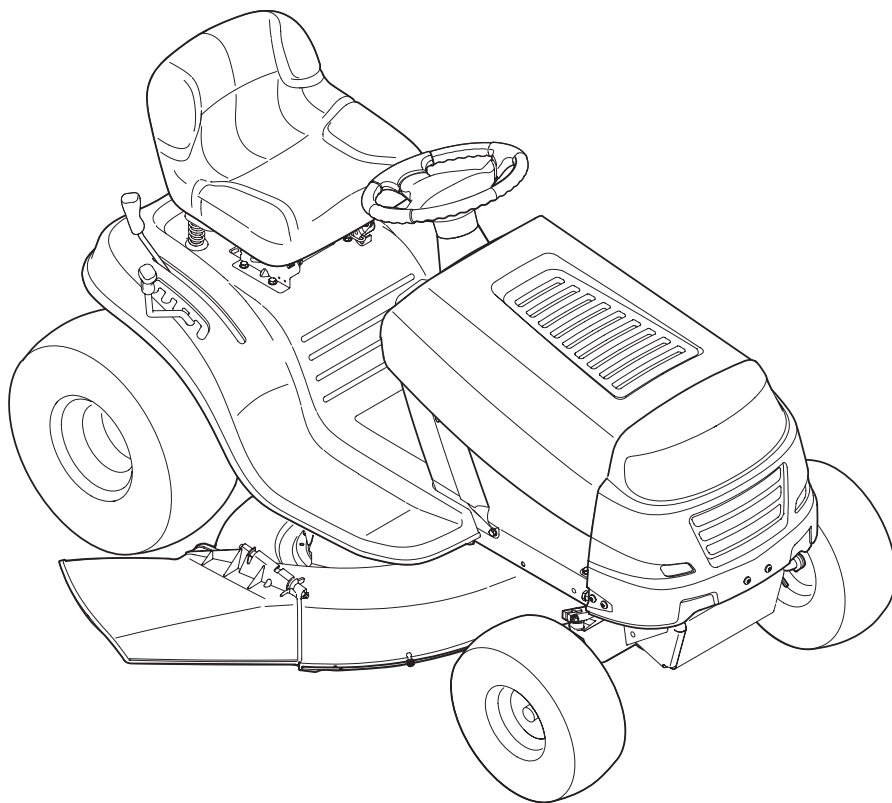

ILLUSTRATED PARTS MANUAL



Transmatic Lawn Tractor — Model Series 700

MTD LLC, P.O. BOX 361131 CLEVELAND, OHIO 44136-0019

To The Owner

Thank You

Thank you for purchasing this lawn tractor. It was carefully engineered to provide excellent performance when properly operated and maintained.

All information in this manual is relative to the most recent product information available at the time of printing.

Please be aware that this Illustrated Part's Manual may cover a range of product specifications for various models. Components

listed and/or illustrated in this manual may not be applicable to all models. We reserve the right to change product specifications, designs and equipment without notice and without incurring obligation.

Throughout this manual, all references to *right* (RH) and *left* (LH) are observed from the operating position.

Table of Contents

<i>Axle, Front</i>	20	<i>Fuel Tank</i>	4-17
<i>Battery</i>	18	<i>Hood</i>	4-17
<i>Head Lamps</i>	4-17	<i>Deck Lift Handle/Linkage</i>	18
<i>Mower Deck, 38-inch</i>	26	<i>Muffler</i>	32
<i>Mower Deck, 42-inch</i>	28	<i>PTO Lever</i>	18
<i>Mower Deck, 46-inch</i>	30	<i>Seat</i>	22
<i>Pedal Controls</i>	24	<i>Steering Wheel</i>	20
<i>Dash Panel</i>	4-17	<i>Switches, Interlock</i>	18
<i>Drive System</i>	24	<i>Throttle Control</i>	4-17
<i>Electrical Schematic</i>	21	<i>Transmission</i>	24
<i>Engine Accessories</i>	32	<i>Wheels, Front</i>	20
<i>Fender</i>	22	<i>Wheels, Rear</i>	24
<i>Frame</i>	18	<i>Wiring Harness Schematic</i>	38-39

Record Product Information

To ease in ordering replacement parts, please locate the model plate on the equipment and record the information in the provided area to the right. You can locate the model plate by looking beneath the seat.

MODEL NUMBER

--	--	--	--	--	--	--	--	--	--	--

SERIAL NUMBER

--	--	--	--	--	--	--	--	--	--	--

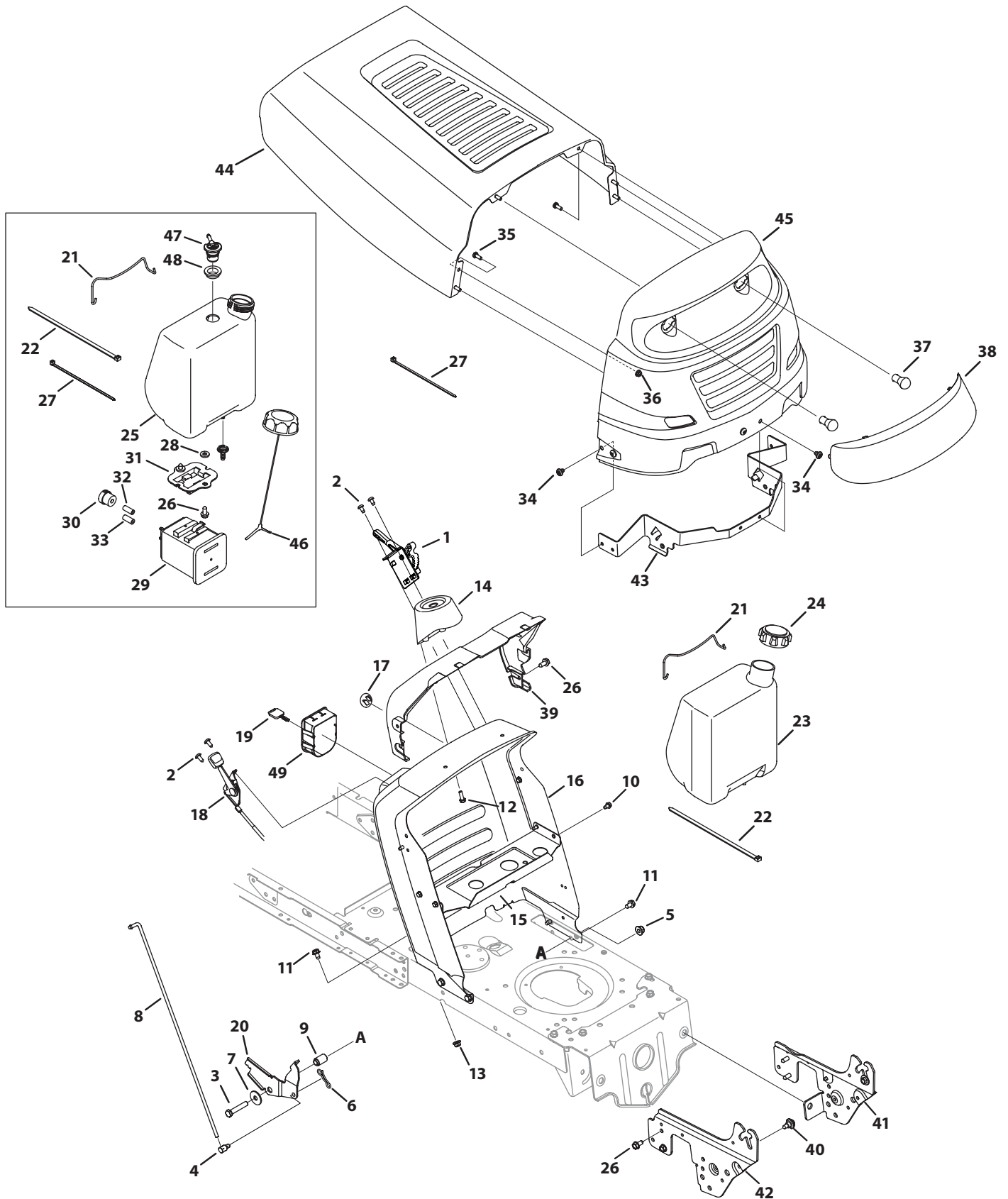
Painted Parts

When ordering painted service parts, a four digit color suffix must be added to the part number (e.g. 783-XXXX-0637). Please refer to the table below for current color codes:

0637	Black
0709	Dark Green (Bolens, Yard-Man)
0662	Oyster Gray (MTD Gold)
0638	Red (Yard Machines, Huskee, Troy-Bilt, MTD)
0691	Black Jack (MTD Gold, MasterCut)

0674	Yellow (Yard-Man)
0650	Metallic Red (White Outdoor)
0629	Silver Flake (MTD Platinum)
04038	Day Orange (Daedong)
04033	Flint Mica (Troy-Bilt XP)

1 Style Hood



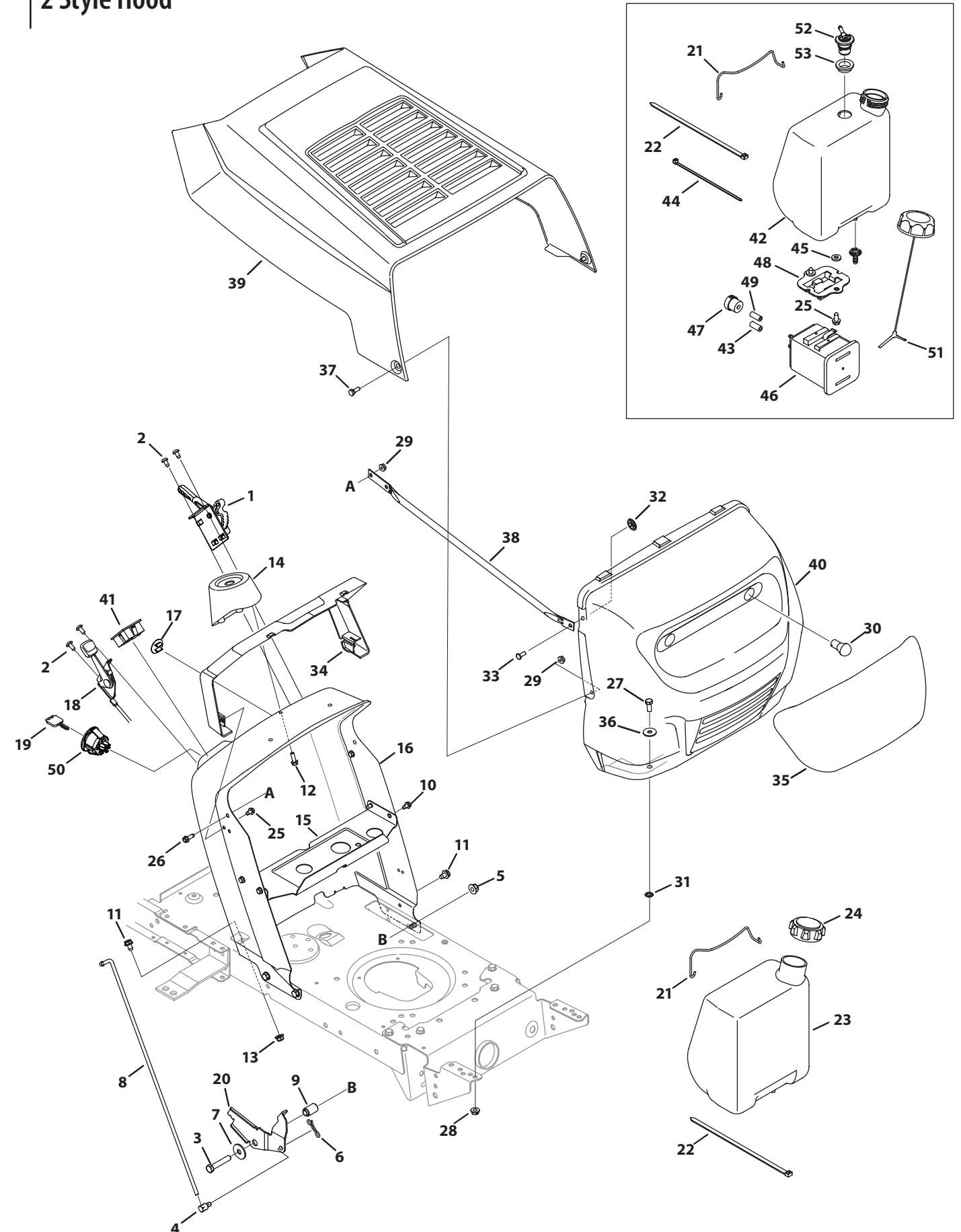
1 Style Hood

Ref.	Part Number	Description
1	983-04216	7-Speed Control Assembly
	983-04503	7-Speed Control Assembly
	983-04225	6-Speed Control Assembly
2	710-04483	Screw, 1/4-20 x .500
3	710-3144	Hex Screw, 3/8-16 x 2.0
4	711-0736	Ferrule, 1/4-20 x 1.00
5	710-04065	Flangelock Nut, 3/8-16
6	714-04040	Bow-Tie Cotter Pin, 72
7	936-0133	Flat Washer, .411 x 1.25 x .100
8	747-04430	Speed Selector
9	750-04465	Flange Spacer, .390 x .671 x 1.095
10	710-0599	Hex Washer Screw, 1/4-20 x .500
11	710-0604A	Screw, 5/16-18 x .625
12	710-0895	Screw, 1/4-15 x .750
13	712-04063	Flangelock Nut, 5/16-18
14	731-04945	Steering Support
15	783-04584A	Gas Tank Support Bracket
16	783-04873B	Dash, No RMC - Powder Black
17	731-05265	Choke Plug
18	746-04364	Throttle/Choke Cable Assembly
19	925-1745A	Key
20	783-04903	Speed Latch - No RMC
21	683-04448	Battery Assembly Rod
22	726-0230	Cable Tie
23	751-0555B	1.5 Gallon Fuel Tank
24	751-0603A	Fuel Cap

Ref.	Part Number	Description
25	751-10782	1.36 Gallon Fuel Tank
26	710-04484	Screw, 5/16-18 x .750
27	725-0157	Cable Tie
28	936-3008	Flat Washer, .344 x .750 x .120
29	951-10589	5 Gallon Carbon Canister
30	951-10590	Vent Filter Canister
31	951-10610	Canister Adapter
32	751-10749-30	Fuel Hose, White
33	751-10750-28	Fuel Hose, Yellow
34	710-04593	Screw, 5/16-18 x .375
35	710-0751	Hex Screw, 1/4-20 x .620
36	712-04064	Flangelock Nut, 1/4-20
37	925-0963	Miniature Lamp 12V Socket
38	731-04949A	Lens Grill
39	731-05078C	Dash Collar
40	738-04091A	Shoulder Screw, 5/16-18 x .43 x .29
41	783-05327B	Left Support Pivot Bracket
42	783-05328A	Right Support Pivot Bracket
43	783-05454	Hood Pivot Bracket
44	783-05684	Hood
45	783-05685	Grill
46	951-10947	Fuel Cap, 2.25"
47	751-10441	Rollover Valve
48	735-04081	Rubber Grommet, 23 x 3.55
49	925-04659	Key Switch

NOTE: Tractor features vary by model. NOT all parts listed above and pictured on the previous page are standard equipment.

2 Style Hood

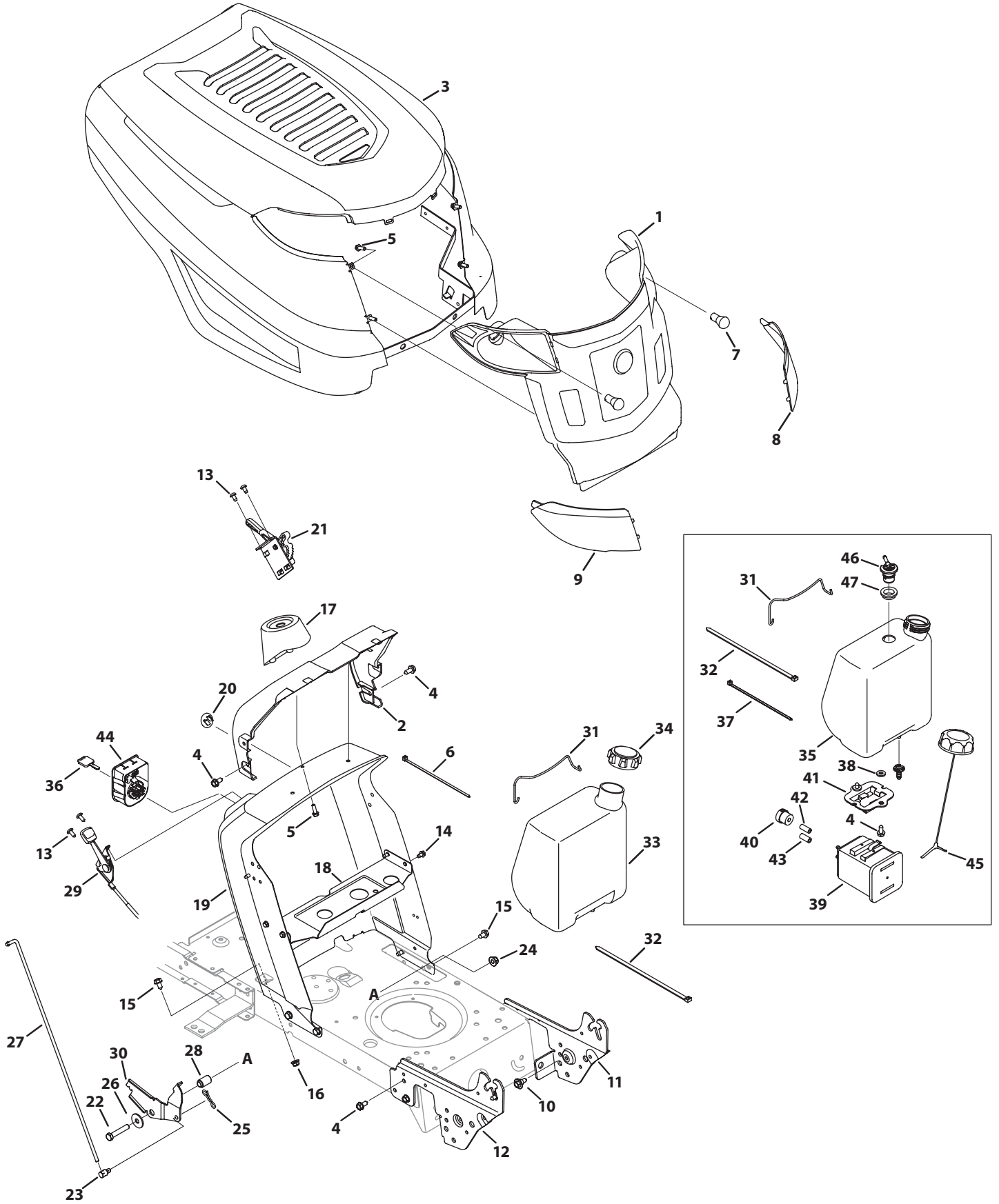


2 Style Hood

Ref.	Part Number	Description	Ref.	Part Number	Description
1	983-04216	7-Speed Control Assembly	27	710-3008	Hex Screw, 5/16-18 x .75
	983-04225	6-Speed Control Assembly	28	712-04063	Flangelock Nut, 5/16-18
2	710-04483	Screw, 1/4-20 x .500	29	712-04064	Flangelock Nut, 1/4-20
3	710-3144	Hex Screw, 3/8-16 x 2.0	30	925-0963	Miniature Lamp 12V Socket
4	711-0736	Ferrule, 1/4-20 x 1.00	31	726-0201	Speed Nut, .3125
5	710-04065	Flangelock Nut, 3/8-16	32	926-04012	Push-On Nut, .25
6	714-04040	Bow Tie Cotter Pin, 72	33	728-0162	Flat Head Rivet, 1/4"
7	936-0133	Flat Washer, .411 x 1.25 x .100	34	731-05012B	Dash
8	747-04430	Speed Selector	35	731-06042	Lens
9	750-04465	Flange Spacer, .390 x .671 x 1.095	36	736-3078	Flat Washer, .344 x 1.0 x .063
10	710-0599	Hex Washer Screw, 1/4-20 x .500	37	938-0952A	Shoulder Bolt, 1/4-20 x .375 x .125
11	710-0604A	Screw, 5/16-18 x .625	38	749-04220	Grill Support Rod
12	710-0895	Screw, 1/4-15 x .750	39	783-04608	Hood
13	712-04063	Flangelock Nut, 5/16-18	40	783-05656	Grill
14	731-04945	Steering Support	41	925-04156	Ammeter
15	783-04584A	Gas Tank Support Bracket	42	751-10782	Fuel Tank, 1.36 Gallons
16	983-04889B	Dash, RMC	43	751-10750	Fuel Hose, Yellow
17	731-05265	Choke Plug	44	725-0157	Cable Tie
18	746-04364	Throttle/Choke Cable	45	936-3008	Flat Washer, .344 x .750 x .120
19	925-1745A	Key	46	951-10589	5 Gallon Carbon Canister
20	783-04862	Speed Latch, RMC	47	951-10590	Vent Filter Canister
	783-04903	Speed Latch, No RMC	48	951-10610	Canister Adaptor Bracket
21	683-04448	Battery Assembly Rod	49	751-10749-30	Fuel Hose, White
22	726-0230	Cable Tie	50	925-04659	Key Switch
23	751-0555B	1.5 Gallon Fuel Tank	51	951-10947	Fuel Cap, 2.25"
24	751-0603A	Fuel Cap	52	751-10441	Rollover Valve
25	710-04484	Screw, 5/16-18 x .750	53	735-04081	Rubber Grommet, 23 x 3.55
26	710-0642	Screw, 1/4-20 x .750			

NOTE: Tractor features vary by model. NOT all parts listed above and pictured on the previous page are standard equipment.

K Style Hood

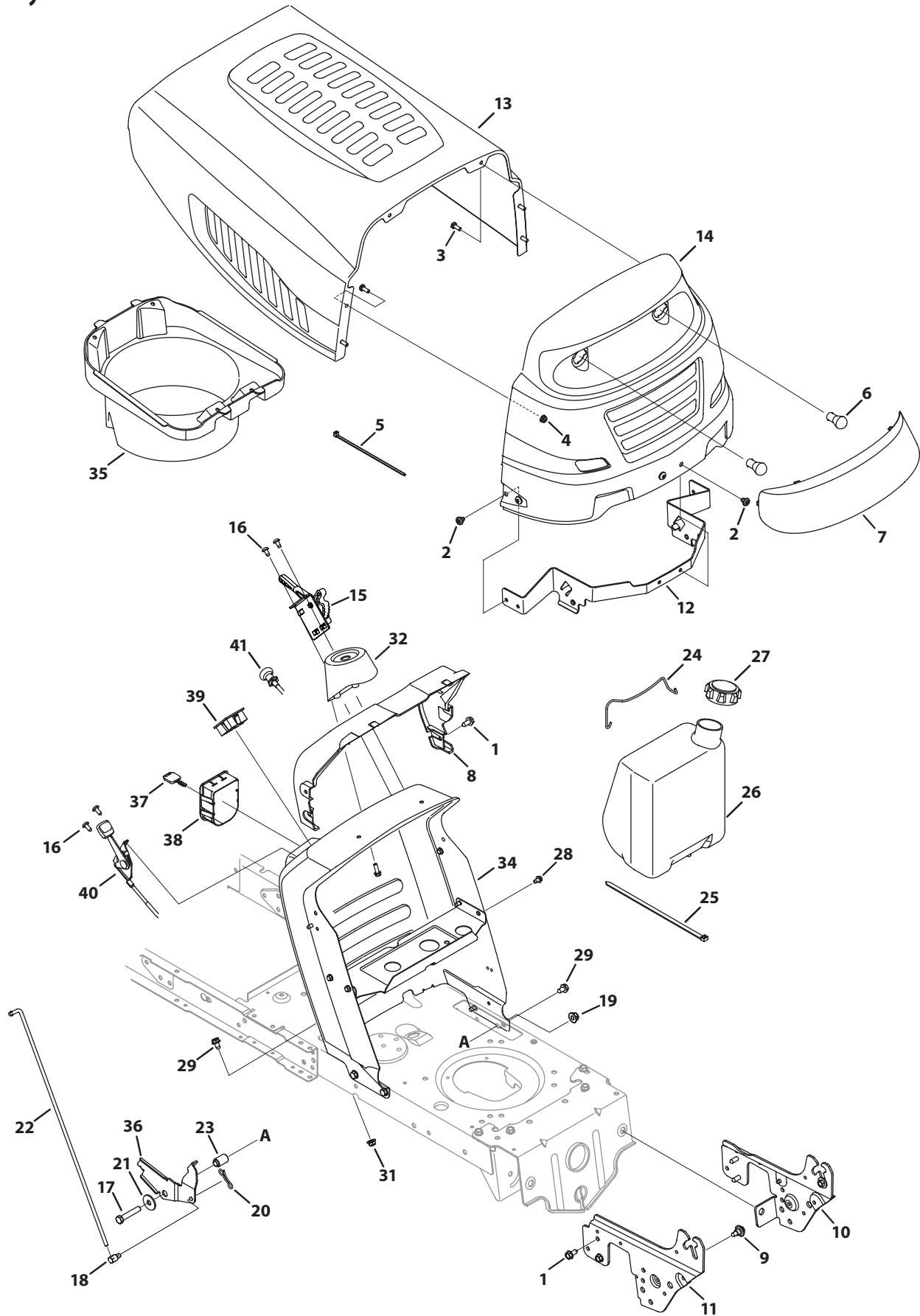


K Style Hood

Ref.	Part Number	Description	Ref.	Part Number	Description
1	631-04272	Grill Assembly, Troy-Bilt	23	711-0736	Ferrule, 1/4-20 x 1.00
	931-06796	Grill Assembly, K-Style	24	710-04065	Flangelock Nut, 3/8-16
2	731-05078C	Dash Collar	25	714-04040	Bow Tie Cotter Pin, 72
	731-06404	K-Style Bumper	26	936-0133	Flat Washer, .411 x 1.25 x .100
	710-04261	Screw, #12-16 x .50	27	747-04430	Speed Selector
3	683-04441	Hood Assembly	28	750-04465	Flange Spacer, .390 x .671 x 1.095
4	710-04484	Screw, 5/16-18 x .750	29	746-04364	Throttle/Choke Cable
5	710-0895	Screw, 1/4-15 x .750	30	783-04903	Speed Latch - No RMC
6	725-0157	Cable Tie	31	683-04448	Battery Assembly Rod
7	925-0963	Lamp	32	726-0230	Cable Tie
8	731-06095	Left Lens	33	751-0555B	1.5 Gallon Fuel Tank
9	731-06096	Right Lens	34	751-0603A	Fuel Cap
10	738-04091A	Shoulder Screw, 5/16-18 x .43 x .29	35	751-10782	1.36 Gallon Fuel Tank
11	783-05327B	Left Support Pivot Bracket	36	925-1745A	Key
12	783-05328A	Right Support Pivot Bracket	37	725-0157	Cable Tie
13	710-04483	Screw, 1/4-20 x .500	38	936-3008	Flat Washer, .344 x .750 x .120
14	710-0599	Hex Washer Screw, 1/4-20 x .500	39	951-10589	5 Gallon Carbon Canister
15	710-0604A	Screw, 5/16-18 x .625	40	951-10590	Vent Filter Canister
16	712-04063	Flangelock Nut, 5/16-18	41	951-10610	Canister Adapter Bracket
17	731-04945	Steering Support	42	751-10749-30	Fuel Hose, White
18	783-04584A	Gas Tank Support Bracket	43	751-10750-28	Fuel Hose, Yellow
19	783-04873B	Dash, No RMC - Red	44	925-04659	3 Position Key Switch
20	731-05265	Choke Plug	45	951-10947	Fuel Cap, 2.25"
21	983-04216	7-Speed Control Assembly	46	751-10441	Rollover Valve
22	710-3144	Hex Screw, 3/8-16 x 2.0	47	735-04081	Rubber Grommet, 23 x 3.55

NOTE: Tractor features vary by model. NOT all parts listed above and pictured on the previous page are standard equipment.

5 Style Hood with Plenum

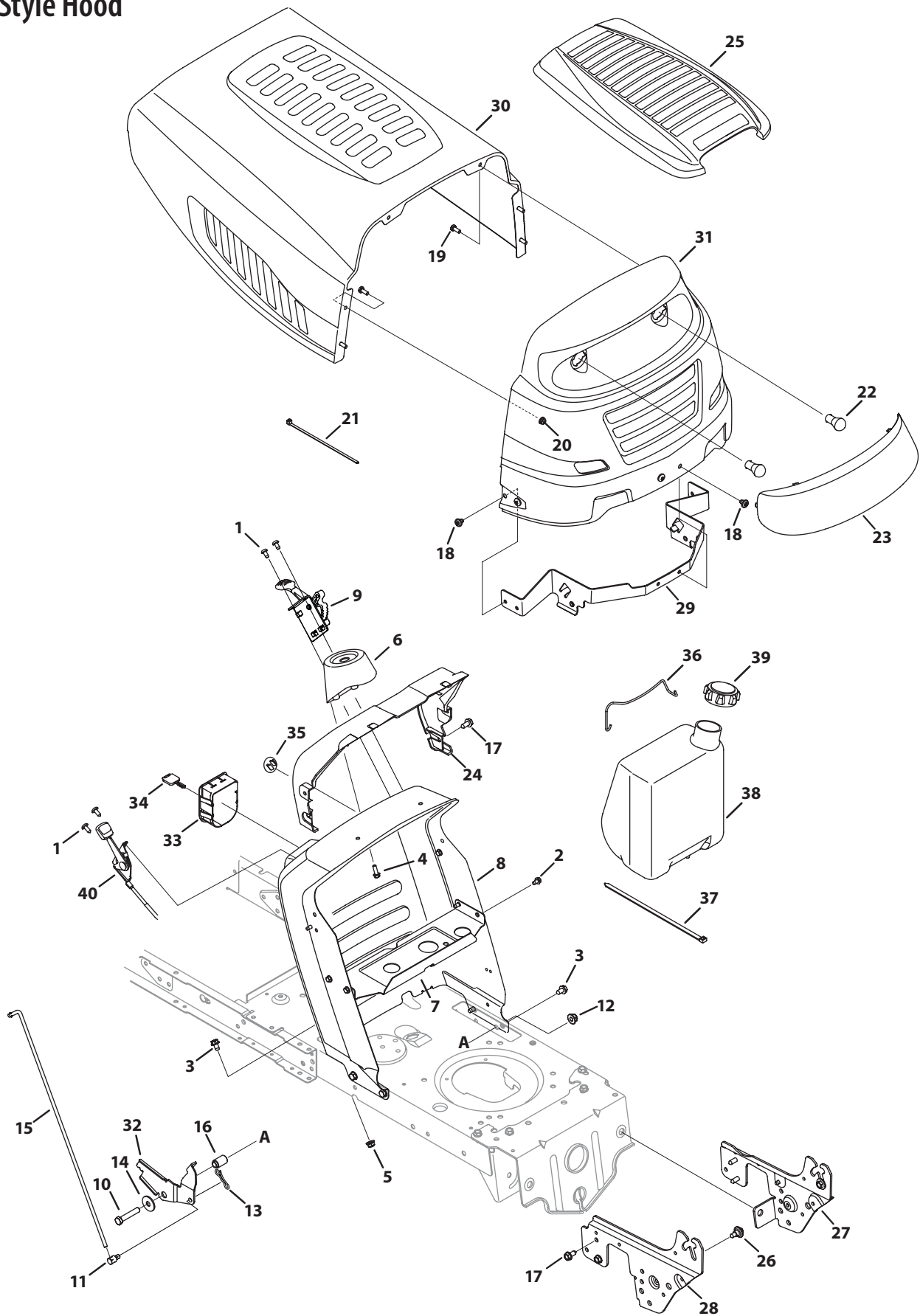


5 Style Hood with Plenum

Ref.	Part Number	Description	Ref.	Part Number	Description
1	710-04484	Screw, 5/16-18 x .750	22	747-04430	Speed Selector Control Rod
2	710-04593	Screw, 5/16-18 x .375	23	750-04465	Flange Spacer, .390 x .671 x 1.095
3	710-0751	Hex Screw, 1/4-20 x .620	24	683-04448	Battery Rod
4	712-04064	Flangelock Nut, 1/4-20	25	726-0230	Cable Tie
5	725-0157	Cable Tie	26	751-0555B	Fuel Tank, 1.5 Gallon
6	925-0963	Miniature Lamp, 12V	27	751-0603A	Fuel Cap
7	731-04949A	Grill Lens	28	710-0599	Hex Index Washer Screw, 1/4-20
8	731-05078C	Dash Collar	29	710-0604A	Screw, 5/16-18 x .625
9	738-04091A	Shoulder Screw, 5/16-18	30	710-0895	Screw, 1/4-15 x .750
10	783-05327B	Left-hand Support Pivot Bracket	31	712-04063	Flangelock Nut, 5/16-18
11	783-05328A	Right-hand Support Pivot Bracket	32	731-04945	Steering Support
12	783-05454	Hood Pivot Bracket	33	783-04584A	Gas Tank Support Bracket
13	783-05683	Hood	34	983-04889B	Dash, RMC
14	783-05685	Grill	35	731-06216	Plenum
15	983-04216	7-speed Control Assembly	36	783-04862	Speed Latch
16	710-04483	Screw, 1/4-20 x .500	37	925-1745A	Key
17	710-3144	Hex Screw, 3/8-16 x 2.0	38	925-04227B	Key Switch
18	711-0736	Ferrule, 1/4-20 x 1.0	39	925-04156	Ammeter Monitor
19	712-04065	Flangelock Nut, 3/8-16	40	746-04365	Throttle Cable
20	714-04040	Bow Tie Cotter Pin, 72	41	746-1085A	Choke Control
21	936-0133	Flat Washer, .411 x 1.25 x .100			

NOTE: Tractor features vary by model. NOT all parts listed above and pictured on the previous page are standard equipment.

5 Style Hood

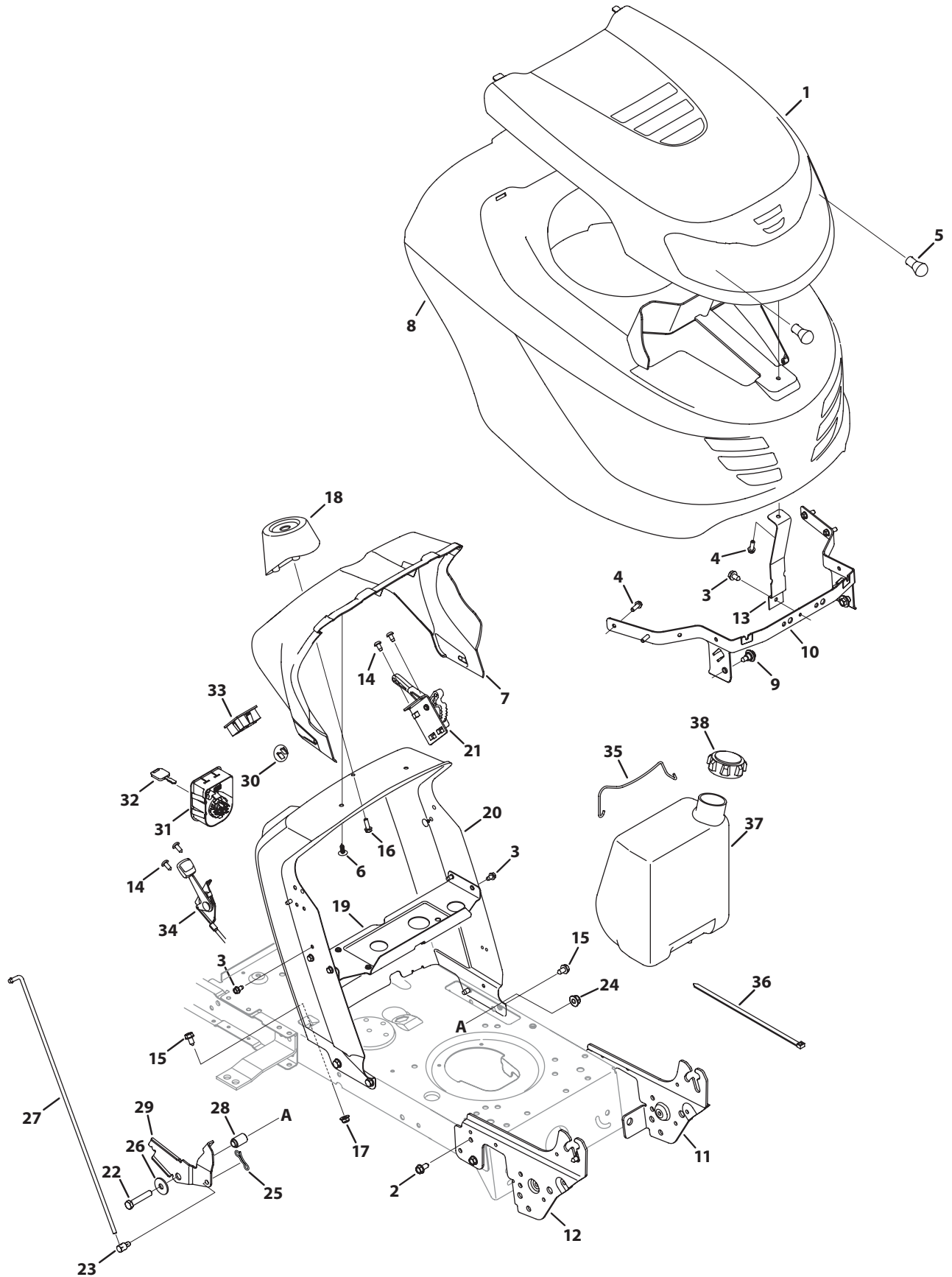


5 Style Hood

Ref.	Part Number	Description	Ref.	Part Number	Description
1	710-04483	Screw, 1/4-20 x .500	21	725-0157	Cable Tie
2	710-0599	Hex Index Washer Screw, 1/4-20 x .500	22	925-0963	Miniature Lamp, 12V
3	710-0604A	Screw, 5/16-18 x .625	23	731-04949A	Grill Lens
4	710-0895	Screw, 1/4-15 x .750	24	731-05078C	Dash Collar
5	712-04063	Flangelock Nut, 5/16-18	25	731-05522A	Hood Cover
6	731-04945	Steering Support	26	738-04091A	Shoulder Screw, 5/16-18, .43 x .29
7	783-04584A	Gas Tank Support Bracket	27	783-05327B	Left-hand Support Pivot Bracket
8	783-04873B	Dash, No RMC	28	783-05328A	Right-hand Support Pivot Bracket
9	983-04274	7-speed Control Assembly	29	783-05454	Hood Pivot Bracket
10	710-3144	Hex Screw, 3/8-16 x 2.0	30	783-05683	Hood
11	711-0736	Ferrule, 1/4-20 x 1.0	31	783-05685	Grill
12	712-04065	Flangelock Nut, 3/8-16	32	783-04903	Speed Latch, No RMC
13	714-04040	Bow Tie Cotter Pin, 72	33	925-04659	Key Switch
14	936-0133	Flat Washer, .411 x 1.25 x .100	34	925-1745A	Key
15	747-04430	Speed Selector Control Rod	35	731-05265	Choke Plug
16	750-04465	Flange Spacer, .390 x .671 x 1.095	36	683-04448	Battery Rod
17	710-04484	Screw, 5/16-18 x .750	37	726-0230	Cable Tie
18	710-04593	Screw, 5/16-18 x .375	38	751-0555B	Fuel Tank, 1.5 Gallon
19	710-0751	Hex Screw, 1/4-20 x .620	39	751-0603A	Fuel Cap
20	712-04064	Flangelock Nut, 1/4-20	40	746-04364	Throttle/Choke Cable

NOTE: Tractor features vary by model. NOT all parts listed above and pictured on the previous page are standard equipment.

G Style Hood

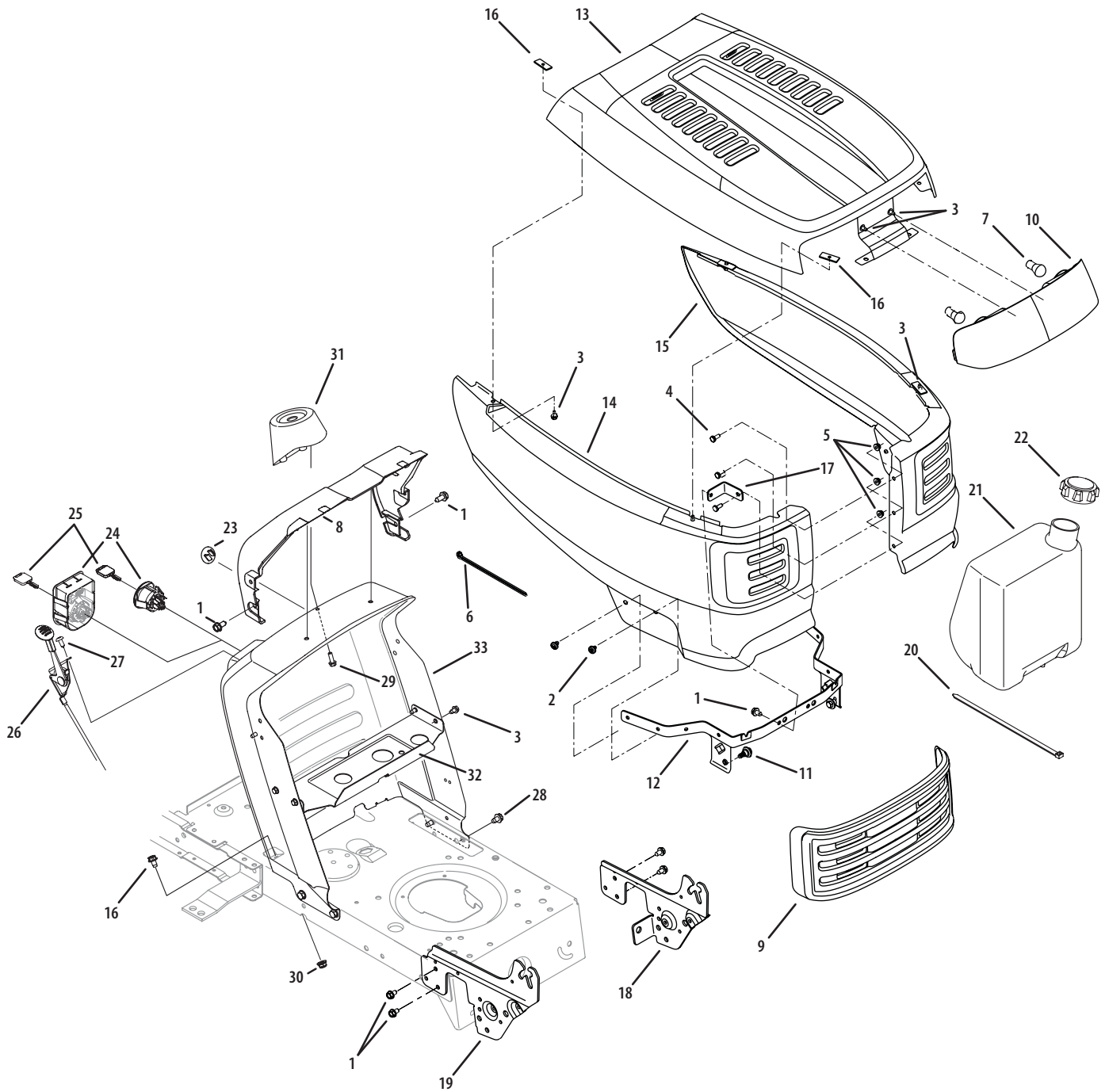


G Style Hood

Ref.	Part Number	Description	Ref.	Part Number	Description
1	931-04308	G Style Hood, Upper Assembly	19	783-04584A	Gas Tank Support Bracket
	931-06564	Lens, G Style Hood	20	983-04889B	Dash
	777X43285	Label, Reflective G Style	21	983-04216	7 Speed Control Assembly
2	710-04484	Screw, 5/16-18 x .750	22	710-3144	Hex Screw, 3/8-16 x 2.00
3	710-0599	Screw, 1/4-20 x 0.500	23	711-0736	Ferrule, 1/4-20 x 1.00
4	710-0895	Screw, 1/4-15 x 0.750	24	712-04065	Flangelock Nut, 3/8-16
5	925-0963	Lamp	25	714-04040	Bow Tie Cotter Pin, 72
6	726-3046	Ratchet Clip, .250 DIA	26	936-0133	Flat Washer, .411 x 1.25 x .100
7	931-06470	Dash Collar	27	747-04430	Speed Selector Control Rod
8	931-06537	G Style Hood	28	750-04465	Flange Spacer, .390 x .671 x 1.095
9	738-04091A	Shoulder Screw, 5/16-18, .43 x .29	29	783-04862	Speed Latch
10	783-04606C	Pivot Hood Bracket	30	731-05265	Choke Plug
11	783-05327B	LH Pivot Support Bracket	31	925-04227B	Key Switch Module
12	783-05328A	RH Pivot Support Bracket	32	925-1745A	Key
13	783-06117	Hood Support Bracket	33	925-04156	Indicator Monitor
14	710-04483	Screw, 1/4-20 x .500	34	746-04364	Throttle/Choke Cable
15	710-0604A	Screw, 5/16-18 x 0.625	35	683-04448	Battery Rod
16	710-0895	Screw, 1/4-15 x 0.750	36	726-0230	Cable Tie
17	712-04063	Flangelock Nut, 5/16-18	37	751-0555B	Fuel Tank
18	731-04945	Steering Support	38	751-0603A	Fuel Cap

NOTE: Tractor features vary by model. NOT all parts listed above and pictured on the previous page are standard equipment.

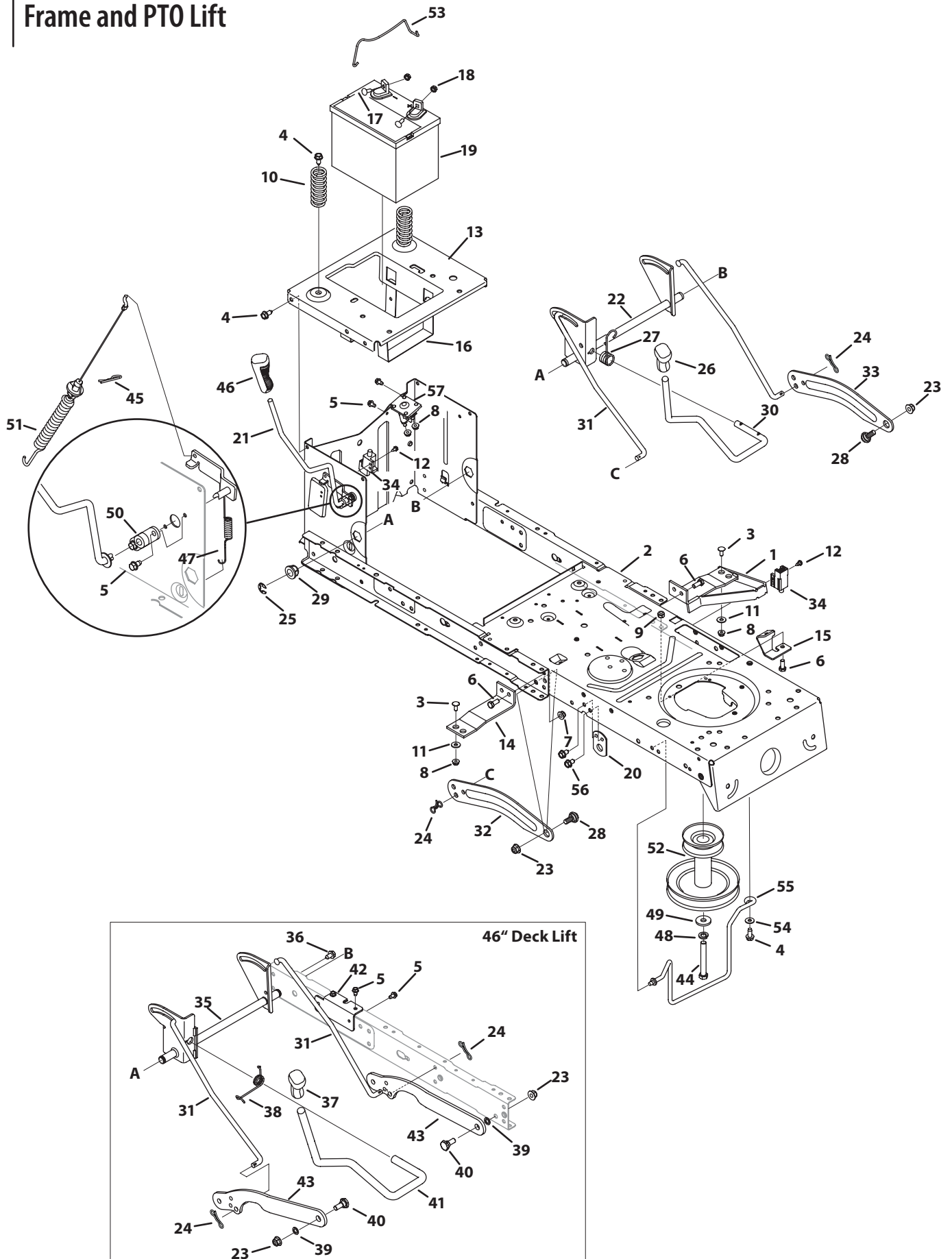
T Style Hood



Ref.	Part Number	Description
1	710-04484	Screw, tt, 5/16-18, .750
2	710-04593	Screw, tt, 5/16-18, 0.375
3	710-0599	Screw, tt, 1/4-20, 0.500
4	710-0751	Hex Screw, 1/4-20, .620
5	712-04064	Nut, Flange Lock, 1/4-20
6	725-0157	Cable tie, 3/16 X .05 X 7.4
7	925-0963	Lamp, #1156
8	731-05078C	Dash Collar
9	731-06358	Ins, grill, T-Style
10	731-06414	Lens, T-Style
11	738-04091A	Screw, Shldr, .43x.29, Tt, 5/16-18
12	783-04606C	Bracket, pivot, hood
13	783-04827	Hood
14	783-04828	Side Panel, RH
15	783-04967	Side Panel, LH W/O Window
16	783-05223	Fastener, hood T-Style
17	783-05315	Hood Bracket, Front
18	783-05327B	Bracket Support, Pivot LH
19	783-05328A	Bracket Support, Pivot RH
20	726-0230	Cable Tie
21	751-0555B	Fuel Tank
22	751-0603A	Fuel Cap
23	731-05265	Choke Plug
24	925-04659	Key Switch
	925-04227B	Key Switch Module
25	925-1745A	Key
26	746-04364	Throttle/Choke Cable
27	710-04483	Screw, 1/4-20 x .500
28	710-0604A	Screw, 5/16-18 x 0.625
29	710-0895	Screw, 1/4-15 x 0.750
30	712-04063	Flangelock Nut, 5/16-18
31	731-04945	Steering Support
32	783-04584A	Gas Tank Support Bracket
33	783-04873B	Dash

NOTE: Tractor features vary by model. NOT all parts listed above and pictured on the previous page are standard equipment.

Frame and PTO Lift

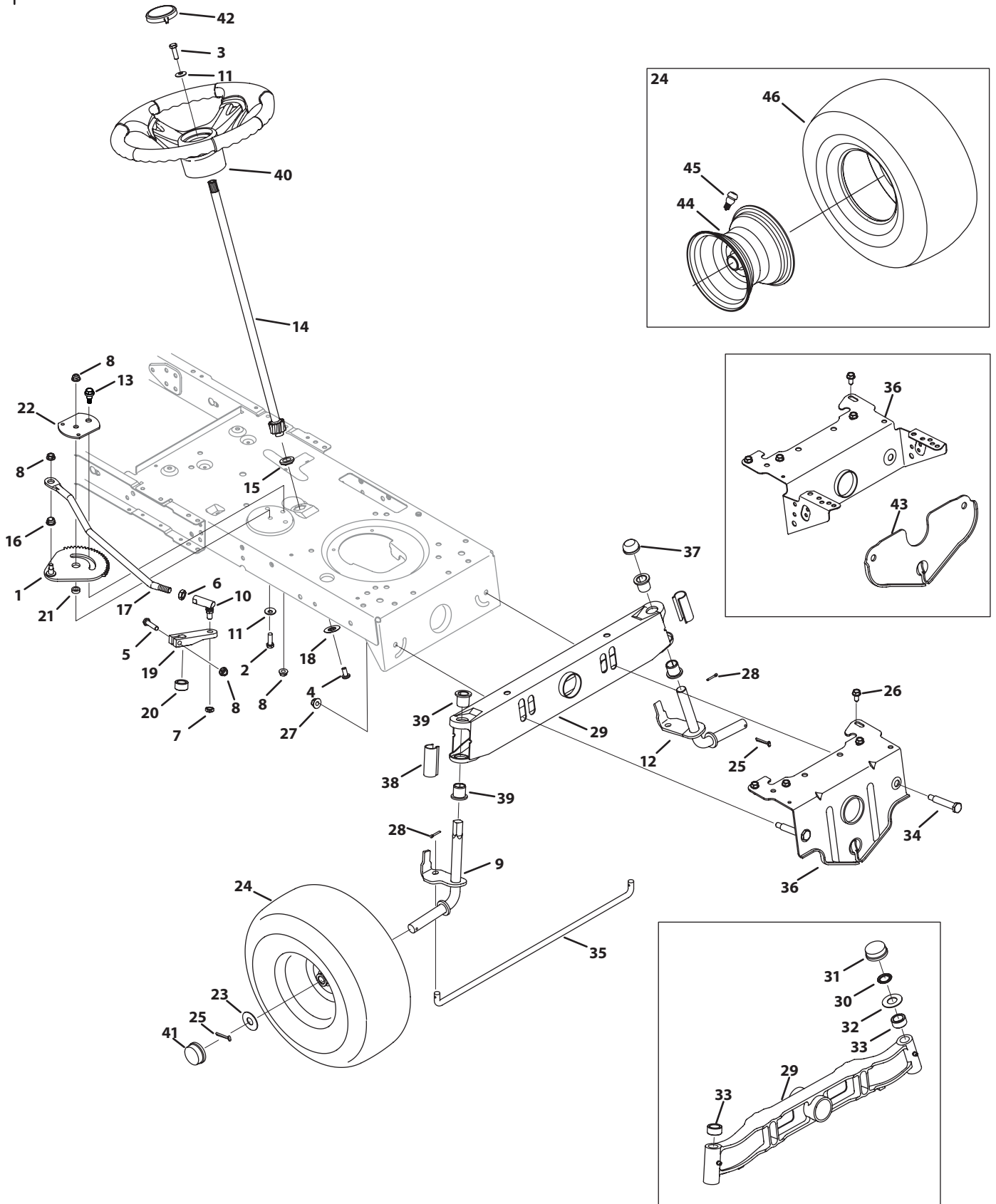


Frame and PTO Lift

Ref.	Part Number	Description	Ref.	Part Number	Description
1	683-04195	Support Bracket	32	783-04494C	38/42" Lift Arm, RH
2	683-04601	Frame Assembly	33	783-04711C	38/42" Lift Arm, LH
3	710-0134	Screw Carriage, 1/4-20 x .62	34	725-04363	Switch Interlock
4	710-04484	Screw 5/16-18 x .750	35	683-04334	Lift Assembly, 46"
5	710-0599	Screw, 1/4-20 x .500	36	710-0604A	Screw, 5/16-18 x .625
6	710-3008	Hex Screw, 5/16-18 x .75	37	720-0298	Handle Grip, 5/8
7	712-04063	Flangelock Nut, 5/16-18	38	732-04438	Torsion Spring Handle, 46"
8	712-04064	Flangelock Nut, 1/4-20	39	936-0140	Flat Washer, .385 x .62 x .063
9	912-0429	Hexlock Nut, 5/16-18	40	938-0380	Shoulder Bolt, 3/8-16 x .500 x .270
10	732-04035	Compression Spacer, 1.28 x 3.125	41	747-04653	46" Lift Handle
11	736-0173	Flat Washer, .28 x .74 x .063	42	783-05389	Frame Brace Bracket
12	738-04237A	Shoulder Spacer, 10-32 x .500	43	783-0678C	Lift Deck Link
13	783-04548C	Seat Frame Bracket	44	710-04607	Hex Screw, 7/16-20 x 2.75, 46"
14	783-04637	Running Board Bracket		710-04608	Hex Screw, 7/16-20 x 3.25, 38/42"
15	783-04753	Support Frame Bracket	45	914-0145	Click Pin, .092 x 1.64
16	783-04869A	Battery Bracket	46	720-04049A	Handle Grip, 3/8
17	710-04666	Hex Head Flange, 1/4-20 x .75	47	732-04276A	PTO Spring Extension
18	712-0271	Sems Nut, 1/4-20	48	936-0171	Regular Duty Washer Lock, 7/16
19	925-1707D	230 CCA Battery	49	736-0322	Flat Washer, .450 x 1.250 x .164
20	783-04536B	Support Bracket	50	741-04119A	PTO Bearing
21	647-04096	PTO Handle Assembly	51	946-04173E	Deck Engage Cable
22	683-04155A	Lift Assembly, 38/42"	52	756-04207A	Engine Pulley, 3.39 x 6.12, 46"
23	712-04065	Flangelock Nut, 3/8-16		756-04196A	Engine Pulley, 3.39 x 6.12, 38/42"
24	714-04040	Bow-tie Cotter Pin	53	747-04744	Battery Hold Down Rod
25	716-0106A	E Ring	54	936-0300	Flat Washer, .406 x .875 x .059
26	720-0311	Handle Grip, 1/2	55	747-04332A	38" Belt Keeper
27	732-04225	Torsion Spring		747-04857	42" Belt Keeper
28	738-04130	Shoulder Bolt, 3/8-16 x .625 x .175		683-04414	46" Belt Keeper
29	941-0225	Hex Flange Bearing	56	710-0604A	Screw, 5/16-18.0 x .625
30	747-04282	Deck Lift Handle	57	725-04439	12V Solenoid
31	747-04393	Lift Rod			

NOTE: Tractor features vary by model. NOT all parts listed above and pictured on the previous page are standard equipment.

Front End Steering

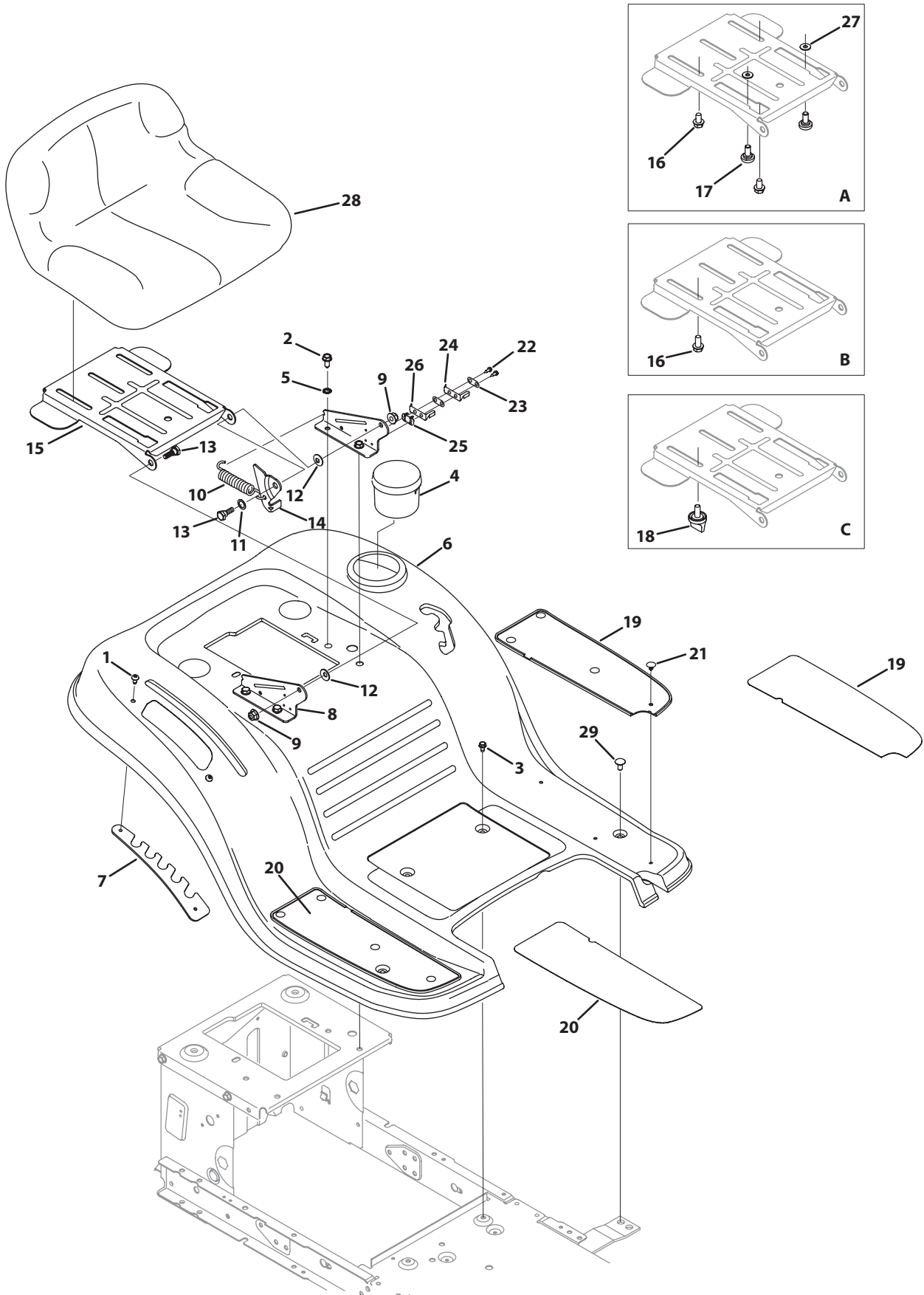


Front End Steering

Ref.	Part Number	Description	Ref.	Part Number	Description
1	617-04024	Front Steering Gear Assembly	25	714-04039	Cotter Pin, 5/32 x 1.25
2	710-0376	Hex Screw, 5/16-18 x 1.00	26	710-04484	Screw, 5/16-18 x .750
3	710-0643	Hex Screw, 5/16-18 x 1.00, Lock	27	712-04065	Flangelock Nut, 3/8-16
4	710-1309	Machine Screw, 5/16-18 x .750	28	914-0474	Cotter Pin, .125 x .75
5	710-3180	Hex Screw, 5/16-18 x 1.75	29	719-04177A	Pivot Axle
6	912-0240	Jam Nut, 7/16-20		683-0128B	Pivot Axle
7	912-0214	Jamlock Nut, 3/8-24	30	726-04035	Push Nut, 3/4
8	712-04063	Flangelock Nut, 5/16-18	31	731-04693	Hub Cap
9	638-04008P	Front RH Axle	32	936-0316	Flat Washer, .78 x 1.59 x .060
	938-04013	46" Front RH Axle	33	748-04068	Spacer, .71 x .125 x .56
10	923-0448A	Ball Joint, 7/16-20	34	738-04128	Shoulder Bolt, 3/8-16 x .500 x 2.38
11	736-0242	Bell Washer, .340 x .872 x .060	35	747-04299A	Fixed Rod
12	938-04007A	Front LH Axle	36	783-05326	Pivot Bar Bracket
	938-04014A	46" Front LH Axle		783-04601C	Pivot Bar Bracket
13	738-04141	Shoulder Bolt, 5/16-18 x .435 x .350	37	726-0341	Push Cap, 3/4
14	738-0919A	Steering Shaft, 5/8 x 22.08	38	731-04057A	Standard Axle Cap
15	941-04124	Flange Bearing, 5/8	39	741-0660A	Flange Bearing, .760 x .941 x 1.0
16	941-0475	Plastic Bushing, .380 ID	40	631-04028	Steering Wheel
17	747-04298	Steering Link	41	931-0484A	Hub Cap
18	948-0389	Cap, 1.25 x .16	42	731-04039	Cap
19	748-04065	Steering Block		731-04040	Sprig Cap
20	748-04068	Spacer, .71 x .125 x .56		731-04681	Cap, Troy-Bilt
21	750-04418	Spacer, .322 x .625 .21	43	783-04568	Front Deck Hanger Bracket
22	783-04644	Gear Segment Stabilizer Plater	44	634-04634	Rim Asm, 6.0 x 4.5, 46" Deck
23	736-04228A	Flat Washer, .781 x 1.590		634-04081	Rim Asm, 6.0 x 4.5, 42/38" Deck
24	634-04639	Wheel Assembly, 46"	45	734-0255	Valve, tubeless Air
	634-04086	Wheel Assembly, 42"	46	734-1731	Tire, 15 X 6 X 6 Sq Shldr, 42/46"
	634-04325	Wheel Assembly, 38"		734-04240A	Tire, 15 X 6 X 6 Rd Shldr, 38"

NOTE: Tractor features vary by model. NOT all parts listed above and pictured on the previous page are standard equipment.

Seat and Fender

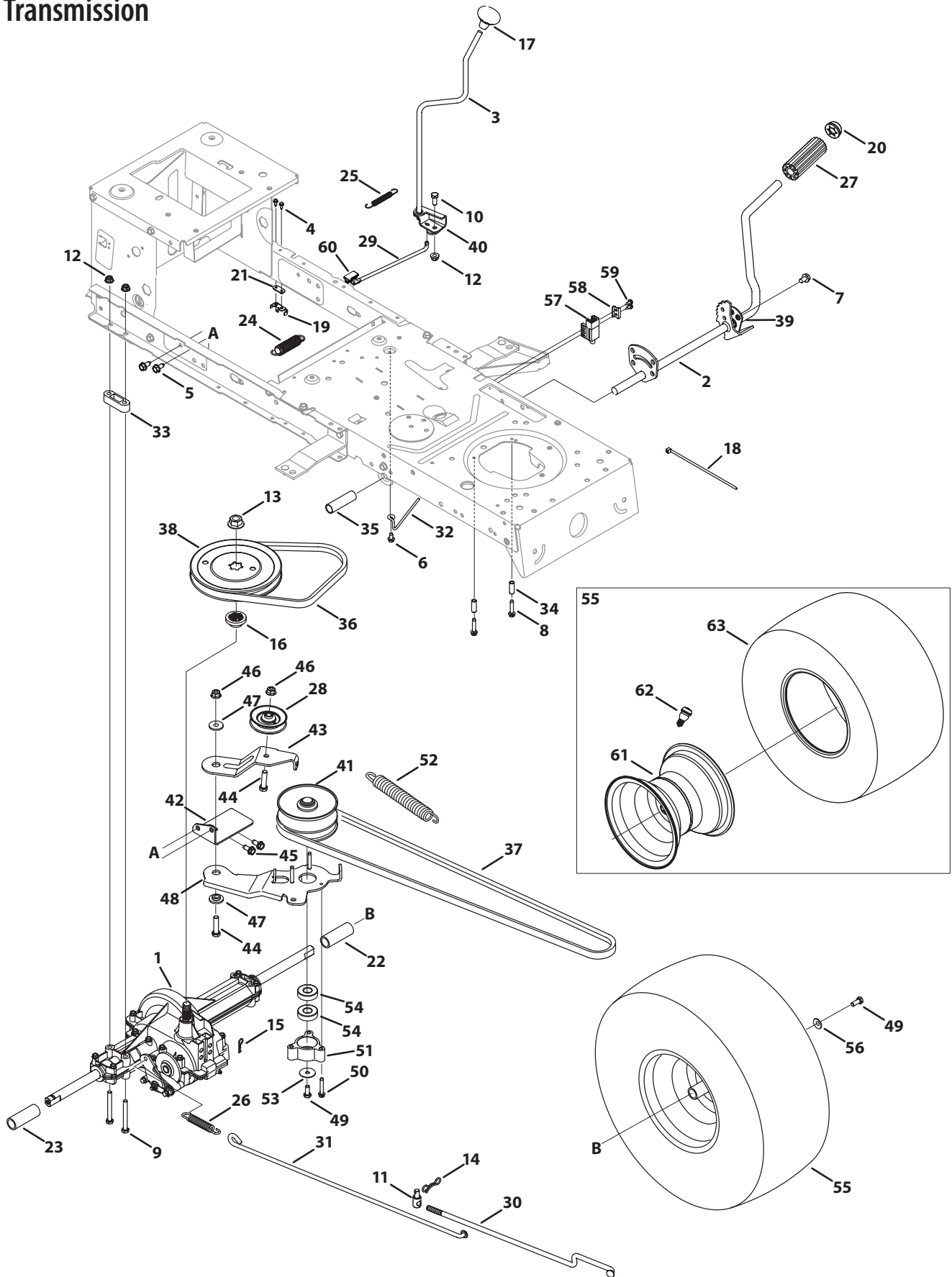


Seat and Fender

Ref.	Part Number	Description	Ref.	Part Number	Description
1	710-04483	Screw, 1/4-20 x .500	19	735-04047	Foot Pad, LH
2	710-04484	Screw, 5/16-18 x .750		723-04026	Foot Pad, Abrasive, LH
3	710-0599	Screw Pan Torx Head, 1/4-20 x .500	20	735-04048	Foot Pad, RH
4	731-04591A	Cup Holder		723-04025	Foot Pad, Abrasive, RH
5	736-0607	Loack Washer, 5/16	21	726-04072A	Ratchet Clip, .250 x .500
6	783-04587C	Fender - Red	22	710-0227	Screw, 8-18 x .500
7	783-04843	Lift Adjuster Bracket - Powder Black	23	726-0279	Insulator Plate
8	783-1489C	Seat Mount Bracket - Powder Black	24	925-1303	Outer Seat SPring
9	712-04063	Flangelock Nut, 5/16-18	25	726-0278	Insulator Boss Plate
10	732-1184	Extension Spring	26	725-1439	Inner Seat Spring
11	936-0108	Flat Washer, .510x .750 x .033	27	936-0140	Flat Washer, .385 x .62 x .063
12	736-0242	Bell Washer, .340 x .872 x .060	28	957-04037	Medium Back Seat, Set-up A
13	938-0296	Shoulder Screw, 5/16-18 x .437 x .268		757-04083	Medium Back Seat, Black, Set-up B
14	783-0209D	Lift Seat Bracket		757-04084	Medium Back Seat, Yellow, Set-up B
15	783-04081C	Pivot Seat Manual Adjust Bracket		757-04099	Low Back Seat, Black, Set-up B or C
16	710-04482	Hex Head Flange, 3/8-16 x .875		757-04100	Low Back Seat, Yellow, Set-up B
17	738-04012A	Shoulder Screw, 3/8-16 x .625 x .145		757-04088	High Back Seat, Black, Set-up B
18	720-04061	Knob, 3/8-16 x .875	29	710-0134	Screw Carriage, 1/4-20 x .62

NOTE: Tractor features vary by model. NOT all parts listed above and pictured on the previous page are standard equipment.

Transmission

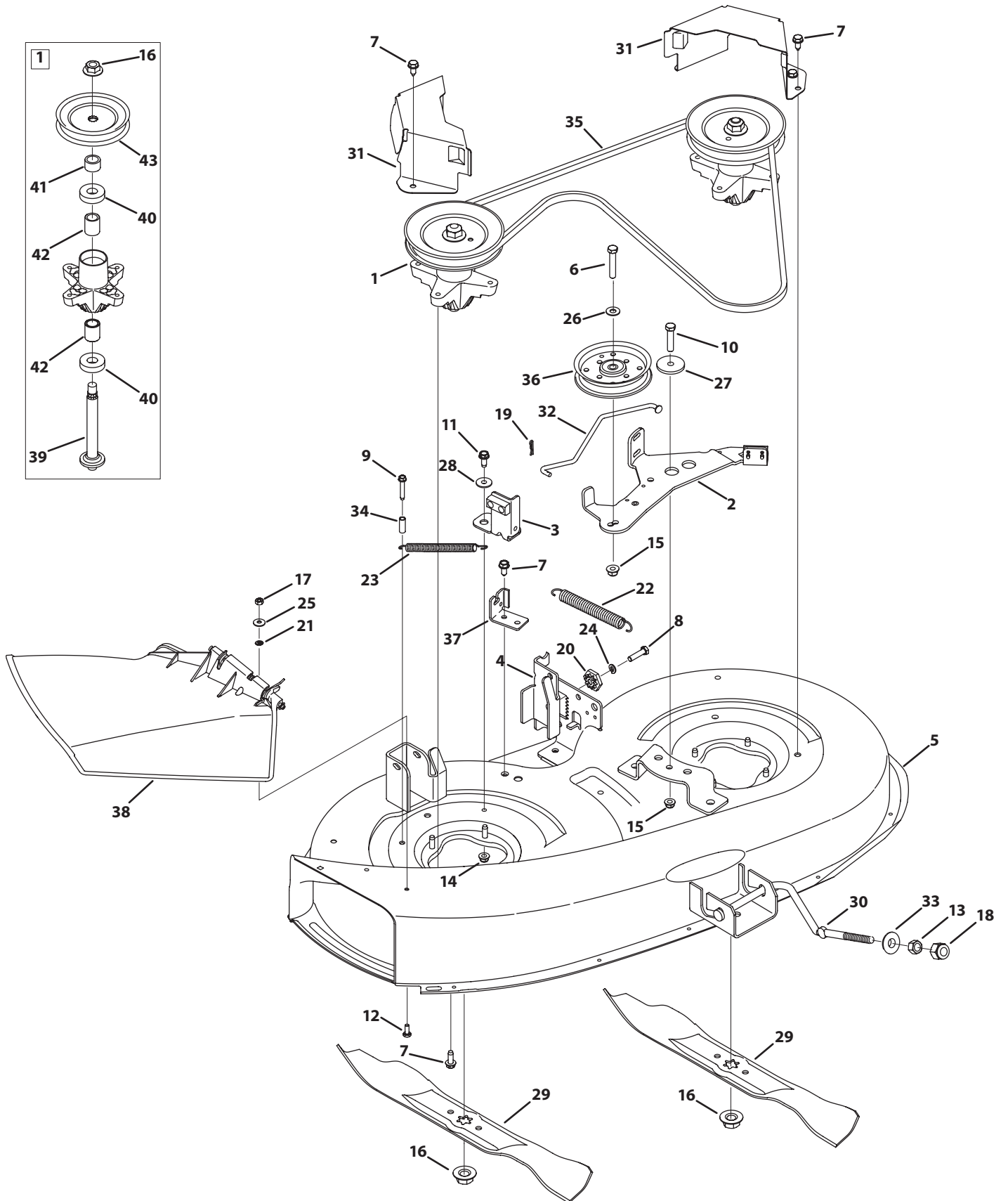


Transmission

Ref.	Part Number	Description	Ref.	Part Number	Description
1	918-04566	Transmission Drive Assembly	33	948-0334	Spacer, T-Axle, 46" Only
2	647-04034C	Pedal Assembly	34	750-0566A	Spacer, .260 x .375 x 1.030 LG
3	647-04035	Shaft Lever Assembly	35	750-0802	Spacer, .640 ID x .76 OD x 2.63
4	710-0227	Screw, 8-18:0.500	36	954-0241A	V Belt, 5L 35.25 POLY
5	710-04484	Screw, 5/16-18 x .750	37	954-04249	V Belt, 5L 70.90 POLY
6	710-0599	Screw, 1/4-20 x 0.500	38	956-04002	V Pulley 7.25 DIA SPUN
7	710-0604A	Screw, 5/16-18 x 0.625	39	783-04536B	Pedal Support Bracket
8	710-0809	Screw, 1/4-20 x 1.250	40	783-04595A	Shaft Adjust Bracket
9	710-1266	Hex Screw, 5/16-18 x .625	41	956-04015A	Variable Speed Pulley Assembly
	710-0176	Hex Screw, 5/16-18 x 2.75	42	683-04176A	Transmission Bracket Assembly
10	710-3008	Hex Screw, 5/16-18 x .75	43	683-04207	Idler Bracket Assembly
11	911-04075A	Ferrule, 3/8-24 X .375 DIA.	44	710-0347	Hex Screw, 3/8-16 x 1.75
12	712-04063	Flangelock Nut, 5/16-18	45	710-1260A	Screw, 5/16-18 x 0.750
13	712-0700	Flange Nut, 9/16-18	46	712-04065	Flangelock Nut, 3/8-16
14	914-0209	Cotter Pin INT- .125 DIA	47	938-0347	Shoulder Spacer, .625 ID x .169
15	714-04040	Bow-Tie Cotter Pin, 72	48	683-04206	Bracket Assembly
16	718-04407	Pulley Hub, 5/8 SPLINE	49	710-0627	Hex Screw, 5/16-24 x .750
17	720-04028	Shift Knob	50	710-0778	Screw, 1/4-20 x 1.500
18	725-0157	Cable Tie	51	718-04261	Bearing Cup
19	725-1644	Short Spring Switch	52	732-0459C	Extension Spring, .94 OD x 6.74 LG
20	726-0214	Push Cap, 5/8	53	736-0362	Flat Washer, .330 x 1.25 x .06:HT
21	926-0320	Plate Insulator Nut	54	941-0600	Ball Bearing, 17 x 40 x 12
22	731-04602	Sleeve, .758 x .821 x 3.3125	55	634-04324	Wheel, 20 x 8 x 8, 38"
23	731-04604	Sleeve, .758 x .821 x 2.4375		634-0104	Wheel, 20 x 8 x 8, 42/46"
24	732-04306	Spring Extension, .80 OD x 3.28 LG	56	736-0242	Bell Washer, .340 x .872 x .060
25	732-04488	Spring Extension, .38 OD x 3.25 LG	57	725-04363	Switch Interlock
26	732-0716D	Spring Extension, .59 OD x 4.00 LG	58	17962	Plate Switch
27	735-0239	Foot Pad, 4.0 LONG	59	738-04237A	Shoulder Screw, #10-32 x .500
28	756-04325	Idler Pulley	60	731-06894	Shift Plate Bearing
29	747-05243	Shift Rod, 46"	61	634-04369	Rim, 8.0 x 7.0 x .750, 38/42/46"
	747-05244	Shift Rod, 38/42"	62	734-0255	Valve, tubeless Air
30	747-05186	Variable Speed Control Rod	63	734-1730	Tire, 20 X 8 X 8 Sq Shldr, 42/46"
31	747-04733A	Brake Rod		734-04240A	Tire, 20 X 8 X 8 Rd Shldr, 38"
32	747-04969	Belt Keeper Rod			

NOTE: Tractor features vary by model. NOT all parts listed above and pictured on the previous page are standard equipment.

38" Deck

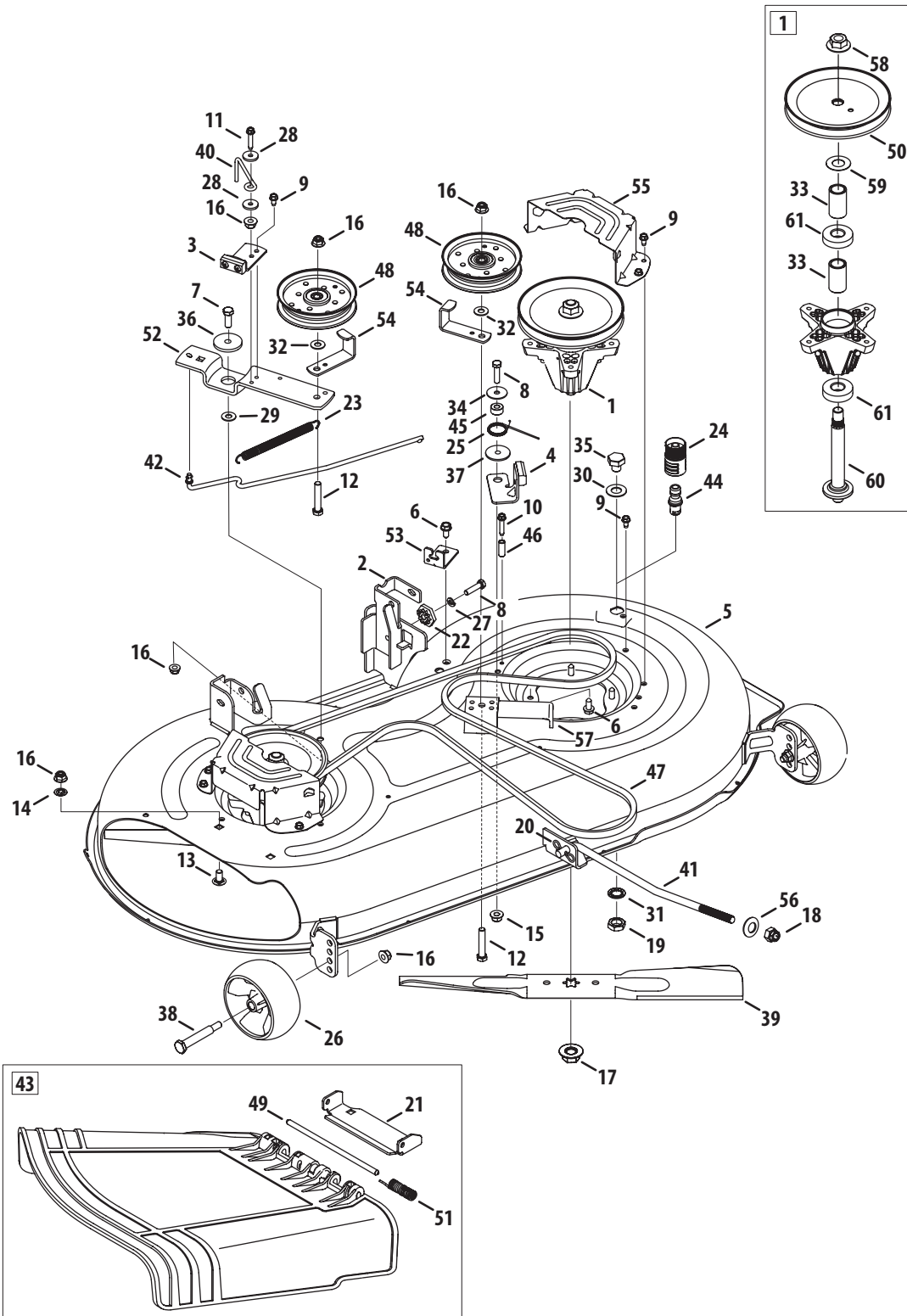


38" Deck

Ref.	Part Number	Description	Ref.	Part Number	Description
1	918-04474A	5.75" Pulley Spindle Assembly	23	732-04287	Extension Spring, .500 x 6.375
2	683-04138B	Deck Brake Assembly	24	936-0119	Lock Washer, 5/16
3	683-04167	Deck Brake Assembly	25	736-0270	Bell Washer, .265 x .75 x .062
4	683-04228	LH Deck Hanger Bracket	26	936-0300	Flat Washer, .406 x .875 x .059
5	983-04263	38" Deck Assembly	27	738-04162A	Shoulder Spacer, .8840 x .190
6	710-0347	Hex Screw, 3/8-16 x 1.75	28	738-04166	Shoulder Spacer, .5000 x .1475
7	710-04484	Screw, 5/16-18 x .750	29	942-0610A	3 in 1 Blade
8	710-0528	Hex Screw, 5/16-18 x 1.25	30	747-04322	38" Front Adjust Deck Rod
9	710-0778	Screw, 1/4-20 x 1.50	31	783-04602A	Belt Cover
10	710-3005	Hex Screw, 3/8-16 x 1.25	32	747-04381	38" Brake Control Rod
11	710-3008	Hex Screw, 5/16-18 x .75	33	748-04069	Deck Lift, Pivot Cup
12	710-3015	Hex Screw, 1/4-20 x .75	34	750-0566A	Spacer, .260 x .375 x 1.030
13	912-0206	Hex Nut, 1/2-13	35	954-04062	V Type Belt
14	712-04063	Flangelock Nut, 5/16-18	36	756-04129B	Idler Pulley
15	712-04065	Flangelock Nut, 3/8-16	37	783-04740	Deck Engage Cable Bracket
16	712-0417A	Flange Nut, 5/8-18	38	631-0216A	Chute Assembly
17	712-3006	Hex Nut, 1/4-20		931-1032B	Chute Assembly
18	712-3083	Hexlock Nut, 1/2-13	39	938-04241	Spindle Shaft, 5.50
19	914-0104	Cotter Pin, .072 Diameter	40	941-0919	Ball Bearing, .787ID x 1.85 OD x .551
20	917-04074	Deck Adjuster Gear	41	750-04739	Spacer, .820 x 1.150 x .480 LG
21	726-0233	Push Nut, .25 x .50	42	750-1000	Spacer, .80 x 1.10 x 1.322 LG
22	732-04280B	Extension Spring, .75 x 6.375	43	756-1188	Deck Pulley, 5.75

NOTE: Tractor features vary by model. NOT all parts listed above and pictured on the previous page are standard equipment.

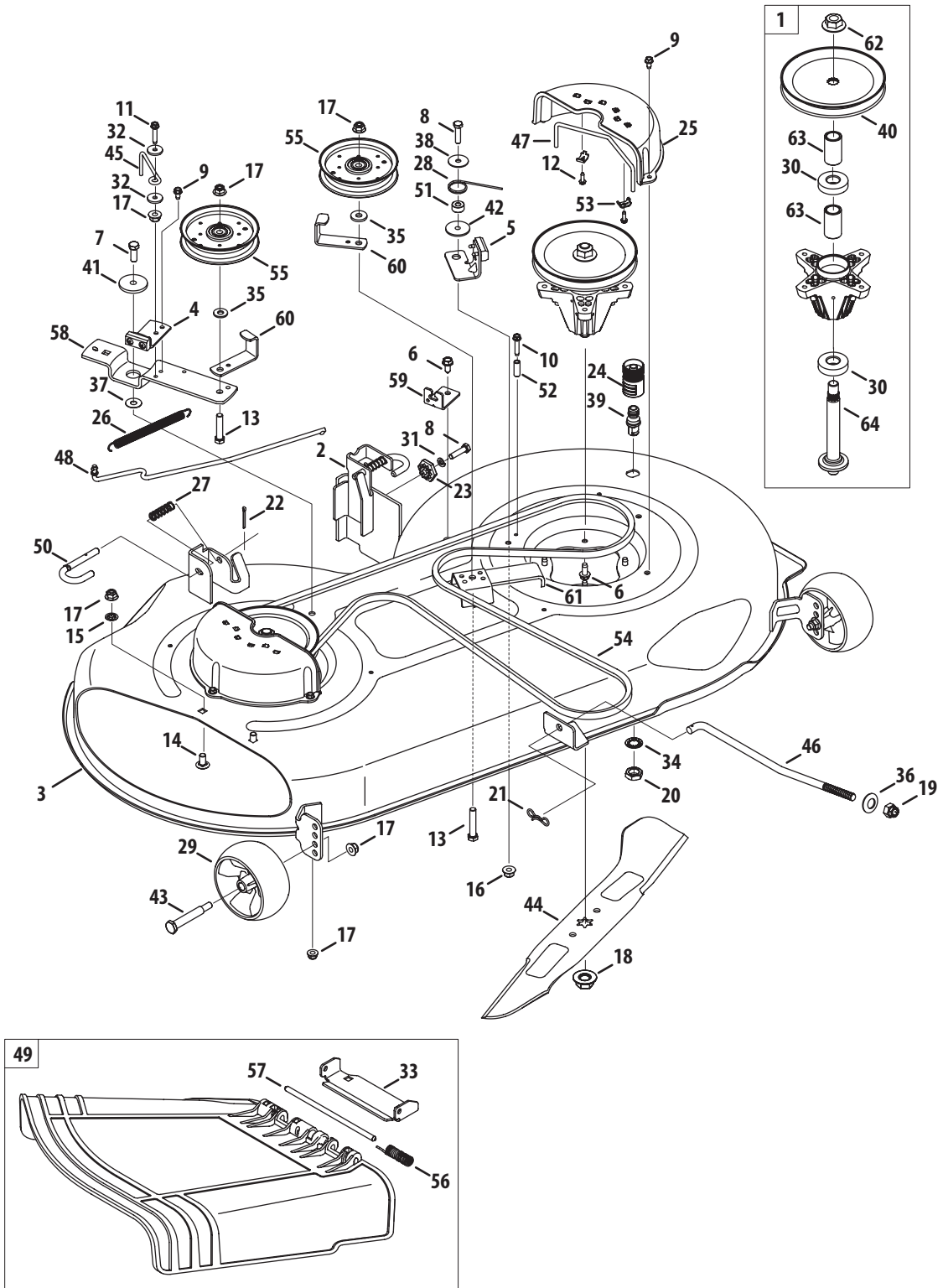
42" Deck



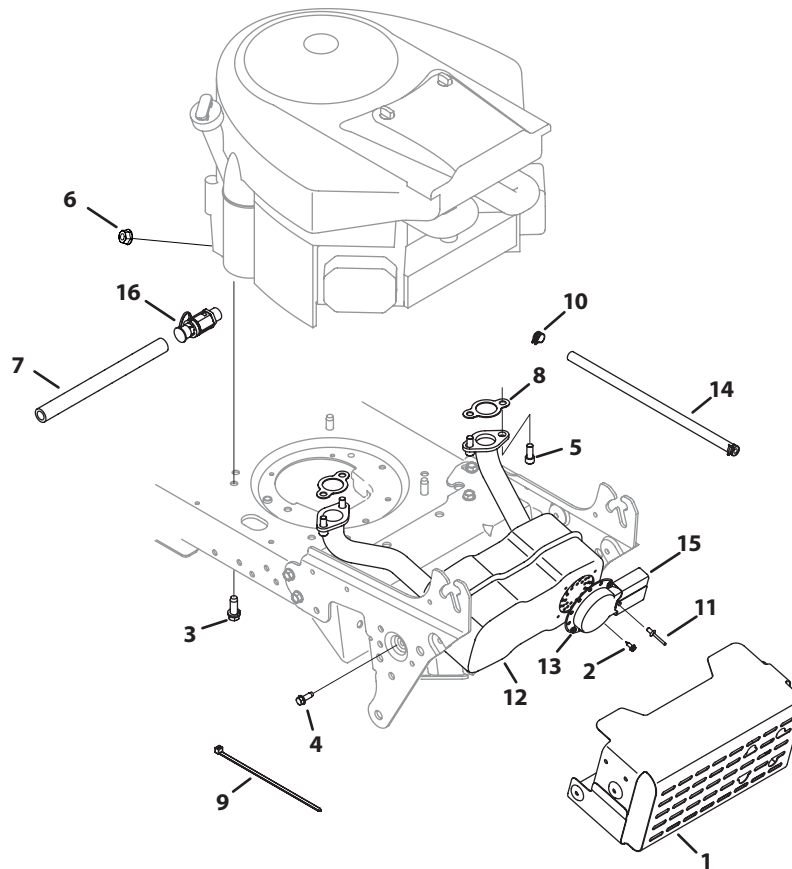
Ref.	Part Number	Description	Ref.	Part Number	Description
1.	918-04822A	Spdl Asm, Pul, 6.3 Dia	31.	736-0225	Wash, Lock, 5/8, Int Tooth
2.	683-0254B-4008	Brkt Asm, Deck, Hngr Lh Lt	32.	736-0262	Wash, Flat, .385 X .870 X .092
3.	983-04511	Brake Asm, Deck, 42/46	33.	750-04936	Spcr, .792 X 1.060 X 1.860 Lg
4.	983-04525	Brake Asm, Deck, 46"	34.	736-0362	Wash, Flat, .330 X 1.25 X .06, Ht
5.	983-04570-4008	Deck Asm, Sd, Offset, 42 W/O whl	35.	738-04146	Plug, Bolt, M16 X 1.5
	983-04572-4008	Deck Asm, Sd, Offset, 42 W/ 2whl	36.	738-04162A	Spcr, Shldr, .8840 X .190
6.	710-04484	Scr, Tt, 5/16-18, .750, Hxindwsh	37.	738-04166	Spcr, Shldr, .5000 X .1475
7.	710-0514	Hhcs, 3/8-16, 1.00, Gr5, Std	38.	938-3056	Bolt, Shldr, .496 X 2.50, 3/8-16
8.	710-0528	Hhcs, 5/16-18, 1.25, Gr5, Std	39.	942-04308	Blade, Cut, 21.23" 2-In-1, Econ
9.	710-0599	Scr, Tt, 1/4-20, 0.500, Hxindwsh	40.	747-04530	Rod, Keepr, Belt 42 Idler
10.	710-0778	Scr, Tt, 1/4-20, 1.500, Hxindwsh	41.	747-04944B	Rod, Lift, Deck, Frt, 13.7
11.	710-0809	Scr, Tt, 1/4-20, 1.250, Hxindwsh	42.	747-05105	Rod, Cont, Brake 42"
12.	710-3144	Hhcs, 3/8-16, 2.00, Gr5, Std	43.	631-04460	Chut Asm, 42" Deck, Exp
13.	710-3178	Bolt, Crg, 3/8-16, 0.75, Gr1	44.	737-04003D	Deck Water Nozzle
14.	712-0229	Nut, Push, 3/8	45.	750-0258	Spcr, .315 X .750 X .375 Lg
15.	712-04063	Nut, Flglk, 5/16-18, Grf, Nylon	46.	750-0566A	Spcr, .260 X .375 X 1.030 Lg
16.	712-04065	Nut, Flglk, 3/8-16, Grf, Nylon	47.	954-04060B	Belt, V Typ, A Sec X 96.5
17.	712-0417A	Nut, Flg, 5/8-18	48.	756-04129B	Pul, Idlr, 4.25" Dia
18.	712-04243	Nut, Flxlk, 1/2-13	49.	711-04847A	Pin, Hinge, Dia .3125 X 7.96 Lg
19.	912-0641	Nut, Hex, M16-1.5 Din 936	50.	956-1227	Pul, Deck, 6.3 Dia
20.	714-04043	Bow-Tie Cotter Pin	51.	732-04372	Spr, Torsion, .44 I.D. X 2.0
21.	783-06074A	Chute Bracket	52.	783-05946	Brkt, Idlr, Piv, 46
22.	917-04074	Gear, Deck, Adj	53.	783-06243	Brkt, Cbl, Deck Engage
23.	932-0384	Spr, Extn, .62 Dia X 6.12 Lg	54.	783-06368	Brkt, Guard, Belt, 4.25 Pulley
24.	921-04041	Water Nozzle Adapter	55.	783-06424A	Cvr, Belt, Deck, 42
25.	732-04727	Spr, Torsn, .992 I.D X 1.17 O.D	56.	748-04069	Deck Lift Pivot Cup
26.	734-04155	Whl, Deck, 5.0 Dia Ball	57.	783-06643	Brkt, Supt, Deck Stationary Idlr
27.	936-0119	Wash, Lock, 5/16, Regular Duty	58.	712-0417A	Nut, Flg, 5/8-18
28.	936-0176	Wash, Flat, .265 X .938 X .120	59.	936-0351	Wash, Flat, .760 ldx1.50 Od
29.	936-0344	Wash, Flat, .385 X 1.0 X .030	60.	738-1186A	Shft, Spdl, 6.11 Lg.
30.	736-0187	Wash, Flat, .64 X 1.24 X .06, Ht	61.	941-0919	Brg, Ball, .787id X 1.85 Odx.551

NOTE: Tractor features vary by model. NOT all parts listed above and pictured on the previous page are standard equipment.

46" Deck

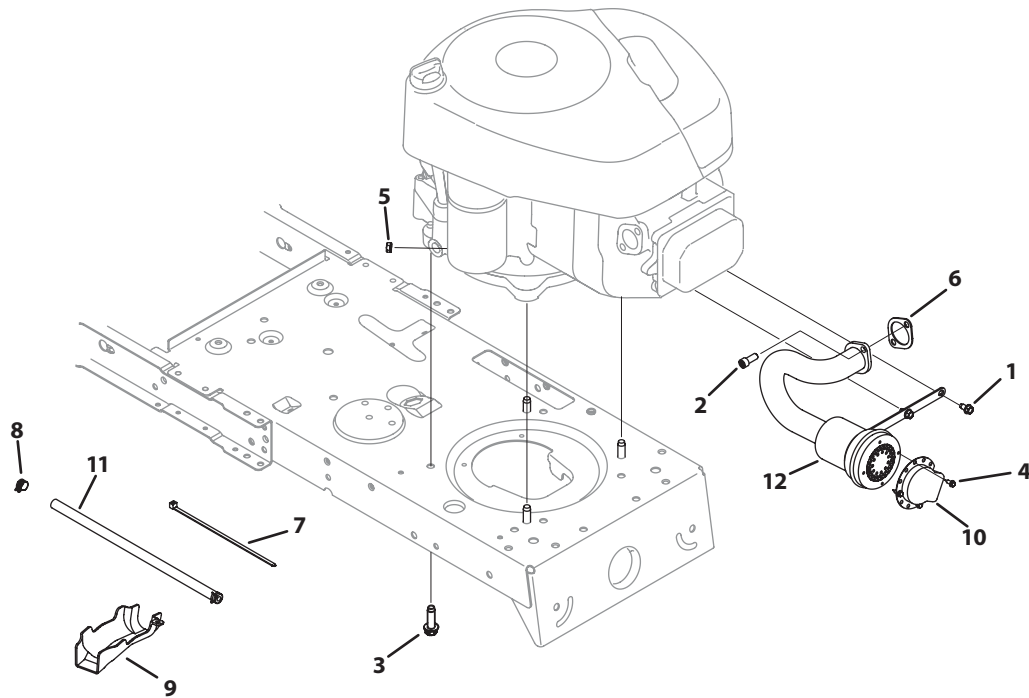


Ref.	Part Number	Description	Ref.	Part Number	Description
1.	918-04636A	Spindle Assembly, Pul 6.93 Dia	33.	783-06074	Bracket, Chute, 46
2.	683-0254B	Bracket Assembly, Deck Hanger, LH	34.	736-0225	Washer, Lock, 5/8, Int Tooth
3.	683-04578	Deck Assembly, Offset, 46"	35.	736-0262	Washer, Flat, .385 x .870 x .092
4.	983-04511	Brake Assembly, Deck, 42/46	36.	748-04069	Deck Pivot Cup
5.	983-04525	Brake Assembly, Deck, 46"	37.	936-0344	Washer, Flat, .385 x 1.0 x .030
6.	710-04484	Screw, Self-tapping, 5/16-18, .750,	38.	736-0362	Washer, Flat, .330 x 1.25 x .06, Ht
7.	710-0514	Hex Screw, 3/8-16, 1.00, Gr5, Std	39.	737-04003D	Deck Port, Water
8.	710-0528	Hex Screw, 5/16-18, 1.25, Gr5, Std	40.	756-04356	Pulley, Deck, 6.93 Dia
9.	710-0599	Screw, Self-tapping, 1/4-20, 0.500	41.	738-04162A	Spacer, Shoulder, .8840 x .190
10.	710-0778	Screw, Self-tapping, 1/4-20, 1.500	42.	738-04166	Spacer, Shoulder, .5000 x .1475
11.	710-0809	Screw, Self-tapping, 1/4-20, 1.250	43.	938-3056	Bolt, Shoulder, .496 x 2.50, 3/8-16
12.	710-1003	Screw, B, #10-16, 0.625	44.	942-04290	Blade, Cut, 23.25" 2-In-1
13.	710-3144	Hex Screw, 3/8-16, 2.00, Gr5, Std	45.	747-04530	Rod, Belt Keeper, 42 Idler
14.	710-3178	Bolt, Carriage, 3/8-16, 0.75, Gr1	46.	747-05141A	Rod, Lift, Deck
15.	712-0229	Nut, Push, 3/8	47.	747-05011	Rod, Keeper, Belt
16.	712-04063	Nut, Flange Lock, 5/16-18, Nylon	48.	747-05052	Rod, Control, Brake 46"
17.	712-04065	Nut, Flange Lock, 3/8-16, Nylon	49.	631-04288	Chute Assembly, 46" Offset Cub
18.	712-0417A	Nut, Flange, 5/8-18	50.	747-1116	Rod, Deck Release
19.	712-04243	Nut, Lock, 1/2-13	51.	750-0258	Spacer, .315 x .750 x .375
20.	912-0641	Nut, Hex, M16-1.5	52.	750-0566A	Spacer, .260 x .375 x 1.030
21.	714-04043	Bow Tie Cotter Pin	53.	751B221535	Clamp, Casing
22.	914-0470	Pin, Cotter, 1/8 x 1.25	54.	954-04219	Belt, V-Type, A-Sec
23.	917-04074	Gear, Deck Adjustment	55.	756-04129B	Pulley, Idler, 4.25"Dia
24.	921-04041	Adapter, Water Port	56.	732-04372	Spring, Torsion, .44 I.D. x 2.0
25.	731-06496	Belt Cover, Universal	57.	711-04847A	Pin, Hinge, 7.96
26.	932-0384	Spring, Extension, .62 x 6.12	58.	783-05946	Bracket, Idler, Pivot, 46
27.	732-04652	Spring, Compression, .535 x 1.751	59.	783-06243	Bracket, Cable, Deck Engagement
28.	732-04727	Spring, Torsion, .992 ID x 1.17 OD	60.	783-06368	Bracket, Guard, Belt, 4.25 Pulley
29.	734-04155	Wheel, Deck, 5.0 Dia Ball	61.	783-06643	Bracket, Support, Deck Idler
30.	941-0919	Bearing, Ball, .787 x 1.85 x .551	62.	712-0417A	Nut, Flange, 5/8-18
31.	936-0119	Washer, Lock, 5/16, Regular Duty	63.	750-04936	Spacer, .792 x 1.060 x 1.860 Lg
32.	936-0176	Washer, Flat, .265 x .938 x .120	64.	738-1186A	Shaft, Spindle, 6.11 Lg.



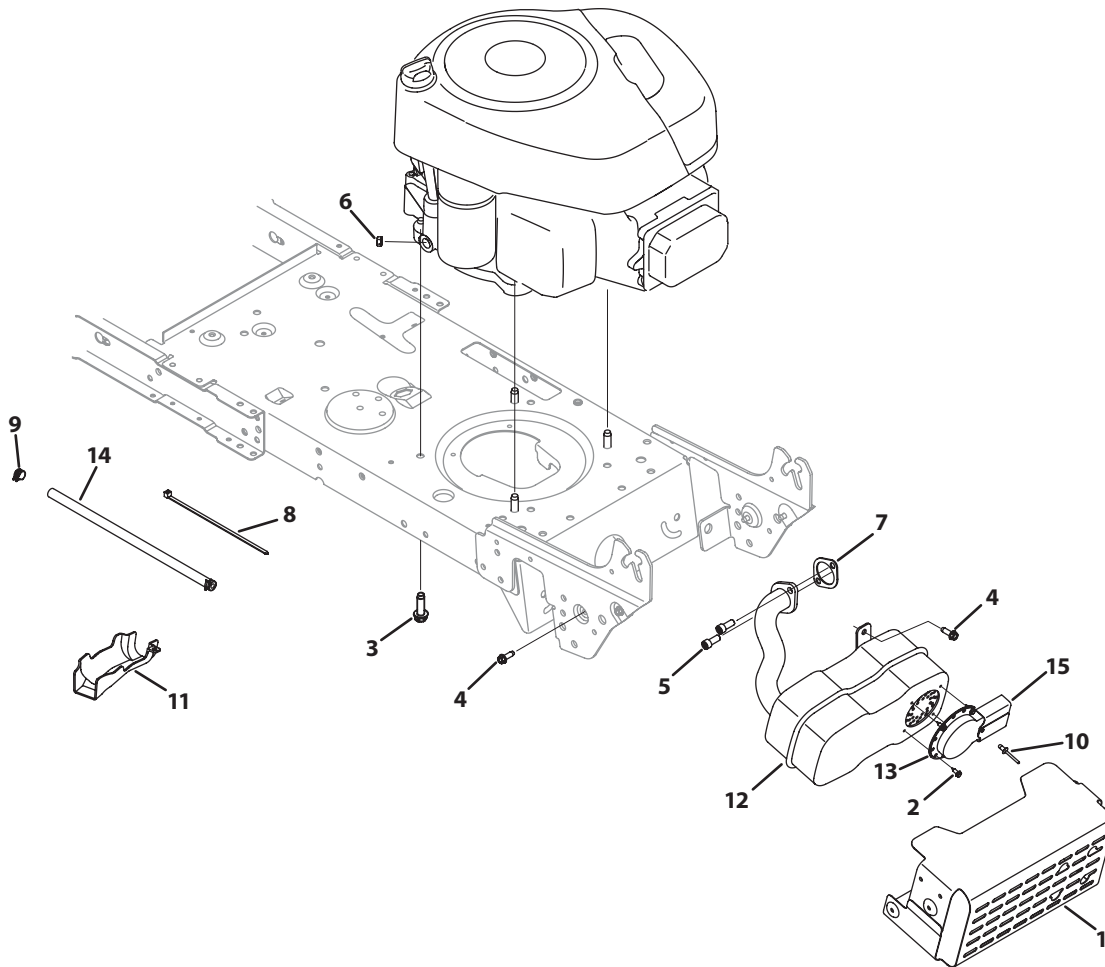
Ref.	Part Number	Description
1	683-04549	Muffler Shield Assembly with Weld
2	710-0227	Screw, 8-18 x .500
3	710-04683	Screw, 3/8-16 x 1.0
4	710-0642	Screw, 1/4-20 x .750
5	710-1314A	Socket Screw, 5/16-18 x .750
6	712-0271	Sems Nut, 1/4-20
7	751-3141-14	Extension Hose, Oil Drain
8	721-0460	Twin Intek, Exhaust Gasket
9	725-0157	Cable Tie
10	726-0205	Clamp Hose, .490 diameter
11	728-04000	Rivet, .188 x .300
12	751-10542	Briggs Intek, Twin Muffler
13	751-0564B	Muffler Deflector
14	751-10349-28	Fuel Hose, Low Permeation
15	751-10353	Muffler Deflector Long
16	951-10517A	Oil Drain

NOTE: Tractor features vary by model. NOT all parts listed and pictured above are standard equipment.



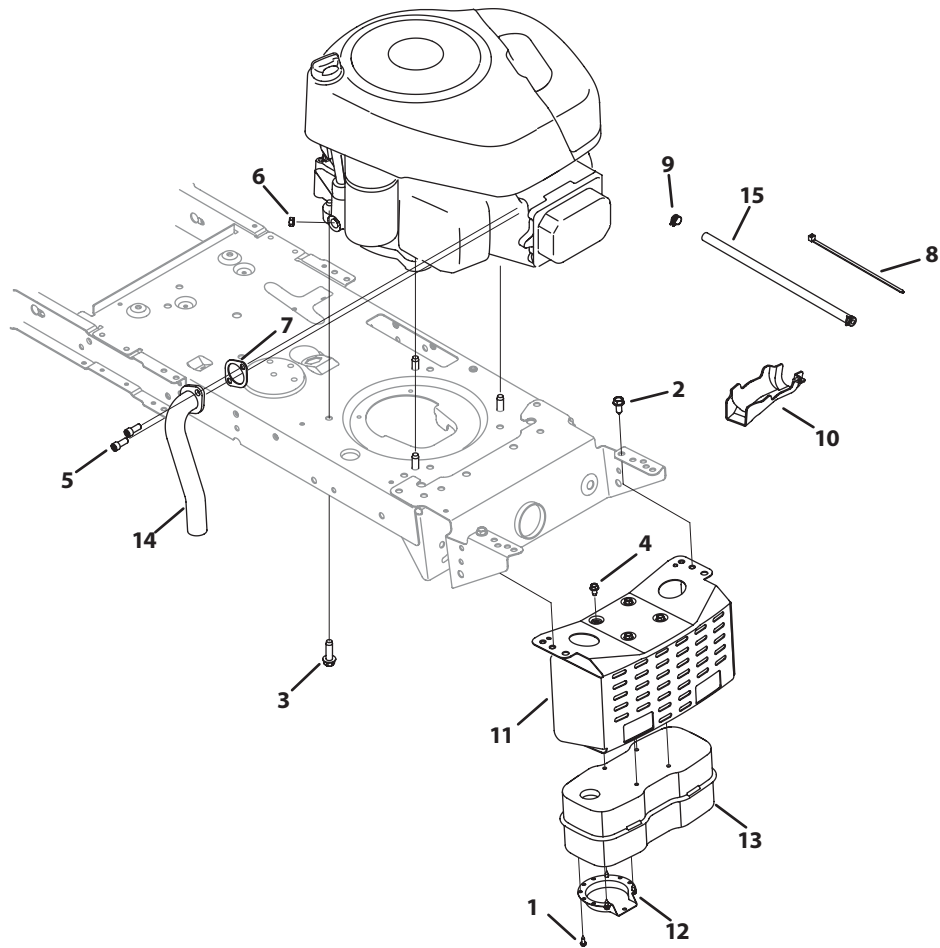
Ref.	Part Number	Description
1	710-0599	Screw, 1/4-20 x .500
2	710-1314A	Socket Screw, 5/16-18 x .750
3	710-04683	Screw, 3/8-16 x 1.0
4	710-0227	Screw, 8-18 x .500
5	712-0271	Sems Nut, 1/4-20
6	BS-692236	Exhaust Gasket, 10 HP Briggs
7	725-0157	Cable Tie
8	726-0205	Clamp Hose, .490 diameter
9	731-05628	Oil Drain Sleeve
10	751B222261	Muffler Deflector
11	751-10349-28	Fuel Hose, Low Permeation
12	751-9986A	Muffler

NOTE: Tractor features vary by model. NOT all parts listed and pictured above are standard equipment.



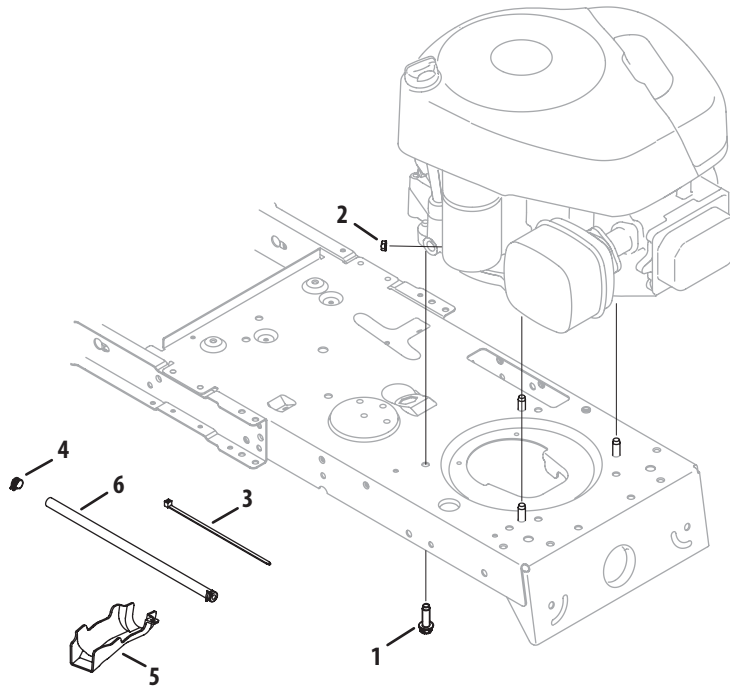
Ref.	Part Number	Description
1	683-04549	Muffler Shield Assembly with Weld
2	710-0227	Screw, 8-18 x .500
3	710-04683	Screw, 3/8-16 x 1.0
4	710-0642	Screw, 1/4-20 x .750
5	710-1314A	Socket Screw, 5/16-18 x .750
6	712-0271	Sems Nut, 1/4-20
7	BS-692236	Exhaust Gasket, 10 HP Briggs
8	725-0157	Cable Tie
9	726-0205	Clamp Hose, .490 diameter
10	728-04000	Rivet, .188 x .300
11	731-05628	Oil Drain Sleeve
12	751-10448A	Muffler, Single Inlet
13	751-0564B	Muffler Deflector
14	751-10349-28	Fuel Hose, Low Permeation
15	751-10353	Muffler Deflector Long

NOTE: Tractor features vary by model. NOT all parts listed and pictured above are standard equipment.



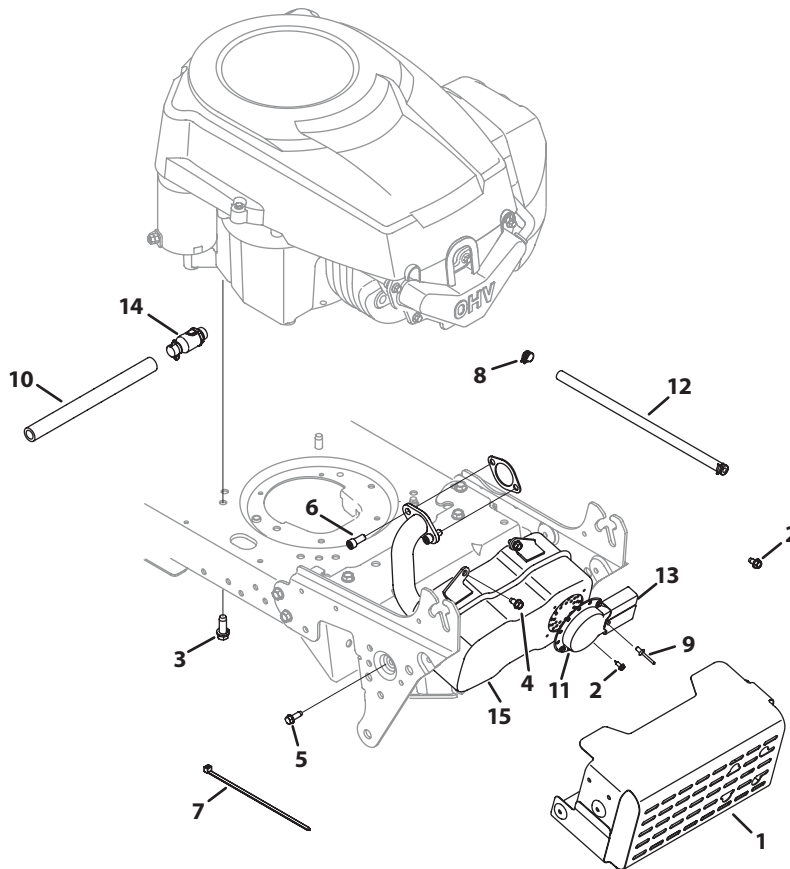
Ref.	Part Number	Description
1	710-0227	Screw, 8-18 x .500
2	710-04484	Screw, 5/16-18 x .750
3	710-04683	Screw, 3/8-16 x 1.000
4	710-0599	Screw, 1/4-20 x .500
5	710-1214	Socket Screw, 5/16-18 x .750
6	712-0271	Sems Nut, 1/4-20
7	BS-692236	Exhaust Gasket, 10 HP Briggs
8	725-0157	Cable Tie
9	726-0205	Hose Clamp, .490 Diameter
10	731-05628	Oil Drain Sleeve
11	783-0615E	Muffler Bracket
12	751-0564B	Muffler Deflector
13	751-0617C	Single Inlet Muffler
14	751-0619A	Exhaust Pipe, Single Briggs
15	751-10349-28	Fuel Hose, Low Permeation

NOTE: Tractor features vary by model. NOT all parts listed and pictured above are standard equipment.



Ref.	Part Number	Description
1	710-04683	Screw, 3/8-16 x 1.0
2	712-0271	Sems Nut, 1/4-20
3	725-0157	Cable Tie
4	726-0205	Clamp Hose, .490 diameter
5	731-05628	Oil Drain Sleeve
6	751-10349	Fuel Hose, Low Permeation

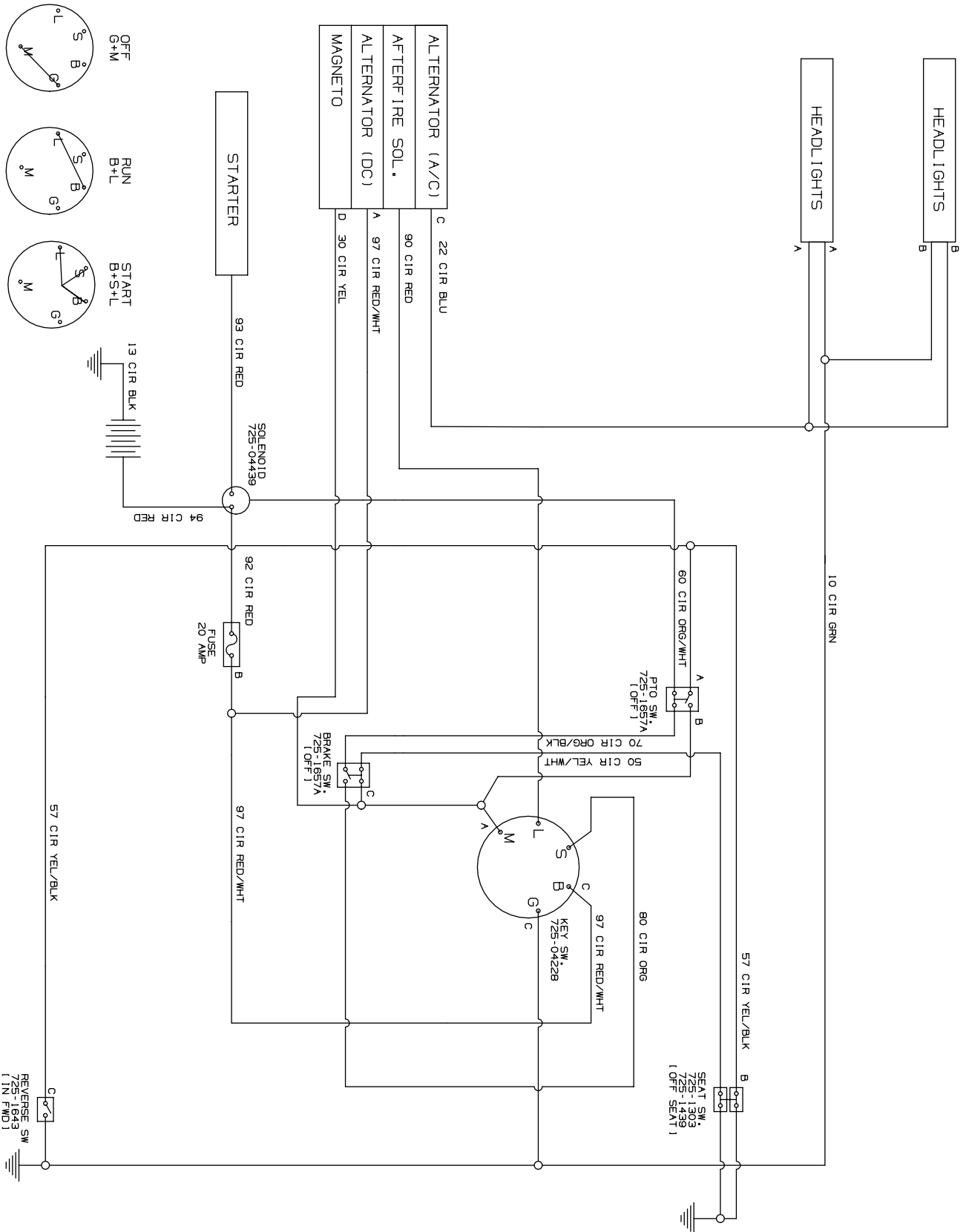
NOTE: Tractor features vary by model. NOT all parts listed and pictured above are standard equipment.



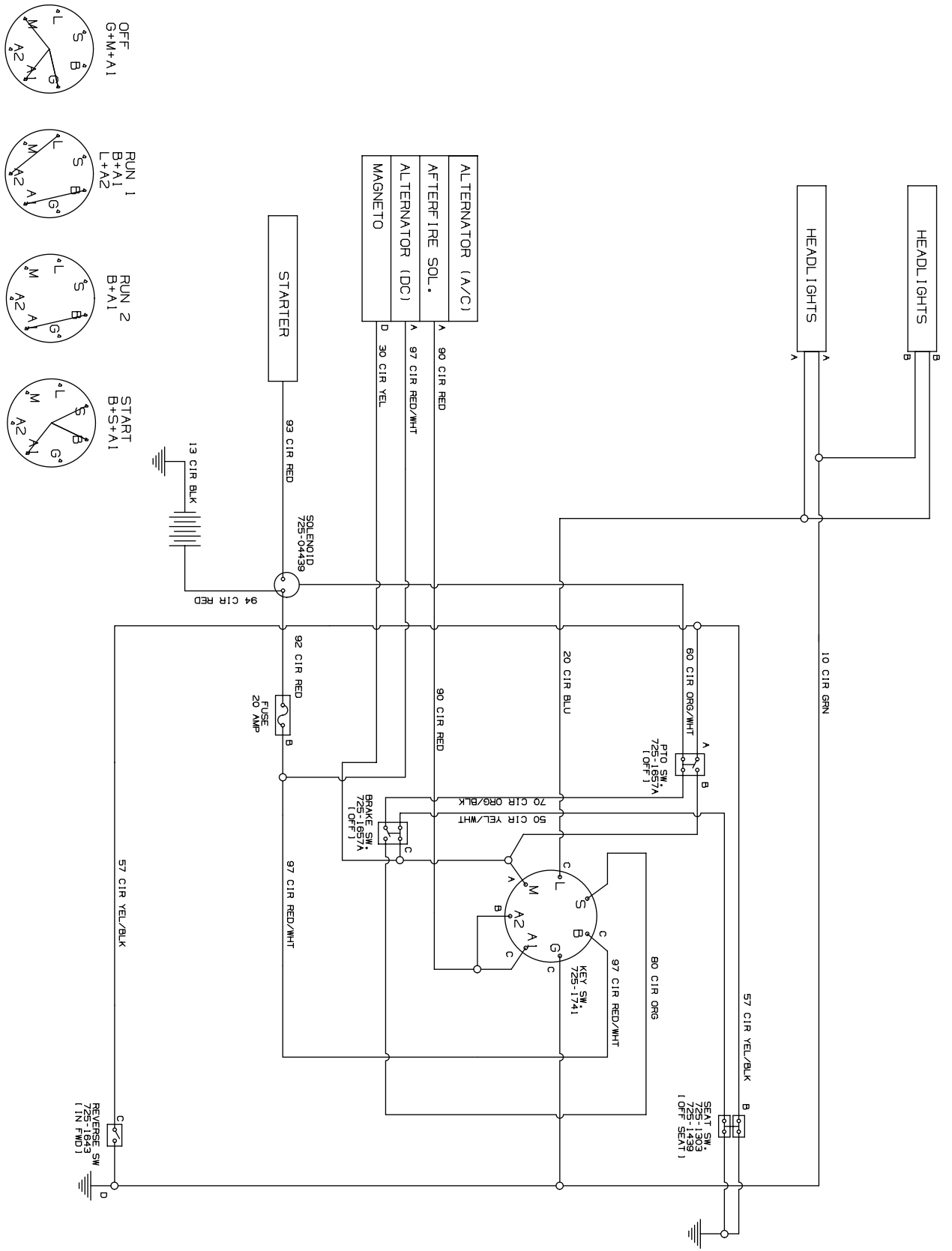
Ref.	Part Number	Description
1	683-04549	Muffler Shield Assembly with Weld
2	710-0227	Screw, 8-18 x .500
3	710-04683	Screw, 3/8-16 x 1.0
4	710-0599	Screw, 1/4-20 x .500
5	710-0642	Screw, 1/4-20 x .750
6	710-1314A	Socket Screw, 5/16-18 x .750
7	725-0157	Cable Tie
8	726-0205	Clamp Hose, .490 diameter
9	728-04000	Rivet, .188 x .300
10	751-3141-14	Oil Drain, Extension Hose
11	751-0564B	Muffler Deflector
12	751-10349-28	Fuel Hose, Low Permeation
13	751-10353	Muffler Deflector Long
14	951-10517A	Oil Drain
15	751-11022A	Muffler

NOTE: Tractor features vary by model. NOT all parts listed and pictured above are standard equipment.

Wiring Harness Schematic - 725-04567D



Wiring Harness Schematic - 725-04481





To order replacement parts or locate your nearest service dealer call a Customer Support at (800) 800-7310.
or visit www.mtdproducts.com to find the nearest authorized dealer in your area.

MTD LLC, P.O. BOX 361131 CLEVELAND, OHIO 44136-0019
