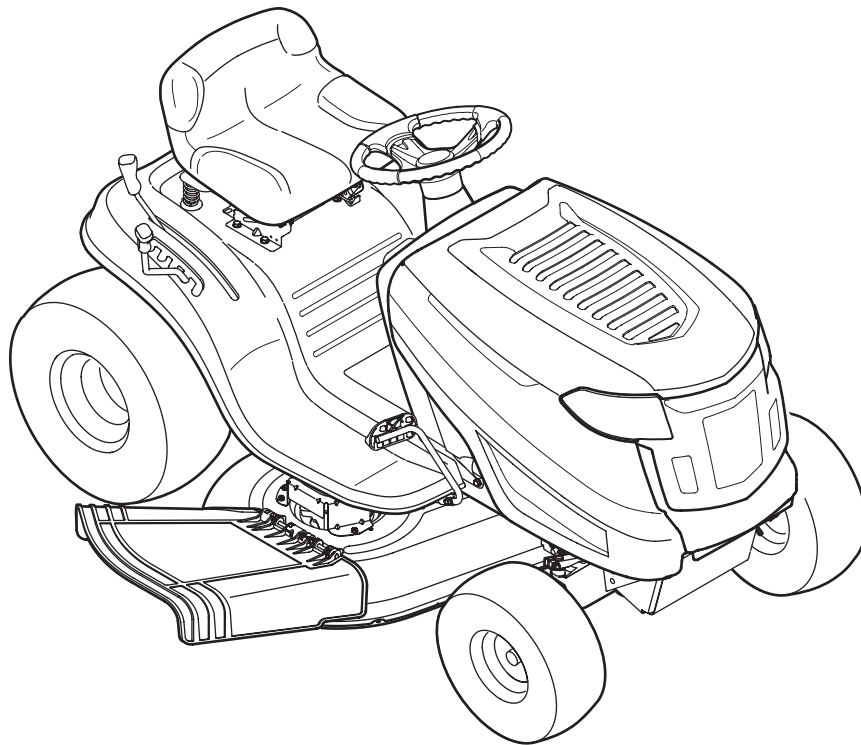




# ILLUSTRATED PARTS MANUAL



## Transmatic Lawn Tractor — Bronco

---

TROY-BILT LLC, P.O. BOX 361131 CLEVELAND, OHIO 44136-0019

---

# To The Owner

Thank you for purchasing an MTD lawn tractor. It was carefully engineered to provide excellent performance when properly operated and maintained.

All information in this manual is relative to the most recent product information available at the time of printing. Please be aware that this Illustrated Part's Manual may cover a range of product specifications for various models.

Components listed and/or illustrated in this manual may not be applicable to all models. We reserve the right to change product specifications, designs and equipment without notice and without incurring obligation.

Throughout this manual, all references to *right* (RH) and *left* (LH) are observed from the operating position.

## Table of Contents

<b>Axle, Front</b> .....	<b>8</b>	<b>Hood</b> .....	<b>4</b>
<b>Battery</b> .....	<b>6</b>	<b>Deck Lift Handle/Linkage</b> .....	<b>6</b>
<b>Head Lamps</b> .....	<b>4</b>	<b>Muffler</b> .....	<b>16</b>
<b>Mower Deck, 42-inch</b> .....	<b>14</b>	<b>PTO Lever</b> .....	<b>6</b>
<b>Pedal Controls</b> .....	<b>12</b>	<b>Seat</b> .....	<b>10</b>
<b>Dash Panel</b> .....	<b>4</b>	<b>Steering Wheel</b> .....	<b>8</b>
<b>Drive System</b> .....	<b>12</b>	<b>Switches, Interlock</b> .....	<b>6</b>
<b>Electrical Schematic</b> .....	<b>17</b>	<b>Throttle Control</b> .....	<b>4</b>
<b>Engine Accessories</b> .....	<b>16</b>	<b>Transmission</b> .....	<b>12</b>
<b>Fender</b> .....	<b>10</b>	<b>Wheels, Front</b> .....	<b>8</b>
<b>Frame</b> .....	<b>6</b>	<b>Wheels, Rear</b> .....	<b>12</b>
<b>Fuel Tank</b> .....	<b>4</b>	<b>Wiring Harness Schematic</b> .....	<b>17</b>

## Record Product Information

To ease in ordering replacement parts, please locate the model plate on the equipment and record the information in the provided area to the right. You can locate the model plate by looking beneath the seat.

### MODEL NUMBER

--	--	--	--	--	--	--	--	--	--	--

### SERIAL NUMBER

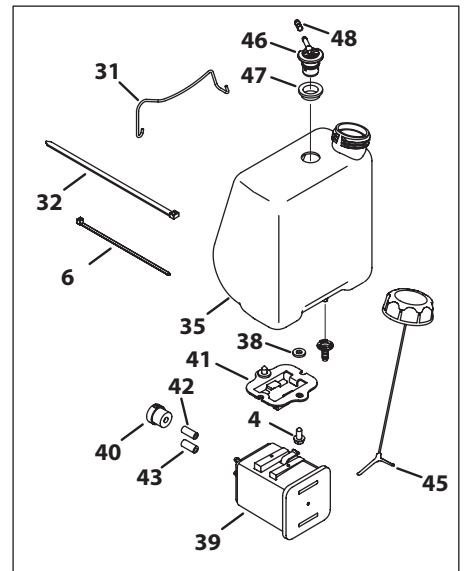
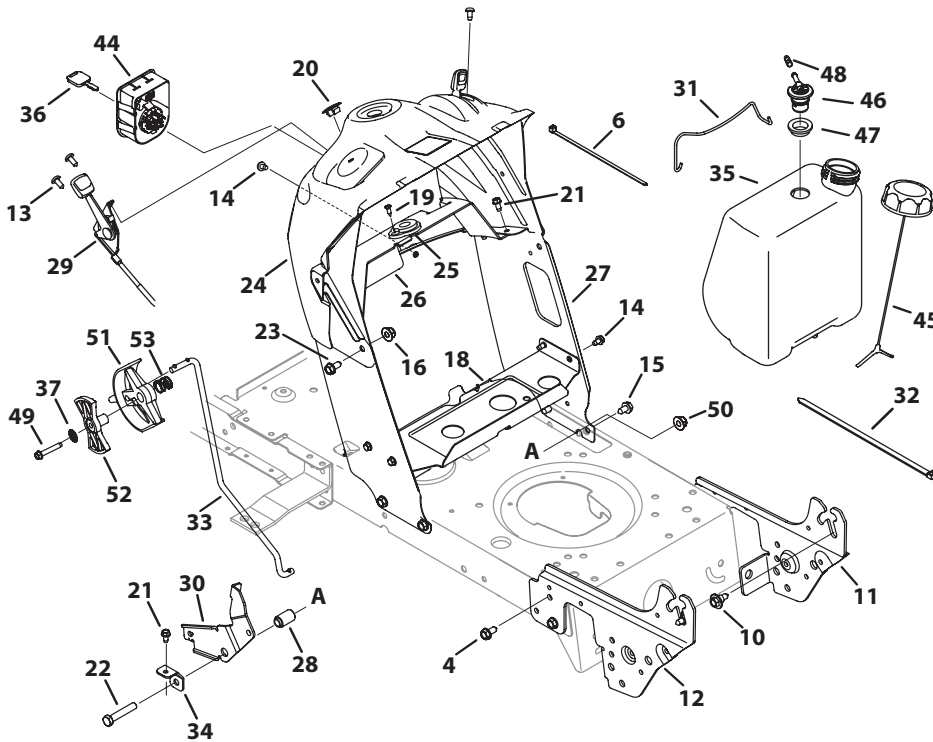
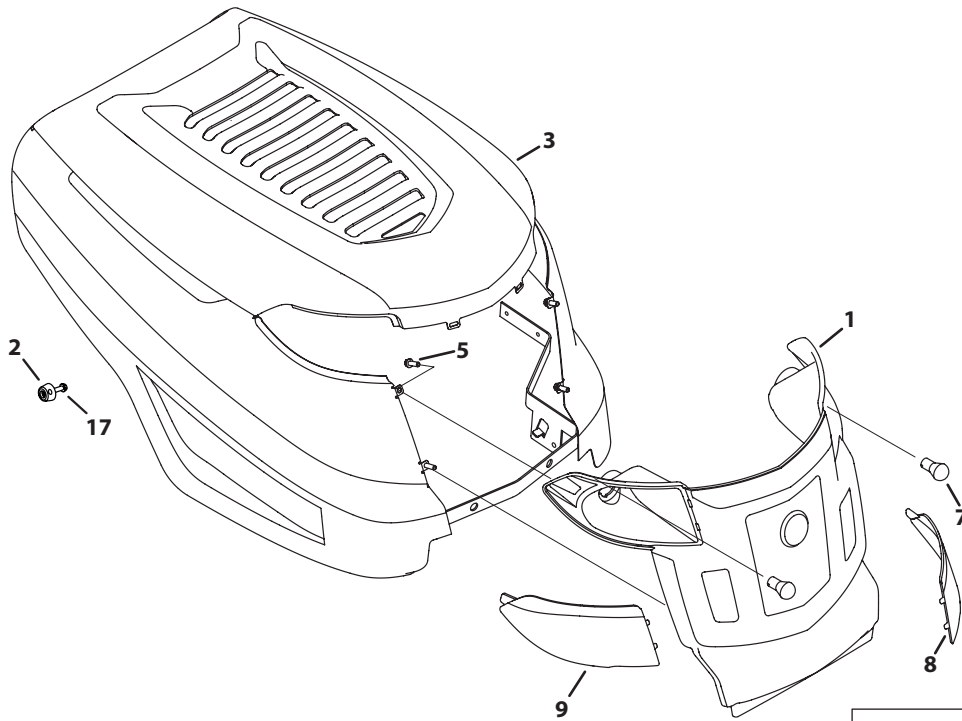
--	--	--	--	--	--	--	--	--	--	--

0637	Black
0709	Dark Green (Bolens, Yard-Man)
0662	Oyster Gray (MTD Gold)
0638	Red (Yard Machines, Huskee, Troy-Bilt, MTD)
0691	Black Jack (MTD Gold, MasterCut)

0674	Yellow (Yard-Man)
0650	Metallic Red (White Outdoor)
0629	Silver Flake (MTD Platinum)
04038	Day Orange (Daedong)
04033	Flint Mica (Troy-Bilt XP)



# K Style Hood



## K Style Hood

Ref. No.	Part No.	Description	Ref. No.	Part No.	Description
1	631-04272	Grill Assembly, Troy-Bilt	29	746-04367	Throttle/Choke Cable
2	731-06404	K-Style Bumper	30	783-06991	Speed Latch - No RMC
3	683-04441A	Hood Assembly	31	683-04448	Battery Assembly Rod
4	710-04484	Screw, 5/16-18 x .750	32	726-0230	Cable Tie
5	710-0895	Screw, 1/4-15 x .750	33	747-05398	Speed Control Rod
6	725-0157	Cable Tie	34	783-06823	Speed Latch Tab
7	925-0963	Lamp	35	951-04304	1.36 Gallon Fuel Tank
8	731-06095	Left Lens	36	625-05002	Key, Assembly
9	731-06096	Right Lens	37	736-3006	Lock Washer, 1/4
10	738-04091A	Shoulder Screw, 5/16-18 x .43 x .29	38	936-3008††	Flat Washer, .344 x .750 x .120
11	783-05327B	Left Support Pivot Bracket	39	951-10589††	5 Gallon Carbon Canister
12	783-05328A	Right Support Pivot Bracket	40	951-10590††	Vent Filter Canister
13	710-04483	Screw, 1/4-20 x .500	41	951-10610 ††	Canister Adapter Bracket
14	710-05070	Screw, 1/4-20 x .500	42	751-10749-30††	Fuel Hose, White
15	710-0604A	Screw, 5/16-18 x .625	43	751-10750-28††	Fuel Hose, Yellow
16	712-04063	Flangelock Nut, 5/16-18	44	925-04659	3 Position Key Switch
17	710-05281	Screw, #12-16 x 1.25	45	951-12179A	Fuel Cap, 2.25"
18	783-07083	Gas Tank Support Bracket		951-12426	Fuel Cap, 2.25" EPA
19	910-0224	Screw, #10-16 x .500	46	751-12118	Rollover Valve
20	731-05265	Choke Plug	47	735-04081	Rubber Grommet, 23 x 3.55
21	710-1652	Tap Screw, 1/4-20, 0.625	48	751-12089-28	Hose Vent, 3/16 EPA
22	710-3144	Hex Screw, 3/8-16 x 2.0	49	710-0778	Hex Washer Screw, 1/4-20 x 1.50
23	710-3025	Hex Screw, 5/16-18 x .625	50	712-04065	Flangelock Nut, 3/8-16
24	931-08054	Dash, Upper	51	731-07885B	Shift Lever
25	741-0587	Bearing, .628 ID x 1.36	52	731-07966A	Index Control
26	783-06785A	Bracket, Steering Support	53	732-04877	Compr. Spring, .72 OD x .78
27	783-06811	Dash, Lower	—	925-04567G	Harness, LT-5, NRMCC, Dual
28	750-04465B	Flange Spacer, .390 x .671 x 1.095			

†† Equipped with CARB Fuel Tank



## Frame and PTO Lift

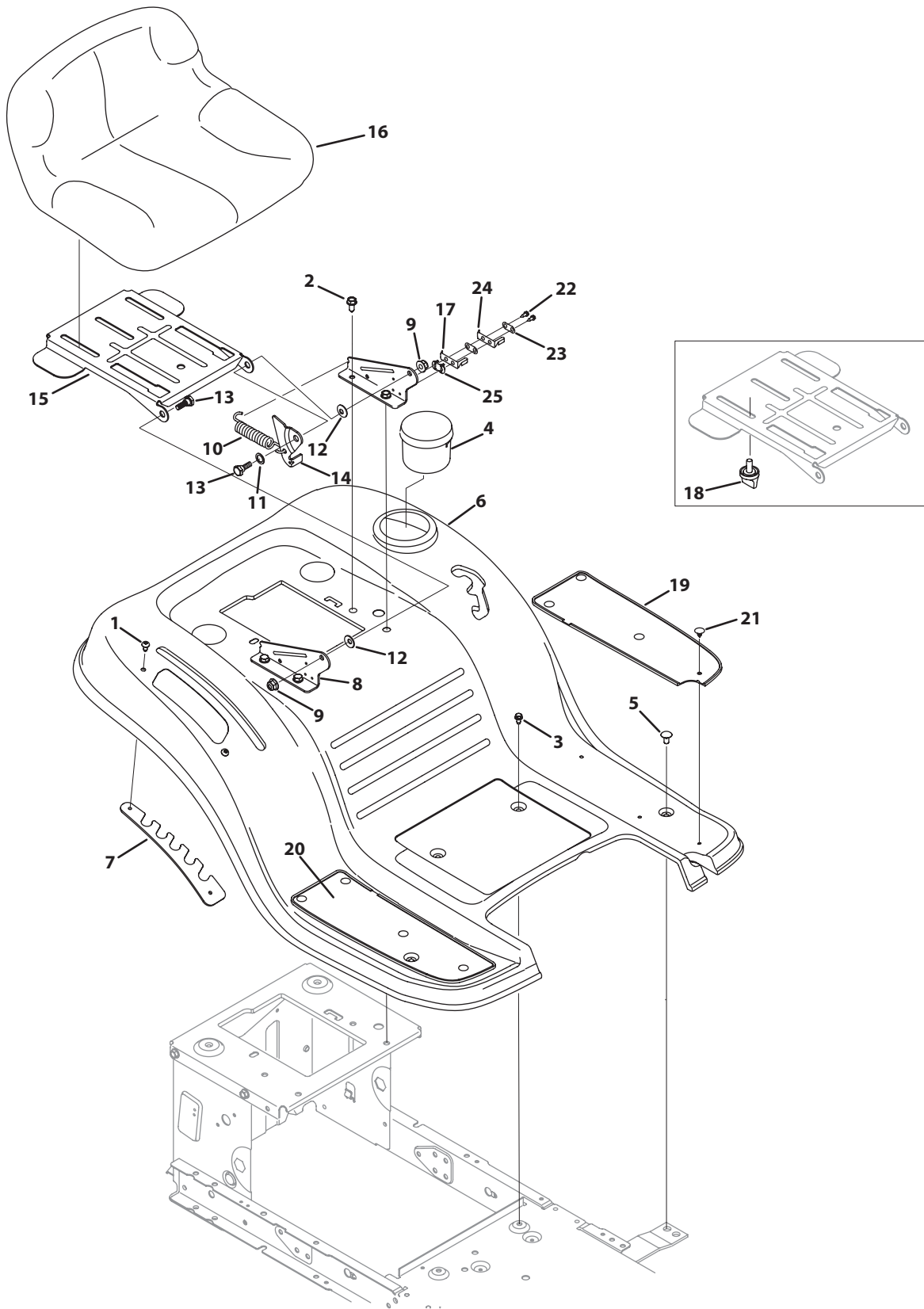
Ref. No.	Part No.	Description	Ref. No.	Part No.	Description
1	683-04195	Support Bracket	25	716-0106A	E Ring
2	683-04649A	Frame Assembly	26	720-0311	Handle Grip, 1/2
3	710-0134	Screw Carriage, 1/4-20 x .62	27	732-04225	Torsion Spring
4	710-04484	Screw 5/16-18 x .750	28	738-04130	Shoulder Bolt, 3/8-16 x .625 x .175
5	710-0599	Screw, 1/4-20 x .500	29	941-0225	Hex Flange Bearing
6	710-3008	Hex Screw, 5/16-18 x .75	30	747-04282	Deck Lift Handle
7	712-04063	Flangelock Nut, 5/16-18	31	747-04393	Lift Rod
8	712-04064	Flangelock Nut, 1/4-20	32	783-04494C	42" Lift Arm, RH
9	912-0429	Hexlock Nut, 5/16-18	33	783-04711C	42" Lift Arm, LH
10	732-04035	Compression Spacer, 1.28 x 3.125	34	725-04363	Switch Interlock
11	736-0173	Flat Washer, .28 x .74 x .063	35	736-0322	Flat Washer, .450 x 1.250 x .164
12	738-04237A	Shoulder Spacer, 10-32 x .500	36	741-04119A	PTO Bearing
13	783-04548D	Seat Frame Bracket	37	946-04173E	Deck Engage Cable
14	783-04637	Running Board Bracket	38	756-04196A	Engine Pulley, 3.39 x 6.12
15	783-04753	Support Frame Bracket	39	683-04448	Battery Hold Down Rod
16	783-04869A	Battery Bracket	40	936-0300	Flat Washer, .406 x .875 x .059
17	710-04666	Hex Head Flange, 1/4-20 x .75	41	747-04857	42" Belt Keeper
18	712-0271	Sems Nut, 1/4-20	42	710-0604A	Screw, 5/16-18.0 x .625
19	925-1707D	230 CCA Battery	43	725-04439	12V Solenoid
20	783-04536B	Support Bracket	44	710-3157A	Hex Screw, 7/16-20 x 3.25
21	647-04096A	PTO Handle Assembly	45	914-0145	Click Pin, .092 x 1.64
22	683-04155A	Lift Assembly, 42"	46	720-04049A	Handle Grip, 3/8
23	712-04065	Flangelock Nut, 3/8-16	47	732-04276A	PTO Spring Extension
24	714-04040	Bow-tie Cotter Pin			





Ref. No.	Part No.	Description
1	617-04094	Front Steering Gear Assembly
2	710-0514	Hex Screw, 3/8-16 x 1.00
3	710-0643	Hex Screw, 5/16-18 x 1.00, Lock
4	710-1309	Machine Screw, 5/16-18 x .750
5	710-3180	Hex Screw, 5/16-18 x 1.75
6	912-0240	Jam Nut, 7/16-20
7	912-0214	Jamlock Nut, 3/8-24
8	712-04063	Flangelock Nut, 5/16-18
9	938-04013	42" & 46" Front RH Axle
10	923-0448A	Ball Joint, 7/16-20
11	736-0242	Bell Washer, .340 x .872 x .060
12	938-04014A	42" & 46" Front LH Axle
13	738-04141	Shoulder Bolt, 5/16-18 x .435 x .350
14	738-0919A	Steering Shaft, 5/8 x 22.08
15	941-04124	Flange Bearing, 5/8
16	934-0255	Valve, tubeless Air
17	747-05385	Steering Link
18	948-0389	Cap, 1.25 x .16
19	748-04065	Steering Block
20	748-04068	Spacer, .71 x .125 x .56
21	734-1731	Tire, 15 X 6 X 6 Sq Shoulder
22	738-04162C	Shoulder Spacer, .884 x .190
23	736-04228A	Flat Washer, .781 x 1.590
24	714-0162	Cotter Pin, 5/32 x 1.25
25	683-0128B	Pivot Axle
26	710-04484	Screw, 5/16-18 x .750
27	712-04065	Flangelock Nut, 3/8-16
28	914-0474	Cotter Pin, .125 x .75
29	934-04081-0662	Rim Asm, 6.0x4.5
30	634-04086-0911	Wheel Assembly
31	631-04028	Steering Wheel
32	931-0484A	Hub Cap
33	731-04681	Cap, Troy-Bilt
34	738-04128	Shoulder Bolt, 3/8-16 x .500 x 2.38
35	747-04299A	Fixed Rod
36	783-05326B	Pivot Bar Bracket
37	726-0341	Push Cap, 3/4
38	731-04057A	Standard Axle Cap
39	741-0660A	Flange Bearing, .760 x .941 x 1.0

# Seat and Fender



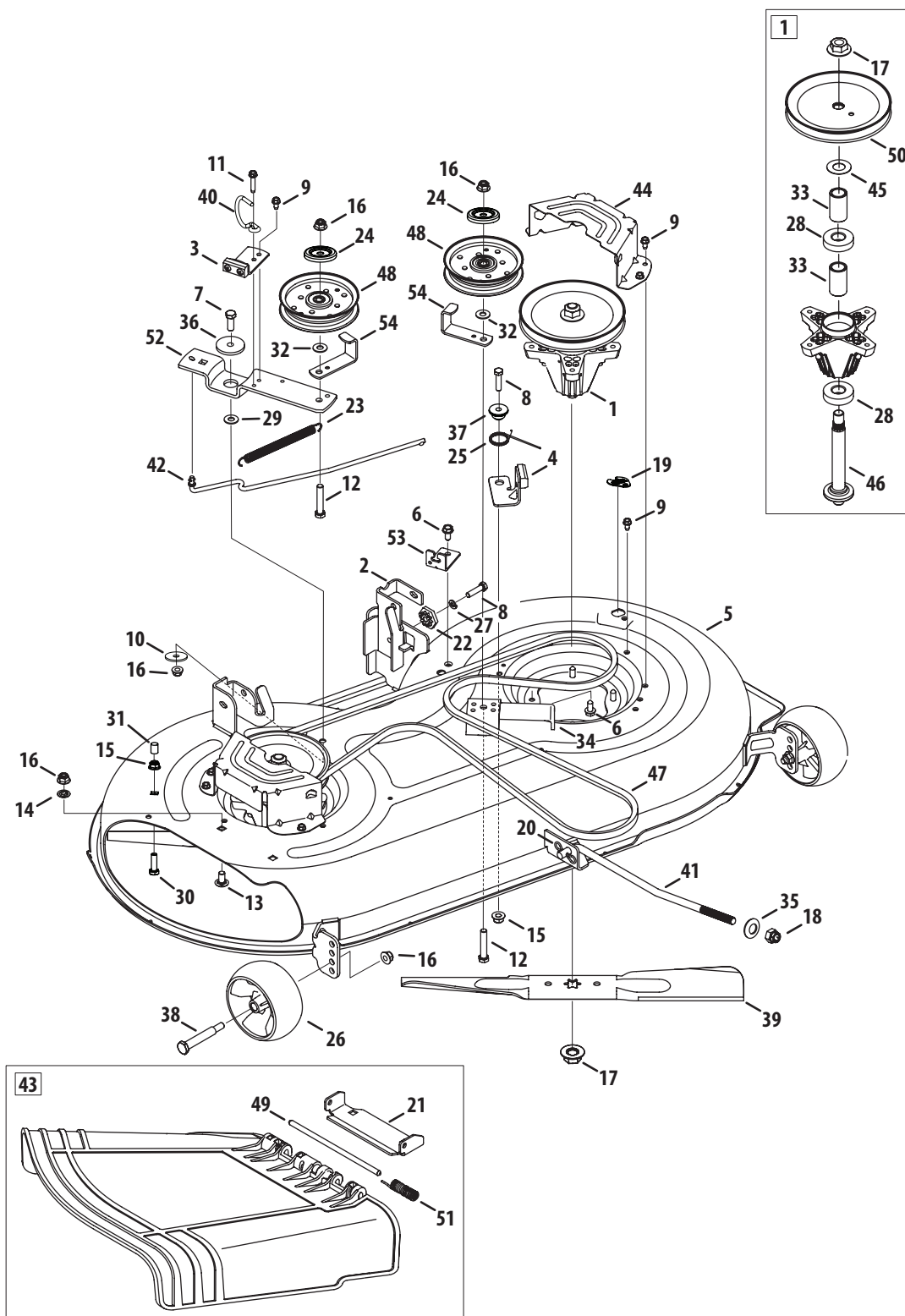
Ref. No.	Part No.	Description
1	710-05070	Screw, 1/4-20 x .500
2	710-04484	Screw, 5/16-18 x .750
3	710-0599	Screw Pan Torx Head, 1/4-20 x .500
4	731-04591A	Cup Holder
5	710-0134	Screw Carriage, 1/4-20 x .62
6	783-04587D	Fender - Red
7	783-04843	Lift Adjuster Bracket - Powder Black
8	783-1489D	Seat Mount Bracket - Powder Black
9	712-04063	Flangelock Nut, 5/16-18
10	732-1184	Extension Spring
11	936-0108	Flat Washer, .510x .750 x .033
12	736-0242	Bell Washer, .340 x .872 x .060
13	938-0296	Shoulder Screw, 5/16-18 x .437 x .268
14	783-0209D	Lift Seat Bracket
15	783-04081D	Pivot Seat Manual Adjust Bracket
16	757-04083A	Med. Back Seat, Black
17	725-1439	Inner Seat Spring
18	720-04061	Knob, 3/8-16 x .875
19	735-04047	Foot Pad, LH
20	735-04048	Foot Pad, RH
21	726-3046	Ratchet Clip, .250 x .500
22	710-0227	Screw, 8-18 x .500
23	726-0279	Insulator Plate
24	925-1303	Outer Seat Spring
25	726-0278	Insulator Boss Plate



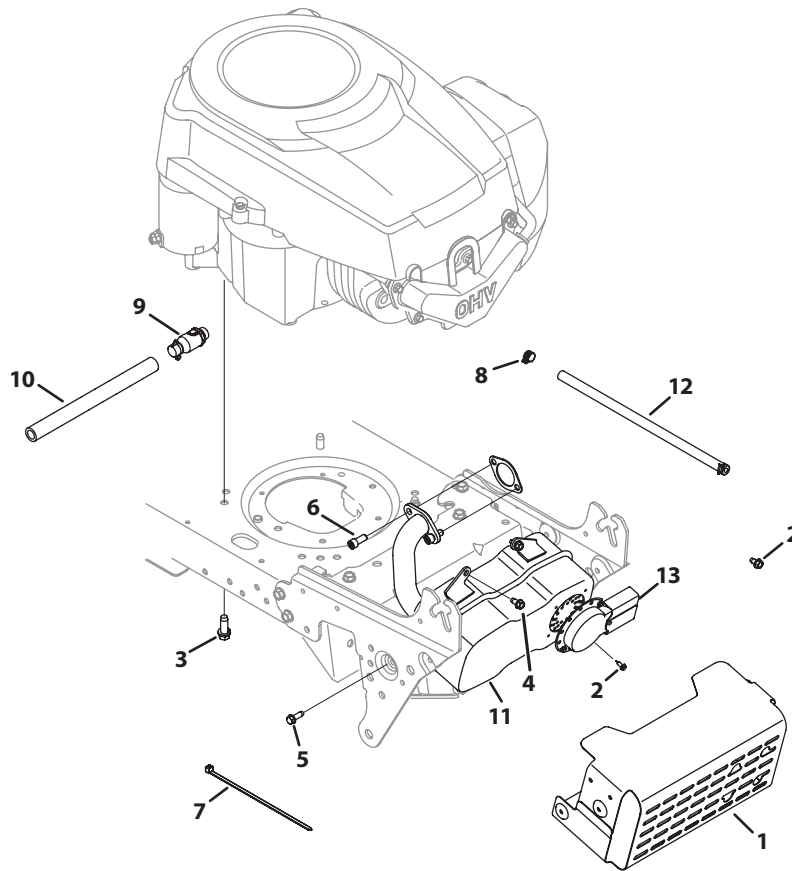
# Transmission

Ref.	Part No.	Description	Ref.	Part No.	Description
1	918-04566	Transmission Drive Assembly	44	736-3040	Flat Washer, .406 x 1.920 x .060
2	17962	Plate Switch	45	936-0185	Flat Washer, .375 X .738 X .063
3	647-04266	Shaft Lever Assembly	46	725-04363	Switch Interlock
4	647-04201A	Pedal Assembly, drive	47	634-0104	Wheel, 20 x 8 x 8
5	647-04203A	Pedal Assembly, control	48	738-0372B	Shoulder Spacer, 1.00 X .38 X .38
6	683-04736	Pedal Bracket Assembly	49	738-04091A	Shoulder Screw, .43 x .29, 5/16-18
7	710-0227	Screw, 8-18:0.500	50	783-06807A	Stop Pedal Plate
8	710-04484	Screw, 5/16-18 x .750	51	741-0495	Fling Bearing .63 Id x .695 Od X .60
9	710-0604A	Screw, 5/16-18 x 0.625	52	934-0255	Valve, tubeless Air
10	710-0809	Screw, 1/4-20 x 1.250	53	747-05188	Brake Rod
11	710-0859	Hex Screw, 3/8-16 x 2.50	54	747-05243	Shift Rod, 46"
12	710-1007	Screw, 3/8-16 x 1.500	55	747-05596	Idler Adjustment Rod
13	710-1858A	Screw, 3/8-16 x 1.750	56	747-05415	Transmission Bypass Rod
14	710-1266	Hex Screw, 5/16-18 x .625	57	948-0334	Spacer, T-Axle .68
15	710-1026	Screw, 1/4-20 x 1.75	58	750-04456	Spacer, .260 X .372 X 1.420 Lg
16	710-3008	Hex Screw, 5/16-18 x .75	59	750-0566A	Spacer, .260 X .375 X 1.030 Lg
17	912-0240	Jam Nut, 7/16-20	60	954-04208	V Belt, 5L 40.9 Poly
18	712-0241	Hex Nut, 3/8-24	61	954-0467A	V Belt, 5L, 90.93 Poly
19	712-04063	Flangelock Nut, 5/16-18	62	956-04002	V Pulley 7.25 DIA SPUN
20	732-04764	Spring Extension, .56 OD x 12.05	63	756-04224	Idler Pulley
21	912-3000	Nut, 3/8-16, Centerlock	64	756-04325	Idler Pulley
22	712-0700	Flange Nut, 9/16-18	65	783-04536B	Pedal Support Bracket
23	734-1730	Tire, 20 X 8 X 8	66	783-04595A	Shaft Adjust Bracket
24	914-0209	Cotter Pin INT- .125 DIA	67	634-04369-0662	Rim, 8.0 X 7.0 X .750
25	714-04040	Bow-Tie Cotter Pin, 72	68	783-06562A	Frame Pedal Bracket, Rh
26	718-04407	Pulley Hub, 5/8 SPLINE	69	783-06769	Center Idler Bracket
27	720-04028	Shift Knob	70	783-06592A	Idler Bracket
28	923-3018	Ball joint	71	783-06641A	Pedal Support Bracket
29	725-0157	Cable tie	72	753-06662	Idler Bracket Assembly
30	725-1644	Short Spring Switch	73	683-04606	Bracket Assembly
31	726-0214	Push Cap, 5/8	74	710-1260A	Screw, 5/16-18 x 0.750
32	926-0320	Plate Insulator Nut	75	710-3005	Hex Screw, 3/8-16 x 1.25
33	731-04602	Sleeve, .758 x .821 x 3.3125	76	712-04065	Flangelock Nut, 3/8-16
34	731-04604	Sleeve, .758 x .821 x 2.4375	77	738-04162C	Shoulder Spacer, .8840 X .190
35	731-06330	Plug, 7/8	78	956-04015A	Variable Speed Pulley Assembly
36	731-06894	Shift Plate Bearing	79	683-04522	Belt Kepr Assembly
37	732-04488	Spring Extension, .38 OD x 3.25 LG	80	683-04612	Bracket Assembly
38	732-04612	Spring Extension, .70 OD X 12.00	81	710-05339	Screw, 5/16-24 x .750
39	732-04616B	Spring Extension, .97 Od X 6.18 Lg	82	710-0778	Screw, 1/4-20 x 1.500
40	732-0716D	Spring Extension, .59 OD x 4.00 LG	83	718-04261	Bearing Cup
41	735-0239	Foot Pad, 4.0 Long	84	736-0362	Flat Washer, .330 X 1.25 X .06
42	735-04272	Control Pad	85	941-0600	Ball Bearing, 17 x 40 x 12
43	936-0169	Lock Washer 3/8	86	747-05430	Spring Retainer Rod

# 42" Deck



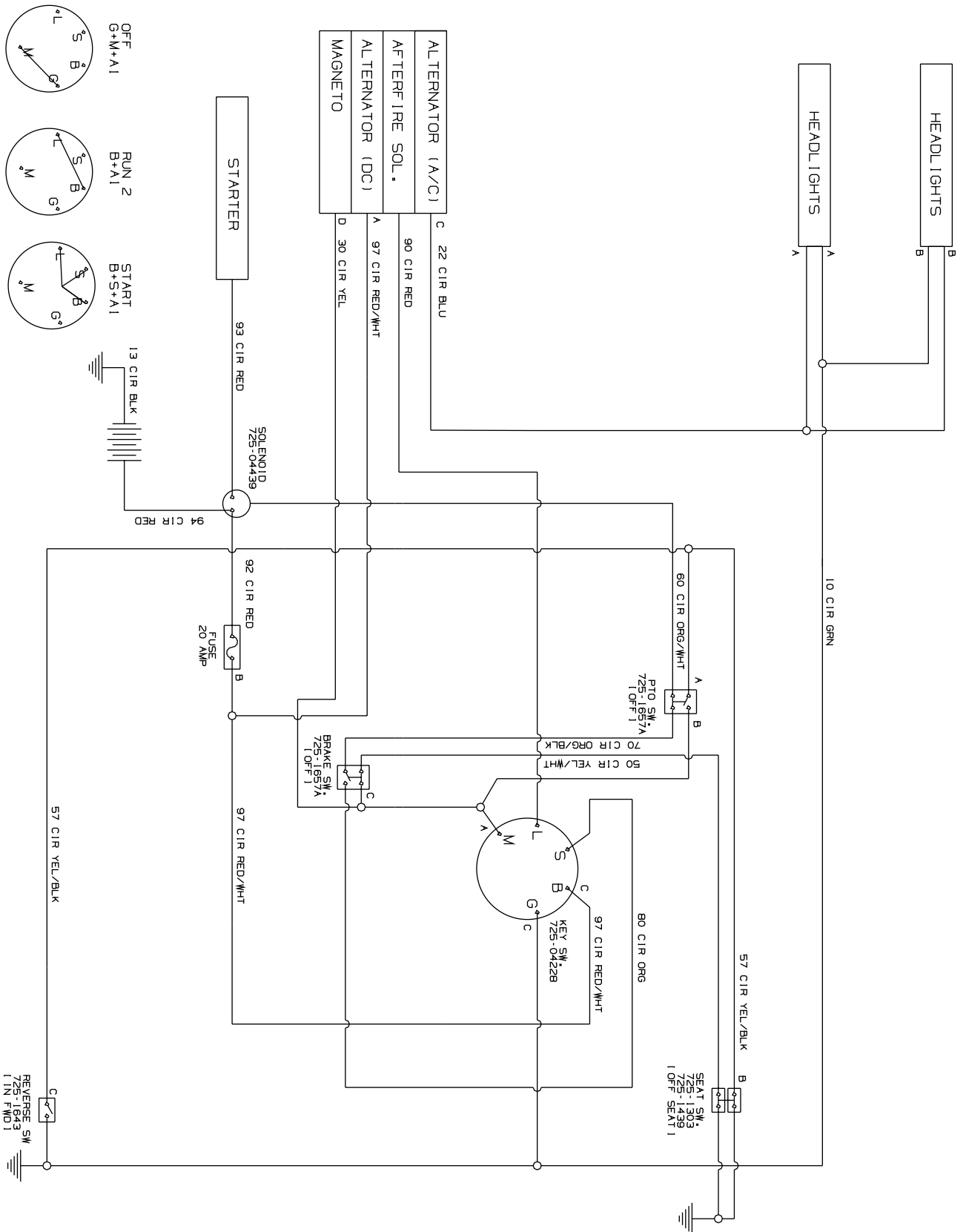
Ref.	Part Number	Description	Ref.	Part Number	Description
1.	918-04822A	Spindle Ass'y, Pulley, 6.3 Dia	28.	941-0919A	Bearing, Ball, .787id x 1.85 Odx.551
2.	683-0254B	Bracket Ass'y, Deck, Hanger LH	29.	936-0344	Washer, Flat, .385 X 1.0 X .030
3.	983-04511	Brake Ass'y, Deck, 42/46	30.	710-0376	Hex Cap Screw, 5/16-18 x 1.00
4.	983-04525	Brake Ass'y, Deck, 46"	31.	720-05010	Cap, .290 x .500
5.	983-04572A	Deck Ass'y, Offset, 42"	32.	736-0262	Washer, Flat, .385 x .870 x .092
6.	710-04484	Screw, Self-tapping, 5/16-18, .750	33.	750-04936	Spacer, .792 x 1.060 x 1.860
7.	710-3005	Hex Screw, 3/8-16, 1.25, Gr5, Std	34.	783-06643	Bracket, Support, Stationary Idler
8.	710-0528	Hex Screw, 5/16-18, 1.25, Gr5, Std	35.	748-04069	Deck Lift Pivot Cup
9.	710-0599	Screw, Self-tapping, 1/4-20, 0.500	36.	738-04162C	Spacer, Shoulder, .8840 x .190
10.	936-3039	Flat Washer, .406 x 1.500 x .105	37.	748-04272	Shoulder Spacer
11.	710-0642	Screw, Self-tapping, 1/4-20, .750	38.	938-3056	Bolt, Shoulder, .496 x 2.50, 3/8-16
12.	710-3144	Hex Screw, 3/8-16, 2.00, Gr5, Std	39.	942-04308	Blade, Cut, 21.23" 2-In-1, Econ
13.	710-3178	Bolt, Carriage, 3/8-16, 0.75, Gr1	40.	747-05323	Rod, Keepr, Belt 42 Idler
14.	712-0229	Nut, Push, 3/8	41.	747-05141A	Rod, Lift, Deck, Frt, 12.7
15.	712-04063	Nut, Flange Lock, 5/16-18, Grf	42.	747-05105B	Rod, Control, Brake 42"
16.	712-04065	Nut, Flange Lock, 3/8-16, Grf	43.	631-04288	Chut Assembly, 42" Deck
17.	712-0417A	Nut, Flange, 5/8-18	44.	783-06424A	Deck Belt Cover, 42
18.	712-04243	Nut, Lock, 1/2-13	45.	936-0351	Washer, Flat, .760 Idx1.50 OD
19.	783-06464	Deck Wash Plug	46.	738-1186A	Shift, Spindle, 6.11.
20.	714-04043	Bow-Tie Cotter Pin	47.	954-04060B	Belt, V Type, A Sec X 96.5
21.	783-06074A	Chute Bracket	48.	756-04129B	Pulley, Idler, 4.25"Dia
22.	917-04074	Gear, Deck, Adjustment	49.	711-04847B	Pin, Hinge, Dia .3125 x 7.96
23.	932-0384	Spring, Extension, .62 Dia x 6.12	50.	956-1227	Pulley, Deck, 6.3 Dia
24.	783-07236	Pulley Cap	51.	732-04372	Spring, Torsion, .44 I.D. X 2.0
25.	732-04840	Spring, Torsion, .992 ID X 1.17 OD	52.	783-05946	Pivot idler Bracket, 46
26.	734-04155	Wheel, Deck, 5.0 Dia Ball	53.	783-06243	Bracket, Cable, Deck Engage
27.	936-0119	Washer, Lock, 5/16, Regular Duty	54.	783-06368A	Bracket, Guard, Belt, 4.25 Pulley



Ref. No.	Part No.	Description
1	683-04549	Muffler Shield Assembly with Weld
2	710-0227	Screw, 8-18 x .500
3	710-04683A	Screw, 3/8-16 x 1.0
4	710-0599	Screw, 1/4-20 x .500
5	710-0642	Screw, 1/4-20 x .750
6	710-1314A	Socket Screw, 5/16-18 x .750
7	725-0157	Cable Tie
8	726-0205	Clamp Hose, .490 diameter
9	951-10517A	Oil Drain
10	751-3141-14	Oil Drain, Extension Hose
11	751-11943	Muffler
12	751-10349-28	Fuel Hose, Low Permeation
13	751-11053A	Muffler Deflector Long



# Wiring Harness Schematic - 725-04567G









To order replacement parts or locate your nearest service dealer call a Customer Support at (800) 800-7310.  
or visit [www.mtdproducts.com](http://www.mtdproducts.com) to find the nearest authorized dealer in your area.

---

**MTD LLC, P.O. BOX 361131 CLEVELAND, OHIO 44136-0019**

---