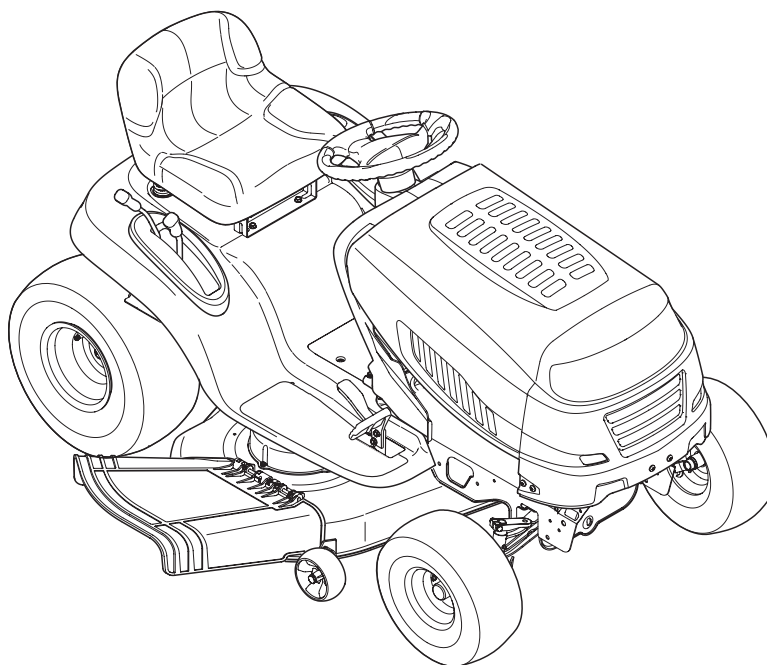

ILLUSTRATED PARTS MANUAL



Hydrostatic Lawn Tractor, 900 Series

MTD LLC, P.O. BOX 361131 CLEVELAND, OHIO 44136-0019

To The Owner

Thank You

Thank you for purchasing an MTD Laww Tractor. It was carefully engineered to provide excellent performance when properly operated and maintained.

All information in this manual is relative to the most recent product information available at the time of printing. Please be aware that this Illustrated Part's Manual may cover a range of product specifications for various models.

Components listed and/or illustrated in this manual may not be applicable to all models. We reserve the right to change product specifications, designs and equipment without notice and without incurring obligation.

Throughout this manual, all references to *right* (RH) and *left* (LH) are observed from the operating position.

Table of Contents

<u>Electrical Schematic</u>	<u>3</u>	<u>Drive and Rear Wheels.....</u>	<u>10</u>
<u>Manual PTO and Battery.....</u>	<u>4</u>	<u>46" Deck</u>	<u>12</u>
<u>Steering and Axle</u>	<u>6</u>	<u>Hood and Dash, 5 Style</u>	<u>14</u>
<u>Seat and Fender</u>	<u>8</u>	<u>Engine Accessories, Single.....</u>	<u>16</u>

Record Product Information

To ease in ordering replacement parts, please locate the model plate on the equipment and record the information in the provided area to the right. You can locate the model plate by looking beneath the seat.

MODEL NUMBER

--	--	--	--	--	--	--	--	--	--	--	--

SERIAL NUMBER

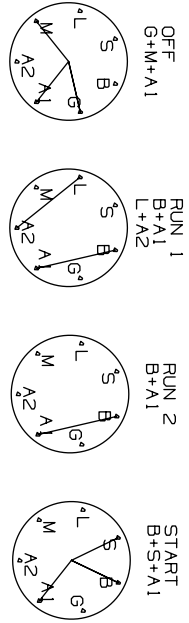
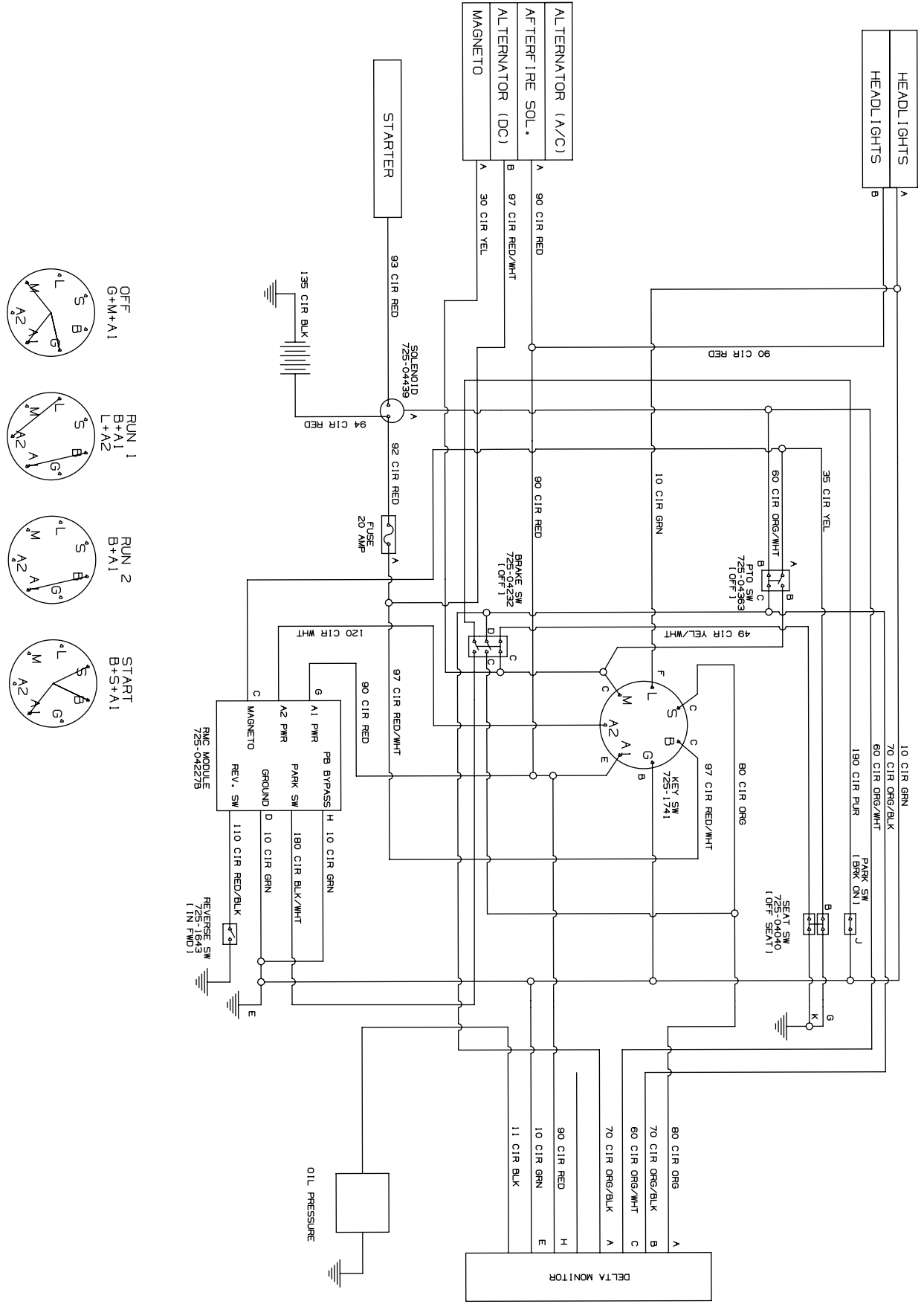
--	--	--	--	--	--	--	--	--	--	--	--

Painted Parts

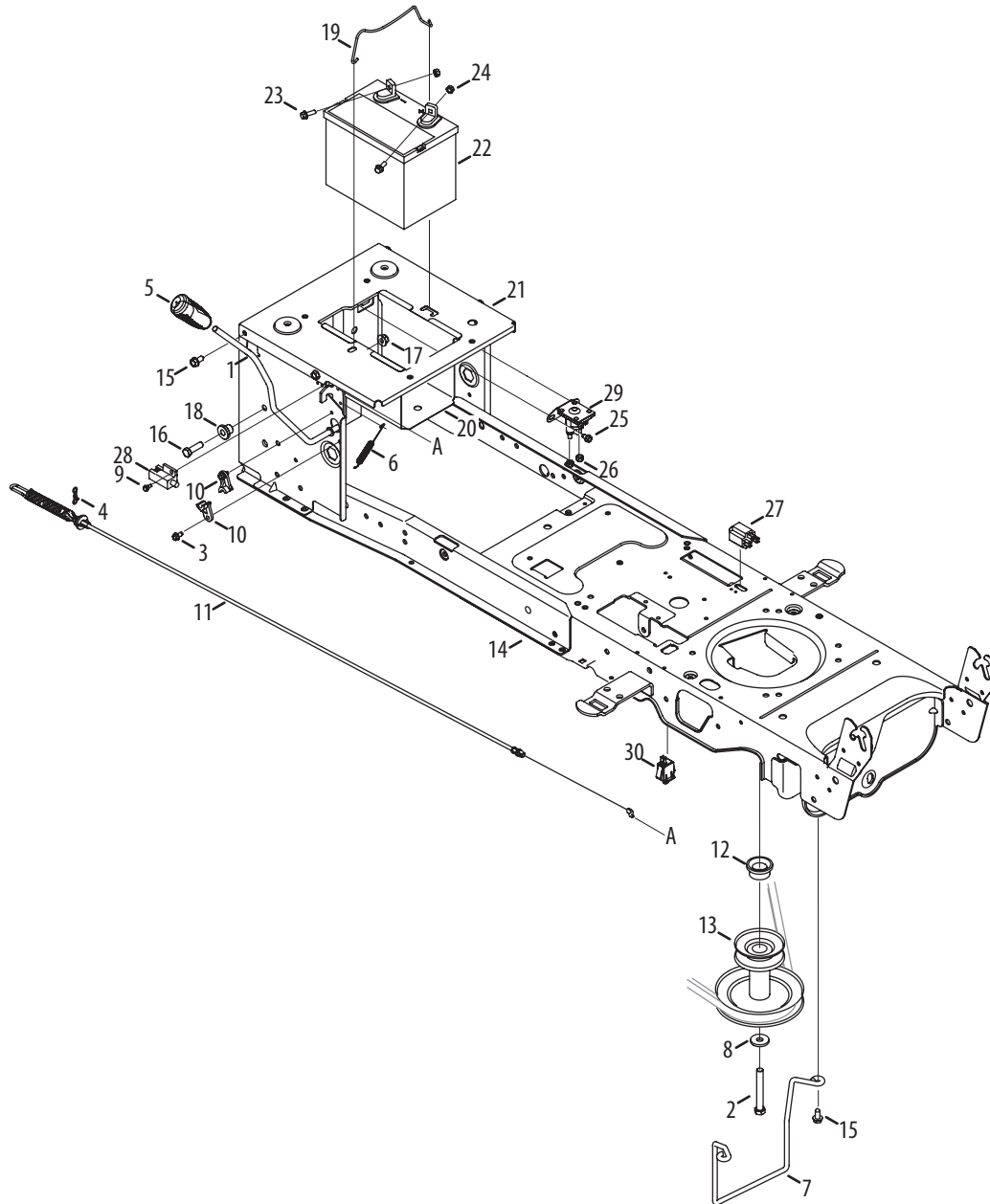
When ordering painted service parts, a four digit color suffix must be added to the part number (e.g. 783-XXXXX-0637). Please refer to the table below for current color codes:

0637	Black	0674	Yellow (Yard-Man)
0709	Dark Green (Bolens, Yard-Man)	0650	Metallic Red (White Outdoor)
0662	Oyster Gray (MTD Gold)	0629	Silver Flake (MTD Platinum)
0638	Red (Yard Machines, Huskee, Troy-Bilt, MTD)	04038	Day Orange (Daedong)
0691	Black Jack (MTD Gold, MasterCut)	04033	Flint Mica (Troy-Bilt XP)

Electrical Schematic

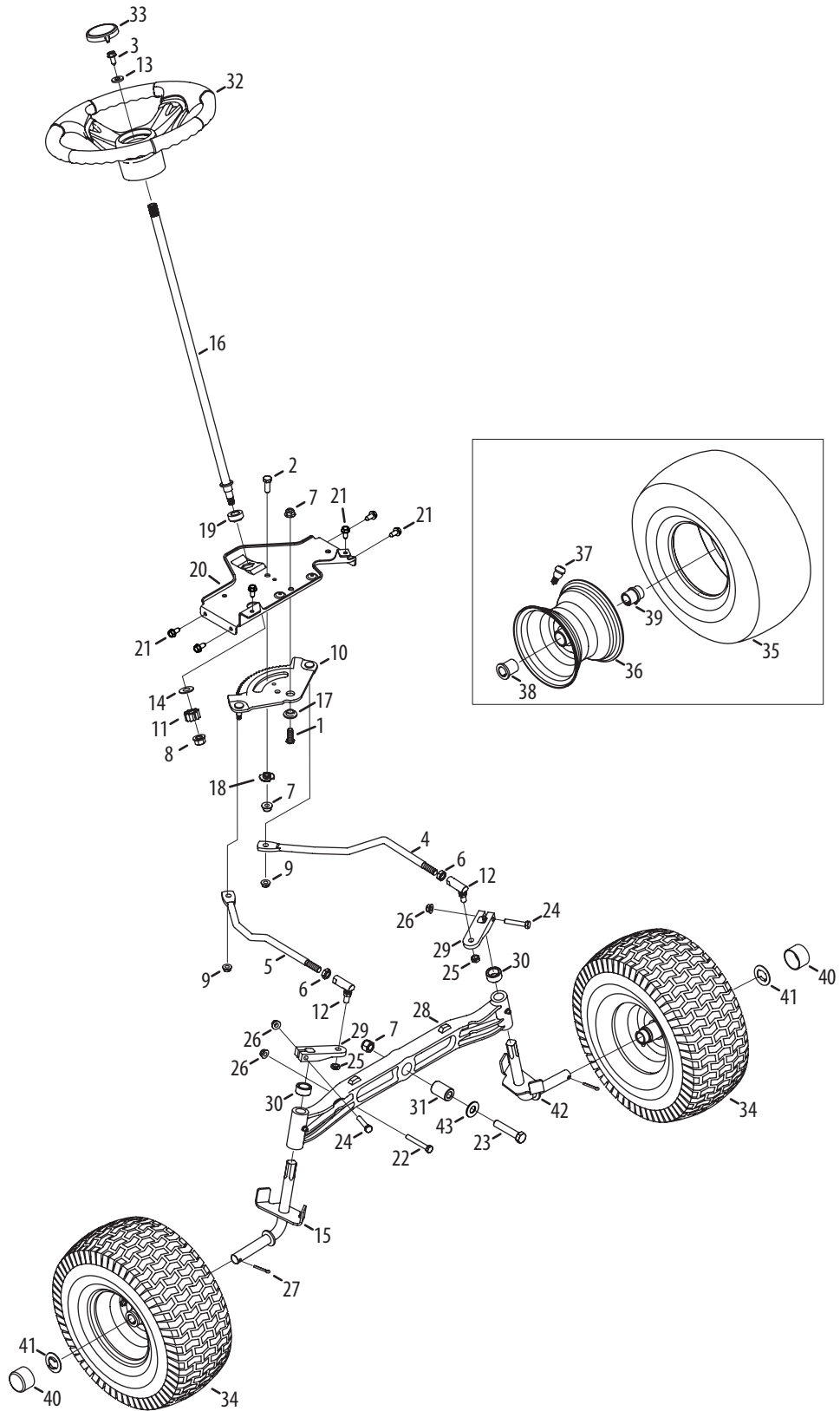


Manual PTO and Battery



Ref.	Part Number	Description
1	647-04151	Handle Ass'y, PTO
2	710-04379A	Hex Screw, 7/16-20, 3.50, Gr5, Lock
3	710-0599	Screw, Self-tapping, 1/4-20, 0.50
4	714-04040	Pin, Cotter, Bow-Tie 72
5	720-04049A	Grip, Handle, 3/8
6	732-0932	Spring, Ext, .38 Dia x 5.6
7	747-05171A	Belt Keeper Rod
8	736-0322	Washer, Flat, .450 x 1.250 x .164
9	738-04237A	Screw, Shoulder, #10-32, .500
10	741-04119A	Bearing, PTO
11	946-04618C	Cable, Engag, Deck
12	750-0956	Spacer, 1.010 x 1.400 x .825
13	956-04067A	Pulley, Engine, 3.56 x 6.12 Dia.
14	683-04469D	Frame Ass'y, Lower
15	710-04484	Screw, Self-tapping, 5/16-18, .750,
16	710-3005	Hex Screw, 3/8-16, 1.25, Gr5, Std
17	712-04065	Nut, Flange Lock, 3/8-16, Grf,
18	738-04058	Spacer, Shoulder, .38 x 1.0 x .70
19	747-04121A	Rod, Battery
20	783-0349	Tray, Battery
21	783-06089	Bracket, Frame, Seat
22	925-1707D	Battery
23	710-04666	Hex Flange Screw, 1/4-20, .75, Gr5
24	712-0271	Nut, Sems, 1/4-20
25	710-0653	Screw, Self-tapping, 1/4-20, 0.375,
26	712-04064	Nut, Flange Lock, 1/4-20, Grf,
27	725-04232	Switch, 3-Pole
28	725-04363	Switch, Interlock
29	725-06153	Solenoid, 12V
30	725-04807	Switch, Plunger, Snap Mount
—	925-04105	Wire Harness, Main

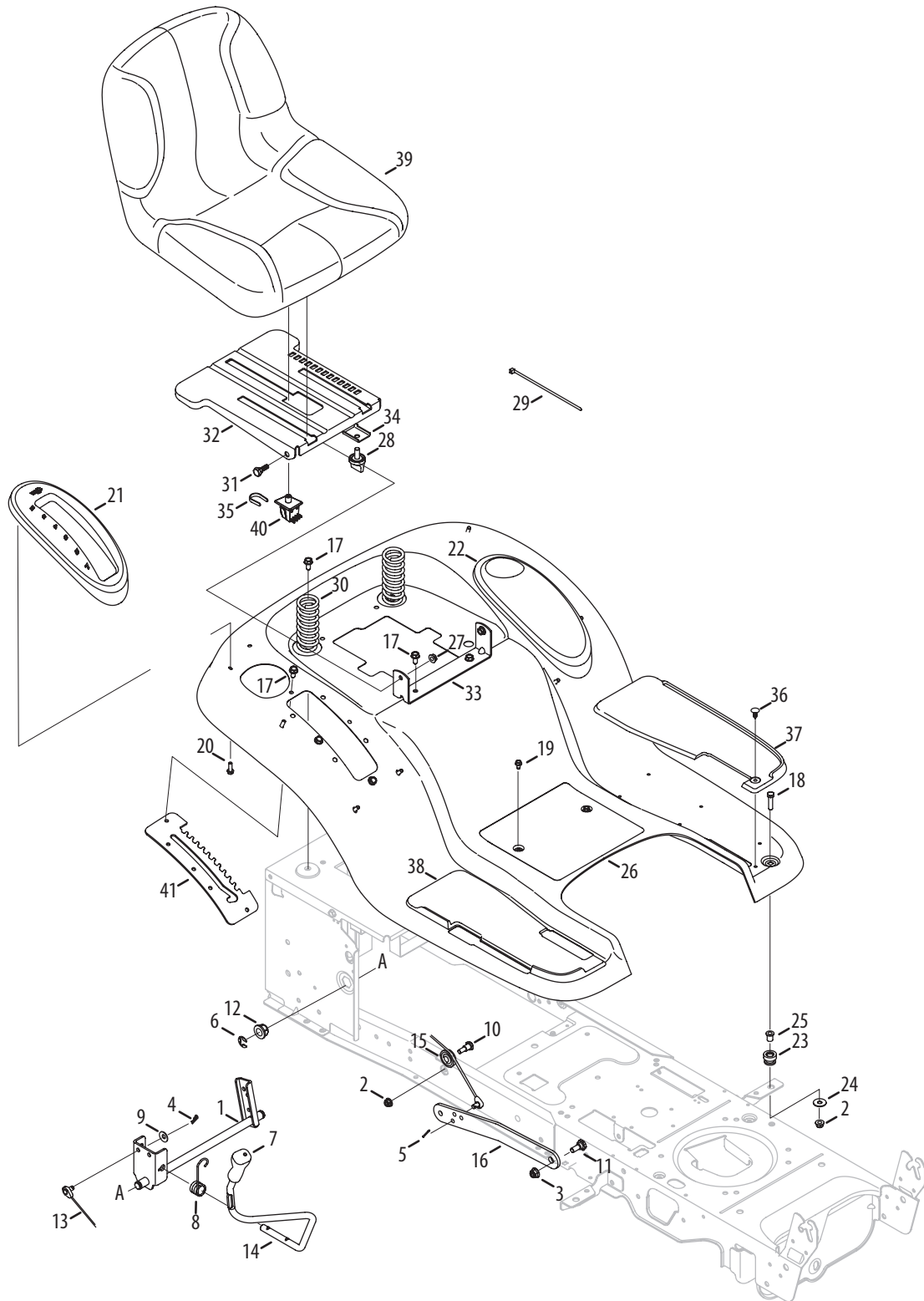
Steering and Axle



Steering and Axle

Ref.	Part Number	Description	Ref.	Part Number	Description
1	710-04095	Hex Screw, 3/8-16, 1.00, Gr5, Spec	23	710-0859	Hex Screw, 3/8-16, 2.50, Gr5, Std
2	710-0514	Hex Screw, 3/8-16, 1.00, Gr5, Std	24	710-3180	Hex Screw, 5/16-18, 1.75, Gr5, Std
3	710-0643	Hex Screw, 5/16-18, 1.00, Gr5, Lock	25	912-0214	Nut, Hex Lock, 3/8-24, Grb
4	711-04998	Link, Drag LH	26	712-04063	Nut, Flange Lock, 5/16-18, Grf
5	711-04999	Link, Drag RH	27	714-0162	Pin, Cotter, 5/32, 1.25
6	912-0240	Nut, Jam, 7/16-20, Gr2	28	719-04413A	Axle, Pivot Bar, Cast
7	712-04065	Nut, Flange Lock, 3/8-16, Grf,	29	748-04278	Steering, Block
8	712-0459	Nut, Flange Lock, 7/16-20, Grb, Lock	30	748-04068	Spacer, .71 ID x .125 OD x .56
9	712-3004A	Nut, Flange Lock, 5/16-18, Gr5, Sd Lk	31	750-05280	Spacer, .385 x 1.00 x 1.5075
10	717-1550F	Gear, Steering, 11/90 Ratio	32	631-04028	Steering Wheel, Standard Grip
11	717-1554	Gear, Pinion, Steering	33	731-04040	Cap, Sprig, Small
12	923-0448A	Ball Joint, 7/16-20, Lock	34	634-04406-0911	Wheel Assembly
13	936-3004	Washer, Flat, .406 x .875 x .105	35	734-1731-0901	Tire, 15 x 6 x 6
14	736-3084	Washer, Flat, .51 x 1.12 x .06	36	634-04405-0662	Rim Assembly, Plastic Bearing
15	938-04034	Axle Ass'y, RH .750 Dia	37	934-0255	Tubeless Air Valve
16	738-04263	Shaft, Steering, .625 OD x 24.25	38	741-0516B	Flange Bearing, .760 x 1.00 x 1.20
17	738-04363	Spacer, Shoulder, .385x 1.25 x .3025	39	741-0990B	Flange Bearing, .760 ID
18	738-04364B	Spacer, .38 x 1.375, Special, 46" Only	40	731-08049	Cap, Bumper
19	741-04237B	Bearing, Flange, Hex 5/8 Pm	41	736-04228A	Washer, Flat, .350 x 1.559 x .062
20	783-06043	Bracket, Support, Steering	42	638-04035P	Axle Ass'y, LH .750 Dia
21	710-04484	Screw, Self-tapping, 5/16-18, .750,	43	936-0300	Washer, Flat, .406 x .875 x .059
22	710-0395	Hex Screw, 5/16-18, 2.25, Gr5, Std			

Seat and Fender

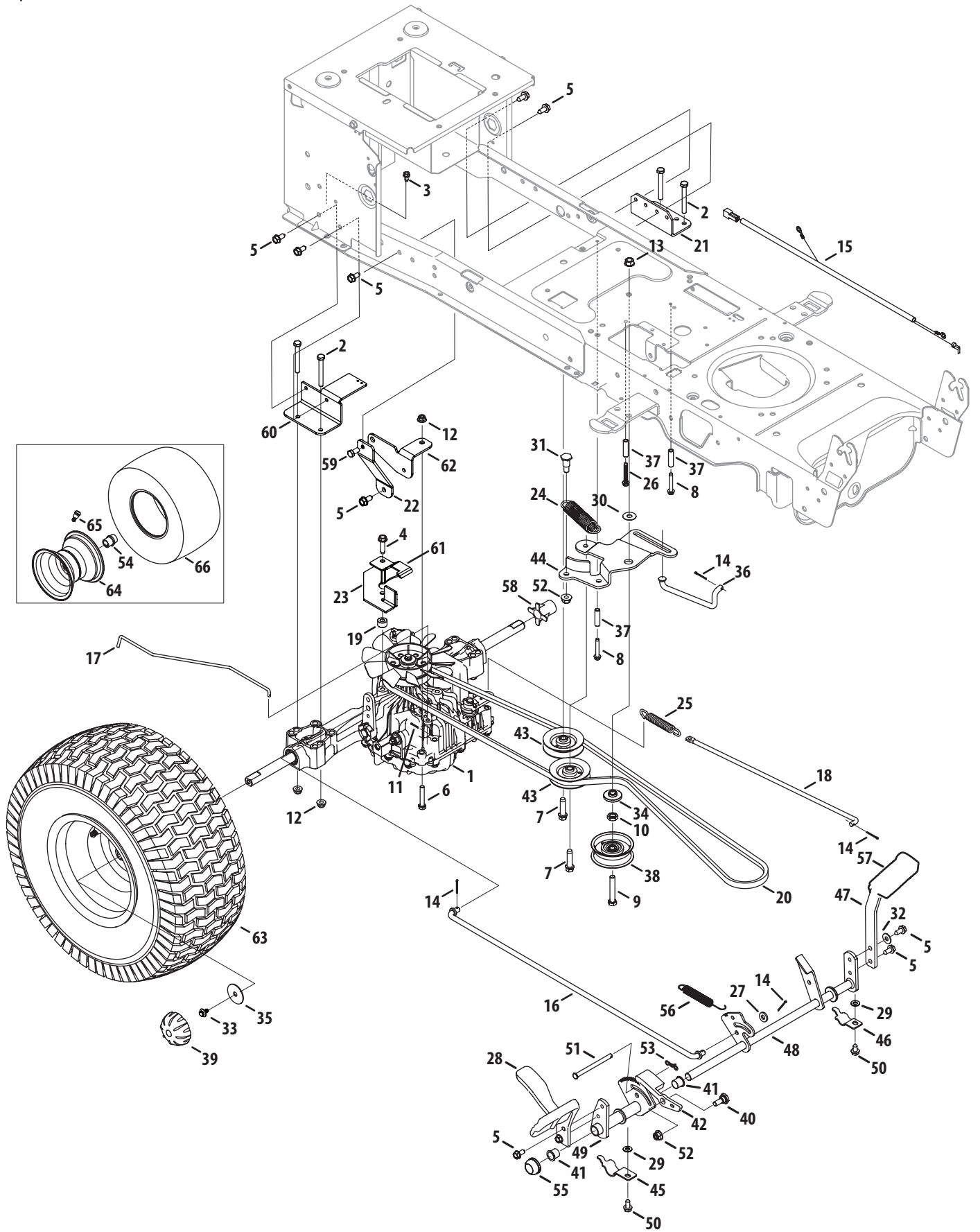


Seat and Fender

Ref.	Part Number	Description
1	683-04223	Shaft Ass'y, Lift
2	712-04063	Nut, Flange Lock, 5/16-18, Grf
3	712-04065	Nut, Flange Lock, 3/8-16, Grf
4	914-0104	Pin, Cotter, .072 Dia. x 1.13
5	714-04040	Pin, Cotter, Bow-Tie 72
6	716-0106A	Ring, E Type, .625 Dia. Shaft
7	720-0311	Grip, Handle, 1/2
8	732-0874	Spring, Torsion
9	736-0105	Washer, Spring, .401 x .870 x .063
10	738-0138A	Screw, Shoulder, .437 x .470, 5/16-18
11	938-0380	Bolt, Shoulder, .500, 3/8-16
12	941-0225	Bearing, Hex Flange
13	746-0968	Cable, Lift, 16.16
14	747-04962A	Handle, Lift,
15	756-04331	Pulley, Roller, Cable
16	783-05546A	Lift Link
17	710-04484	Screw, Self-tapping, 5/16-18, .750,
18	710-0528	Hex Screw, 5/16-18, 1.25, Gr5, Std
19	710-0599	Screw, Self-tapping, 1/4-20, 0.500,
20	710-0895	Screw, HL, 1/4-15, 0.750,
21	731-06795	Cover, Lift Lever

Ref.	Part Number	Description
22	731-1993A	Cover w/ Cup Holder
23	735-0690	Grommet, .4375 ID x .750
24	736-3078	Washer, Flat .344 x 1.00 x .063
25	750-3310	Spacer, Flange, .3125 x .4375 x .625
26	783-06259	Fender
27	712-3004A	Nut, Flange Lock, 5/16-18, Gr5, Sd Lk
28	720-04061	Knob, 3/8-16, .875
29	725-0157	Cable, Tie, 3/16 x .05 x 7.4
30	732-04849	Spring, Compr, 1.50 x 3.90 x .200
31	938-0296	Screw, Shoulder, .437 x .268, 5/16-18
32	783-06049	Bracket, Mounting, Seat
33	783-06088A	Bracket, Pivot, Seat
34	783-06266	Bracket, Knob Adjustment, Seat
35	783-06448	Clip, Retaining, Switch
36	726-3046	Clip, Ratchet, .250 Dia
37	735-04138	Pad, Foot, LH
38	735-04158	Pad, Foot, RH
39	757-04086	Seat, Medium Back
40	925-05013	Switch, Seat
41	783-06443	Bracket, Lift, Man PTO, 6 Pos

Drive and Rear Wheels

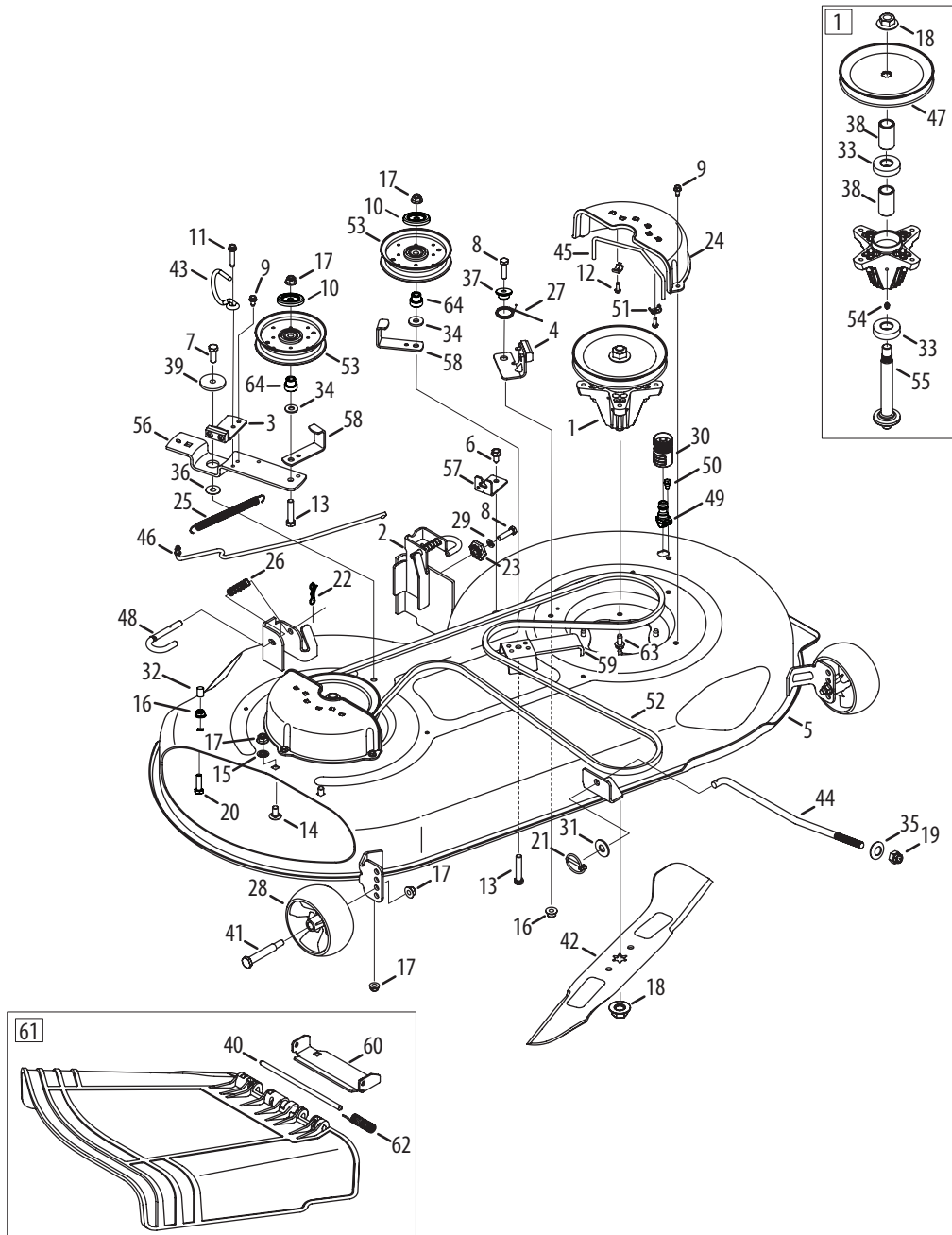


Drive and Rear Wheels

Ref.	Part Number	Description
1	918-05010	Transmission, Tuff Torq K46
2	710-0378	Hex Screw, 5/16-18, 2.50, Gr5, Std
3	710-0599	Screw, Self-tapping, 1/4-20, 0.500
4	710-0817	Screw, Self-tapping, 5/16-18, 1.250
5	710-04484	Screw, Self-tapping, 5/16-18, .750
6	710-3180	Hex Screw, 5/16-18, 1.75, Gr5
7	710-1007	Screw, Self-tapping, 3/8-16, 1.500
8	710-1325	Screw, Self-tapping, 1/4-20, 1.625
9	710-3011	Hex Screw, 3/8-16, 2.25, Gr5
10	912-0240	Nut, Jam, 7/16-20, Gr2
11	914-0111	Pin, Cotter, 3/32, 1.0
12	712-04063	Nut, Flange Lock, 5/16-18, Nylon
13	912-0431	Nut, Flange Lock, 3/8-16
14	914-0111	Pin, Cotter, 3/32, 1.0
15	725-05335	Jumper Harness, Ground & Reverse
16	747-05447	Rod, Control, Tuff-Torq
17	747-05448	Rod, Hydro Bypass
18	747-05452	Rod, Brake, NX9 Tuff-Torq
19	750-05512	Spacer, .330 x .715 x .430
20	954-04297	Belt, V-Type
21	783-06849	Bracket, Mount, Tuff-Torq
22	783-07349	Bracket, NX9 Tuff Torq
23	783-07260	Bracket, Belt Keeper
24	732-04792	Spring, Extension, 1.00 Dia x 4.75
25	732-0716D	Spring, Extension, .59 Od x 4.00
26	710-1026	Screw, Self-tapping, 1/4-20 x 1.75
27	936-0185	Washer, Flat, .375 x .738 x .063
28	719-0584B	Control Pedal
29	936-0275	Washer, Flat, .344 x .688 x .065
30	936-0344	Wash, Flat, .385 x 1.00 x .030
31	738-0430	Scr, Shldr, .50 x .685 3/8-16
32	736-0242	Washer, Bell, .340 x .872 x .060
33	710-05339	Screw, 5/16-24 x .750

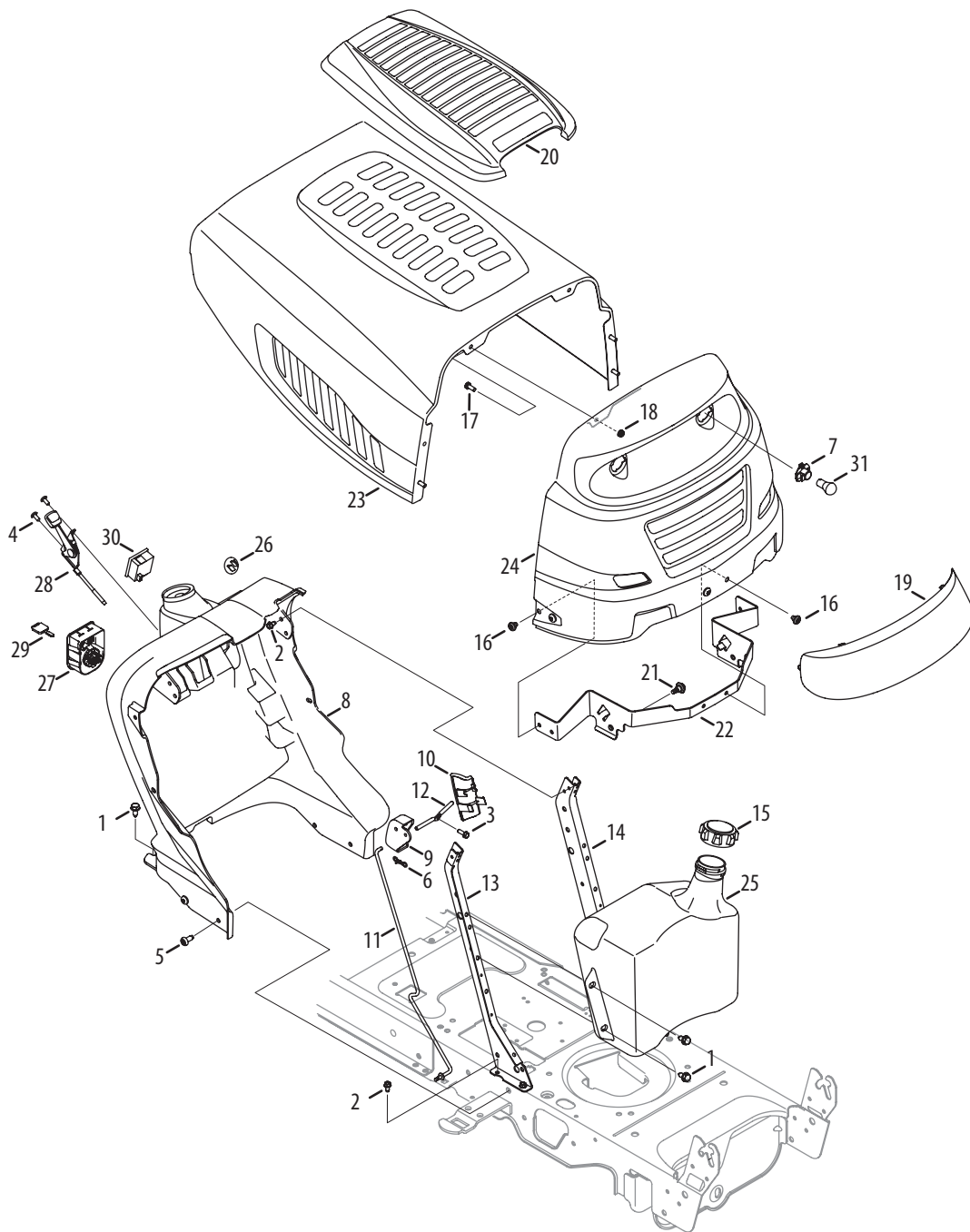
Ref.	Part Number	Description
34	738-04420	Spacer, Shoulder, 1.375 x .380 x .183
35	736-0430	Washer, Flat, .350 x 1.59 x .062
36	747-04957A	Rod, Transmission, Bypass
37	750-04456	Spacer, .260 x .372 x 1.420
38	756-04224	Pulley, Idler, Flat 2.75 OD
39	731-2290A	Cap, Hub
40	938-0380	Bolt, Shoulder, .500 x .270, 3/8-16
41	741-0495	Bearing, Flange, .630 x .695 x .60
42	748-04203	Latch, Cruise
43	756-04325	Pulley, Idler, V-Type x 3.06
44	783-06027B	Bracket, Idler, Center Double
45	783-05914	Bracket, Support, Pedal Strap
46	783-05940	Bracket, Support, Pedal Strap 5/8
47	783-06103A	Bracket, Pedal, Brake
48	647-04152D	Control Assembly, Brake
49	683-04537	Bracket Assembly, Pedal, Hydro
50	710-0604A	Screw, Self-tapping, 5/16-18, 0.625,
51	711-05068A	Pin, Clevis, 5/16 x 3.985
52	712-04065	Nut, Flange Lock, 3/8-16, Nylon
53	714-04040	Pin, Cotter, Bow-Tie 72
54	941-0490	Axle Hub
55	726-0214	Cap, Push 5/8
56	732-04587	Spring, Extension, .63 Dia x 4.95
57	735-04136	Pad, Pedal, Brake
58	731-05299A	Sleeve, .765 Id x 1.500
59	710-0216	Hex Cap Screw, 3/8-16 x .75
60	783-07295	Bracket, Mount
61	783-07347	Bracket, Belt
62	783-07350	Bracket, Support
63	634-0104-0911	Wheel Assembly
64	634-04369-0662	Rim Assembly, Plastic Bead, 46"
65	934-0255	Tubeless Air Valve
66	734-1730-0901	Tire, 20 x 8 x 8

46" Deck



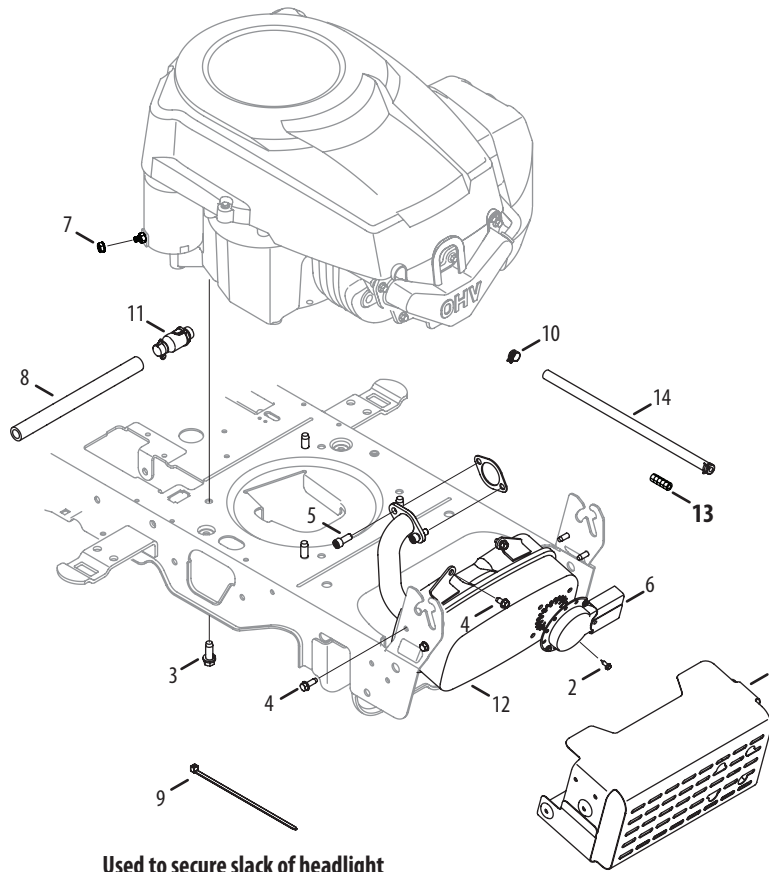
Ref.	Part Number	Description	Ref.	Part Number	Description
1	918-04865A	Spindle Ass'y, Pulley, 6.93 Dia	33	941-0919A	Ball Bearing, .787 ID x 1.85 OD x .551
2	683-0254B	Bracket Ass'y, Deck, Hanger LH	34	736-0262	Washer, Flat, .385 x .870 x .092
3	983-04511	Brake Ass'y, Deck	35	736-0317	Washer, Bell, .63 x 1.25 x .18
4	983-04525	Brake Ass'y, Deck	36	936-0344	Washer, Flat, .385 x 1.0 x .030
5	983-04578B	Deck Ass'y, Offset, 46" 2W	37	748-04272	Spacer, Shoulder, .50 x .145
6	710-04484	Screw, Self-tapping, 5/16-18, .750,	38	750-04936	Spacer, .792 x 1.060 x 1.860
7	710-0514	Hex Screw, 3/8-16, 1.00	39	738-04162C	Spacer, Shoulder, .8840 x .190
8	710-0528	Hex Screw, 5/16-18, 1.25	40	711-04847B	Hinge Pin
9	710-0599	Screw, Self-tapping, 1/4-20, 0.500,	41	938-3056	Bolt, Shoulder, .496 x 2.50, 3/8-16
10	783-08389	Pulley Cap	42	942-04290	Blade
11	710-0642	Screw, Self-tapping, 1/4-20, .75,	43	747-05323	Rod, Keeper, Belt
12	710-04669	Screw, #10-16:.625	44	747-04944B	Rod, Lift, Deck, Frt, 13.7
13	710-3144	Hex Screw, 3/8-16, 2.00	45	747-05011	Rod, Keeper, Belt
14	710-3178	Bolt, Carriage, 3/8-16, 0.75	46	747-05052A	Rod, Control, Brake
15	712-0229	Nut, Push, 3/8	47	756-04356	Pulley, Deck, 6.93 Dia
16	712-04063	Nut, Flange Lock, 5/16-18	48	747-1116	Rod, Handle, Deck Release
17	712-04065	Nut, Flange Lock, 3/8-16	49	731-07487	Deck Wash Nozzle
18	712-0417A	Nut, Flange, 5/8-18	50	738-04278	Shoulder Screw, 1/4-20 x 0.50
19	712-04243	Nut, Lock, 1/2-13	51	751B221535	Clamp, Casing
20	710-0376	Hex Cap Screw, 5/16-18 x 1.00	52	954-04219	Belt, V-Type
21	753-04070	Pin, Lynch, .1875	53	756-05042	Pulley, Idler, 4.25" Dia
22	714-04040	Bow-Tie Cotter Pin, 72	54	937-3000	Fitting, 3/16, Lnc#70, Drive Lube
23	917-04074	Gear, Deck, Adjustment	55	738-1186A	Shift, Spindle, 6.11.
24	731-06496	Belt Cover	56	783-05946	Bracket, Idler, Pivot
25	932-0384	Spring, Extension, .62 Dia x 6.12	57	783-06243	Bracket, Cable, Deck Engage
26	732-04652	Spring, Comp, .535 OD x 1.751	58	783-06368A	Bracket, Guard, Belt, 4.25 Pulley
27	732-04840	Spring, Torsion, .992 I.D x 1.17 O.D	59	783-06643	Bracket, Support, Deck Stationary Idler
28	734-04155	Wheel, Deck, 5.0 Dia Ball	60	783-06074A	Bracket, Chute
29	936-0119	Washer, Lock, 5/16, Regular Duty	61	631-04288	Chute Ass'y, Deflector
30	921-04041	Water Nozzle Adaptor	62	732-04372	Torsion Spring, .44 ID x 2.0
31	936-0179	Washer, Flat, .531 x 1.25 x .100	63	710-1260A	Self Tapping Screw, 5/16-18 x .75
32	720-05010	Cap, .290 x .500	64	748-05029	Shoulder Spacer

Hood and Dash, 5 Style



Ref.	Part Number	Description
1	710-04484	Taptite Screw ,5/16-18:.750
2	710-0599	Taptite Screw ,1/4-20:0.500
3	710-0895	Hi-Lo Screw, 1/4-15:0.750
4	710-1017	Screw, 1/4-14:0.625
5	710-1611B	Taptite Screw ,5/16-18:0.750
6	714-04040	Bow Tie Cotter Pin
7	925-1649	Lamp Socket
8	731-06167	Dash Panel, No Sight Window
9	731-06639	Dash Lever
10	731-06642	Cruise Cover
11	747-05008	Control Rod
12	747-1196	Lever
13	783-04285F	RH Support Plate
14	783-04323F	LH Support Plate
15	951-12179B	Fuel Cap, EPA
16	710-04593	Taptite Screw ,5/16-18:0.375
17	710-0751	Hex Screw, 1/4-20:.620
18	712-04064	Flangelock Nut, 1/4-20
19	731-04949A	Grill Lens
20	731-05522A	Hood Scoop
21	738-04091A	Shoulder Screw, .43X.29:5/16-18
22	783-05454	Hood Pivot Bracket
23	783-05683	Hood
24	783-05685A	Grill
25	951-04308	Fuel Tank, EPA
26	731-1999	Choke Plug
27	925-06119	Key Switch Module
28	746-04364	Throttle/Choke Control
29	625-05002	Key, Assembly
30	925-04036C	Hour Meter
31	925-0963	Lamp
—	726-04096	Choke Hole Plug (Not Shown)

Engine Accessories, Single



Used to secure slack of headlight harness to hood hinge

Ref.	Part Number	Description
1	683-04549	Muffler Shield Assembly
2	710-0227	Screw, Indented Washer, #8-18:0.500
3	710-04683A	Taptite Screw, 3/8-16:1.000
4	710-0599	Taptite Screw, 1/4-20:0.500
5	710-1314A	Socket Head Screw, 5/16-18:.750
6	751-11053A	Long Muffler Deflector
7	712-0271	Sems Nut, 1/4-20
8	751-3141-14	Extension Hose, Oil Drain
9	725-0157	Cable Tie, 3/16 x .05 x 7.4
10	726-0205	Hose Clamp, .490 DIA.
11	951-10517A	Oil Drain
12	751-11943A	Muffler, Kohler
13	751-12089-28	Hose, Vent
14	751-10349	Fuel Hose

Lined writing area consisting of 20 horizontal lines for notes.



To order replacement parts or locate your nearest service dealer call a Customer Support at (800) 800-7310.
or visit www.mtdproducts.com to find the nearest authorized dealer in your area.

MTD LLC, P.O. BOX 361131 CLEVELAND, OHIO 44136-0019
