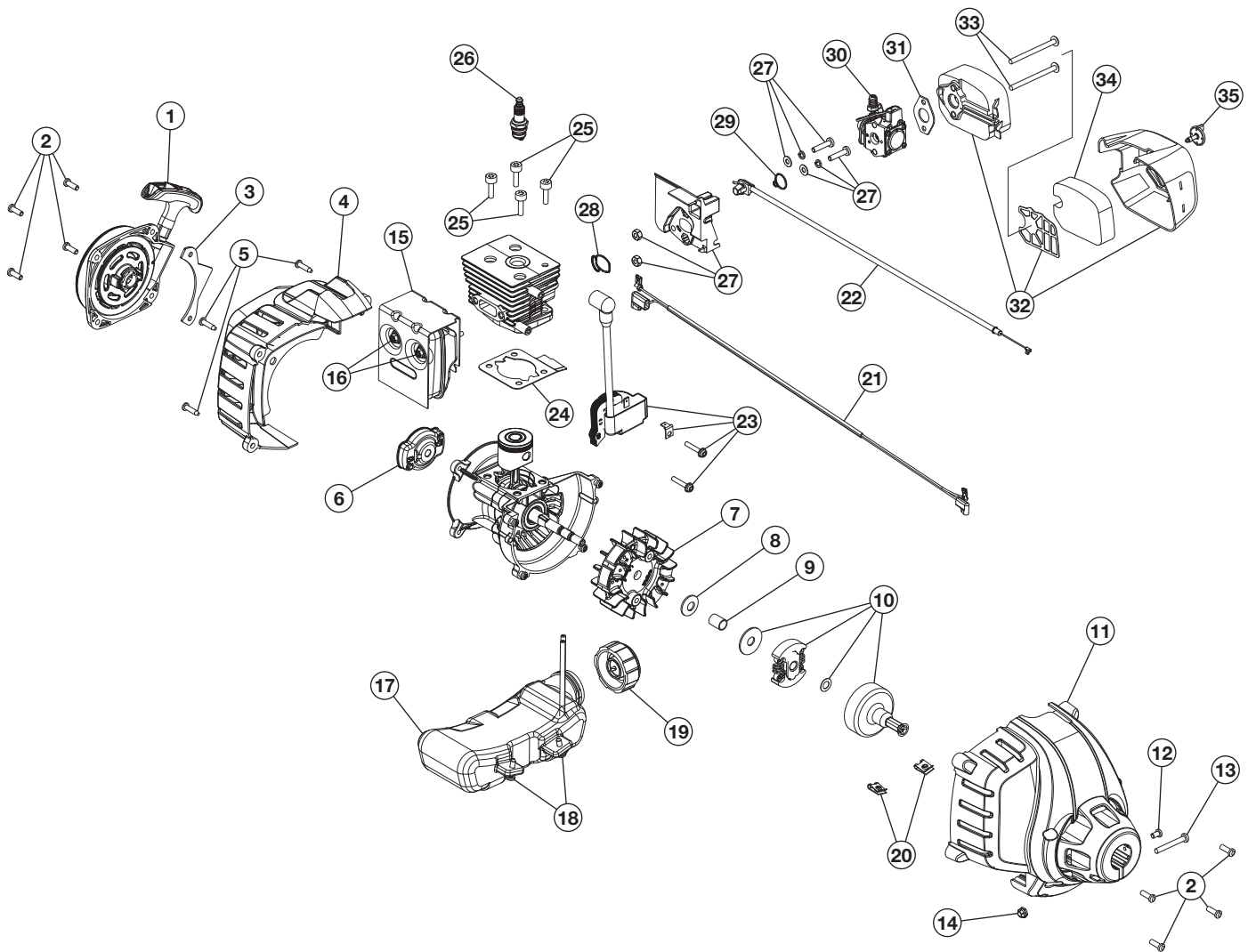


# REPLACEMENT PARTS - MODEL BC280

## 2-CYCLE TRIMMER / BRUSHCUTTER

PPN 41ADZ28C912



Item	Part No.	Description
1	753-06829	Starter Assembly (includes 2 & 3)
2	791-181862	Starter Screw
3	753-06244	Starter Assembly Guard (includes 2)
4	753-06245	Rear Engine Cover (includes 5)
5	791-181345	Cover Screw
6	753-06091	Pawl Assembly
7	753-06246	Flywheel Assembly
8	753-06247	Washer
9	753-06248	Spacer
10	753-05860	Clutch Assembly
11	753-06891	Clutch Cover Assembly (includes 2, 12 -14 & 20)
12	791-182519	Anti-Rotation Screw
13	753-04003	Clamp Screw
14	791-180217	Clamp Nut
15	753-06418	Muffler Assembly (includes 16)
16	753-06294	Muffler Screw
17	753-06250	Fuel Tank Assembly (includes 18 and 19)
18	791-181930	Tank Screw
19	753-06857	Fuel Cap
20	791-182366	U-shaped Nut

Item	Part No.	Description
21	753-05877	Lead Wires
22	753-06570	Throttle Cable
23	753-06892	Module Assembly
24	753-06827	Cylinder Gasket
25	753-05703	Cylinder Bolt
26	753-06193	Spark Plug
27	753-06189	Insulator Assembly (includes 28 and 29)
28	753-06184	Insulator O-Ring
29	753-06185	Carburetor O-Ring
30	753-06190	Carburetor
31	753-06253	Carburetor Gasket
32	753-06913	Air Cleaner Assembly
33	753-05253	Screw
34	753-06954	Air Cleaner Filter
35	753-06838	Knob

Items Not Shown

*	753-06508	Short Block Assembly (includes Crankcase, Cylinder, Piston, 7 - 10, 24 - 27)
*	753-04619	Muffler gasket

# REPLACEMENT PARTS - MODEL BC280

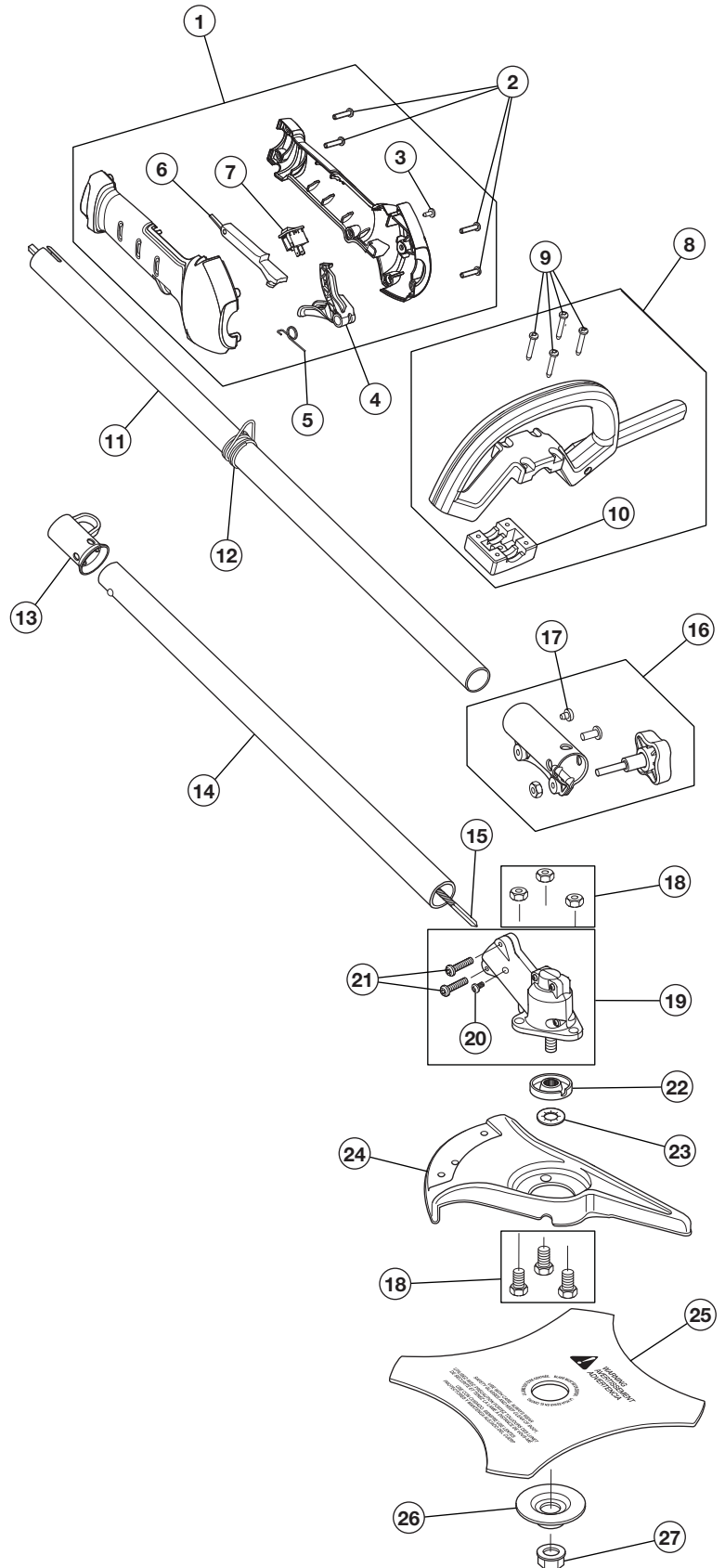
## 2-CYCLE TRIMMER / BRUSHCUTTER

PPN 41ADZ28C912

Item	Part No.	Description
1	753-06894	Throttle Grip Assembly (includes 2 - 7)
2	753-05274	Screw
3	791-182519	Anti-Rotation Screw
4	753-06895	Throttle Trigger
5	753-05007	Throttle Trigger Spring
6	753-06896	Lockout
7	791-182405	Switch
8	753-05008	D-Handle Assembly (Includes 9)
9	791-181070	Screw
10	791-182168	D-Handle Base
11	753-06682	Upper Drive Shaft Assembly
12	791-610327	Harness Clip
13	731-08926	Hanger
14	753-06789	Lower Drive Shaft Housing Assembly
15	753-05267	Lower Flexible Drive Shaft
16	753-06585	Split Boom Coupler Assembly (includes 18 and 19)
17	791-182057	Screw
18	791-182200	Shield Mount Screw Assembly
19	791-182193	2 Piece Gearbox Assembly (includes 20 and 21)
20	791-182519	Anti-Rotation Screw
21	791-182195	Gearbox Mounting Hardware
22	791-182196	Blade Driver
23	753-04348	Palnut
24	791-147492	Blade Shield/Shield Mount
25	791-145873B	4-Tooth Blade
26	791-147490	Retaining Washer
27	791-181699	Nut

\* Items Not Shown

- \* 791-682075B Shoulder Harness
- \* 791-180014B Blade Retaining Kit (includes 26 and 27)
- \* 791-613226 Locking Rod Tool
- \* 791-612605 Hanger



# REPLACEMENT PARTS - MODEL BC280

## 2-CYCLE TRIMMER / BRUSHCUTTER

PPN 41ADZ28C912

Item	Part No.	Description
1	731-08926	Hanger
2	753-06789	Lower Drive Shaft Housing Assembly
3	753-06125	Shield Mounting Screws
4	753-08192	Lower Flexible Drive Shaft
5	753-08180	Gear Box Assembly
6	791-182519	Anti-Rotation Screw
7	791-182195	Gearbox Mounting Hardware
8	753-08193	Cutting Head Assembly (includes 9 and 10)
9	753-08191	Shaft Extension
10	753-08170	Glide Cap
11	753-08177	Shield Assembly (includes 12)
12	753-08178	Blade Assembly

