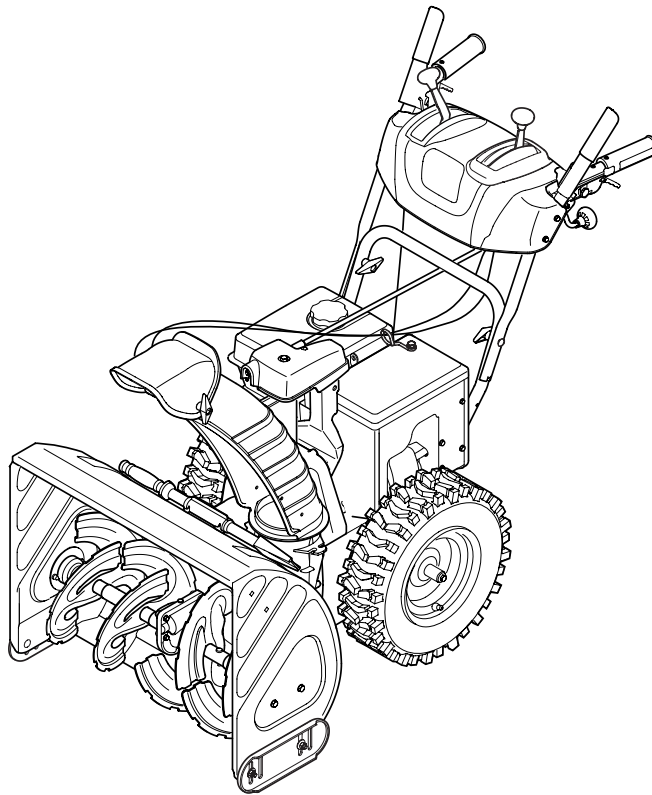


MTD GOLD

OPERATOR'S MANUAL



Two-Stage Snow Thrower — 500 & 600 Series

WARNING

**READ AND FOLLOW ALL SAFETY RULES AND INSTRUCTIONS IN THIS MANUAL
BEFORE ATTEMPTING TO OPERATE THIS MACHINE.
FAILURE TO COMPLY WITH THESE INSTRUCTIONS MAY RESULT IN PERSONAL INJURY.**

P. O. Box 1386, 97 KENT AVENUE, KITCHENER, ON N2G 4J1

Thank You

Thank you for purchasing your new equipment. It was carefully engineered to provide excellent performance when properly operated and maintained.

Please read this entire manual prior to operating the equipment. It instructs you how to safely and easily set up, operate and maintain your machine. Please be sure that you, and any other persons who will operate the machine, carefully follow the recommended safety practices at all times. Failure to do so could result in personal injury or property damage.

All information in this manual is relative to the most recent product information available at the time of printing. Review this manual frequently to familiarize yourself with the machine, its features and operation. Please be aware that this Operator's Manual may cover a range of product specifications for various models. Characteristics and features discussed and/or illustrated in this manual may not be applicable to all models.

The manufacturer reserves the right to change product specifications, designs and equipment without notice and without incurring obligation.

If you have any problems or questions concerning the machine, phone your local service dealer or contact us directly. Customer Support telephone numbers, website address and mailing address can be found on this page. We want to ensure your complete satisfaction at all times.

Throughout this manual, all references to *right* and *left* side of the machine are observed from the operating position.

The engine manufacturer is responsible for all engine-related issues with regards to performance, power-rating, specifications, warranty and service. Please refer to the engine manufacturer's Owner's/Operator's Manual, packed separately with your machine, for more information.

Table of Contents

<i>Safe Operation Practices</i>	3	<i>Service</i>	19
<i>Assembly & Set-Up</i>	7	<i>Troubleshooting</i>	23
<i>Controls</i>	12	<i>Replacement Parts</i>	24
<i>Operation</i>	15	<i>Warranty</i>	25
<i>Maintenance & Adjustment</i>	16		

Record Product Information

Before setting up and operating your new equipment, please locate the model plate on the equipment and record the information in the provided area to the right. You can locate the model plate by standing at the operator's position and looking down at the rear of the frame. This information will be necessary, should you seek technical support via our web site, Customer Support Department, or with a local authorized service dealer.

MODEL NUMBER

--	--	--	--	--	--	--	--	--	--	--	--

SERIAL NUMBER

--	--	--	--	--	--	--	--	--	--	--	--

Customer Support

Please do NOT return the unit to the retailer from which it was purchased, without first contacting Customer Support.

If you have difficulty assembling this product or have any questions regarding the controls, operation, or maintenance of this machine, you can seek help from the experts. Choose from the options below:

- ◇ Visit our web at www.mtdcanada.ca
- ◇ Locate your nearest dealer from Customer Support: 1-800-668-1238
- ◇ Contact MTD CANADA • P.O. Box 1386 • 97 Kent Avenue • Kitchener, Ontario, Canada • N2G 4J1



WARNING! This symbol points out important safety instructions which, if not followed, could endanger the personal safety and/or property of yourself and others. Read and follow all instructions in this manual before attempting to operate this machine. Failure to comply with these instructions may result in personal injury. When you see this symbol. **HEED ITS WARNING!**

CALIFORNIA PROPOSITION 65



WARNING! Engine Exhaust, some of its constituents, and certain vehicle components contain or emit chemicals known to State of California to cause cancer and birth defects or other reproductive harm.



DANGER: This machine was built to be operated according to the safe operation practices in this manual. As with any type of power equipment, carelessness or error on the part of the operator can result in serious injury. This machine is capable of amputating fingers, hands, toes and feet and throwing foreign objects. Failure to observe the following safety instructions could result in serious injury or death.

Training

1. Read, understand, and follow all instructions on the machine and in the manual(s) before attempting to assemble and operate. Keep this manual in a safe place for future and regular reference and for ordering replacement parts.
2. Be familiar with all controls and their proper operation. Know how to stop the machine and disengage them quickly.
3. Never allow children under 14 years of age to operate this machine. Children 14 and over should read and understand the instructions and safe operation practices in this manual and on the machine and be trained and supervised by an adult.
4. Never allow adults to operate this machine without proper instruction.
5. Thrown objects can cause serious personal injury. Plan your snow-throwing pattern to avoid discharge of material toward roads, bystanders and the like.
6. Keep bystanders, pets and children at least 75 feet from the machine while it is in operation. Stop machine if anyone enters the area.
7. Exercise caution to avoid slipping or falling, especially when operating in reverse.

Preparation

Thoroughly inspect the area where the equipment is to be used. Remove all doormats, newspapers, sleds, boards, wires and other foreign objects, which could be tripped over or thrown by the auger/impeller.

1. Always wear safety glasses or eye shields during operation and while performing an adjustment or repair to protect your eyes. Thrown objects which ricochet can cause serious injury to the eyes.
2. Do not operate without wearing adequate winter outer garments. Do not wear jewelry, long scarves or other loose clothing, which could become entangled in moving parts. Wear footwear which will improve footing on slippery surfaces.
3. Use a grounded three-wire extension cord and receptacle for all machines with electric start engines.
4. Adjust auger housing height to clear gravel or crushed rock surfaces.
5. Disengage all control levers before starting the engine.
6. Never attempt to make any adjustments while engine is running, except where specifically recommended in the operator's manual.
7. Let engine and machine adjust to outdoor temperature before starting to clear snow.

Safe Handling of Gasoline

To avoid personal injury or property damage use extreme care in handling gasoline. Gasoline is extremely flammable and the vapors are explosive. Serious personal injury can occur when gasoline is spilled on yourself or your clothes which can ignite. Wash your skin and change clothes immediately.

- a. Use only an approved gasoline container.
- b. Extinguish all cigarettes, cigars, pipes and other sources of ignition.
- c. Never fuel machine indoors.
- d. Never remove gas cap or add fuel while the engine is hot or running.
- e. Allow engine to cool at least two minutes before refueling.
- f. Never over fill fuel tank. Fill tank to no more than ½ inch below bottom of filler neck to provide space for fuel expansion.
- g. Replace gasoline cap and tighten securely.
- h. If gasoline is spilled, wipe it off the engine and equipment. Move machine to another area. Wait 5 minutes before starting the engine.
- i. Never store the machine or fuel container inside where there is an open flame, spark or pilot light (e.g. furnace, water heater, space heater, clothes dryer etc.).
- j. Allow machine to cool at least 5 minutes before storing.
- k. Never fill containers inside a vehicle or on a truck or trailer bed with a plastic liner. Always place containers on the ground away from your vehicle before filling.
- l. If possible, remove gas-powered equipment from the truck or trailer and refuel it on the ground. If this is not possible, then refuel such equipment on a trailer with a portable container, rather than from a gasoline dispenser nozzle.
- m. Keep the nozzle in contact with the rim of the fuel tank or container opening at all times until fueling is complete. Do not use a nozzle lock-open device.

Operation

1. Do not put hands or feet near rotating parts, in the auger/impeller housing or chute assembly. Contact with the rotating parts can amputate hands and feet.
2. The auger/impeller control lever is a safety device. Never bypass its operation. Doing so makes the machine unsafe and may cause personal injury.
3. The control levers must operate easily in both directions and automatically return to the disengaged position when released.
4. Never operate with a missing or damaged chute assembly. Keep all safety devices in place and working.
5. Never run an engine indoors or in a poorly ventilated area. Engine exhaust contains carbon monoxide, an odorless and deadly gas.
6. Do not operate machine while under the influence of alcohol or drugs.
7. Muffler and engine become hot and can cause a burn. Do not touch. Keep children away.
8. Exercise extreme caution when operating on or crossing gravel surfaces. Stay alert for hidden hazards or traffic.
9. Exercise caution when changing direction and while operating on slopes. Do not operate on steep slopes.
10. Plan your snow-throwing pattern to avoid discharge towards windows, walls, cars etc. Thus, avoiding possible property damage or personal injury caused by a ricochet.
11. Never direct discharge at children, bystanders and pets or allow anyone in front of the machine.
12. Do not overload machine capacity by attempting to clear snow at too fast of a rate.
13. Never operate this machine without good visibility or light. Always be sure of your footing and keep a firm hold on the handles. Walk, never run.
14. Disengage power to the auger/impeller when transporting or not in use.
15. Never operate machine at high transport speeds on slippery surfaces. Look down and behind and use care when backing up.
16. If the machine should start to vibrate abnormally, stop the engine, disconnect the spark plug wire and ground it against the engine. Inspect thoroughly for damage. Repair any damage before starting and operating.
17. Disengage all control levers and stop engine before you leave the operating position (behind the handles). Wait until the auger/impeller comes to a complete stop before unclogging the chute assembly, making any adjustments, or inspections.
18. Never put your hand in the discharge or collector openings. Always use the clean-out tool provided to unclog the discharge opening. Do not unclog chute assembly while engine is running. Shut off engine and remain behind handles until all moving parts have stopped before unclogging.
19. Use only attachments and accessories approved by the manufacturer (e.g. wheel weights, tire chains, cabs etc.).
20. When starting engine, pull cord slowly until resistance is felt, then pull rapidly. Rapid retraction of starter cord (kickback) will pull hand and arm toward engine faster than you can let go. Broken bones, fractures, bruises or sprains could result.
21. If situations occur which are not covered in this manual, use care and good judgment. Contact Customer Support for assistance and the name of your nearest servicing dealer.

Clearing a Clogged Discharge Chute

Hand contact with the rotating impeller inside the discharge chute is the most common cause of injury associated with snow throwers. Never use your hand to clean out the discharge chute.

To clear the chute:

1. SHUT THE ENGINE OFF!
2. Wait 10 seconds to be sure the impeller blades have stopped rotating.
3. Always use a clean-out tool, not your hands.

Maintenance & Storage

1. Never tamper with safety devices. Check their proper operation regularly. Refer to the maintenance and adjustment sections of this manual.
2. Before cleaning, repairing, or inspecting machine disengage all control levers and stop the engine. Wait until the auger/impeller come to a complete stop. Disconnect the spark plug wire and ground against the engine to prevent unintended starting.
3. Check bolts and screws for proper tightness at frequent intervals to keep the machine in safe working condition. Also, visually inspect machine for any damage.
4. Do not change the engine governor setting or over-speed the engine. The governor controls the maximum safe operating speed of the engine.
5. Snow thrower shave plates and skid shoes are subject to wear and damage. For your safety protection, frequently check all components and replace with original equipment manufacturer's (OEM) parts only. "Use of parts which do not meet the original equipment specifications may lead to improper performance and compromise safety!"
6. Check control levers periodically to verify they engage and disengage properly and adjust, if necessary. Refer to the adjustment section in this operator's manual for instructions.
7. Maintain or replace safety and instruction labels, as necessary.
8. Observe proper disposal laws and regulations for gas, oil, etc. to protect the environment.
9. Prior to storing, run machine a few minutes to clear snow from machine and prevent freeze up of auger/impeller.
10. Never store the machine or fuel container inside where there is an open flame, spark or pilot light such as a water heater, furnace, clothes dryer etc.
11. Always refer to the operator's manual for proper instructions on off-season storage.
12. Check fuel line, tank, cap, and fittings frequently for cracks or leaks. Replace if necessary.
13. Do not crank engine with spark plug removed.

14. According to the Consumer Products Safety Commission (CPSC) and the U.S. Environmental Protection Agency (EPA), this product has an *Average Useful Life* of seven (7) years, or 60 hours of operation. At the end of the *Average Useful Life* have the machine inspected annually by an authorized service dealer to ensure that all mechanical and safety systems are working properly and not worn excessively. Failure to do so can result in accidents, injuries or death.

Do not modify engine

To avoid serious injury or death, do not modify engine in any way. Tampering with the governor setting can lead to a runaway engine and cause it to operate at unsafe speeds. Never tamper with factory setting of engine governor.

Notice Regarding Emissions

Engines which are certified to comply with California and federal EPA emission regulations for SORE (Small Off Road Equipment) are certified to operate on regular unleaded gasoline, and may include the following emission control systems: Engine Modification (EM), Oxidizing Catalyst (OC), Secondary Air Injection (SAI) and Three Way Catalyst (TWC) if so equipped.

Spark Arrestor







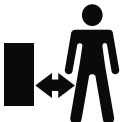





WARNING! This machine is equipped with an internal combustion engine and should not be used on or near any unimproved forest-covered, brush covered or grass-covered land unless the engine's exhaust system is equipped with a spark arrester meeting applicable local or state laws (if any).

If a spark arrester is used, it should be maintained in effective working order by the operator.

A spark arrester for the muffler is available through your nearest engine authorized service dealer.

Safety Symbols

This page depicts and describes safety symbols that may appear on this product. Read, understand, and follow all instructions on the machine before attempting to assemble and operate.

Symbol	Description
	READ THE OPERATOR'S MANUAL(S) Read, understand, and follow all instructions in the manual(s) before attempting to assemble and operate
	WARNING— WEAR EYE AND HEARING PROTECTION Thrown objects and loud noise can cause severe eye injury and hearing loss. Wear ear protection meeting ANSI Z87.1 standards and ear protection when operating this machine.
	WARNING— ROTATING BLADES Keep hands out of inlet and discharge openings while machine is running. There are rotating blades inside
	WARNING— ROTATING AUGER Do not put hands or feet near rotating parts, in the auger/impeller housing or chute assembly. Contact with the rotating parts can amputate hands and feet.
	WARNING— KEEP BYSTANDERS AWAY Keep all bystanders, especially children, away from the operating area.
	WARNING—THROWN OBJECTS This machine may pick up and throw objects which can cause serious personal injury.
	WARNING—GASOLINE IS FLAMMABLE Allow the engine to cool at least two minutes before refueling.
	WARNING— CARBON MONOXIDE Never run an engine indoors or in a poorly ventilated area. Engine exhaust contains carbon monoxide, an odorless and deadly gas.
	WARNING— ELECTRICAL SHOCK Do not use the engine's electric starter in the rain
	WARNING— HOT SURFACE Engine parts, especially the muffler, become extremely hot during operation. Allow engine and muffler to cool before touching.



WARNING! Your Responsibility—Restrict the use of this power machine to persons who read, understand and follow the warnings and instructions in this manual and on the machine.

SAVE THESE INSTRUCTIONS!

IMPORTANT: The snow thrower is shipped with oil and WITHOUT GASOLINE. After assembly, refer to separate engine manual for proper fuel and engine oil recommendations.

NOTE: Remove all loose parts and any packing material before assembling.

NOTE: References to right or left side of the snow thrower are determined from behind the unit in the operating position.

NOTE: This Operator's Manual covers several models, handle panels, lights and chute cranks are some features that may vary by model. Not all features referenced (or engines pictured) in this manual are applicable to all snow thrower models.

NOTE: Replacement auger shear pins are included with this manual (or stowed in the plastic handle panel). Refer to Augers in the Maintenance Section for more information regarding shear pin replacement.

NOTE: Some models with electric start are equipped with an extension cord fastened with a cable tie to the rear of the auger housing for shipping purposes. Cut the cable tie and remove it before operating the snow thrower.

Handle Assembly

- Place the shift lever in the Forward-6 position.
- Observe the lower rear area of the snow thrower to be sure both cables are aligned with roller guides. See Fig. 3-1. Pull up on the upper handle, align the upper handle with the lower handle. See Fig. 3-2.
- Secure the handle by tightening the plastic wing knob located on both the left and right sides of the handle. Remove and discard any rubber bands, if present. They are for packaging purposes only.

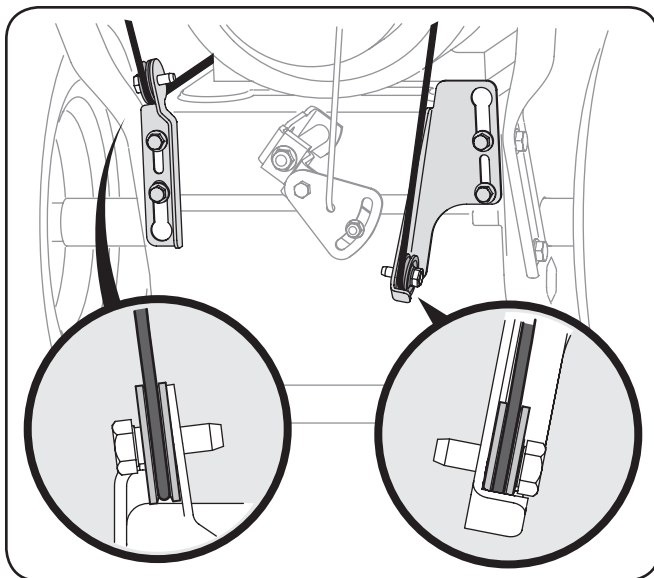


Fig. 3-1

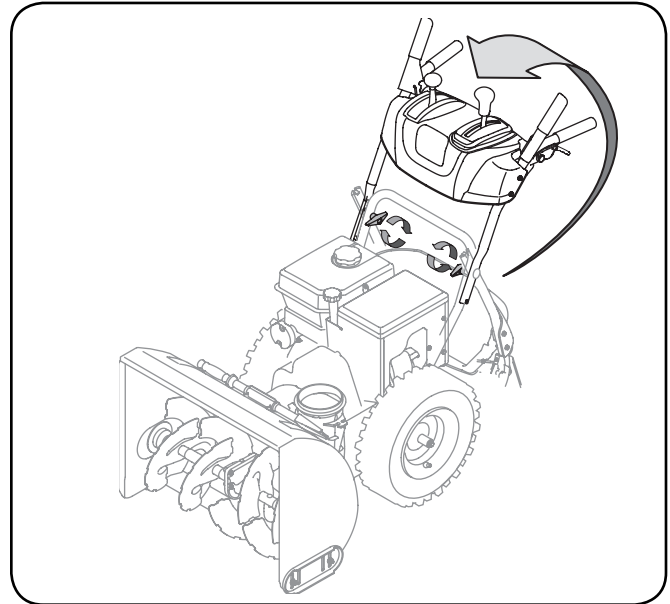


Fig. 3-2

Chute Assembly

- Remove wing nut and hex screw from chute control assembly and clevis pin and cotter pin from chute support bracket. See Fig. 3-3. Position the chute assembly (forward-facing) over the chute base.

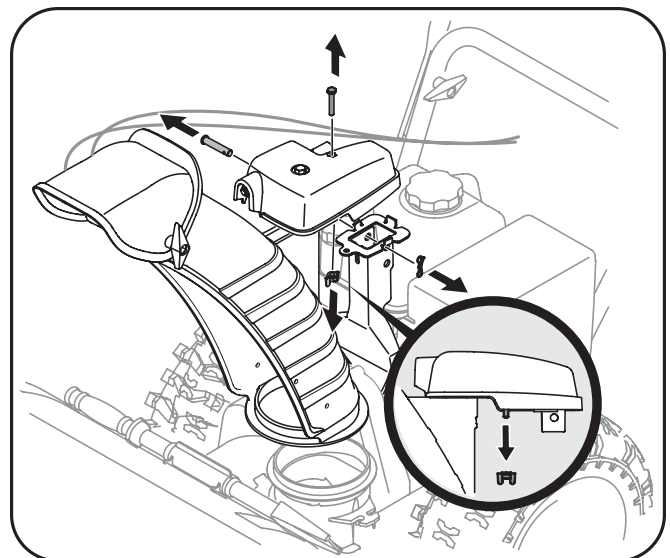


Fig. 3-3

- Place chute assembly onto chute base and secure chute control assembly to chute support bracket with clevis pin and cotter pin removed earlier. See Fig. 3-4.

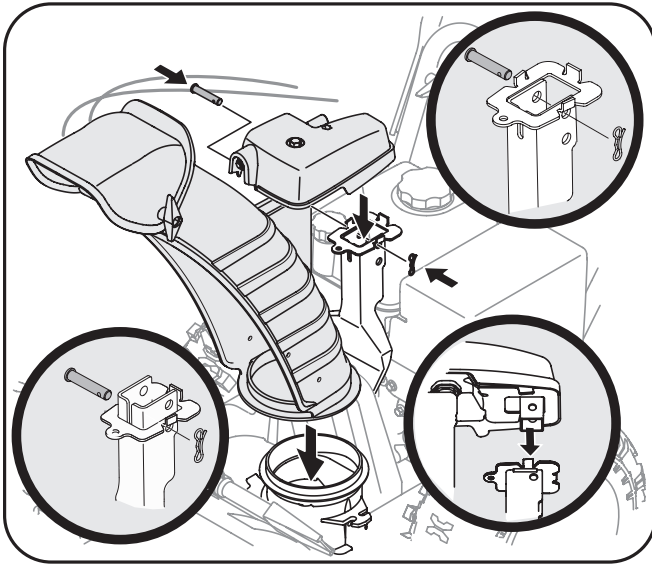


Fig. 3-4

- Finish securing chute control assembly to chute support bracket with wing nut and hex screw removed earlier. See Fig. 3-5.

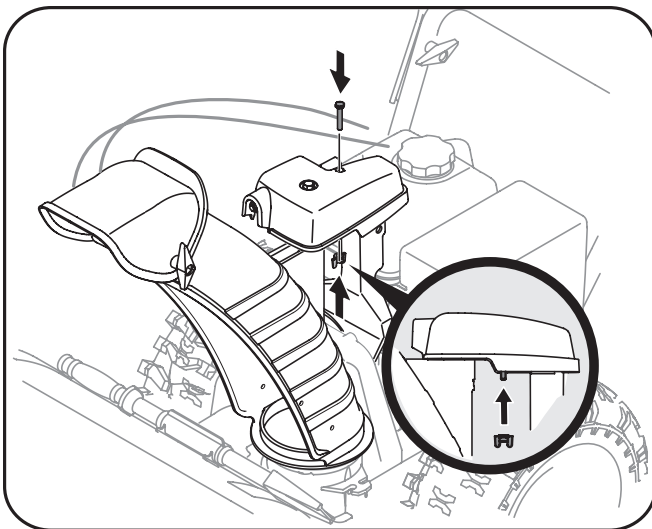


Fig. 3-5

- Guide the chute crank rod through the bracket located on the rear of the handle panel. See Fig. 3-6.
 - Remove the cotter pin and insert the chute crank rod into the connector on the chute control assembly. See Fig. 3-7.
 - Align the hole in the chute crank rod with the hole in the connector, secure with cotter pin previously removed.
- Check that all cables (if equipped) are properly routed through the cable guide on the right side of the chute crank rod. See Fig. 3-8.

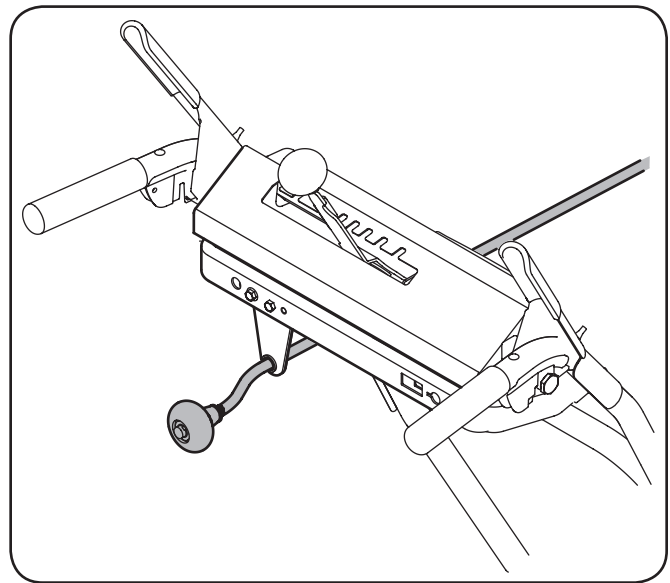


Fig. 3-6

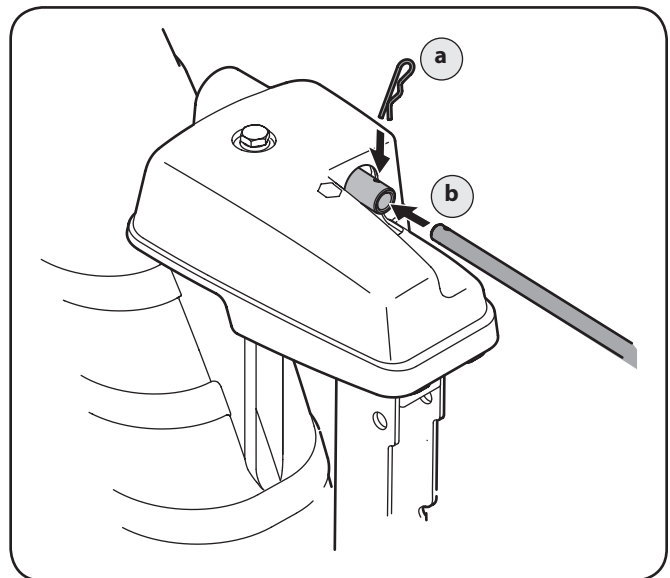


Fig. 3-7

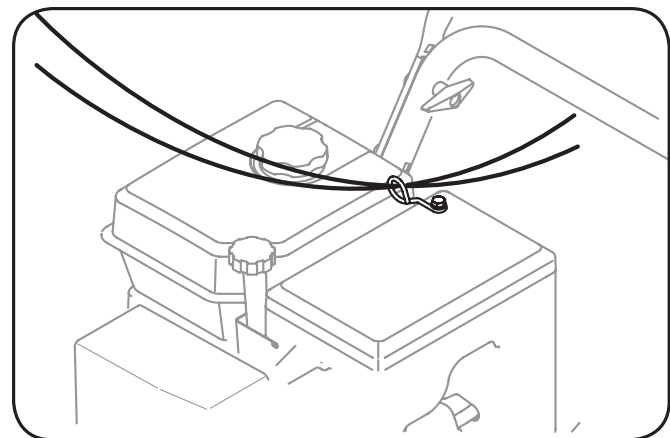


Fig. 3-8

Drift Cutters (If Equipped)

Drift cutters should be used when operating the snow thrower in heavy drift conditions.

- On models so equipped, drift cutters and hardware are assembled to the auger housing inverted.
- Remove the carriage bolts and wingnuts securing the drift cutters to the housing.
- Reposition drift cutters so they face forward as shown in Fig. 3-9. Secure with hardware previously removed, wingnuts should be fastened on the **outside** of the housing as shown.

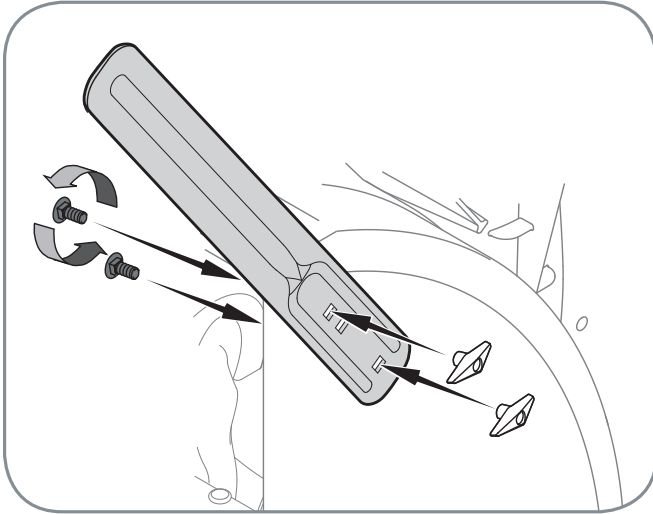


Fig. 3-9

Clean-Out Tool

The clean-out tool is mounted to the rear of the auger housing and is designed to clear a clogged chute. Refer to page 13 for instructions on how to properly use it.

NOTE: This item is fastened with a cable tie to the rear of the auger housing at the factory. Cut the cable tie before operating the snow thrower. See Fig. 3-10.

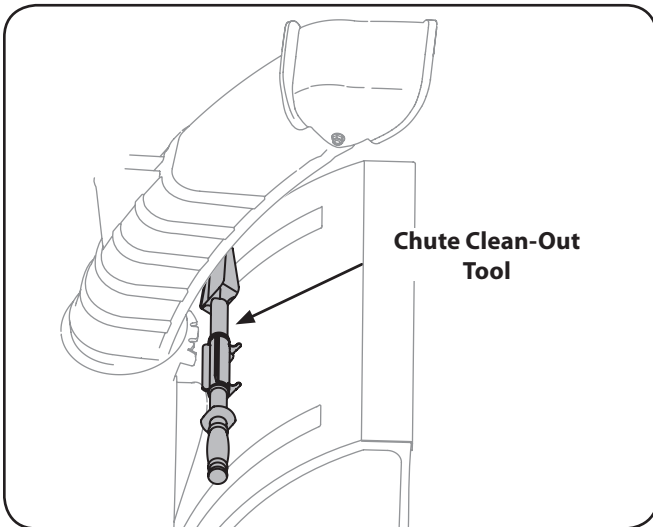


Fig. 3-10



WARNING: Never use your hands to clean snow and ice from the chute assembly or auger housing.

Lamp Wiring Harness (If equipped)

The post on the cable tie attaching the lamp wiring harness to the lower handle should be plugged into the hole in the lower handle. Pull the slack portion of the wiring harness through the cable tie to prevent interference with the recoil starter handle. See Fig. 3-11.

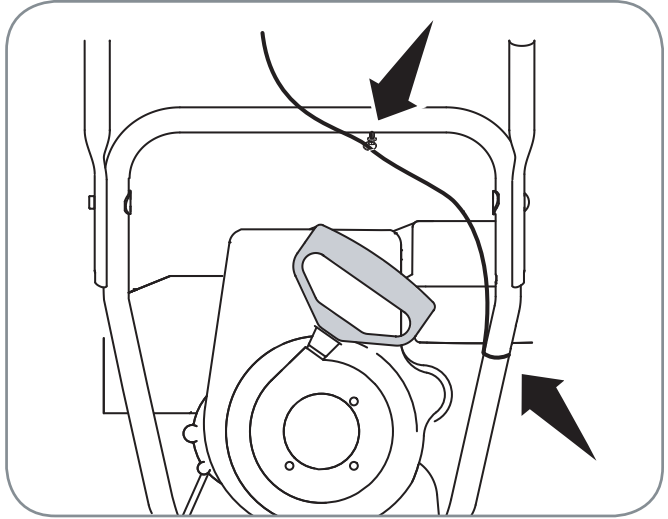


Fig. 3-11

Tire Pressure

The tires are over-inflated for shipping purposes. Check the tire pressure before operating the snow thrower. Refer to the tire side wall for tire manufacturer's recommended psi and deflate (or inflate) the tires as necessary.



WARNING: Under any circumstance do not exceed manufacturer's recommended psi. Equal tire pressure should be maintained at all times. Excessive pressure when seating beads may cause tire/rim assembly to burst with force sufficient to cause serious injury. Refer to sidewall of tire for recommended pressure.

NOTE: Equal tire pressure is to be maintained at all times for performance purposes.

Adjustment

Chute Assembly (optional)

The distance snow is thrown can be adjusted by changing the angle of the chute assembly. To do so:

1. Stop the engine as instructed in the separate engine manual and wait until all moving parts have come to a complete stop.
2. Loosen the plastic wing knob found on the left side of the chute assembly.
3. Pivot the chute upward or downward before retightening the wing knob. See Fig. 3-12.

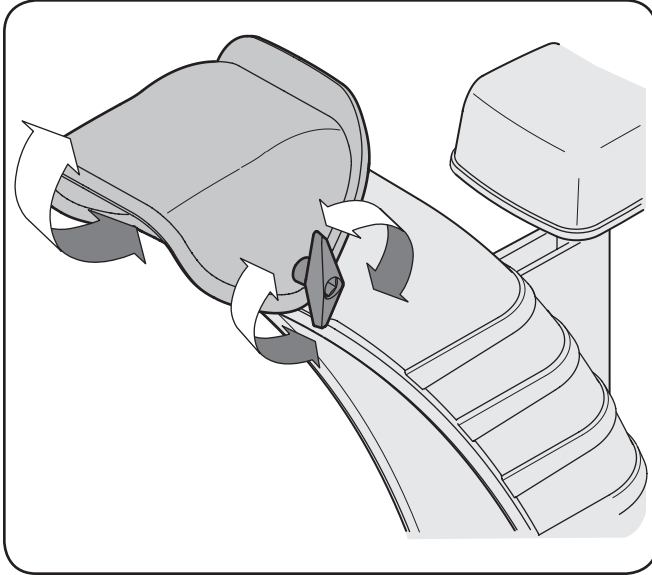


Fig. 3-12

Skid Shoes

The snow thrower skid shoes are adjusted upward at the factory for shipping purposes. Adjust them downward, if desired, prior to operating the snow thrower.

CAUTION: It is not recommended that you operate this snow thrower on gravel as it can easily pick up and throw loose gravel, causing personal injury or damage to the snow thrower and surrounding property.

- For close snow removal on a smooth surface, raise skid shoes higher on the auger housing.
- Use a middle or lower position when the area to be cleared is uneven, such as a gravel driveway.

NOTE: If you choose to operate the snow thrower on a gravel surface, keep the skid shoes in position for maximum clearance between the ground and the shave plate.

To adjust the skid shoes:

1. Loosen the four hex nuts (two on each side) and carriage bolts. Move skid shoes to desired position. See Fig. 3-13.
2. Make certain the entire bottom surface of skid shoe is against the ground to avoid uneven wear on the skid shoes.
3. Retighten nuts and bolts securely.

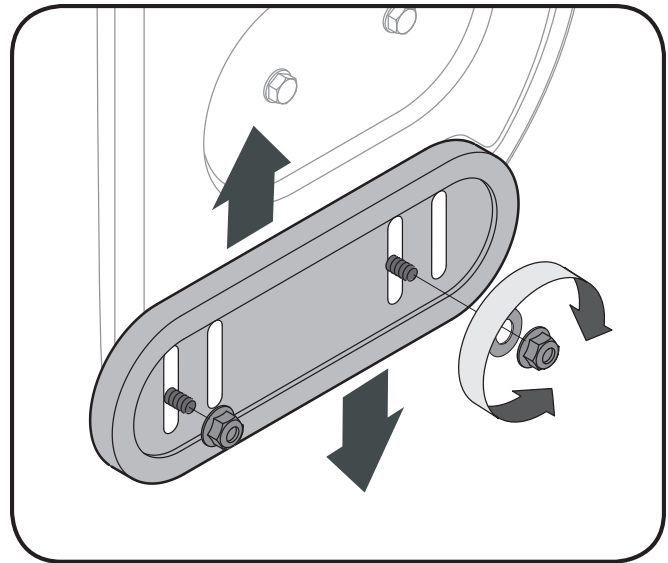


Fig. 3-13

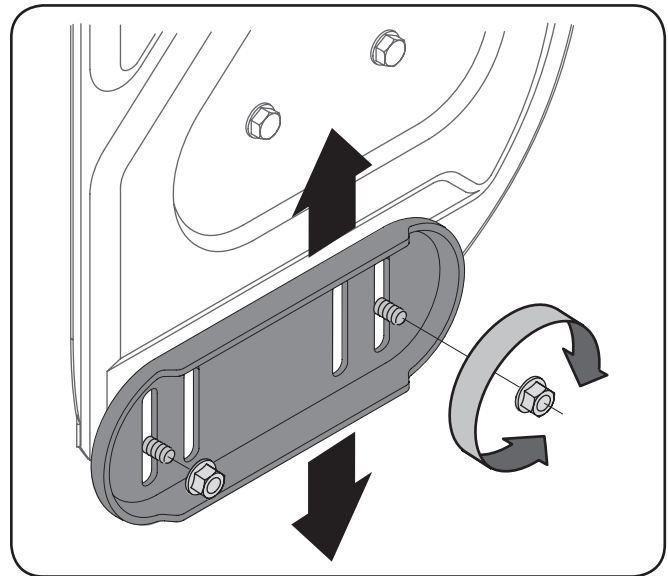


Fig. 3-14

NOTE: Some models are equipped with reversible skid shoes and may be turned over to increase their lifespan.

Auger Control Test



WARNING : Prior to operating your snow thrower, carefully read and follow all instructions below. Perform all adjustments to verify your unit is operating safely and properly.

Perform the following test before operating your snow thrower for the first time and at the start of each winter.

Check the adjustment of the auger control as follows:

1. When the auger control is released and in the disengaged “up” position, the cable should have very little slack. It should NOT be tight.
2. In a well-ventilated area, start the snow thrower engine as instructed in the separate engine manual.
3. While standing in the operator’s position (behind the snow thrower), engage the auger.
4. Allow the auger to remain engaged for approximately ten (10) seconds before releasing the auger control. Repeat this several times.
5. With the auger control in the disengaged “up” position, walk to the front of the machine.
6. Confirm that the auger has completely stopped rotating and shows NO signs of motion. If the auger shows ANY signs of rotating, immediately return to the operator’s position and shut off the engine. Wait for ALL moving parts to stop before re-adjusting the auger control.
7. To readjust the control cable, loosen the upper hex screw on the auger cable bracket.
8. Position the bracket upward to provide more slack (or downward to increase cable tension). See Fig. 3-15.
9. Retighten the upper hex screw.
10. Repeat Auger Control Test to verify proper adjustment has been achieved.

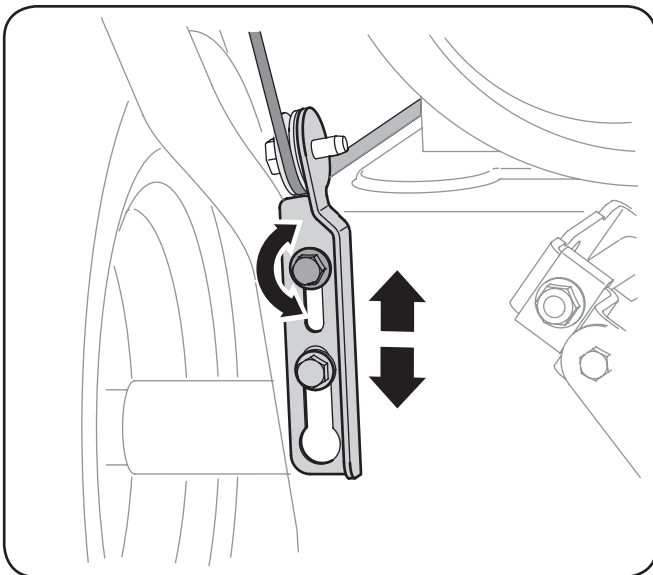


Fig. 3-15

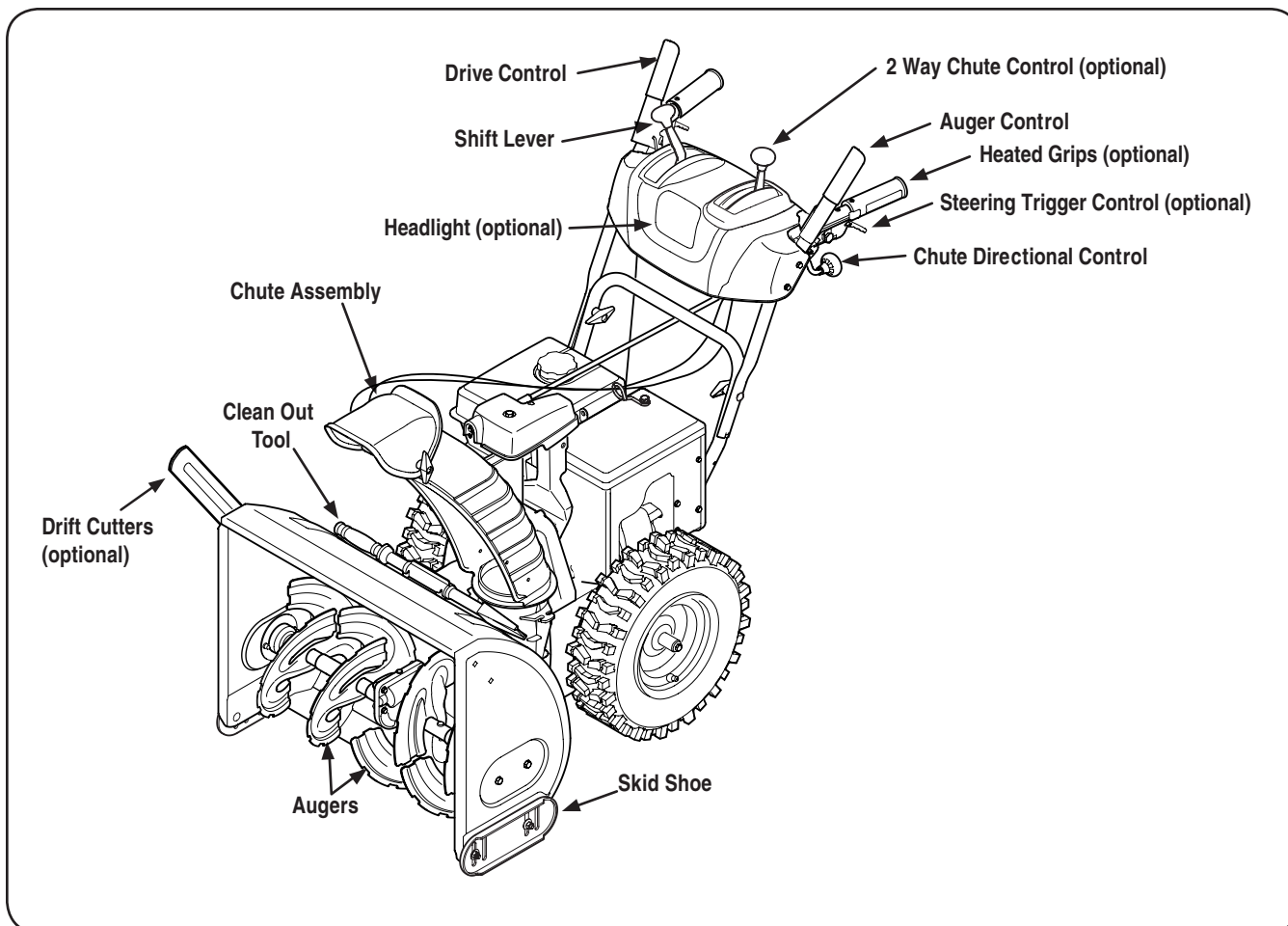


Fig. 4-1

Snow thrower controls and features are described below and illustrated in Fig. 4-1.

Shift Lever

The shift lever is located on the handle panel and is used to determine ground speed and direction of travel.

Forward

There are six forward (F) speeds. Position one (1) is the slowest and position six (6) is the fastest.

Reverse

There are two reverse (R) speeds. One (1) is the slower and two (2) is the faster.

Skid Shoes

Position the skid shoes based on surface conditions . Adjust upward for hard-packed snow. Adjust downward when operating on gravel or crushed rock surfaces.

Augers

When engaged, the augers rotate and draw snow into the auger housing.

Chute Assembly

Snow drawn into the auger housing is discharged out the chute assembly.

Headlight (if so equipped)

The headlight is on whenever the engine is running.

Drift Cutters (if so equipped)

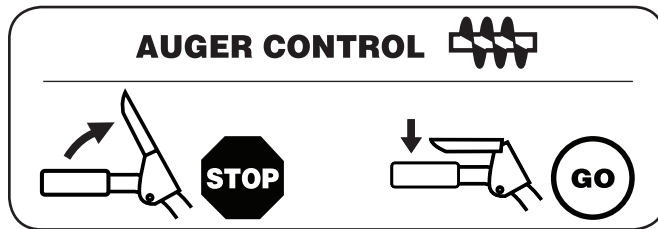
The drift cutters are designed for use in deep snow. Their use is optional for normal snow conditions. Maneuver the snow thrower so that the cutters penetrate a high standing snow drift to assist snow falling into the augers for throwing.

Heated Grips (if so equipped)



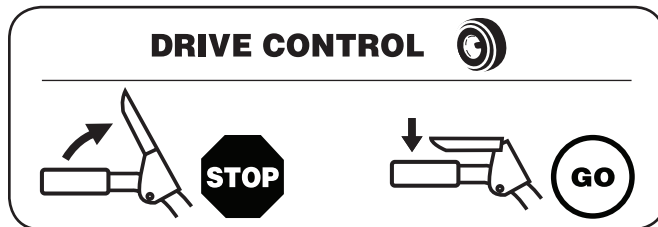
This switch is located on the rear of the snow thrower dash panel. To activate the heated handles, toggle the switch to the "ON" position to generate heat within the handle grips. Toggle the switch to the "OFF" position after using the snow thrower.

Auger Control



The auger control is located on the left handle. Squeeze the control grip against the handle to engage the augers and start snow throwing action. Release to stop.

Drive Control / Auger Clutch Lock

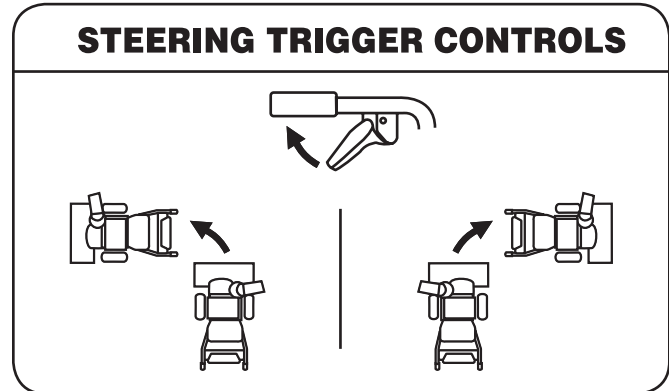


The drive control is located on the right handle. Squeeze the control grip against the handle to engage the wheel drive. Release to stop.

The drive control also locks the auger control so that you can operate the chute directional control without interrupting the snow throwing process. If the auger control is engaged simultaneously with the drive control, the operator can release the auger control (on the left handle) and the augers will remain engaged. Release both controls to stop the augers and wheel drive.

NOTE: Always release the drive control before changing speeds. Failure to do so will result in increased wear on your machine's drive system.

Steering Trigger Controls (if so equipped)



The left and right wheel steering trigger controls are located on the underside of the handles.

- Squeeze the right control to turn right.
- Squeeze the left control to turn left.



CAUTION: Operate the snow thrower in open areas until you are familiar with these controls.

Chute Clean-Out Tool



WARNING! Never use your hands to clear a clogged chute assembly. Shut off engine and remain behind handles until all moving parts have stopped before unclogging.

The chute clean-out tool is conveniently fastened to the rear of the auger housing with a mounting clip. Should snow and ice become lodged in the chute assembly during operation, proceed as follows to safely clean the chute assembly and chute opening:

1. Release both the Auger Control and the Drive Control.
2. Stop the engine as instructed in the separate engine manual.
3. Remove the clean-out tool from the clip which secures it to the rear of the auger housing.
4. Use the shovel-shaped end of the clean-out tool to dislodge and scoop any snow and ice which has formed in and near the chute assembly.
5. Refasten the clean-out tool to the mounting clip on the rear of the auger housing, reinsert the key and start the snow thrower's engine.

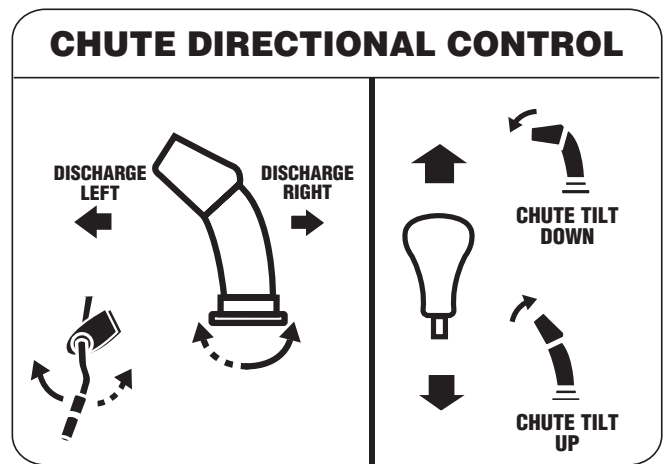
While standing in the operator's position (behind the snow thrower), engage the auger control for a few seconds to clear any remaining snow and ice from the chute assembly.

Two-Way Chute Control™ (optional)

This two-way control lever is meant to control the distance of snow discharge from the chute. Tilt the lever forward or rearward to adjust the distance snow will be thrown.

Chute Directional Control (optional)

The chute directional control can be turned clockwise or counterclockwise to change the direction in which snow is thrown.



Starting and Stopping the Engine

Refer to the Engine Operator's Manual packed with your snow thrower for instructions on starting and stopping the engine.

To Engage Drive

1. With the throttle control in the Fast (rabbit) position, move shift lever into one of the six forward (F) positions or two reverse (R) positions. Select a speed appropriate for the snow conditions and a pace you're comfortable with.
2. Squeeze the drive control against the handle and the snow thrower will move. Release it and drive motion will stop.

To Engage Augers

1. To engage augers and start snow throwing, squeeze the left hand auger control against the left handle. Release to stop augers.
2. While the auger control is engaged, squeeze the drive control to move, release to stop. Do not shift speeds while the drive is engaged.

NOTE: The following instructions are for models equipped with the optional interlock mechanism only.

NOTE: This drive lever also locks auger control so you can turn the chute control without interrupting the snow throwing process.

3. Release the auger control; the interlock mechanism should keep the auger control engaged until the drive control is released.
4. Release the drive control to stop both the augers and the wheel drive. To stop the auger, both levers must be released.

Replacing Shear Pins

The augers are secured to the spiral shaft with two shear pins and cotter pins. If the auger should strike a foreign object or ice jam, the snow thrower is designed so that the pins may shear. If the augers will not turn, check to see if the pins have sheared. See Fig. 5-1.



CAUTION: NEVER replace the auger shear pins with anything other than OEM Part No. 738-04124A replacement shear pins. Any damage to the auger gearbox or other components as a result of failing to do so will NOT be covered by your snow thrower's warranty.



WARNING! Always turn off the snow thrower's engine and remove the key prior to replacing shear pins.

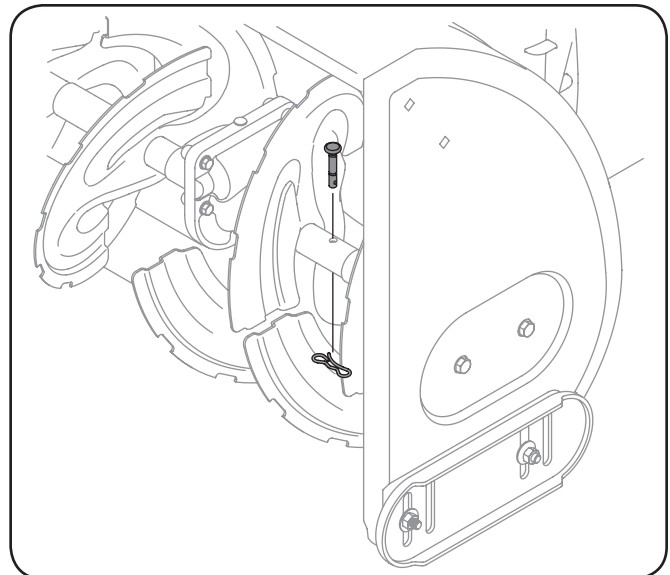


Fig. 5-1

Maintenance

Engine

Refer to the Engine Operator's Manual packed with your snow thrower.

Tire Pressure

Refer to "Assembly & Set-Up" section of this manual.

Shave Plate and Skid Shoes

The shave plate and skid shoes on the bottom of the snow thrower are subject to wear. They should be checked periodically and replaced when necessary.

NOTE: Some units are equipped with reversible skid shoes and may be turned over to increase their lifespan.

To remove skid shoes:

1. Remove the four carriage bolts and hex flange nuts which secure them to the snow thrower.
2. Reassemble new skid shoes with the four carriage bolts (two on each side) and hex flange nuts. Refer to Fig. 6-1.

To remove shave plate:

3. Remove the carriage bolts and hex nuts which attach it to the auger housing.
4. Reassemble new shave plate, making sure heads of carriage bolts are to the inside of housing. Tighten securely.

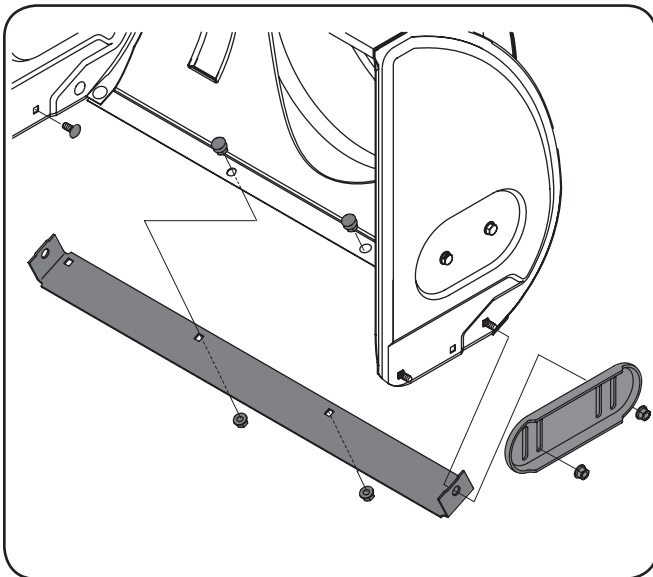


Fig. 6-1

Lubrication

Gear Shaft

The gear (hex) shaft should be lubricated at least once a season or after every twenty-five (25) hours of operation.

1. Allow the engine to run until it is out of fuel.
2. Carefully pivot the snow thrower up and forward so that it rests on the auger housing.
3. Remove the frame cover from the underside of the snow thrower by removing the self-tapping screws which secure it. Refer to Fig 7-3.
4. Apply a light coating of Regular Grade Anti-Seize to the hex shaft. See Figure 6-2.

NOTE: When lubricating the hex shaft, be careful not to get any anti-seize on the aluminum drive plate or the rubber friction wheel. Doing so will hinder the snow thrower's drive system. Wipe off any excess.

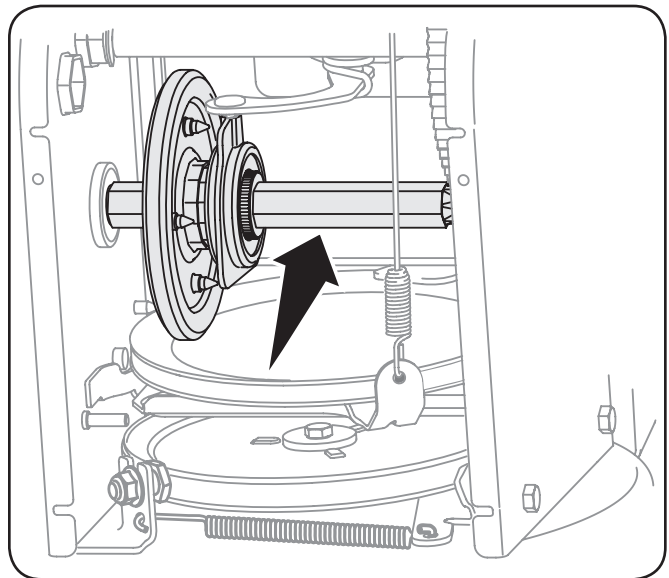


Fig. 6-2

Wheels

At least once a season, remove both wheels. Clean and coat the axles with a multipurpose automotive grease before reinstalling wheels.

Auger Shaft

At least once a season, remove the shear pins from the auger shaft. Spray lubricant inside the shaft and around the spacers and the flange bearings found at either end of the shaft. See Fig. 6-3.

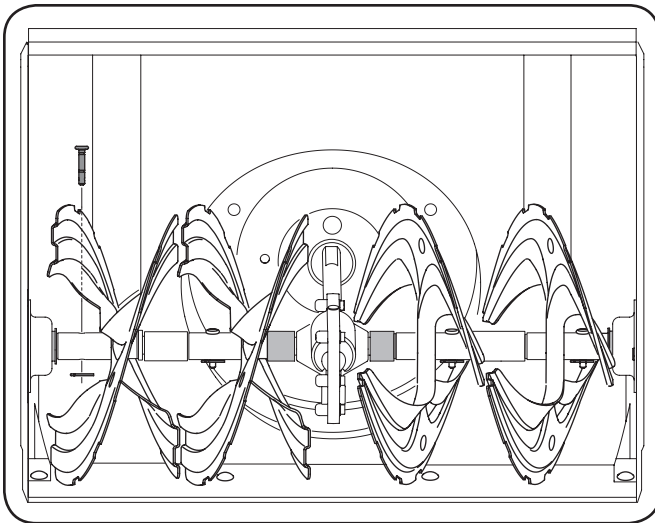


Fig. 6-3

Adjustments

Shift Cable

If the full range of speeds (forward and reverse) cannot be achieved, adjust the shift cable as follows:

1. Place the shift lever in the fastest forward speed position.
2. Loosen the hex nut on the shift cable index bracket. See Fig. 6-4.
3. Pivot the bracket downward to take up slack in the cable.
4. Retighten the hex nut.
5. If further adjustment is necessary move the shift cable to one of the alternate holes in the shift cable index bracket.

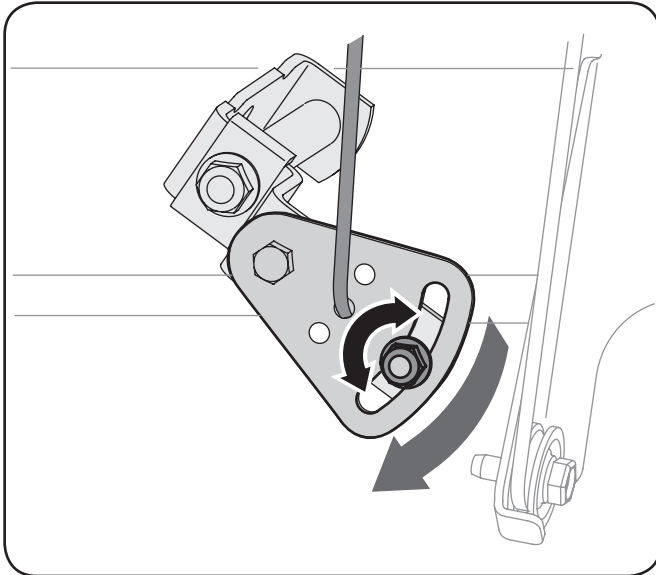


Fig. 6-4

Auger Control

Refer to the Assembly & Set-up section for instructions on adjusting the auger control cable.

Chute Assembly

Refer to the Assembly & Set-up section for instructions on adjusting the chute assembly.

Skid Shoes

Refer to the Assembly & Set-up section for instructions on adjusting the skid shoes.

Drive Control

When the drive control is released and in the disengaged “up” position, the cable should have very little slack. It should NOT be tight.

NOTE: If excessive slack is present in the drive cable or if the snow thrower’s drive is disengaging intermittently during operation, the cable may be in need of adjustment.

Check the adjustment of the drive control as follows:

1. With the drive control released, push the snow thrower gently forward. The unit should roll freely.
2. Engage the drive control and gently attempt to push the snow thrower forward. The wheels should not turn. The unit should not roll freely.
3. With the drive control released, move the shift lever back and forth between the R2 position and the F6 position several times. There should be no resistance in the shift lever.

If any of the above tests failed, the drive cable is in need of adjustment. Proceed as follows:

1. Loosen the lower hex screw on the drive cable bracket. See Fig. 6-5.

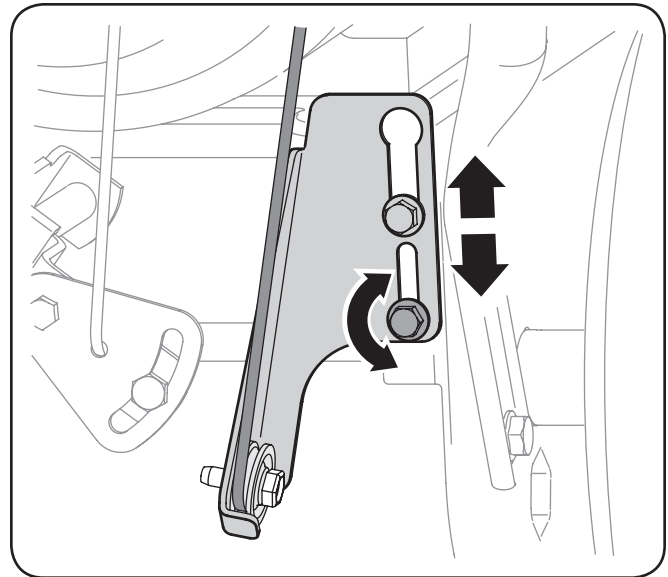


Fig. 6-5

2. Position the bracket upward to provide more slack (or downward to increase cable tension).
3. Retighten the upper hex screw.
4. Repeat Drive Control Test to verify proper adjustment has been achieved.

Chute Rod Adjustment

If the chute fails to remain stationary during operation, increase the preload on the chute control rod.

- While preventing the chute control rod from turning, tighten the nut on the chute gearbox assembly. See Fig. 6-6.

If the chute directional control is difficult to crank, decrease the preload by loosening the hex nut counterclockwise in $\frac{1}{4}$ turn intervals.

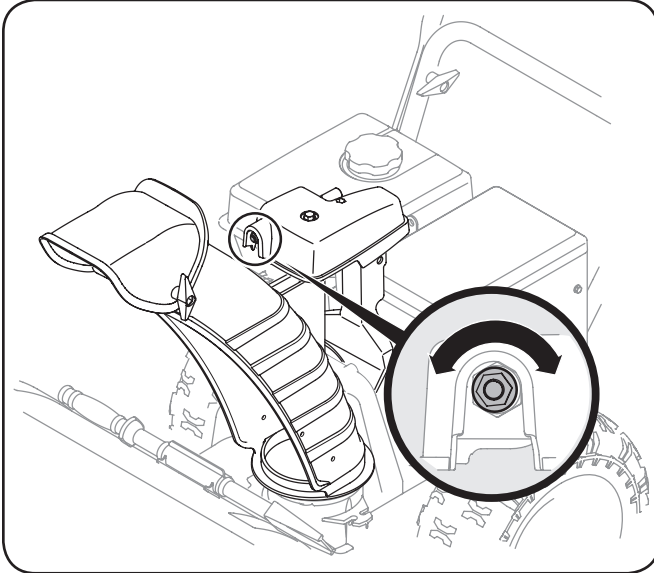


Fig. 6-6

Off-Season Storage

If the snow thrower will not be used for 30 days or longer, follow the storage instructions below.

1. Lubricate the machine as instructed earlier in this section.
2. Store in a clean, dry area.
3. If storing the snow thrower in an unventilated area, rustproof the machine using a light oil or silicone to coat the snow thrower.
4. Clean the exterior of the engine and the snow thrower.

IMPORTANT: When storing unit or when it is not being serviced, it is to remain in the operating position with both wheel and auger housing on the ground.

NOTE: Refer to the Engine Operator's Manual for information on storing your engine.

Belt Replacement

Auger Belt

To remove and replace your snow thrower's auger belt, proceed as follows:

1. Allow the engine to run until it is out of fuel. Do not attempt to pour fuel from the engine.
2. Remove the plastic belt cover on the front of the engine by removing the two self-tapping screws. See Fig. 7-1.

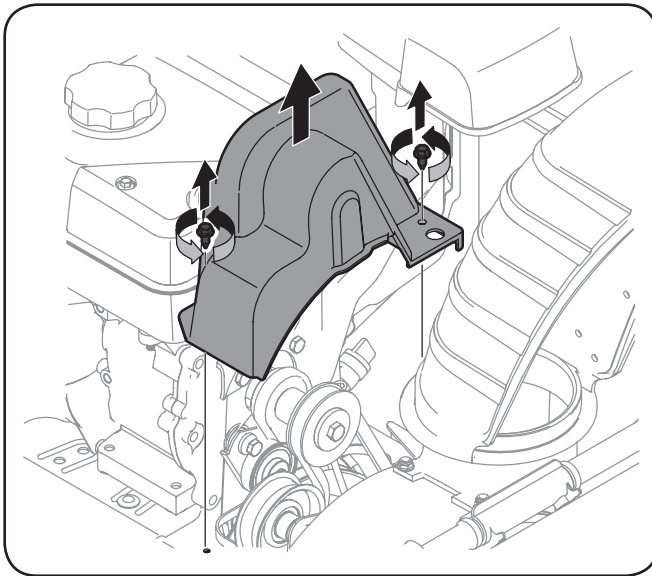


Fig. 7-1

3. Loosen and remove the two bolts and flat washers securing the belt guide. See Figure 7-2. Remove belt guide.

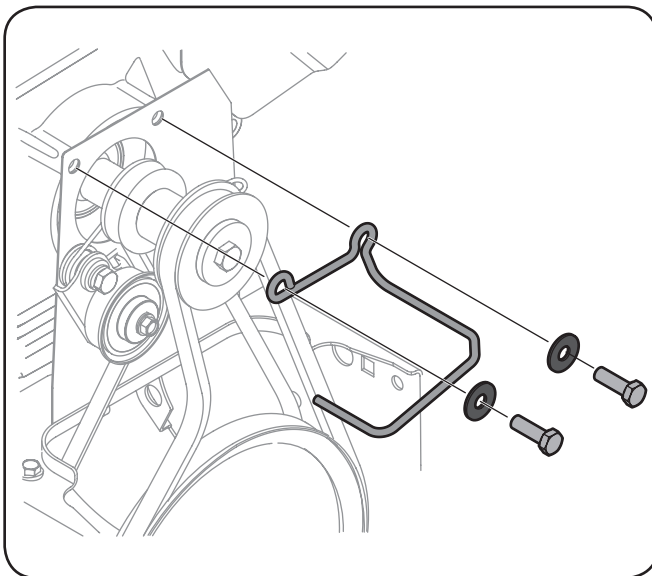


Fig. 7-2

4. Roll the auger belt off the engine pulley. See Fig. 7-3.

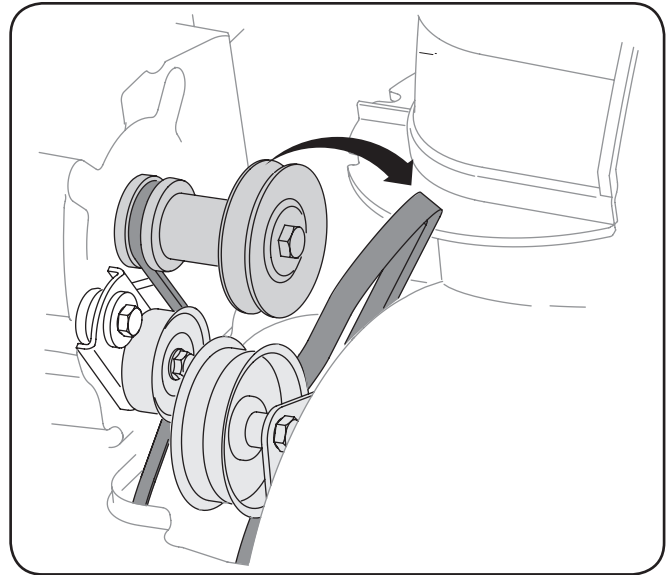


Fig. 7-3

5. Carefully pivot the snow thrower up and forward so that it rests on the auger housing.
6. Remove the frame cover from the underside of the snow thrower by removing the self-tapping screws which secure it. See Fig. 7-4.

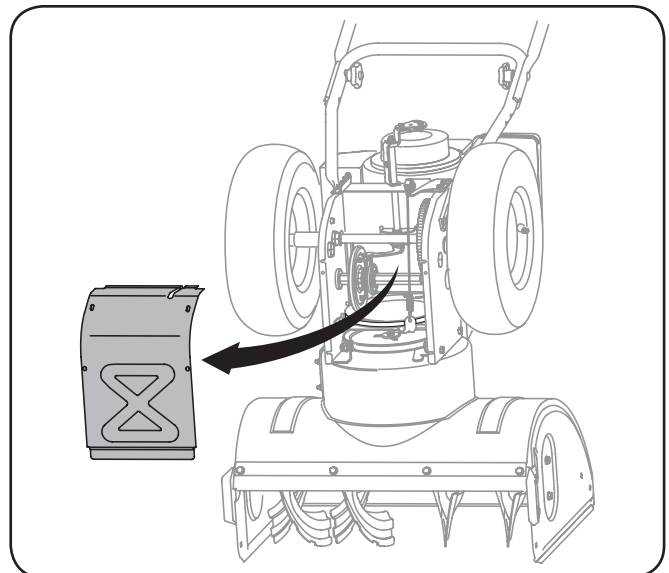


Fig. 7-4

7. Remove the belt as follows. See Fig. 7-5.
 - a. Loosen and remove the shoulder bolt which acts as a belt keeper.
 - b. Unhook the brake bracket spring from the frame.

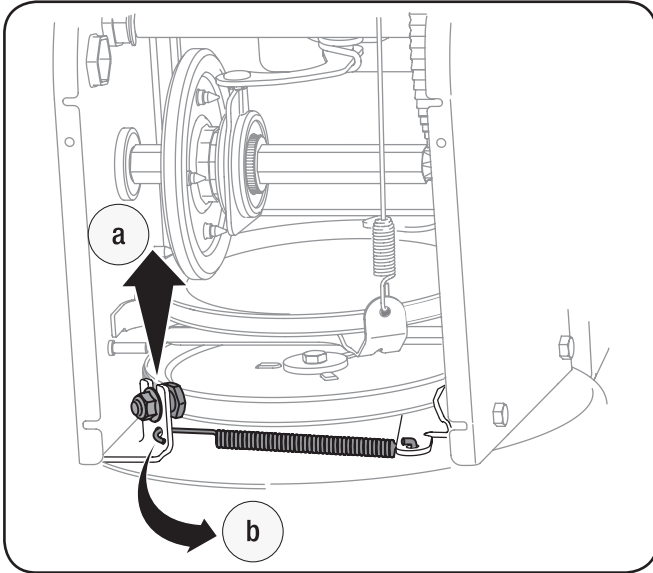


Fig. 7-5

8. Remove the belt from around the auger pulley, and slip the belt between the support bracket and the auger pulley. See Fig. 7-6.

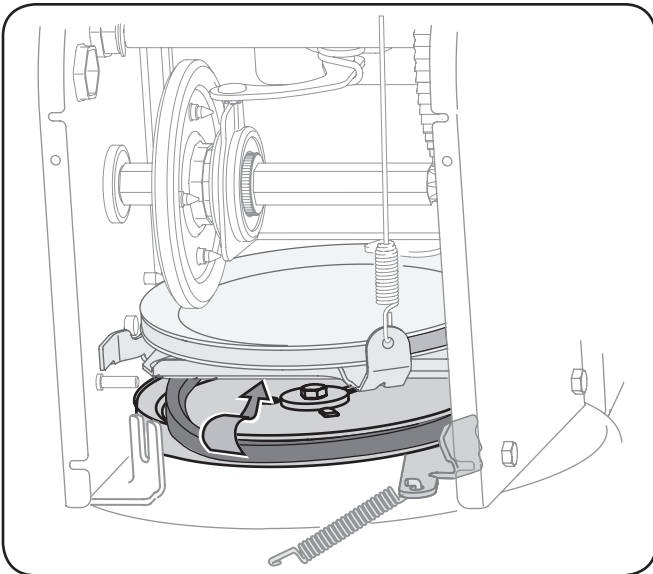


Fig. 7-6

9. Replace the auger belt by following instructions in reverse order.

NOTE: Do not forget to reinstall the shoulder bolt and reconnect the spring to the frame after installing a replacement auger belt.
10. After replacing the auger belt, perform the Auger Control test on page 11 of the Assembly and Set-Up section.

Drive Belt

To remove and replace your snow thrower's drive belt, proceed as follows:

1. To prevent spillage, remove all fuel from tank by running engine until it stops. Do not attempt to pour fuel from the engine.
2. Remove the plastic belt cover on the front of the engine by removing the two self-tapping screws. Refer to Fig. 7-1.
3. Remove the belt as follows. See Fig. 7-7:
 - a. Roll the auger belt off the engine pulley.
 - b. Pivot the idler pulley toward the right.
 - c. Lift the drive belt off the engine pulley.

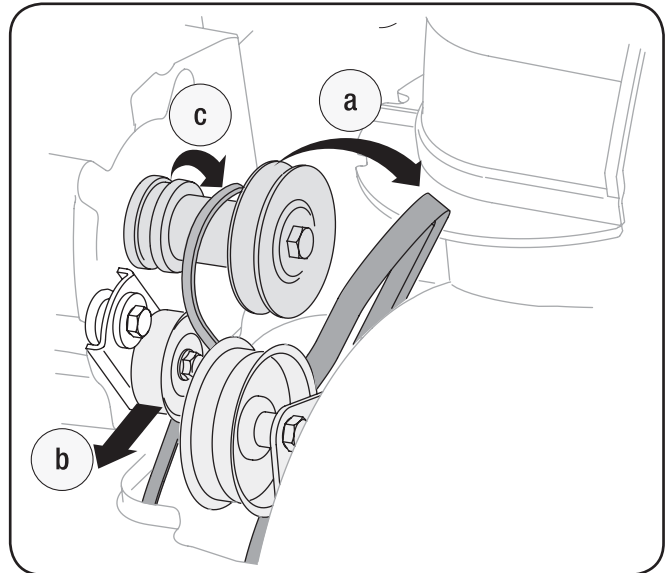


Fig. 7-7

4. Carefully pivot the snow thrower up and forward so that it rests on the auger housing.
5. Remove the frame cover from the underside of the snow thrower by removing the self-tapping screws which secure it. Refer to Fig. 7-4.

- Back out the stop bolt to increase the clearance between the friction wheel disc and friction wheel. See Fig. 7-8.
- Slip the drive belt off the pulley and between friction wheel and friction wheel disc. See Fig. 7-8.
- Remove and replace belt in the reverse order, and return stop bolt to original position.

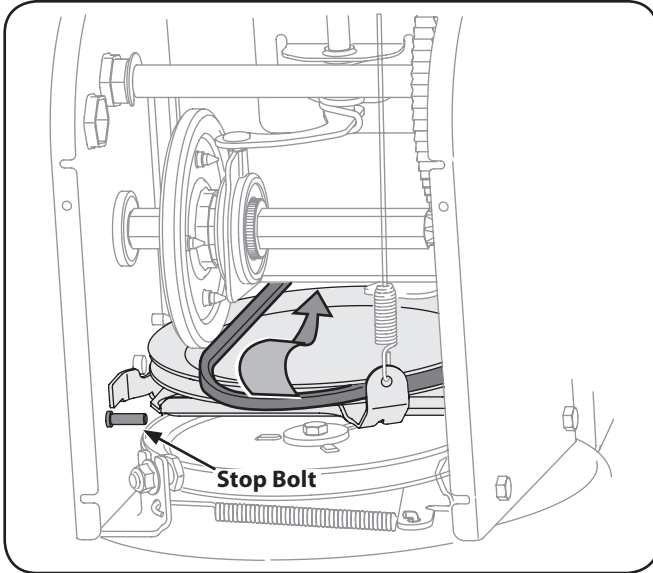


Fig. 7-8

Friction Wheel Inspection (500 Series)

If the snow thrower fails to drive with the drive control engaged, and performing the drive control cable adjustment fails to correct the problem, the friction wheel may need to be replaced.

NOTE: Special tools are required and several components must be removed and in order to replace the snow thrower's friction wheel rubber. See your authorized service dealer to have the friction wheel rubber replaced or phone Customer Support as instructed on page 2 for information on ordering a Service Manual.

To inspect the friction wheel, proceed as follows:

- Allow the engine to run until it is out of fuel. Do not attempt to pour fuel from the engine.
- Carefully pivot the snow thrower up and forward so that it rests on the auger housing.
- Remove the frame cover from the underside of the snow thrower by removing the self-tapping screws which secure it. See Fig. 7-9.
- Examine the friction wheel for signs of wear or cracking.

Friction Wheel Removal (600 Series)

If the snow thrower fails to drive with the drive control engaged, and performing the drive control cable adjustment fails to correct the problem, the friction wheel may need to be replaced. Follow the instructions below. Examine the friction wheel for signs of wear or cracking and replace if necessary:

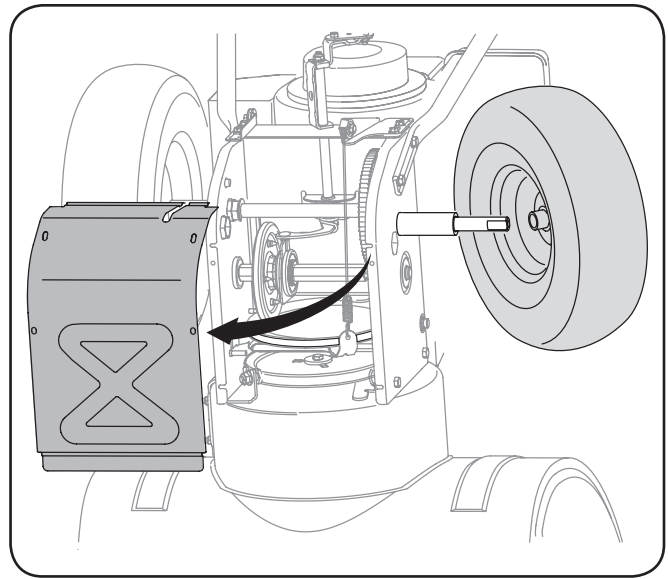


Fig. 7-9

- Allow the engine to run until it is out of fuel. Do not attempt to pour fuel from the engine.
- Place the shift lever in third Forward (F3) position.
- Carefully pivot the snow thrower up and forward so that it rests on the auger housing.
- Remove the frame cover from the underside of the snow thrower by removing the self-tapping screws which secure it. Remove the right-hand wheel by removing the screw and bell washer which secure it to the axle. See Fig. 7-9.
- Carefully remove the hex nut which secures the hex shaft to the snow thrower frame and lightly tap the shaft's end to dislodge the ball bearing from the right side of the frame. See Fig. 7-10.

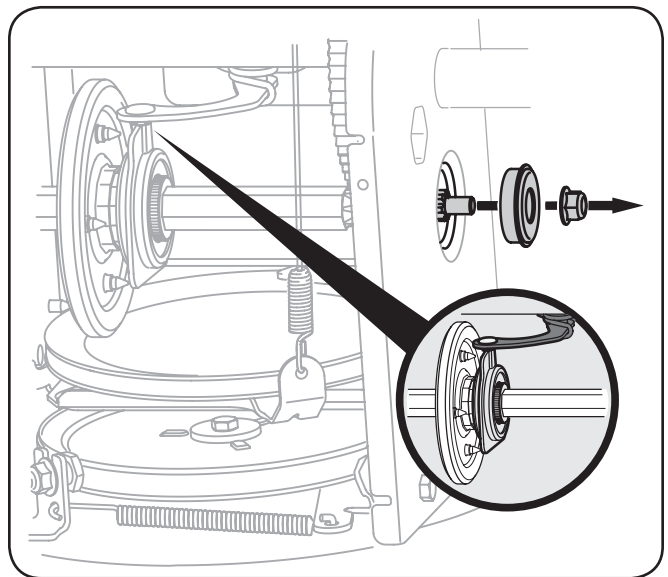


Fig. 7-10

NOTE: Be careful not to damage the threads on the shaft.

6. Carefully position the hex shaft downward and to the left before carefully sliding the friction wheel assembly off the shaft. See Fig. 7-11.

NOTE: If you're replacing the friction wheel assembly as a whole, discard the worn part and slide the new part onto the hex shaft.

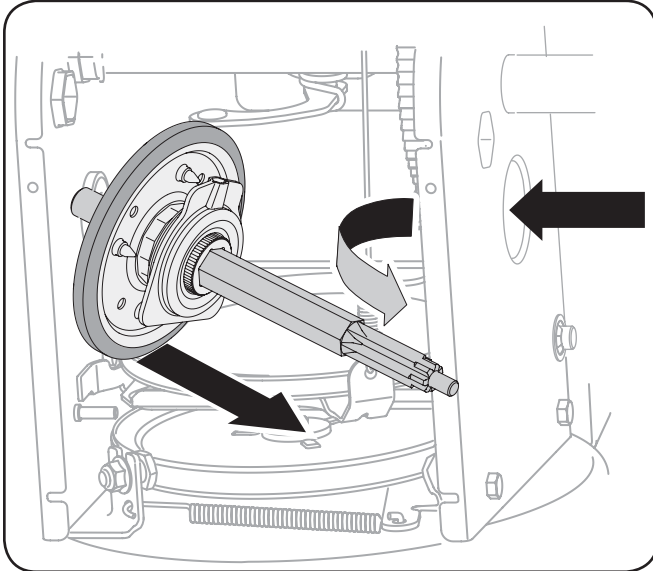


Fig. 7-11

7. Follow the previous steps in reverse order to reassemble components.
8. After replacing the friction wheel, perform the Drive Control test on page 17 in the Maintenance and Adjustments section.

If you're disassembling the friction wheel and replacing only the rubber ring, proceed as follows:

1. Remove the four screws which secure the friction wheel's side plates together. See Fig. 7-12.

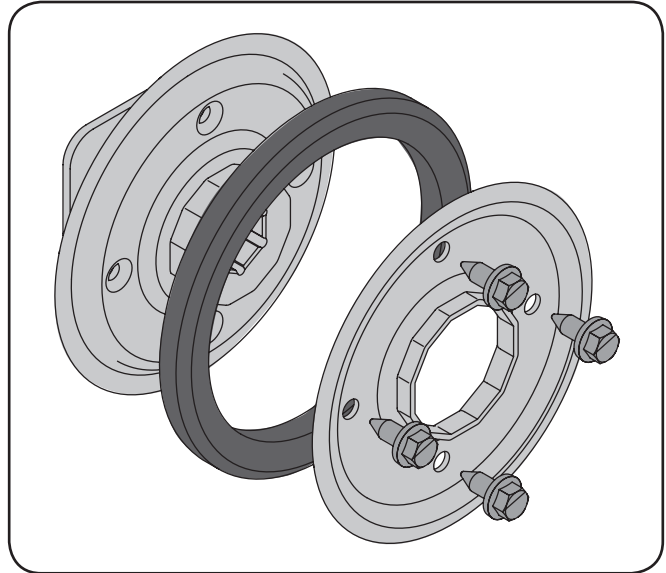


Fig. 7-12


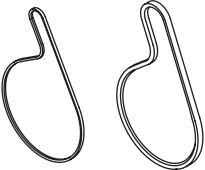
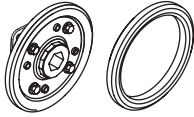

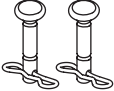
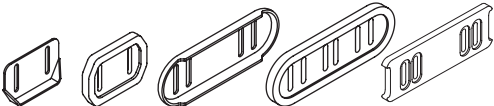
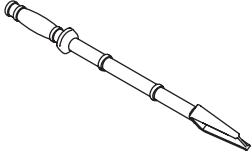
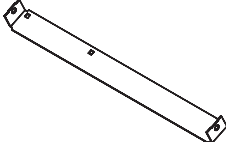
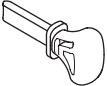
2. Remove the rubber ring from between the plates.
3. Reassemble the side plates with a new rubber ring.

NOTE: When reassembling the friction wheel assembly, make sure that the rubber ring is centered and seated properly between the side plates. Tighten each screw only one rotation before turning the wheel clockwise and proceeding with the next screw. Repeat this process several times to ensure the plates are secured with equal force (between 145-115 in-lbs.).

NOTE: Make sure the shift lever pin is in place in the bearing housing. See Fig. 7-10 inset.

4. Slide the friction wheel assembly back onto the hex shaft and follow the steps above in reverse order to reassemble components.
5. After replacing the friction wheel, perform the Drive Control test on page 17 in the Maintenance and Adjustments section.

Problem	Cause	Remedy
Engine fails to start	<ol style="list-style-type: none"> 1. Choke not in CHOKE position. 2. Spark plug wire disconnected. 3. Fuel tank empty or stale fuel. 4. Engine not primed. 5. Faulty spark plug. 6. Key not in ignition on engine. 	<ol style="list-style-type: none"> 1. Move choke to CHOKE position. 2. Connect wire to spark plug. 3. Fill tank with clean, fresh gasoline. 4. Prime engine as instructed in the Operation section. 5. Clean, adjust gap, or replace. 6. Insert key fully into the switch.
Engine running erratically/ inconsistent RPM (hunting or surging)	<ol style="list-style-type: none"> 1. Engine running on CHOKE. 2. Stale fuel. 3. Water or dirt in fuel system. 4. Carburetor out of adjustment. 5. Engine over-governed 	<ol style="list-style-type: none"> 1. Move choke lever to RUN position. 2. Fill tank with clean, fresh gasoline. 3. Drain fuel tank. Refill with fresh fuel. 4. Contact an authorized Service Center. 5. Contact an authorized Service Center.
Engine overheats	<ol style="list-style-type: none"> 1. Carburetor not adjusted properly. 	<ol style="list-style-type: none"> 1. Contact an authorized Service Center.
Excessive vibration	<ol style="list-style-type: none"> 1. Loose parts or damaged auger. 	<ol style="list-style-type: none"> 1. Stop engine immediately and disconnect spark plug wire. Tighten all bolts and nuts. If vibration continues, have unit serviced by an authorized Service Center.
Loss of power	<ol style="list-style-type: none"> 1. Spark plug wire loose. 2. Gas cap vent hole plugged. 	<ol style="list-style-type: none"> 1. Connect and tighten spark plug wire. 2. Remove ice and snow from gas cap. Be certain vent hole is clear.
Unit fails to propel itself	<ol style="list-style-type: none"> 1. Drive control cable in need of adjustment. 2. Drive belt loose or damaged. 3. Friction wheel worn. 	<ol style="list-style-type: none"> 1. Adjust drive control cable. Refer to Maintenance & Adjustments section. 2. Replace drive belt. Refer to Service section 3. Replace friction wheel. Refer to Service section.
Unit fails to discharge snow	<ol style="list-style-type: none"> 1. Chute assembly clogged. 2. Foreign object lodged in auger. 3. Auger control cable in need of adjustment. 4. Auger belt loose or damaged. 5. Shear pin(s) sheared. 	<ol style="list-style-type: none"> 1. Stop engine immediately and disconnect spark plug wire. Clean chute assembly and inside of auger housing with clean-out tool or a stick. 2. Stop engine immediately and disconnect spark plug wire. Remove object from auger with clean-out tool or a stick. 3. Refer to Auger Control Test. 4. Refer to Maintenance & Adjustments section. 5. Replace with new shear pin(s).
Engine fails to start	<ol style="list-style-type: none"> 1. Extension cord not connected (when using electric start button, on models so equipped) 	<ol style="list-style-type: none"> 1. Connect one end of the extension cord to the electric starter outlet and the other end to a three-prong 120-volt, grounded, AC outlet.
Chute fails to easily rotate 180 degrees	<ol style="list-style-type: none"> 1. Chute assembled incorrectly. 	<ol style="list-style-type: none"> 1. Unassemble chute control and reassemble as directed in the Assembly & Set-up section.
Chute does not stay stationary while throwing snow using an overhead chute control.	<ol style="list-style-type: none"> 1. Insufficient tension applied to chute control. 	<ol style="list-style-type: none"> 2. Refer to the Maintenance & Adjustments section to adjust chute preload.

Component	Part Number and Description
	<p>929-0071A Extension Cord, 110V</p>
	<p>954-04050A Auger Drive Belt (24") 954-04260 Wheel Drive Belt (24") 954-04195 Auger Drive Belt (26", 28" & 30") 954-04201A Wheel Drive Belt (26", 28" & 30")</p>
	<p>684-04153C Friction Wheel Assembly 935-04054 Friction Wheel Rubber</p>
	<p>925-1629 Lamp, 12V</p>
	<p>738-04124A Shear Pin, 1.50 714-04040 Bow-tie Cotter Pin</p>
	<p>784-5580 Slide Shoe, Standard (Steel) 731-06439 Slide Shoe, Standard (Polymer) 790-00091 Slide Shoe, Deluxe (Steel) 731-05984A Slide Shoe, Deluxe (Polymer) 731-06931 Slide Shoe, Deluxe (Blue Polymer)</p>
	<p>931-2643 Chute Clean-out Tool</p>
	<p>790-00120 Shave Plate, 24" 790-00121 Shave Plate, 26" 790-00118 Shave Plate, 28" 790-00119 Shave Plate, 30"</p>
	<p>951-10630 Key</p>

NOTE: Download a complete Parts Manual, refer to customer support on page 2. Be sure to have your model number and serial number ready. Refer to page 2 for more information regarding locating your model and serial numbers.

THREE YEAR LIMITED WARRANTY

The limited warranty set forth below is given by MTD Products Limited with respect to new merchandise purchased and used in Canada and/or its territories and possessions (either entity respectively, "MTD").

MTD warrants this product (excluding its normal wear parts as described below) against defects in material and workmanship for a period of three (3) years commencing on the date of original purchase and will, at its option, repair or replace, free of charge, any part found to be defective in materials or workmanship. This limited warranty shall only apply if this product has been operated and maintained in accordance with the Operator's Manual furnished with the product, and has not been subject to misuse, abuse, commercial use, neglect, accident, improper maintenance, alteration, vandalism, theft, fire, water, or damage because of other peril or natural disaster. Damage resulting from the installation or use of any part, accessory or attachment not approved by MTD for use with the product(s) covered by this manual will void your warranty as to any resulting damage.

Normal wear parts are warranted to be free from defects in material and workmanship for a period of thirty (30) days from the date of purchase. Normal wear parts include, but are not limited to items such as: batteries, belts, blades, blade adapters, grass bags, rider deck wheels, seats, snow thrower skid shoes, friction wheels, shave plates, auger spiral rubber, tires, engine oil, air filters and spark plugs.

Lifetime Warranty on Polymer Snow Discharge Chute: If your product is a snow thrower equipped with a polymer snow discharge chute (the "Snow Chute"), and the Snow Chute fails, breaks, or malfunctions, the manufacturer will repair or replace the Snow Chute at no cost as long as it is still owned by the original purchaser (or the original person for whom this product was purchased as a gift). Control mechanisms attached to the Snow Chute, such as cables and control linkages, are covered under the other terms of this limited warranty, but are not covered by this paragraph (or beyond the normal applicable warranty period). Except as specifically modified by this paragraph, all of the other terms, limitations, and conditions set forth in this document shall continue to apply to the Snow Chute.

HOW TO OBTAIN SERVICE: Warranty service is available, WITH PROOF OF PURCHASE, through your local authorized service dealer. To locate the dealer in your area;

In the U.S.A.: Check your Yellow Pages, or contact MTD LLC at P.O. Box 361131, Cleveland, Ohio 44136-0019, or call 1-800-800-7310 or 1-330-220-4683 or log on to our Web site at www.mtdproducts.com.

In Canada: Contact MTD Products Limited, Kitchener, ON N2G 4J1, or call 1-800-668-1238 or log on to our Web site at www.mtdcanada.com.

This limited warranty does not provide coverage in the following cases:

- a. The engine or component parts thereof. These items may carry a separate manufacturer's warranty. Refer to applicable manufacturer's warranty for terms and conditions. The Powermore engine is not excluded under this agreement.
- b. Log splitter pumps, valves, and cylinders have a separate one-year warranty.
- c. Routine maintenance items such as lubricants, filters, blade sharpening, tune-ups, brake adjustments, clutch adjustments, deck adjustments, and normal deterioration of the exterior finish due to use or exposure.
- d. Service completed by someone other than an authorized service dealer.
- e. MTD does not extend any warranty for products sold or exported outside of Canada, including possessions and territories.
- f. Replacement parts that are not genuine MTD parts.
- g. Transportation charges and service calls.
- h. If products are used commercially. (MTD may separately offer Limited Commercial Warranties on certain select products. Ask your dealer or retailer for details or contact MTD Service for more information.)

No implied warranty, including any implied warranty of merchantability of fitness for a particular purpose, applies after the applicable period of express written warranty above as to the parts as identified. No other express warranty, whether written or oral, except as mentioned above, given by any person or entity, including a dealer or retailer, with respect to any product, shall bind MTD. During the period of the warranty, the exclusive remedy is repair or replacement of the product as set forth above.

The provisions as set forth in this warranty provide the sole and exclusive remedy arising from the sale. MTD shall not be liable for incidental or consequential loss or damage including, without limitation, expenses incurred for substitute or replacement lawn care services or for rental expenses to temporarily replace a warranted product.

Some jurisdictions do not allow the exclusion or limitation of incidental or consequential damages, or limitations on how long an implied warranty lasts, so the above exclusions or limitations may not apply to you.

In no event shall recovery of any kind be greater than the amount of the purchase price of the product sold. **Alteration of safety features of the product shall void this warranty.** You assume the risk and liability for loss, damage, or injury to you and your property and/or to others and their property arising out of the misuse or inability to use the product.

This limited warranty shall not extend to anyone other than the original purchaser or to the person for whom it was purchased as a gift.

HOW LOCAL LAWS RELATE TO THIS WARRANTY: This limited warranty gives you specific legal rights, and you may also have other rights that vary in different jurisdictions.

IMPORTANT: Owner must present Original Proof of Purchase to obtain warranty coverage.

MTD LLC, P.O. BOX 361131 CLEVELAND, OHIO 44136-0019; Phone: 1-800-800-7310, 1-330-220-4683

MTD Products Limited, P. O. BOX 1386, KITCHENER, ON N2G 4J1; Phone: 1-800-668-1238

GARANTIE LIMITÉE DE TROIS ANS

La garantie limitée qui est énoncée ci-dessous est offerte par Produits MTD Limited, pour toutes les marchandises achetées et utilisées au Canada et/

ou ses territoires (l'une ou l'autre entité respectivement appelée « MTD »).

« MTD » garantie que ce produit (à l'exception des pièces à usure normale énumérées ci-dessous) est exempt de tout vice de matière et de fabrication pour une durée de trois (3) ans à compter de la date de l'achat initial et s'engage à réparer ou à remplacer, gratuitement et à son choix, toute pièce qui s'avère défectueuse en raison d'un vice de matière ou de fabrication. Cette garantie limitée n'est applicable que si ce produit a été utilisé et entretenu conformément aux instructions de la notice d'utilisation qui l'accompagne. De plus, le produit ne doit pas avoir fait l'objet d'un emploi incorrect ou abusif, d'une utilisation à des fins commerciales, d'une négligence, d'un accident, d'un entretien incorrect, d'une modification, d'un acte de vandalisme, d'un vol, d'un incendie, d'une inondation ou de tout autre dégat causé par tout incident ou désastre naturel. Les dégâts causés par l'installation ou l'utilisation d'une pièce, d'un accessoire ou d'un équipement annexe, dont l'emploi avec le produit faisant l'objet de la notice d'utilisation n'est pas homologué par MTD, rendront la garantie nulle et non avenue.

Les pièces ou composants à usure normale sont garantis exempts de tout vice de matière et de fabrication pour une période de 30 jours à compter de la date d'achat. Les pièces et composants à usure normale comprennent, sans s'y limiter, les batteries, courroies, lames, adaptateurs de lame, sacs à herbe, roues du plateau de coupe des tondeuses à siège, sièges, patins de souffluses, roues de frottement, lames de raclage, le caoutchouc de la tarière et pneus l'huile à moteur, les filtres à air et bougies.

Garantie limitée de la goulotte d'éjection en polymère : Si le matériel en question est une souffluse à neige équipée d'une goulotte d'éjection en polymère (la "goulotte") et que celle-ci présente une défaillance, se brise ou ne fonctionne pas correctement, le fabricant s'engage à réparer ou à remplacer cette goulotte gratuitement si elle est toujours la propriété de l'acheteur initial (ou si le propriétaire initial l'a reçue en cadeau). Les commandes installées sur la goulotte, c'est-à-dire les câbles et timoniers de commande, sont couvertes par d'autres clauses de cette garantie limitée. Elle ne sont toutefois pas couvertes par ce paragraphe (ni au-delà de la période normale de la garantie). Toutes les autres clauses, restrictions et conditions énoncées dans ce document continueront à s'appliquer à la goulotte, à moins de modifications expressément mentionnées dans ce paragraphe.

POUR FAIRE HONORER LA GARANTIE : Présentez UNE PREUVE D'ACHAT à la station technique agréée de votre localité. Pour localiser une station technique agréée ou un concessionnaire dans votre région :

Aux États-Unis : Consultez les Pages Jaunes ou adressez-vous à MTD LLC, P.O. Box 361131, Cleveland, Ohio 44136-0019 ou appelez le 1-800-800-7310 ou le 1-330-220-4683. Vous pouvez aussi visiter notre site web au www.mtdproducts.com

Au Canada : Adressez-vous à Produits MTD Limited, Kitchener, Ontario, N2G 4J1 ou appelez le 1-800-668-1238 ou visitez notre site web au www.mtdcanada.com

Cette garantie limitée ne couvre pas :

a. Le moteur ou ses composants. Ces articles peuvent être couverts par une garantie séparée du fabricant. Consultez la garantie du fabricant quant aux conditions. Le moteur Powermore à soupapes en tête n'est pas exclus aux termes de cette garantie.

b. Les pompes, soupapes et pistons des fendeuses à bois sont couverts par une garantie séparée d'un an.

c. Les articles d'entretien courant tels que les lubrifiants, filtres, aiguillages de lame et révisions, les réglages de frein, de l'embrayage ou du plateau de coupe et la détérioration normale de la finition du fait de l'utilisation de la machine ou de son exposition aux intempéries.

d. L'entretien ou les réparations effectuées par quiconque autre qu'une station technique agréée.

e. MTD ne garantit pas les produits vendus ou exportés du Canada, de ses possessions et territoires.

f. Les pièces de rechange si elles ne sont pas des pièces MTD authentiques.

g. Les frais de transport des machines et de déplacement des techniciens.

h. Les produits utilisés dans un but commercial. Certains produits peuvent être accompagnés d'une garantie limitée MTD séparée pour usage commercial. Renseignez-vous auprès du concessionnaire ou détaillant pour plus de détails ou adressez-vous directement au service après-vente de MTD.)

Aucune garantie tacite, y compris toute garantie tacite de qualité marchande ou d'adaptabilité dans un but particulier, ne s'applique aux pièces identifiées ci-dessus dans la période de validité de la garantie écrite expresse. Aucune autre garantie expresse, qu'elle soit verbale ou écrite, à l'exception des stipulations ci-dessus, offerte par toute personne ou entité (y compris un concessionnaire/revendeur), pour tout produit, n'engage MTD. Pendant la période de garantie, la réparation ou le remplacement du produit ci-dessus constitue le recours exclusif à la disposition du client.

Les stipulations énoncées dans cette garantie offrent le seul recours à la suite de la vente. MTD ne peut être tenue responsable pour toute perte ou tout dommage accessoire ou immatériel comprenant, sans s'y limiter, les frais de remplacement ou de substitution des services d'entretien des pelouses ou les frais de location pour remplacer temporairement un article sous garantie.

Certaines juridictions ne permettent pas l'inclusion ou la restriction des dommages accessoires ou immatériels ou une limite à la durée de la garantie tacite. Par conséquent, les exclusions ci-dessus peuvent ne pas s'appliquer dans votre situation.

Le remboursement ou remplacement quel qu'il soit ne sera en aucun cas supérieur au montant du prix d'achat du produit vendu. **Toute modification des caractéristiques de sécurité rendra la garantie nulle et non avenue.** L'utilisateur assume tout risque et toute responsabilité en cas de perte, de dommage matériel ou de blessure résultant de l'utilisation incorrecte du produit ou de l'incapacité de l'employer.

LES LOIS LOCALES ET CETTE GARANTIE : Cette garantie limitée vous accorde des droits juridiques spécifiques et vous pouvez bénéficier d'autres droits qui varient selon les juridictions.

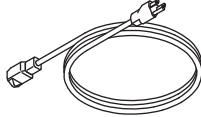
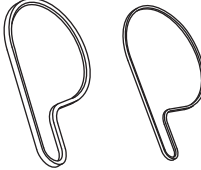
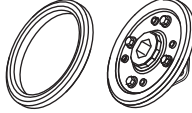

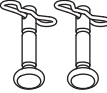
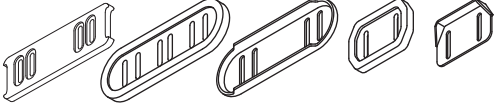
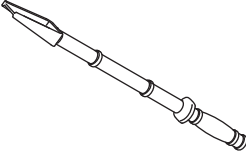
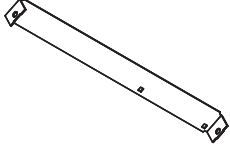
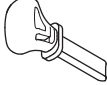
IMPORTANT : Le propriétaire doit présenter le reçu original pour faire honorer la garantie.

MTD LLC, P.O. Box 361131, Cleveland, Ohio 44136-0019; téléphone: 1-800-800-7310, 1-330-220-4683

Produits MTD Limited, C.P. 1386, Kitchener, Ontario N2G 4J1; téléphone: 1-800-668-1238

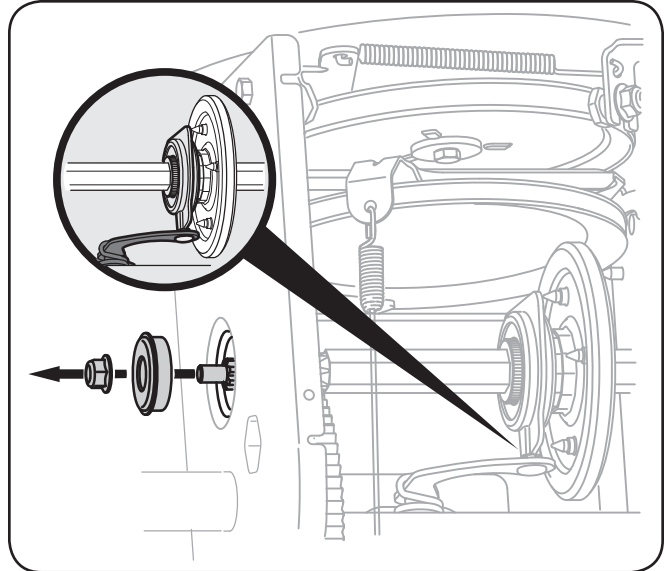
Pièces de rechange

9

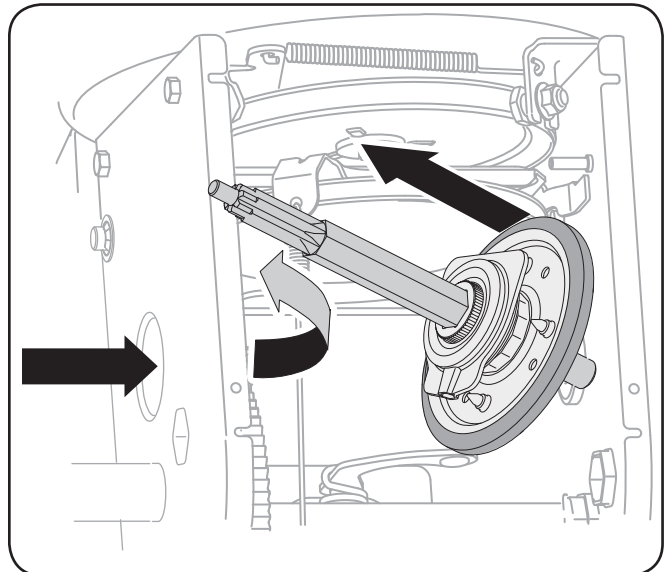
No. de pièce et description	Composant
929-0071A Fil électrique, 110V	
954-04050A 954-04195 954-04260 954-04201A Courroie de la tarière (24 po) Courroie de transmission (24 po) Courroie de la tarière (26 po, 28 po & 30 po) Courroie de transmission (26 po, 28 po & 30 po)	
684-04153C 935-04054 Roue de friction Roue de friction	
925-1629 Phare	
738-04124A 714-04040 Goupille de cisaillement, 1,50 Goupille fendue	
784-5580 731-06439 790-00091 731-05984A 731-06931 Patin, de série (Acier) Patin, de série (Polymer) Patin, de luxe (Acier) Patin, de luxe (Polymer) Patin, de luxe (bleu Polymer)	
931-2643 Outil de dégagement de la goulotte	
790-00120 790-00121 790-00118 790-00119 Lame de raclage, 24 po Lame de raclage, 26 po Lame de raclage, 28 po Lame de raclage, 30 po	
951-10292 Clé	

REMARQUE: Vous pouvez télécharger un livret contenant la liste complète des pièces détachées adressées au «Service après-vente» à la page 2. Voir les renseignements qui se trouvent à la page 2 pour localiser les numéros de modèle et de série de votre machine.

Problème	Cause	Remedy
Le moteur ne démarre pas	<ol style="list-style-type: none"> 1. Volet de départ n'est pas fermé. 2. Fil de la bougie débranché. 3. Réservoir vide ou essence éventée. 4. Bouton de l'amorceur n'étant pas employé correctement. 5. Bougie défectueuse. 6. La clé de contact du moteur n'est pas mise. 	<ol style="list-style-type: none"> 1. Sélectionner la position "volet de départ". 2. Branchez le fil de la bougie. 3. Faites le plein avec une essence propre et fraîche. 4. Consultez le chapitre "Utilisation de la Souffleuse". 5. Nettoyez, réglez l'écartement ou remplacez la bougie. 6. Mettez la clé.
Fonctionnement irrégulier	<ol style="list-style-type: none"> 1. Machine fonctionnant avec le volet de départ fermé. 2. Essence éventée. 3. Eau ou saleté dans le système d'essence. 4. Carburateur est mal réglé. 5. Régulateur dérèglé. 	<ol style="list-style-type: none"> 1. Enlever de la position "volet de départ". 2. Faites le plein avec une essence propre. 3. Videz le réservoir. Faites le plein avec une essence propre et fraîche. 4. Adressez-vous à une station technique. 5. Adressez-vous à une station technique.
Moteur surchauffe	<ol style="list-style-type: none"> 1. Carburateur est mal réglé. 	<ol style="list-style-type: none"> 1. Adressez-vous à une station technique.
Vibration excessives	<ol style="list-style-type: none"> 1. Pièces desserrées ou vis sans fin endommagées. 	<ol style="list-style-type: none"> 1. Arrêtez immédiatement le moteur et débranchez le fil de la bougie. Serrez tous les boulons et écrous. Si les vibrations persistent, faites vérifier la machine par une station technique agréée.
Perte de puissance	<ol style="list-style-type: none"> 1. Fil de la bougie desserré. 2. Chapeau d'échappement d'aération bouché. 	<ol style="list-style-type: none"> 1. Branchez et serrez le fil de la bougie. 2. Dégagez la glace et la neige du chapeau. Assurez-vous de la propreté d'aération.
La souffleuse n'avance pas	<ol style="list-style-type: none"> 1. Câble d'entraînement mal réglé. 2. Courroie d'entraînement abîmée ou ayant du jeu. 3. La roue de frottement est usée. 	<ol style="list-style-type: none"> 1. Réglez le câble d'entraînement. Voir le Réglages. 2. Remplacez la courroie d'entraînement. 3. Remplacez la roue de frottement.
La souffleuse n'évacue pas la neige	<ol style="list-style-type: none"> 1. Goulotte d'évacuation bouchée. 2. Présence de corps étranger dans la tarière. 3. Câble d'entraînement de la tarière mal réglé. 4. Courroie d'entraînement de la tarière abîmée ou ayant du jeu. 5. Goupille de cisaillement est cisailée. 	<ol style="list-style-type: none"> 1. Arrêtez immédiatement le moteur et débranchez le fil de la bougie. Nettoyez la goulotte d'évacuation et l'intérieur du logement de la tarière. 2. Arrêtez immédiatement le moteur et débranchez le fil de la bougie. Dégagez le corps étranger de la tarière avec l'outil de dégagement de la goulotte ou un bâton. 3. Voir Test de commande de la tarière. 4. Voir le Régime d'entretien. 5. Remplacez la goupille de cisaillement.
Engine fails to start	<ol style="list-style-type: none"> 1. Extension cord not connected (when using electric start button, on models so equipped) 	<ol style="list-style-type: none"> 1. Connect one end of the extension cord to the electric starter outlet and the other end to a three-prong 120-volt, grounded, AC outlet.
La goulotte ne tourne pas facilement 180 degrés	<ol style="list-style-type: none"> 1. La goulotte n'est pas assemblée correctement 	<ol style="list-style-type: none"> 1. Démontez la commande de la goulotte et remontez-la comme instruit dans le chapitre « Assemblage et montage ».
La goulotte ne reste pas stationnaire tout en jetant la neige utilisant une commande de direction de la goulotte.	<ol style="list-style-type: none"> 1. La tension appliquée à la commande de la goulotte est insuffisante 	<ol style="list-style-type: none"> 1. Pour régler la tension de la sur la manivelle de commande de la goulotte, consultez le chapitre « Entretien et réglages ».

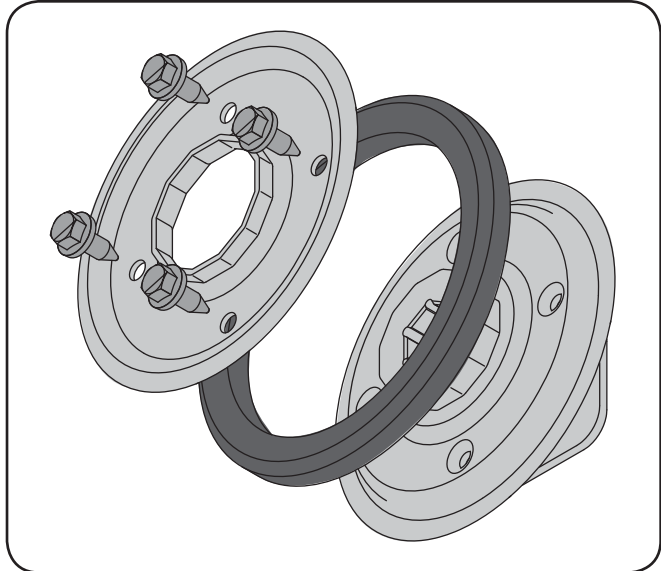


5. Retirez doucement l'écrou à six pans et la rondelle qui maintiennent l'arbre hexagonal sur le châssis de la souffluse et frappez doucement sur l'extrémité de l'arbre pour dégager le roulement à billes du côté droit du châssis. Voir la Fig. 7-10.



6. Abaissez doucement l'arbre hexagonal vers la gauche avant de faire glisser la roue de frottement de l'arbre. Voir la Fig. 7-11.
REMARQUE : Si vous remplacez l'ensemble complet de la roue de frottement, jetez la pièce usée et glissez la pièce neuve sur l'arbre hexagonal.

Fig. 7-11



7. Suivez les instructions ci-dessus dans l'ordre inverse pour assembler à nouveau les divers éléments.
 8. Après avoir remplacé la roue de friction, effectuez à nouveau le « Test de la commande de la transmission » à la page 20 du chapitre « Entretien et réglages ».
 Si vous démontez la roue de frottement et ne remplacez que la bague en caoutchouc, procédez comme suit :

Fig. 7-12

2. Retirez la bague en caoutchouc qui se trouve entre les plaques.
 3. Remontez les plaques latérales avec une bague en caoutchouc neuve.

REMARQUE : Pour remonter la roue de frottement, assurez que la bague de caoutchouc soit bien montée de façon symétrique entre les plaques. Donnez un seul tour à chaque vis avant de faire tourner la roue dans le sens des aiguilles d'une montre, puis passez à la vis suivante. Répétez plusieurs fois pour que les plaques soient toutes serrées de manière égale (couple entre 145-115 po/lb.).
 4. Glissez à nouveau la roue de frottement sur l'arbre hexagonal et suivez les instructions ci-dessus dans l'ordre inverse pour remonter tous les éléments.
 5. Après avoir remplacé la roue de friction, effectuez à nouveau le « Test de la commande de la transmission » à la page 17 du chapitre « Entretien et réglages ».

- Retirez le boulon d'arrêt pour augmenter l'écartement entre la plaque d'entraînement et la roue de frottement. Voir la figure 7-8.

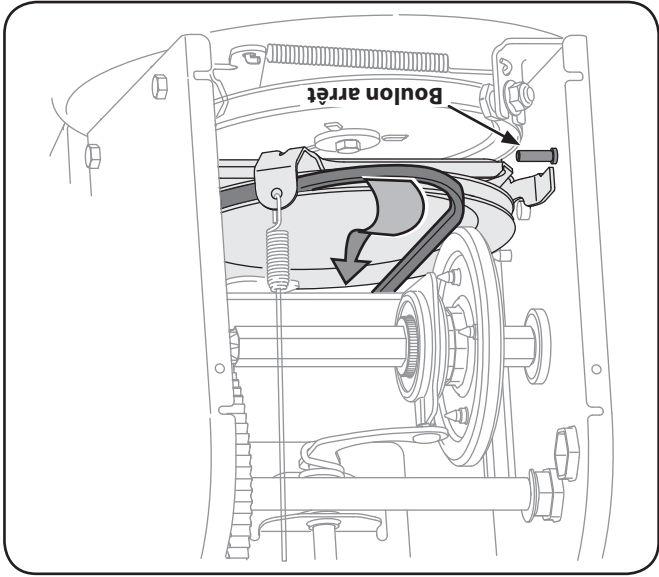


Fig. 7-8

- Dégagez la courroie de transmission de la poulie et de l'espace entre la roue de frottement et la plaque d'entraînement. Voir la Fig. 7-8.
- Retirez la courroie et installez la courroie neuve en procédant dans l'ordre inverse, puis replacez le boulon d'arrêt à sa position initiale.

Inspection de la roue de frottement (500 Series)

Si la souffluse n'avance pas lorsque la commande est enclenchée et si l'ajustement du câble de commande ne parvient pas à corriger le problème, il faudra peut-être remplacer la roue de frottement.

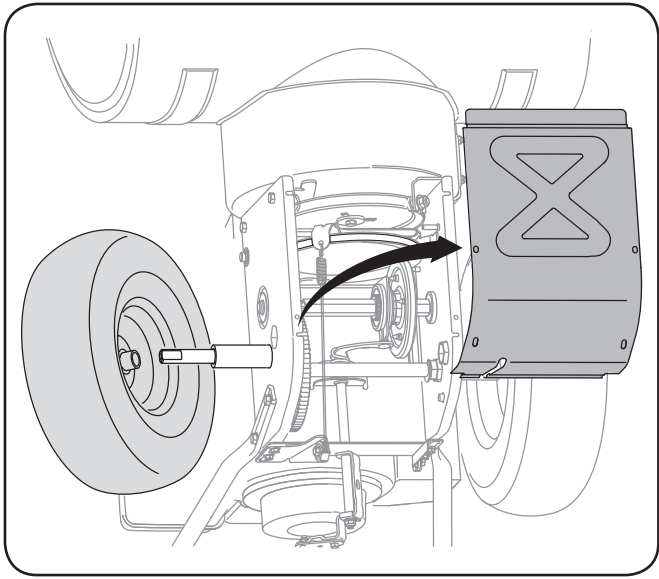
REMARQUE: Des outils spéciaux sont nécessaires et certaines pièces doivent être démontées pour remplacer le caoutchouc de la roue de frottement. Adressez-vous à une station technique agréée pour faire remplacer la roue de frottement ou téléphoner au service après-vente (voir la page 2) pour commander une notice d'utilisation.

Pour inspecter la roue de frottement, procédez comme suit:

- Laissez le moteur tourner jusqu'à ce qu'il tombe en panne d'essence. N'essayez pas de verser l'essence du moteur.
- Basculez doucement la souffluse vers l'avant pour la faire reposer sur l'habitacle de la tarière.
- Démontez le couvre-châssis du dessous de la souffluse en retirant les quatre vis auto-taradeuses qui le maintiennent en place. Voir la Fig. 7-9.
- Examinez soigneusement la roue de frottement pour détecter tout signe d'usure ou de fendillement.

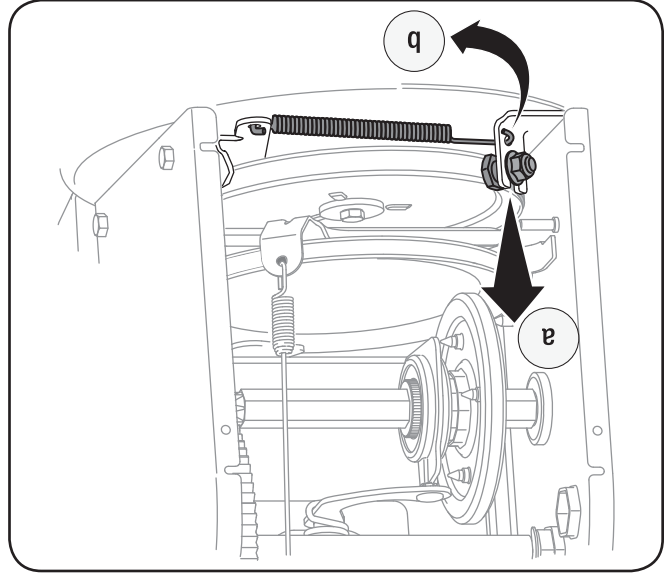
Démontage de la roue de frottement (600 Series)

Fig. 7-9



- Si la souffluse n'avance pas lorsque la commande est enclenchée, et si l'ajustement du câble de commande explique ne parvient pas à corriger le problème, il faudra peut-être remplacer la roue de frottement. Suivez les instructions ci-dessous. Assurez-vous qu'il n'y a aucun signe d'usure ou de fendillement sur la roue de frottement et remplacez-la au besoin:
- Laissez le moteur tourner jusqu'à ce qu'il tombe en panne d'essence. N'essayez pas de verser l'essence du moteur.
 - Placez le levier de vitesses à la 3e position de marche avant.
 - Basculez doucement la souffluse vers l'avant pour la faire reposer sur l'habitacle de la tarière.
 - Démontez le couvre-châssis du dessous de la souffluse en retirant les quatre vis auto-taradeuses qui le maintiennent en place. Démontez la roue de droite en enlevant la vis et la rondelle creuse qui la maintiennent sur l'essieu. Voir la Fig. 7-9.

7. Dégagez la courroie comme suit. Voir la Fig. 7-5.



- a. Desserrez et retirez la vis à épaulement qui sert de guide-courroie.
- b. Décochez le ressort du support du châssis.

8. Dégagez la courroie de la poulie de la tarière et faites glisser la courroie en le support et la poulie de la tarière. Voir la Fig. 7-6.

9. Remontez la courroie de la tarière en procédant dans l'ordre inverse.

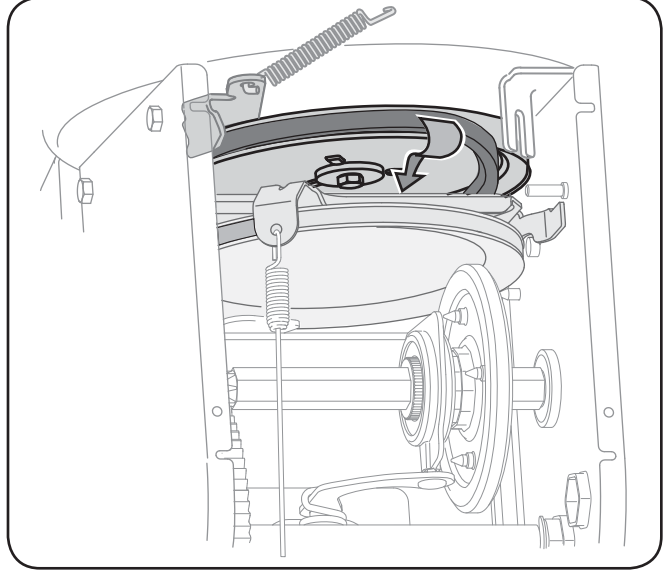


Fig. 7-6

REMARQUE : N'oubliez PAS de réinstaller la boulon à épaulement et de raccrocher le ressort sur le châssis après avoir installé la courroie de la tarière neuve.

10. Après avoir remplacé la courroie de la tarière, effectuez à nouveau le « Test de la commande des tarières » à la page 11 du chapitre « Assemblage et montage ».

Courroie de transmission

Pour démonter et remplacer la courroie de transmission de la souffreuse, procédez comme suit :

1. Laissez le moteur tourner jusqu'à ce qu'il tombe en panne d'essence. N'essayez pas de verser l'essence du moteur.
2. Retirez le couvre-courroie en plastique sur le devant du moteur en enlevant les deux vis auto-taradeuses. Voir la Fig. 7-1.
3. Dégagez la courroie comme suit. Voir la Fig. 7-7:

a. Dégagez la courroie de la tarière de la poulie motrice.

b. Pivotez la poulie de tension vers la droite.

c. Dégagez la courroie de transmission de la poulie motrice.

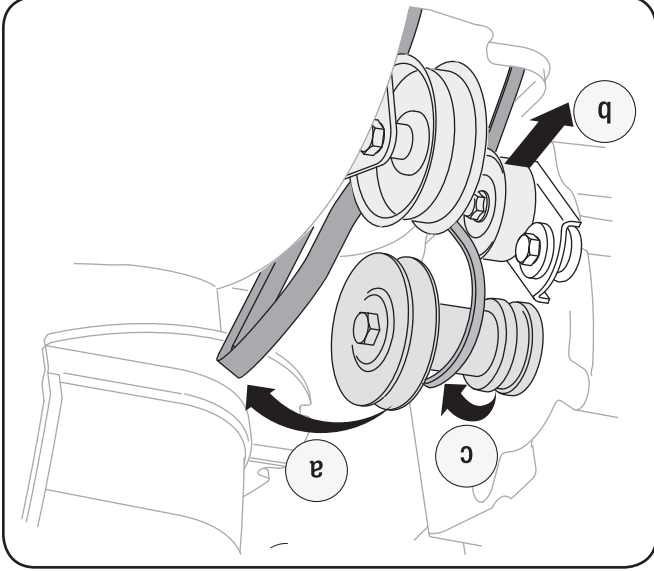


Fig. 7-7

4. Basculez doucement la souffreuse vers l'avant pour la faire reposer sur l'habitacle de la tarière.

5. Démontez le couvre-châssis du dessous de la souffreuse en retirant les quatre vis auto-taradeuses qui le maintiennent en place. Voir la Fig. 7-3.

Remplacement de la courroie

Courroie de la tarière

Pour démonter et remplacer la courroie de la tarière de la souffreuse, procédez comme suit :

1. Laissez le moteur tourner jusqu'à ce qu'il tombe en panne d'essence. N'essayez pas de verser l'essence du moteur.
2. Retirez le couvre-courroie en plastique sur le devant du moteur en enlevant les deux vis auto-taradeuses. Voir la

Fig. 7-1.

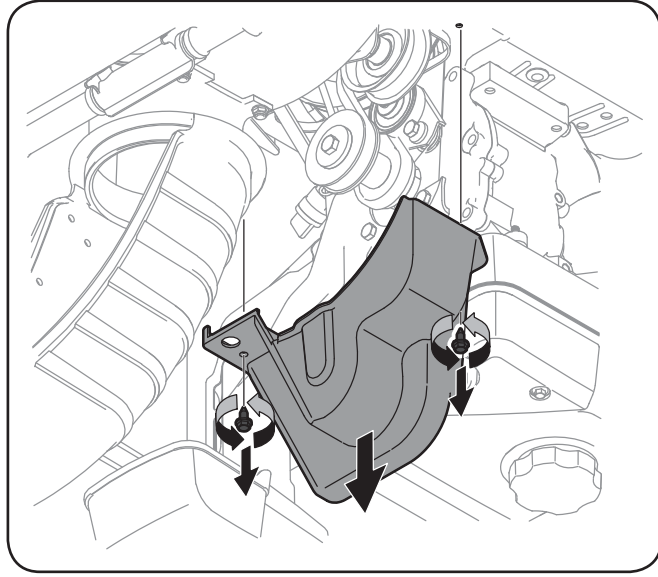


Fig. 7-1

3. Retirez le protecteur de la courroie de fil en enlevant les deux boulons à tête hexagonale et les rondelles plates. Voir

Figure 7-2.

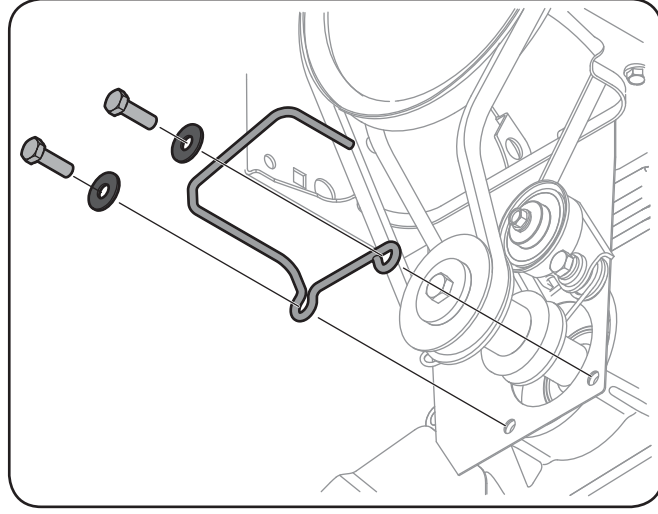


Fig. 7-2

4. Dégagez la courroie de la tarière de la poulie motrice. Voir

la Fig. 7-3.

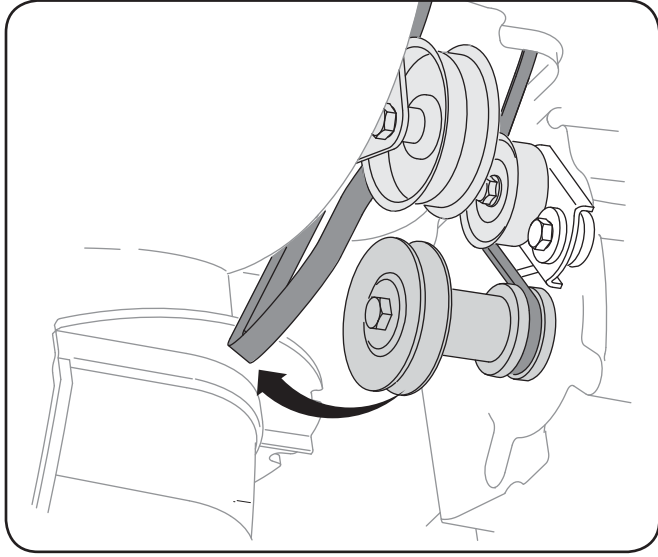


Fig. 7-3

5. Basculez doucement la souffreuse vers l'avant pour la faire reposer sur l'habitacle de la tarière.
6. Démontez le couvre-châssis du dessous de la souffreuse en retirant les quatre vis auto-taradeuses qui le maintiennent en place. Voir la Fig. 7-4.

Fig. 7-4

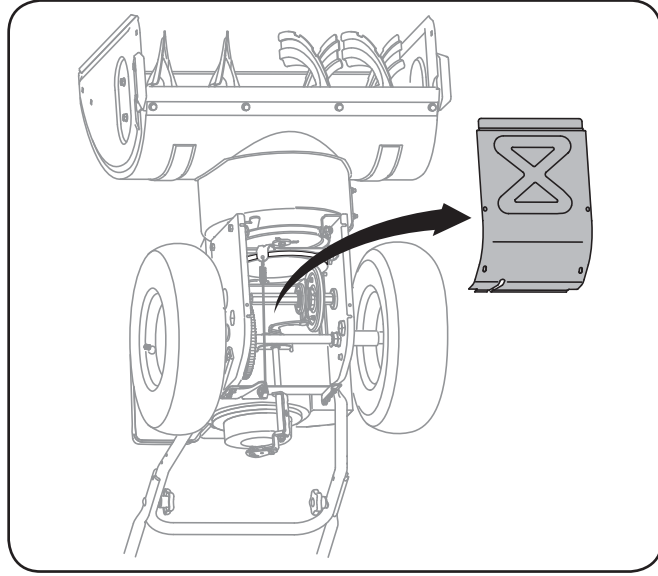
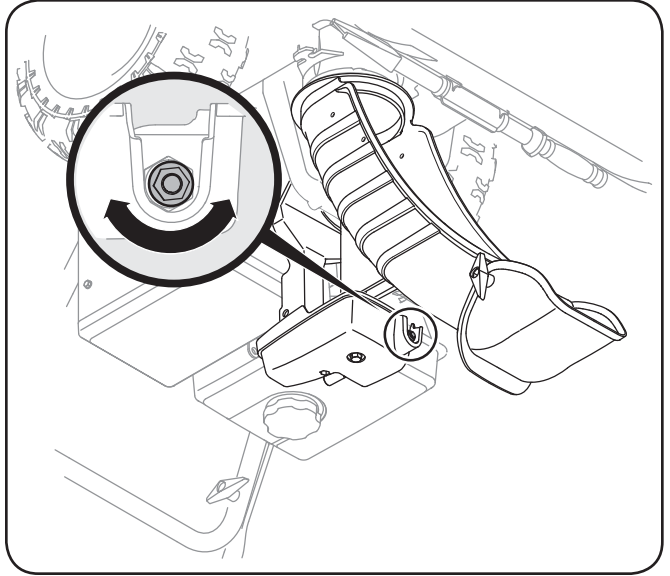


Fig. 6-6



2. Redressez le support vers le haut pour obtenir plus de jeu (ou vers le bas pour augmenter la tension du câble.)
 3. Resserrez le vis à six pans inférieur.
 4. Répétez le test pour vérifier l'ajustement de la commande de la transmission.
- Ajustement de la manivelle de commande de la goulotte**
- Si la goulotte ne reste pas stationnaire lors du fonctionnement, augmentez la tension sur la manivelle de commande de la goulotte.
- Tout en empêchant la manivelle de commande de la goulotte de tourner, serrez l'écrou sur la boîte de vitesses de la goulotte. Voir la Fig. 6-6.
- Si la commande de direction la goulotte est difficile à tourner, diminuez la charge initiale en desserrant l'écrou hex. dans le sens contraire des aiguilles d'une montre dans des intervalles de ¼ de tour.

Instructions de remisage

- Si la souffleuse doit être entreposée pendant plus de 30 jours, préparez-le de la façon selon les instructions ci-dessous.
 - Lubrifiez la machine comme instruite précédemment dans ce chapitre.
 - Entrezposez la souffleuse dans un endroit sec et propre.
 - Avant de remiser la souffleuse dans un abri mal aéré, assurez-vous de protéger les composants de la rouille en enduisant avec un couche d'huile légère ou de silicone.
 - Nettoyez l'extérieur du moteur et de la souffleuse.
- IMPORTANT:** Lorsque que l'unité est entreposée ou lorsqu'elle n'est pas utilisée, celle-ci doit être conservée en position normale d'utilisation soit avec les deux roues et le boîtier des tarières appuyés au sol.
- REMARQUE:** Consultez la notice d'utilisation du moteur quant au remisage hors saison.

Arbre de la tarière

Enlevez les goupilles de cisaillement sur l'arbre de la tarière, au moins une fois par saison. Vaporisez un lubrifiant à l'intérieur de l'arbre et autour des entretoises. Lubrifiez aussi les roulements à bride trouvés à chaque extrémité de l'arbre de la tarière. Voir la Fig. 6-3.

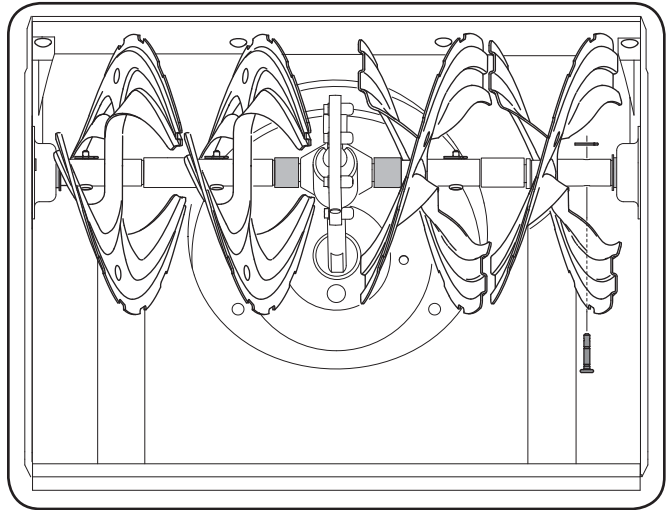


Fig. 6-3

Réglages

Câble de changement de vitesses

Si vous ne pouvez utiliser toute la gamme des vitesses (avant et arrière), effectuez les réglages suivants :

1. Placez le levier de vitesses à la position de la marche avant la plus rapide.
2. Desserrez l'écrou à six pans sur le support indexé du câble de changement de vitesses. Voir la Fig. 6-4.
3. Abaissez le support vers le bas pour éliminer tout jeu dans le câble.
4. Resserrez l'écrou à six pans.
5. Si d'autres réglages sont nécessaires, déplacez le câble de changement de vitesses dans un autre trou du support indexé du câble.

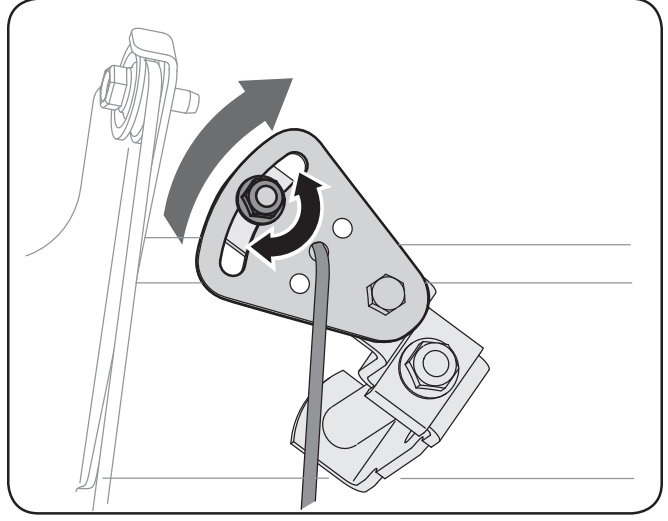


Fig. 6-4

Commande de la transmission

Le câble doit présenter très peu de jeu quand la commande de la transmission est débrayée et en position « relevée ». Le câble ne doit PAS être tendu.

IMPORTANT: Si un mou excessif est présent dans le câble d'entraînement ou si l'entraînement de la souffleuse désengage par intermittence lors du fonctionnement, un réglage du câble peut être nécessaire.

Vérifiez l'ajustement de la commande de la transmission comme suit :

1. La commande de transmission débrayée, poussez la souffleuse, puis tirez-la. La machine doit bouger facilement.

2. Embrayez la commande de traction et essayez de déplacer la souffleuse vers l'avant. Vous devez sentir une résistance.

3. Débrayez la commande de la transmission, déplacez plusieurs fois le levier de vitesses d'avant en arrière entre les positions R2 et F6. Vous ne devez sentir aucune résistance dans le levier de vitesses.

Si l'un des tests ci-dessus échoue, ajustez le câble de la transmission. Continuez comme suit :

1. Desserrez le vis à six pans inférieur sur le support du câble de la transmission. Voir la Fig. 6-5.

Consultez le chapitre « Assemblage et Montage » pour des instructions sur le réglage du câble de la commande de la tarière.

Commande de la tarière

Consultez le chapitre « Assemblage et Montage » pour des instructions sur le réglage du câble de la goulotte.

Ensemble de la goulotte

Consultez le chapitre « Assemblage et Montage » pour des instructions sur le réglage de les patins.

Fig. 6-5: Diagram showing the adjustment of the transmission cable support. An arrow indicates the lower screw being loosened.

Fig. 6-5

Entretien

Moteur

Consultez la notice d'utilisation du moteur fournie avec la souffleuse quant aux instructions d'entretien du moteur.

Pression des pneus

Consultez le chapitre "Assemblage et Montage".

Lame plate et patins

La lame plate et les patins sont installés sous la souffleuse et ils risquent de s'user. Vérifiez-les régulièrement et remplacez-les au besoin.

REMARQUE: Certains modèles sont équipés de patins ultra-

robustes qui peuvent être retournés pour accroître leur durée de vie.

Pour retirer les patins:

1. Enlevez les quatre boulons ordinaires et les contre-écrous à embase qui les maintiennent sur la souffleuse.

2. Remontez les nouveaux patins avec les boulons ordinaires (deux sur chaque côté) et les contre-écrous à embase. Voir la Fig. 6-1.

3. Pour démonter la lame plate:

1. Enlevez les boulons ordinaires et le contre-écrou à embase qui la maintiennent ainsi que les patins sur la souffleuse.

2. Installez la lame plate neuve en vérifiant que la tête des boulons ordinaires se trouve à l'intérieur de l'habitacle.

Serrez à fond.

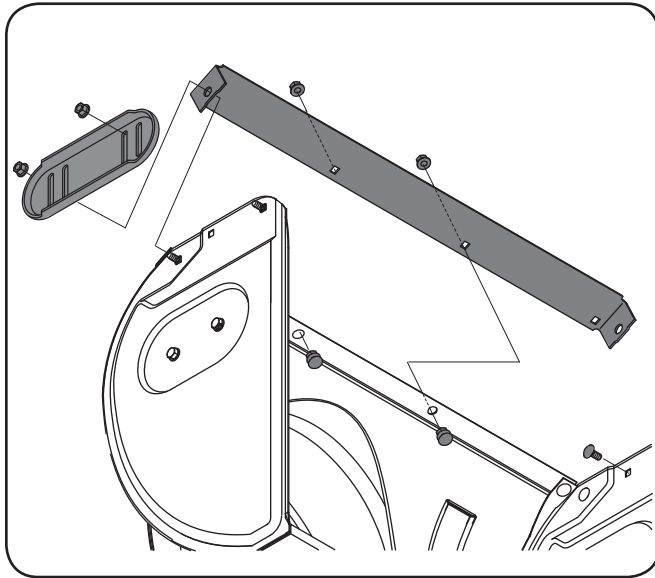


Fig. 6-1

Lubrification

Arbre de transmission

Lubrifiez l'arbre de transmission (hex.) au moins une fois par saison ou toutes les 25 heures d'utilisation.

1. Laissez tourner le moteur jusqu'à ce qu'il tombe en panne d'essence.

2. Basculez doucement la souffleuse vers l'avant pour la faire reposer sur l'habitacle de la tarière.

3. Enlevez le couvre-châssis en enlevant les deux vis auto-taradeuses qui le maintiennent.

4. Appliquez une légère couche de pâte anti-grippant sur

l'arbre hex. Voir la Fig. 6-2.

REMARQUE : Évitez de répandre de la pâte anti-grippant sur la roue de frottement en caoutchouc et sur la plaque d'entraînement en aluminium en lubrifiant l'arbre hex.

Faisant ceci gênera le système d'entraînement de la souffleuse. Essuyez toute éclaboussure.

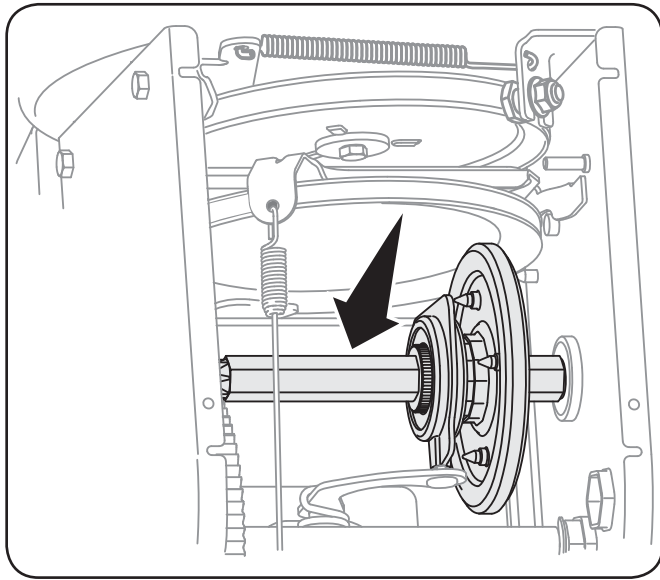


Fig. 6-2

Roues

Huilez ou vaporisez du lubrifiant sur les roulements des roues au moins une fois par saison. Démontez les roues, nettoyez et enduisez les essieux d'une graisse automobile à usages multiples.

Mise en marche et arrêt du moteur

Consultez la notice d'utilisateur de moteur emballé avec votre souffleuse à neige pour des instructions concernant le mise en marche et l'arrêt du moteur.

Pour embrayer la transmission

1. Avec l'obturateur à la position Fast (lapin), placez le levier de changement de vitesse à l'une des six positions de marche avant (F) ou à l'une des deux positions de marche arrière (R). Choisissez la vitesse adaptée aux conditions présentes.
2. Pressez la commande de la transmission contre le guidon droite pour avancer la souffleuse; lâchez-la pour arrêter.

Pour embrayer les tarières

1. Pour embrayer les tarières et pour commencer à projeter la neige, pressez la poignée d'embrayage gauche de la tarière contre le guidon gauche. Lâchez la poignée pour arrêter les tarières.
2. Alors que la commande de la tarière est embrayée, pressez la commande de la transmission pour avancer. Lâcher-la pour arrêter. Ne changez pas de vitesse quand la commande de la transmission est embrayée.

REMARQUE : Les instructions suivantes sont pour des modèles équipés avec le mécanisme de blocage en option.

REMARQUE: Cette même poignée permet de bloquer la commande de la tarière pour permettre au conducteur puisse orienter la goulotte sans cesser de projeter la neige.

3. Débrayez la commande de la tarière ; le mécanisme de blocage maintient la tarière engagée jusqu'à ce que la commande de la transmission soit débrayée.
4. Lâchez la commande de la transmission pour arrêter la tarière et les roues. Pour arrêter la tarière les deux poignées doivent être débrayées.

Remplacement de les goupilles de cisaillement

Deux goupilles de cisaillement et goupille fendue maintiennent les tarières sur l'arbre de la tarière. Les goupilles sont sensés de peut être cisailier si la souffleuse heurte un objet ou un bloc de glace. Voir la Fig. 5-1. Si les tarières ne tournent pas, vérifiez si les goupilles se sont cisailées.

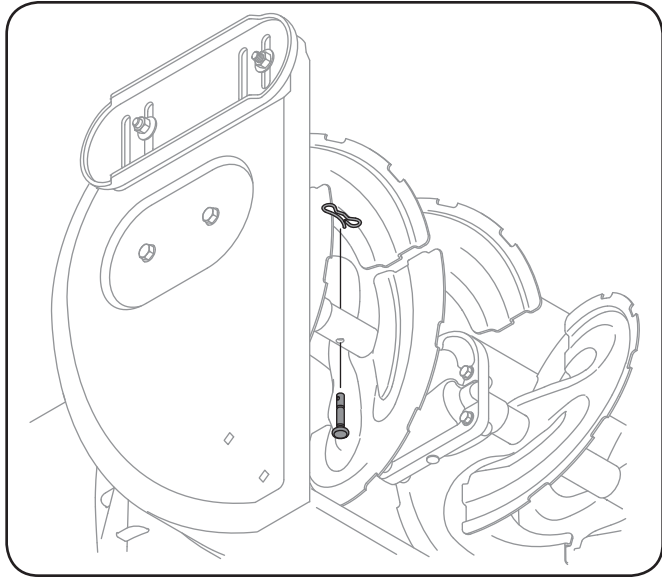
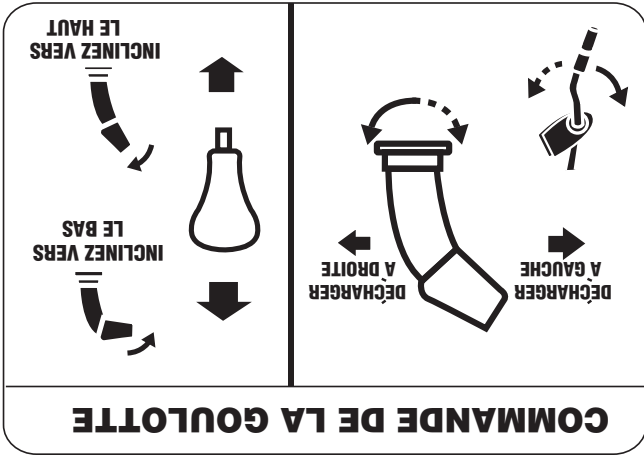


Fig. 5-1

AVERTISSEMENT : Ne remplacez jamais les boulons de cisaillement avec des boulons ordinaires. Aucun dommage à l'ensemble de la vis sans fin ou à d'autres composants par utiliser des boulons ordinaires ne sera couvert par la garantie de votre souffleuse.

AVERTISSEMENT : Arrêtez le moteur de la souffleuse et retirez la clé avant de remplacer les goupilles de cisaillement.

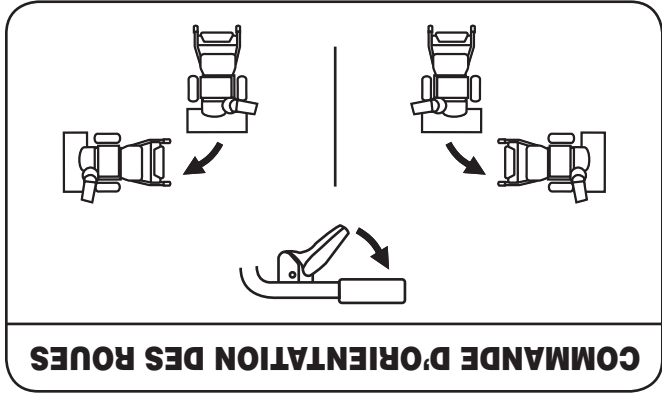




Commande de la goulotte à 2 fonctions (en option)
 Cette manette à 2 fonctions permet de contrôler la distance de projection de la neige par la goulotte. Inclinez la manette vers l'avant ou vers l'arrière pour ajuster la distance de projection.
Commande de direction de la goulotte (en option)
 La commande de direction de la goulotte peut être tournée dans le sens des aiguilles d'une montre ou dans le sens inverse pour changer la direction dans laquelle la neige est projetée.

IMPORTANT: Lâchez toujours la commande de la transmission avant de changer de vitesse.

Commande d'orientation des roues (le cas échéant)



Les commandes d'orientation des roues de droite et de gauche se trouvent en dessous des poignées.

- Serrez la commande de droite pour tourner vers la droite.
 - Serrez celle de gauche pour tourner vers la gauche.
- AVERTISSEMENT :** Utilisez la souffluse dans des espaces dégagés jusqu'à ce que vous soyez plus habitués aux commandes.



Outil de dégagement de la goulotte (le cas échéant)

AVERTISSEMENT : N'utilisez jamais vos mains pour déboucher un ensemble de la goulotte

obstruée. Arrêtez le moteur et restez derrière des guidons jusqu'à ce que toutes les pièces en mouvement se soient immobilisées avant de déboucher.

Cet outil est maintenu sur l'arrière de l'habitacle de la tarière

par une attache. Servez-vous de cet outil pour éliminer les accumulations de neige et de glace dans la goulotte, procédez comme suit pour nettoyer la goulotte et l'ouverture de la

goulotte:

1. Débrayez la manette de commande de la tarière et la manette de blocage de la traction/tarière.
 2. Arrêtez le moteur comme instruit dans la notice d'utilisateur de moteur.
 3. Détachez l'outil de dégagement de la goulotte de sa position sur l'arrière de l'habitacle de la tarière.
 4. Utilisez l'extrémité en forme de pelle pour déloger et retirer la neige ou la glace qui s'est accumulée dans la goulotte.
 5. Remplacez l'outil de dégagement sur l'attache à l'arrière de l'habitacle de la tarière. Remettez la clé de contact et faites démarrer la souffluse.
- Tenez-vous au poste de conduite (derrière la souffluse) et embrayez la commande de la tarière pendant quelques secondes pour dégager tout reste de neige ou de glace de la goulotte d'éjection.

Barres de coupe (le cas échéant)

Les barres de coupe servent en cas d'accumulation importante de neige. Utilisez au besoin dans des conditions normales. Manoeuvrez la souffluse de sorte que les barres de coupe pénètrent le haut du banc de neige pour aider à la neige de tomber dans les tarières pour être soufflée.

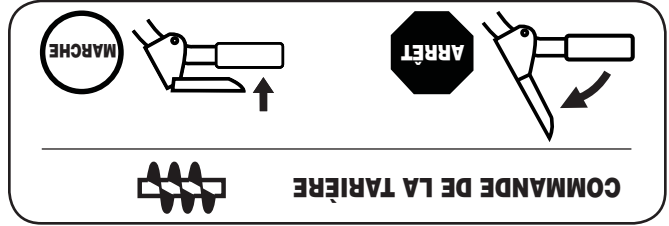
Commutateur de chauffage des poignées (le cas échéant)



Il se trouve sur la droite du tableau de commande de la souffluse. Pour chauffer les poignées, poussez le commutateur vers la droite. Poussez le commutateur vers la gauche, à la position « Arrêt », après avoir utilisé la souffluse.

Commande de la tarière

Elle se trouve sur le guidon gauche. Serrez la commande de la tarière contre le guidon pour embrayer la tarière et pour débrayer la neige. Lâchez-la pour arrêter.



Blocage de la commande de transmission/des tarières (le cas échéant)



Elle se trouve sur la droite du guidon. Serrez la manette de commande contre le guidon pour embrayer les roues. Lâchez-la pour les arrêter.

La commande de la transmission permet aussi de bloquer les tarières pour que le conducteur puisse changer l'orientation de la goulotte sans interrompre la projection de la neige. Si la commande des tarières est embrayée en même temps que la commande de la transmission, le conducteur peut lâcher la commande des tarières (sur la gauche). Les tarières continueront à fonctionner. Quand le conducteur lâche les deux commandes, les tarières et les roues s'arrêtent.

Les commandes et les caractéristiques de la souffleuse sont décrits ci-dessous et illustrés à la Figure 4-1.

Levier de vitesses

Le levier de vitesses se trouve au milieu du tableau de bord et sert à choisir la vitesse et la direction de déplacement.

Avant

La souffleuse a six marches avant (F). La position 1 est la plus lente et la position 6 la plus rapide.

Arrière

La souffleuse a deux marches arrière (R2), R1 étant la plus lente des deux, et deux est la plus rapide.

Phare (le cas échéant)

La neige est dirigée vers le logement de la tarière et est déchargée par l'ensemble de la goulotte.

Goulotte

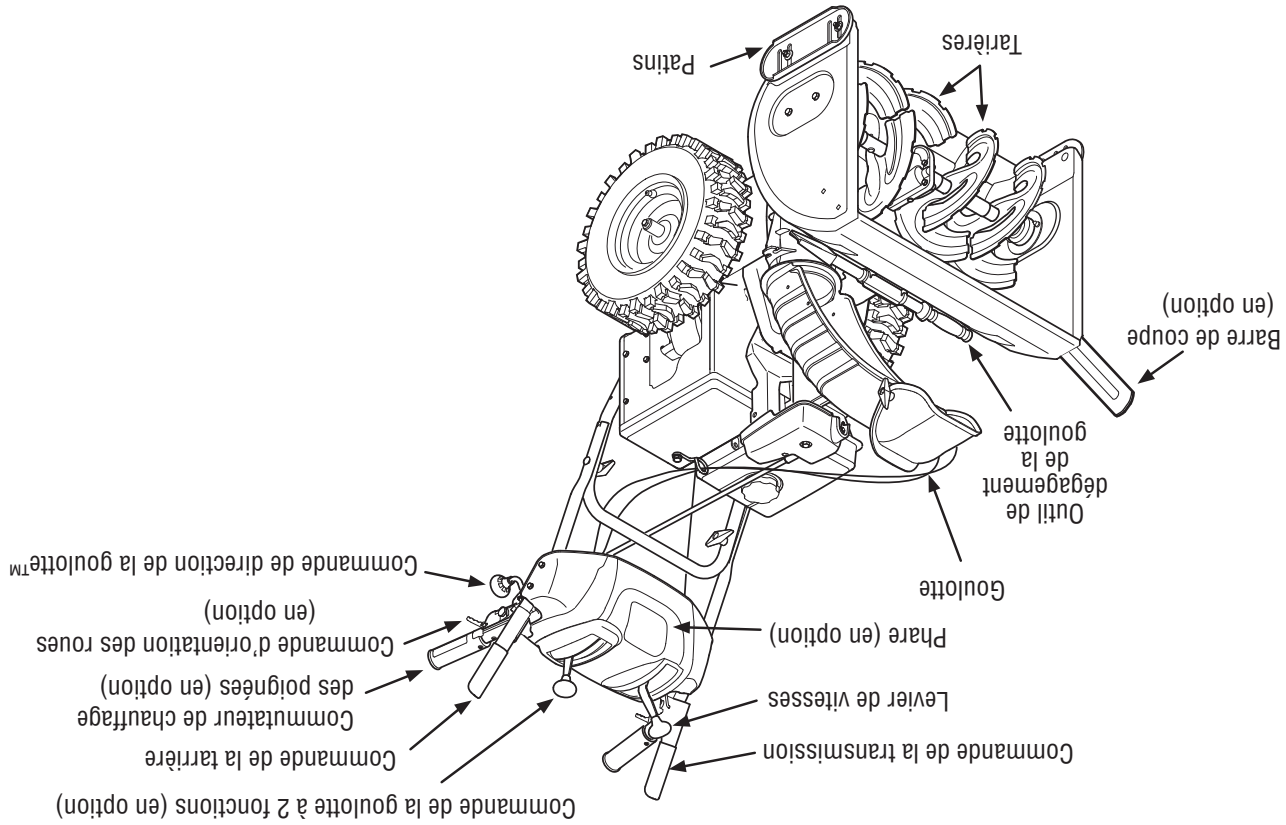
Lorsque les tarières sont embrayées, elles tournent et dirigent la neige vers l'habillage.

Tarières

Positionnez les patins en fonction de la surface de travail. Redressez-les si la neige est tassée et abaissez-les pour travailler sur des surfaces recouvertes de gravier ou de pierre concassée.

Patins

Fig. 4-1



Test de la commande de la tarière



AVERTISSEMENT: Avant d'utiliser votre souffleuse, lisez et suivez soigneusement les instructions. Effectuez tous les ajustements pour vérifier que votre souffleuse fonctionne sans risque et correctement.

Faites ce test avant d'utiliser la souffleuse pour la première fois et au début de chaque saison d'hiver.

Vérifiez le réglage de cette commande de la façon suivante :

1. Débrayez la commande et placez-la en position «relève» : Le câble doit présenter très peu de jeu SANS toutefois être tendu.

2. Choisissez un endroit bien aéré et faites démarrer la souffleuse selon les instructions dans la notice d'utilisation qui accompagne la souffleuse.

3. Tenez-vous à la position de conduite (derrière la souffleuse) et enclenchez la tarière.

4. Attendez environ dix secondes avant de débrayer la tarière. Répétez cette opération plusieurs fois.

5. Avec la manette de commande de la tarière à la position débrayée et « relève », placez-vous devant la machine.

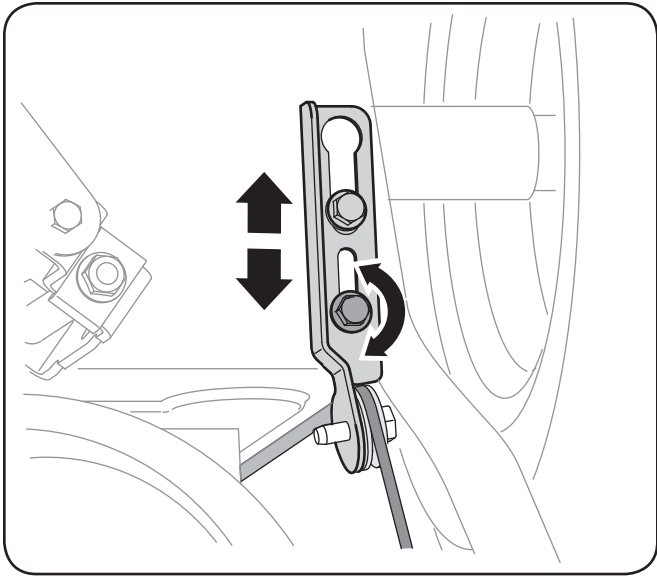
6. Vérifiez que la tarière est totalement immobilisée et qu'aucune pièce ne bouge. Si la tarière n'est pas complètement immobile, retournez immédiatement à la position de conduite et arrêtez le moteur. Attendez que TOUTES les pièces se soient immobilisées avant d'ajuster à nouveau le câble de la tarière.

7. Pour ajuster à nouveau le câble de commande, desserrez le vis à six pans supérieur du support de la commande de la tarière. Voir la Fig. 3-15.

8. Redressez le support vers le haut pour obtenir plus de jeu (ou vers le bas pour augmenter la tension).
9. Resserrez ensuite le vis à six pans supérieur.

10. Répétez le test pour vérifier l'ajustement de la commande de la tarière.

Fig. 3-15



Réglages

Goulotte (en option)

La distance de projection peut être modifiée en changeant l'angle de la goulotte.

1. Arrêtez le moteur comme instruit dans la notice d'utilisateur de moteur et attendez que toutes les pièces se soient immobilisées.
2. Desserrez le bouton sur le côté gauche de la goulotte d'éjection pour la régler.
3. Faites pivoter la goulotte à la position voulue et resserrez le bouton. Voir la Fig. 3-12.

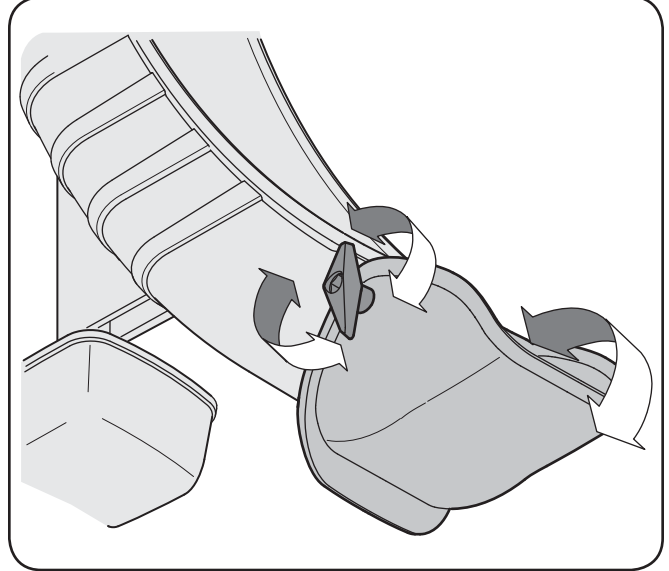


Fig. 3-12

Patins

L'espace entre la lame plate et le sol peut être ajusté en ajustant les patins.

Patins

Les patins de la soufflées à neige sont ajustés vers le haut pour l'expédition. Ajustez-les vers le bas, si besoin est, avant d'utiliser la souffluse à neige.

AVERTISSEMENT: Il est déconseillé d'utiliser la souffluse sur une surface recouverte de gravier qui, s'il est projeté par la tarière, peut causer des blessures corporelles et des dégâts matériels.

- Pour débayer complètement la neige, placez les patins à la position plus haute sur l'habillage.
- Utilisez les positions intermédiaire ou base lorsque la surface à débayer est irrégulière.

REMARQUE: Si pour une raison quelconque, vous devez utiliser la souffluse sur une surface recouverte de gravier, réglez les patins à la position la plus haute pour assurer un dégagement maximal entre le sol et la lame plate.

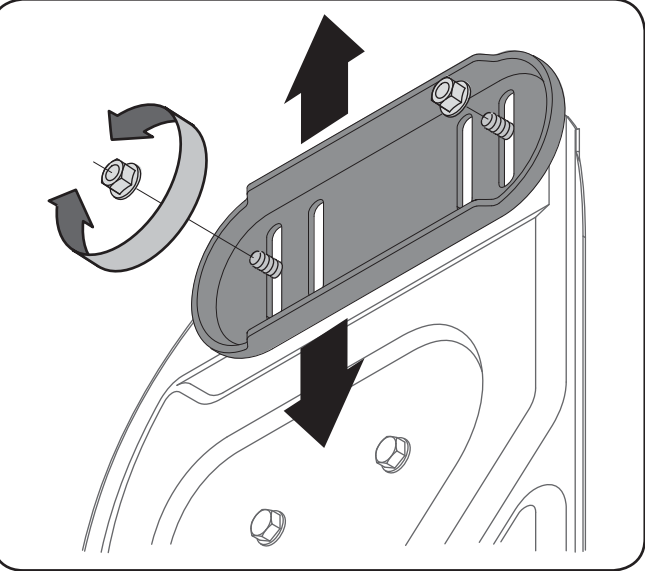


Fig. 3-14

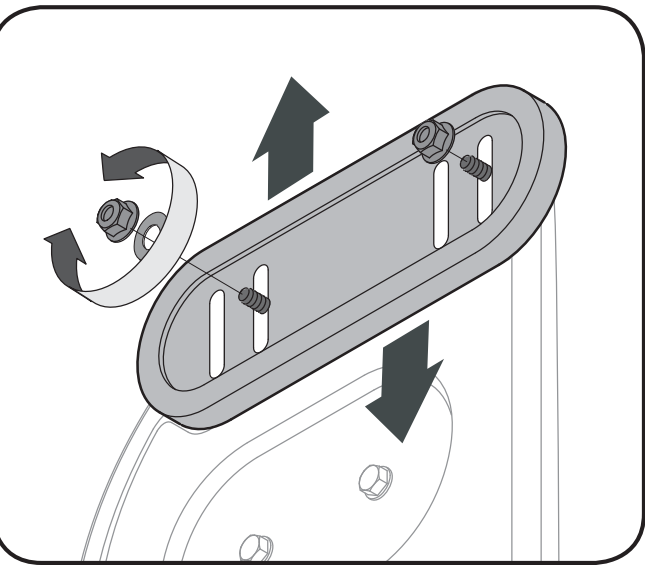


Fig. 3-13

1. Ajustez les patins en desserrant les quatre contre-écrous à embase (deux de chaque côté) et les boulons ordinaires. Placez les patins à la position voulue.
 2. Vérifiez que toute la surface inférieure des patins est de niveau et en contact avec le sol pour éviter leur usure inégale.
 3. Serrez les boulons et les écrous à fond.
- REMARQUE:** Certains modèles sont équipés de patins ultra-robustes qui peuvent être retournés pour accroître leur durée de vie.

AVERTISSEMENT: Ne dégagez jamais la neige ou la glace près de la tarière ou dans la goulotte à la main.



Faisceau de câblage du phare (le cas échéant)

La borne sur l'attache qui maintient le faisceau de câbles sur le guidon inférieur doit être enfoncée dans le trou du guidon inférieur. Faites passer la partie détendue du faisceau de câbles dans l'attache pour éviter toute interférence avec la poignée du démarreur à lanceur. Voir la Fig. 3-11.

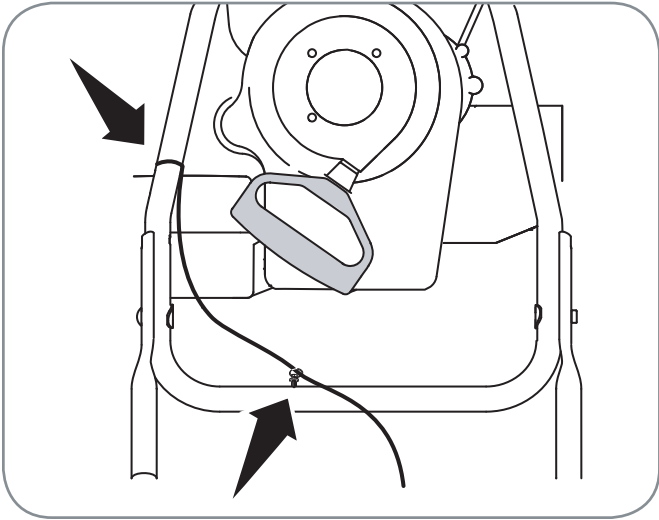


Fig. 3-11

Remisage de la gouilles de cisaillement (en option)

Sur quelques modèles, une petite case est prévue à l'arrière du tableau de bord en plastique pour remiser la gouille de cisaillement.

Patins

Positionnez les patins en fonction de la surface de travail. Redressez-les si la neige est tassée et abaissez-les pour travailler sur des surfaces recouvertes de gravier ou de pierre concassée. Consultez le chapitre « Réglages ».

Pression des pneus

Les pneus sont gonflés excessivement pour l'expédition. Avant l'utilisation, vérifiez la pression des pneus avant d'utiliser la souffluse. La pression recommandée par le fabricant est indiquée sur le flanc des pneus et réduisez (ou augmentez) la pression dans les pneus selon le besoin.



AVERTISSEMENT: Ne dépassez jamais la pression recommandée par le fabricant. La pression doit toujours être égale dans tous les pneus. Une pression excessive à l'installation des talons peut provoquer l'explosion de l'ensemble pneu et jante et causer des blessures graves. La pression recommandée est indiquée sur le flanc du pneu.

REMARQUE: La pression doit toujours être égale dans tous les pneus.

Barres de coupe (le cas échéant)

- Elles servent en cas d'accumulation importante de neige.
- Sur les modèles si équipés, les barres de coupe et la boulonnerie sont assemblées à l'envers sur l'habitacle des tarières.
- Enlevez les boulons ordinaires en dévissant les écrous à oreilles qui maintiennent les barres de coupe en place.
- Positionnez les barres de coupe pour qu'elles font face à l'avant comme illustré à la Fig. 3-8. Maintenez-les en place avec la boulonnerie enlevée précédemment, les écrous à oreilles devraient être attachés sur l'extérieur du logement comme illustré.

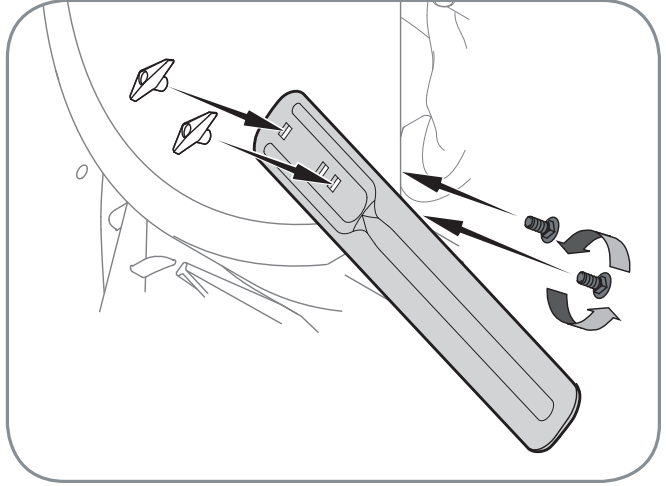


Fig. 3-9

Outil de dégagement de la goulotte

Un outil de dégagement de la goulotte est maintenu sur le dessus de l'habitacle de la tarière avec une attache. L'outil sert à dégager une goulotte bouchée. Consultez la page pour plus de renseignements concernant cet outil.

REMARQUE: Cette pièce est à été fixée avec un attache-câble sur l'arrière de l'habitacle de la tarière à l'usine. Coupez l'attache-câble avant de mettre la souffluse en marche.

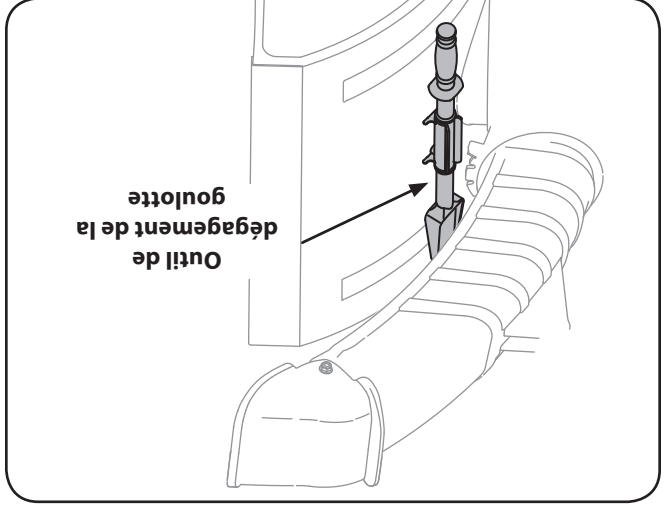


Fig. 3-10

- Placez la goulotte sur sa base et attachez-la sur son support en utilisant l'axe de chape et la goupille fendue enlevés plus tôt. Voir la Fig. 3-4.

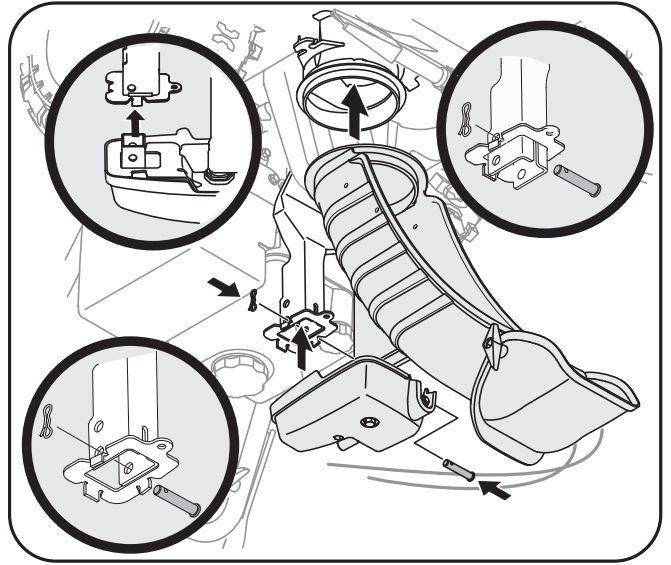


Fig. 3-4

- Continuez l'installation de la goulotte sur son support avec l'écrou à oreilles et la vis hex. retirez plus tôt. Voir la Fig. 3-5.

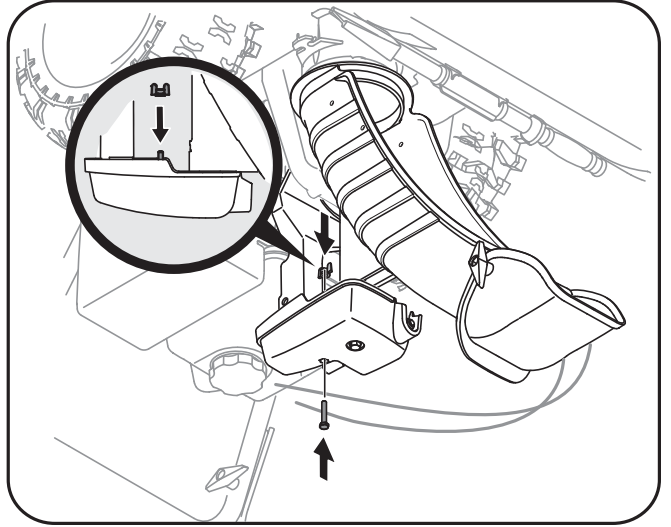


Fig. 3-5

- Guidez la tige à travers le support situé sur l'arrière du tableau de bord. Voir la Fig. 3-6.

- Retirez la goupille fendue et insérez la manivelle de commande de la goulotte dans le raccord sur l'ensemble de la commande de la goulotte. Voir la Fig. 3-7.
- Alignez le trou sur la manivelle de commande de la goulotte avec le trou sur le raccord et maintenez en place avec la goupille fendue enlevée précédemment.

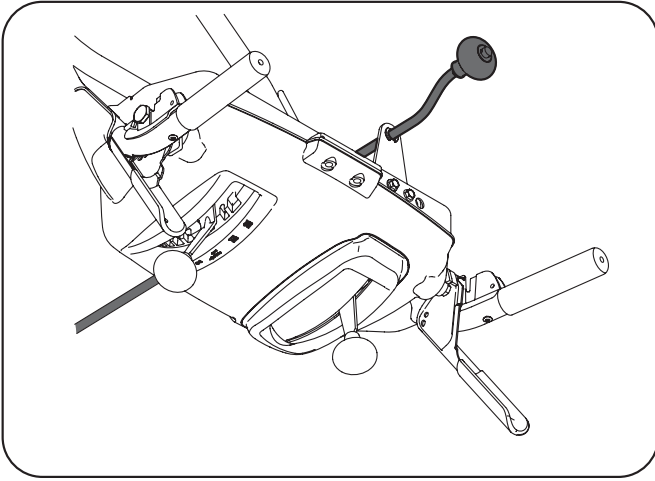


Fig. 3-6

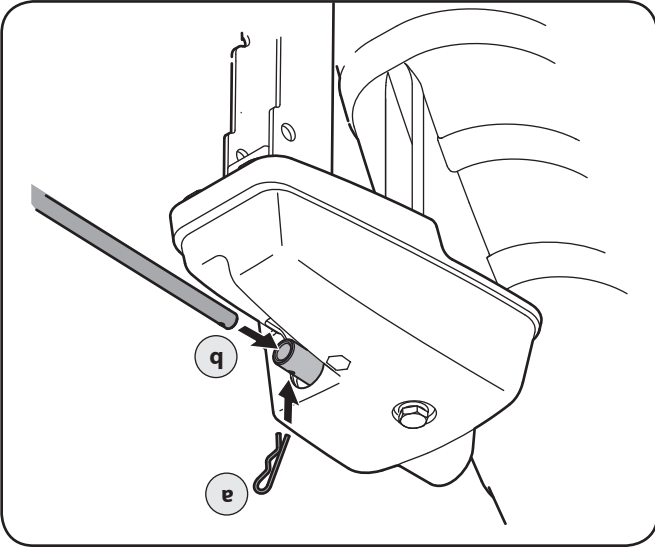


Fig. 3-7

- Vérifiez que tous les câbles (le cas échéant) sont acheminés dans le guide sur la droite de la manivelle de commande de la goulotte. Voir la Fig. 3-8.

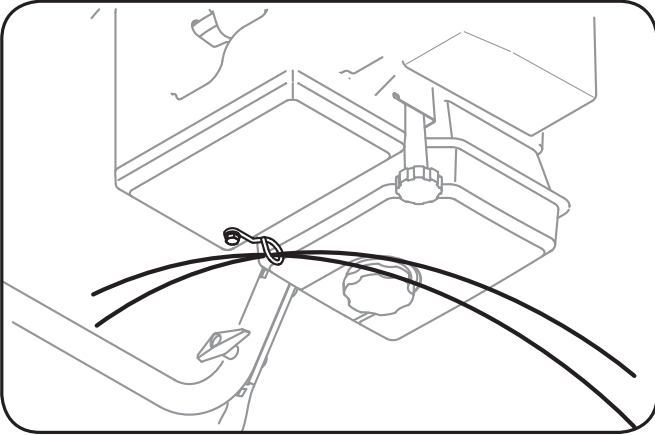


Fig. 3-8

REMARQUE: Enlever toutes les parties détachées et matériel emballant avant de l'assembler. **REMARQUE:** Les côtés droit et gauche de la souffreuse sont déterminés du poste de conduite, derrière la souffreuse.

REMARQUE: Cette notice d'utilisation couvre plusieurs modèles. Les traits du souffreuse varient par le modèle. Pas toutes les traits discutées dans ce notice sont applicables à tous les modèles de souffreuse.

REMARQUE: Certains modèles à démarreur électrique sont équipés d'un fil électrique qui est maintenue sur l'arrière de l'habitacle de la tarière avec un attache-câble pour l'expédition. Coupez l'attache-câble et jetez-le avant d'utiliser la souffreuse.

Installation du guidon

- Placez le levier de vitesses dans la 6e position de marche avant.

- Assurez-vous que les deux câbles, sur la partie inférieure de la souffreuse, sont bien alignés avec les rouleaux de guidage. Voir la Fig. 3-1. Redressez le guidon supérieur, alignez le guidon supérieur avec le guidon inférieur. Voir la Fig. 3-2.

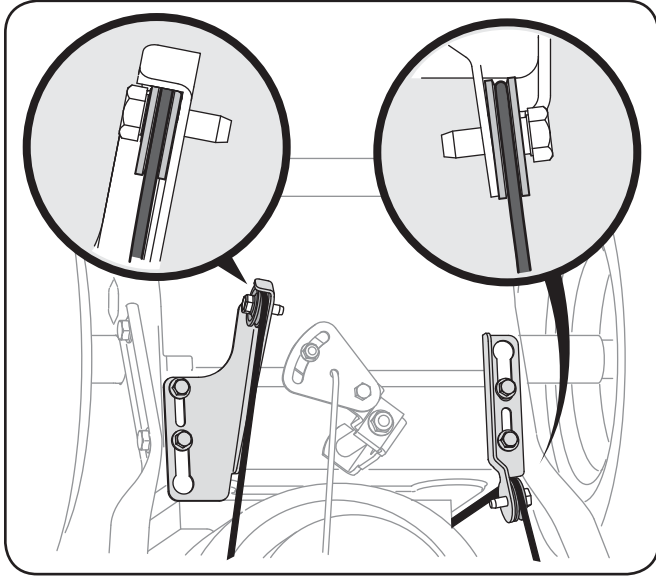


Fig. 3-1

- Ajustez le guidon en serrant les boutons à oreilles en plastique qui se trouvent sur les deux côtés du guidon. Enlevez et jetez tout élastique en caoutchouc le cas échéant. Ils ne servent qu'à l'emballage.

Installation de la goulotte

- Retirez l'écrou à oreilles et la vis hex. qui se trouvent sur la commande de la goulotte ainsi que la goupille fendue et l'axe de chape sur le support de la goulotte. Voir la Fig. 3-3. Positionnez la goulotte (tournée vers l'avant) sur sa base.

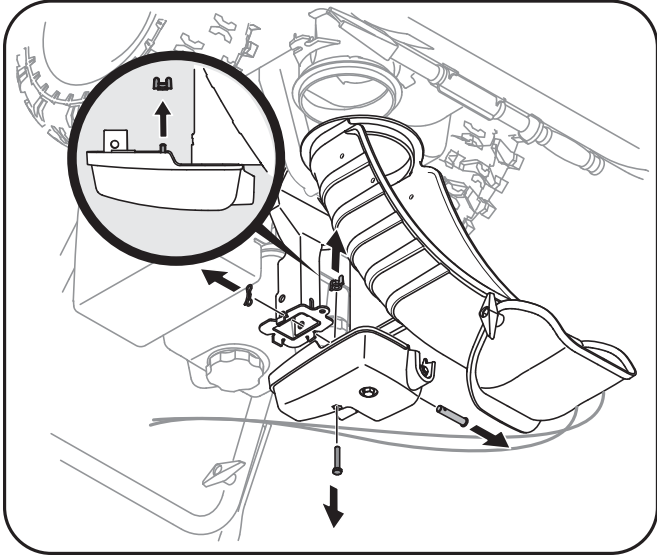


Fig. 3-3

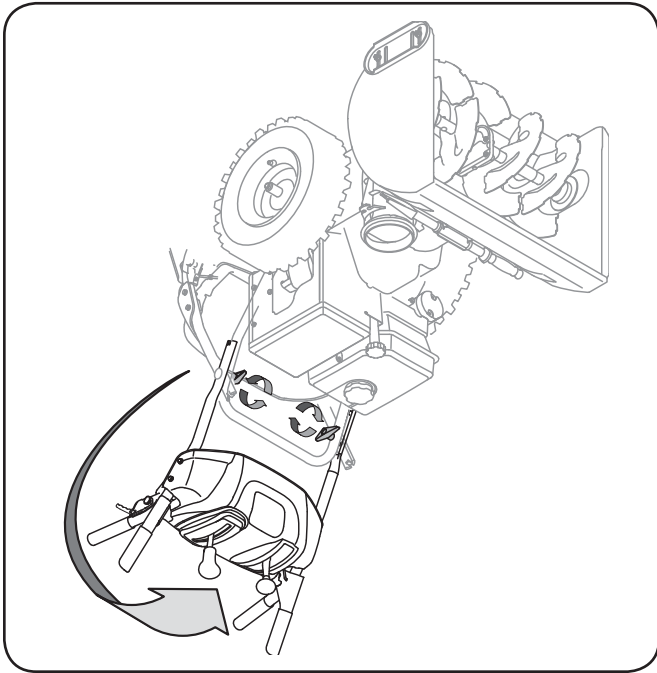
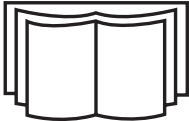











Fig. 3-2


Cette page illustre et explique les symboles de sécurité qui peuvent se trouver sur cette machine. Veuillez lire et suivre toutes les instructions sur la machine et vous assurer de bien les comprendre avant d'essayer d'assembler et d'utiliser la machine.

Description	Symbol
<p>VEUILLEZ LIRE LA OU LES NOTICES D'UTILISATION. Veuillez lire et suivre toutes les instructions sur la machine et vous assurer de bien les comprendre avant d'essayer d'assembler et d'utiliser la machine.</p>	
<p>AVERTISSEMENT — PORTEZ DES LUNETTES DE PROTECTION ET DES PROTECTEURS D'OREILLES Les objets projetés et les bruits forts peuvent causer de graves blessures aux yeux et aux oreilles. Portez des lunettes de protection conformes aux normes ANSI Z87.1 et des protecteurs d'oreilles lorsque vous utilisez l'appareil.</p>	
<p>AVERTISSEMENT – LAMES EN MOUVEMENT N'approchez pas les mains de l'ouverture d'éjection pendant que la machine fonctionne. Des lames en mouvement sont à l'intérieur.</p>	
<p>AVERTISSEMENT – TARIÈRES EN MOUVEMENT N'approchez pas les mains ou les pieds des pièces en mouvement, de l'habitacle des tarières/de la turbine ou de la goulotte. Les pièces en mouvement peuvent amputer mains et pieds.</p>	
<p>AVERTISSEMENT — GARDEZ LES SPECTATEURS ÉLOIGNÉS Gardez les spectateurs, surtout les enfants, éloignés de la zone de travail.</p>	
<p>AVERTISSEMENT – OBJETS PROJETÉS Cette machine peut ramasser et projeter des objets, ce qui peut causer des blessures graves.</p>	
<p>AVERTISSEMENT – L'ESSENCE EST UN PRODUIT INFLAMMABLE. Laissez le moteur refroidir pendant au moins deux minutes avant de refaire le plein.</p>	
<p>AVERTISSEMENT – MONOXYDE DE CARBONE Ne faites jamais fonctionner un moteur à l'intérieur ou dans un bâtiment mal ventilé. Les gaz d'échappement contiennent du monoxyde de carbone, un gaz inodore et mortel.</p>	
<p>AVERTISSEMENT – SECOUSSE ÉLECTRIQUE N'utilisez pas le démarreur électrique du moteur par temps pluvieux.</p>	
<p>AVERTISSEMENT - SURFACE CHAUDE Les pièces de moteur, particulièrement le silencieux, deviennent extrêmement chaudes lors du fonctionnement. Permettez le moteur et le silencieux de se refroidir avant de les toucher.</p>	

AVERTISSEMENT: Votre responsabilité. Cette machine ne doit être utilisée que par des personnes qui peuvent lire, comprendre et respecter les avertissements et instructions qui figurent dans cette notice et sur la machine

CONSERVEZ CES INSTRUCTIONS!



20. Pour mettre le moteur en marche, tirez lentement sur la corde jusqu'à ce que vous sentiez une légère résistance, puis tirez plus rapidement. La rétraction rapide de la corde du démarreur (recu) attire la main et le bras vers le moteur plus vite qu'il n'est possible de lâcher la corde. Ceci peut causer une fracture, des ecchymoses ou une entorse.
 21. Faites toujours preuve de bon sens dans des situations qui n'ont pas été abordées par cette notice d'utilisation. Adressez-vous au service après-vente pour obtenir le nom du concessionnaire le plus proche de chez vous.
- Pour dégager une goulotte obstruée**
- Un contact de la main avec la turbine en mouvement dans la goulotte d'éjection est la cause la plus courante des blessures associées aux souffluses.
- Ne vous servez jamais de vos mains pour dégager une goulotte d'éjection.
- Pour dégager la goulotte d'éjection:
1. ARRÊTEZ LE MOTEUR.
 2. Attendez 10 secondes pour vous assurer de l'immobilisation des lames de la turbine.
 3. Servez-vous toujours d'un outil de dégagement, jamais de vos mains.
- Entretien et Remisage**
1. Ne modifiez jamais les dispositifs de sécurité. Vérifiez souvent qu'ils fonctionnent correctement. Consultez les chapitres concernant l'entretien et les réglages dans cette notice d'utilisation.
 2. Avant de nettoyer, de réparer ou d'examiner la machine, débrayez toutes les commandes et arrêtez le moteur. Attendez que la tarrière/turbine se soit complètement immobilisée. Débranchez le fil de la bougie et mettez-le à la terre pour empêcher tout démarrage accidentel pendant le nettoyage, la réparation ou l'examen de la machine.
 3. Vérifiez régulièrement que les boulons et vis sont bien serrés et maintenez la machine en bon état de marche. Examinez soigneusement la machine pour vous assurer qu'elle n'est pas endommagée.
 4. Ne modifiez pas le réglage du régulateur et ne laissez pas le moteur s'emballer, ce qui peut être dangereux.
 5. Les plaques de ratage et les patins de la souffluse s'usent avec l'usage. Par mesure de sécurité, vérifiez souvent tous les composants et remplacez-les par des pièces authentiques seulement. L'utilisation de pièces qui ne sont pas conformes aux spécifications de l'équipement d'origine peuvent donner lieu à de mauvaises performances et compromettre la sécurité de l'utilisateur.
 6. Vérifiez fréquemment que les commandes fonctionnent bien et faites les réglages nécessaires. Consultez le chapitre «Réglages» dans la notice d'utilisation de la machine.
 7. Prenez soin des étiquettes de sécurité et d'instructions et remplacez-les au besoin.
 8. Respectez les règlements concernant l'élimination des déchets et liquides qui risquent de nuire à la nature et à l'environnement.
9. Laissez la machine fonctionner pendant quelques minutes pour éliminer la neige de la tarrière et éviter que l'ensemble de la tarrière et de la turbine ne gèle avant de remiser la souffluse.
10. Ne remisez jamais la machine ou les bidons d'essence à l'intérieur s'il y a une flamme, une étincelle ou une veilleuse (d'un chauffe-eau, un radiateur, un fourneau, un sèche-linge ou autre appareil à gaz).
11. Consultez toujours la notice d'utilisation quant aux instructions de remisage hors-saison.
12. Vérifiez souvent que la conduite, le réservoir, le capuchon d'essence et les raccords ne sont pas fendillés et ne fuient pas. Remplacez-les au besoin.
13. Ne faites pas tourner le moteur si la bougie n'est pas installée.
14. D'après la Consumer Products Safety Commission (CPSC - Commission sur la sécurité des produits de consommation) et la "U.S. Environmental Protection Agency" (EPA - Agence américaine de protection de l'environnement), ce produit a une durée de vie utile moyenne de sept (7) ans, ou 60 heures de fonctionnement. Au terme de cette durée de vie utile moyenne, achetez une machine neuve ou faites inspecter la machine chaque année par une station technique agréée pour vous assurer que tous les dispositifs mécaniques et de sécurité sont en bon état de marche et ne sont pas usés de façon excessive. Le non-respect de ces recommandations peut causer des accidents et des blessures graves ou mortelles.
- Ne modifiez pas le moteur.**
- Pour éviter toute blessure grave ou fatale, ne modifiez pas du tout le moteur. Toute modification du régulateur peut provoquer l'emballement du moteur et entraîner son fonctionnement à des vitesses dangereuses. Ne modifiez jamais le réglage de l'usine du régulateur.
- Avis concernant les émissions de gaz**
- Les moteurs certifiés conformes aux normes réglementaires de la Californie et de l'Agence EPA fédérales pour SORE (petit équipement hors route) sont certifiés pour fonctionner avec de l'essence sans plomb ordinaire et peuvent être dotés des systèmes de contrôle des émissions de gaz suivants : Engine Modification (EM) et Three Way Catalyst (TWC) le cas échéant.
- Paré-étincelles**
- 
- AVERTISSEMENT:** Cette machine est équipée d'un moteur à combustion interne et elle ne doit pas être utilisée sur un terrain non entretenu, recouvert de broussailles ou d'herbe si le système d'échappement du moteur n'est pas muni d'un pare-étincelles, conformément aux lois et règlements provinciaux ou locaux (le cas échéant). Si un pare-étincelles est utilisé, il doit être maintenu en bon état de marche par l'utilisateur de la machine. La station technique agréée la plus proche peut vous fournir un pare-étincelles pour le pot d'échappement de cette machine.

Manipulation de l'essence:

3. Toutes les manettes de commande doivent fonctionner facilement dans les deux directions et revenir automatiquement à la position de débrayage lorsqu'elles sont relâchées.
 4. Ne travaillez jamais sans la goulotte d'éjection ou si elle est endommagée. Laissez tous les dispositifs de sécurité en place et assurez-vous qu'ils sont en bon état.
 5. Ne faites jamais fonctionner la machine dans un local clos ou mal aéré car les gaz d'échappement du moteur contiennent du monoxyde de carbone, un gaz inodore très dangereux.
 6. Ne vous servez pas de la machine après avoir bu des boissons alcoolisées ou après avoir pris des médicaments.
 7. Le silencieux et le moteur deviennent très chauds et peuvent causer des brûlures. Ne les touchez pas.
 8. Soyez extrêmement prudent à proximité des routes, allées ou chemins en gravier. Faites attention aux dangers non évidents et à la circulation.
 9. Faites très attention en changeant de direction et en travaillant sur une pente. Ne travaillez jamais sur des pentes abruptes.
 10. Prévoyez de travailler en évitant de projeter la neige vers des fenêtres, murs, voitures, etc. car les débris peuvent ricocher et causer des blessures graves ou des dégâts matériels.
 11. Ne dirigez jamais la neige vers des enfants, des spectateurs et des animaux de compagnie et ne permettez jamais à quiconque de se tenir devant la machine.
 12. Ne fatiguez pas la machine en essayant de débayer la neige trop rapidement.
 13. N'utilisez pas la machine si la visibilité est mauvaise ou si la lumière est insuffisante. Gardez toujours un bon équilibre et tenez fermement le guidon. Marchez, ne courez pas.
 14. Débrayez la commande de l'ensemble de la tarière et de la turbine pour transporter la machine et lorsqu'elle n'est pas utilisée.
 15. Ne déplacez jamais rapidement la soufflante sur des surfaces glissantes. Soyez prudent en reculant.
 16. Arrêtez le moteur, débranchez le fil de la bougie et mettez-le à la terre contre le moteur si la machine commence à vibrer de façon anormale. Vérifiez que la machine n'est pas endommagée. Réparez tout dégât éventuel avant de la remettre en marche.
 17. Débrayez toutes les commandes et arrêtez le moteur avant de quitter le poste de conduite (derrière les guidons). Attendez que la tarière/turbine se soit complètement immobilisée avant de déboucher la goulotte d'éjection, de faire un ajustement quelconque ou d'examiner la machine.
 18. Ne placez jamais votre main dans la goulotte d'éjection ou près de l'admission. Utilisez toujours l'outil de débouchage pour déboucher l'ouverture de la goulotte. Ne débouchez pas la goulotte d'éjection pendant que le moteur tourne. Arrêtez le guidon jusqu'à ce que toutes les pièces en mouvement se soient immobilisées avant de déboucher la goulotte.
 19. N'utilisez que des accessoires homologués par le fabricant de la machine. (ex. poids de roues, chaînes, cabine etc.)
- a. Remisez le carburant dans des bidons homologués seulement.
 - b. Éteignez toute cigarette ou pipe, tout cigare ou toute autre source incandescente.
 - c. Ne faites jamais le plein à l'intérieur.
 - d. N'enlevez jamais le capuchon d'essence et n'ajoutez pas d'essence pendant que le moteur tourne.
 - e. Laissez le moteur refroidir pendant au moins deux minutes avant de faire le plein.
 - f. Ne faites jamais déborder le réservoir. Laissez un espace d'un demi-pouce environ pour permettre l'expansion du carburant.
 - g. Resserrez bien le capuchon d'essence.
 - h. En cas de débordement, essuyez toute éclaboussure sur le moteur et la machine. Déplacez la machine et attendez 5 minutes avant de la remettre en marche.
 - i. Ne remisez jamais la machine ou les bidons d'essence à l'intérieur s'il y a une flamme, une étincelle ou une veilleuse (d'un chauffe-eau, un radiateur, un fourneau, un sèche-linge ou autre appareil à gaz).
 - j. Laissez la machine refroidir pendant au moins 5 minutes avant de la remiser.
 - k. Ne remplissez jamais les contenants d'essence dans un véhicule, un camion ou une remorque à revêtement en plastique. Placez toujours les contenants au sol, loin de tout véhicule, pour faire le plein.
 - l. Si possible, déchargez l'équipement motorisé du camion ou de la remorque et faites le plein au sol. Si ce n'est pas possible, faites le plein de l'équipement motorisé sur le camion ou la remorque en utilisant un contenant d'essence plutôt qu'avec le pistolet de distribution de la pompe d'essence.
 - m. Maintenez toujours le contact entre le pistolet de distribution et le bord du réservoir d'essence ou l'ouverture du contenant pendant le remplissage. N'utilisez pas un pistolet de distribution à blocage en position ouverte.
1. Ne placez jamais vos mains ou vos pieds près d'une pièce en mouvement, dans l'habitacle de la tarière ou de la turbine ou dans la goulotte d'éjection. Les pièces en mouvement peuvent amputer mains et pieds.
 2. La manette de commande de l'ensemble de la tarière et de la turbine est un dispositif de sécurité. Ne contournez jamais son rôle ce qui rendrait dangereux l'emploi de la machine et pourrait causer des blessures corporelles.

Utilisation

Consignes de sécurité

AVERTISSEMENT: Ce symbole attire votre attention sur des consignes de sécurité importantes qui, si elles ne sont pas respectées, peuvent mettre en danger non seulement votre personne et vos biens, mais aussi ceux d'autrui. Prière de lire toutes les instructions figurant dans cette notice d'utilisation avant d'essayer de vous servir de cette machine. Le non-respect de ces instructions peut entraîner des blessures corporelles. RESPECTEZ L'AVERTISSEMENT QUI ACCOMPAGNE CE SYMBOLE!



CALIFORNIA PROPOSITION 65

AVERTISSEMENT: Les gaz d'échappement de ce produit contiennent des produits chimiques reconnus dans l'État de Californie comme causant le cancer, des anomalies congénitales ou d'autres problèmes liés à la reproduction.



DANGER: Cette machine doit être utilisée conformément aux consignes de sécurité qui figurent dans la notice d'utilisation. Comme avec tout appareil motorisé, une négligence ou une erreur de la part de l'utilisateur peut entraîner des blessures graves. Cette machine peut amputer mains et pieds et projeter des débris. Par conséquent, le non-respect de ces consignes peut causer des blessures corporelles graves et même mortelles.



Formation

1. Assurez-vous de lire et de bien comprendre toutes les instructions qui figurent sur la machine et dans la notice d'utilisation avant de la mettre en marche. Conservez cette notice d'utilisation à un endroit sûr pour toute consultation ultérieure et pour commander des pièces de rechange.
2. Familiarisez-vous avec les commandes et la bonne utilisation de cette machine avant de vous en servir. Apprenez à arrêter la machine et à débrayer rapidement les commandes.
3. Ne permettez jamais à des enfants de moins de 14 ans de se servir de la machine. Des adolescents plus âgés doivent lire la notice d'utilisation, bien comprendre le fonctionnement de la machine et respecter les consignes de sécurité. Ils doivent apprendre à utiliser la machine et se servir sous la surveillance étroite d'un adulte.
4. Ne permettez jamais à des adultes ne connaissant pas bien le fonctionnement de la machine de s'en servir. Les objets projetés par la machine peuvent causer des blessures graves. Évitez de travailler en évitant de projeter la neige vers la route, des spectateurs, etc.
6. Gardez les spectateurs, les animaux de compagnie et les enfants à une distance d'au moins 75 pieds de la machine quand elle est en marche. Arrêtez la machine si quelqu'un s'approche.
7. Soyez toujours prudent pour ne pas glisser ou tomber, surtout en reculant.

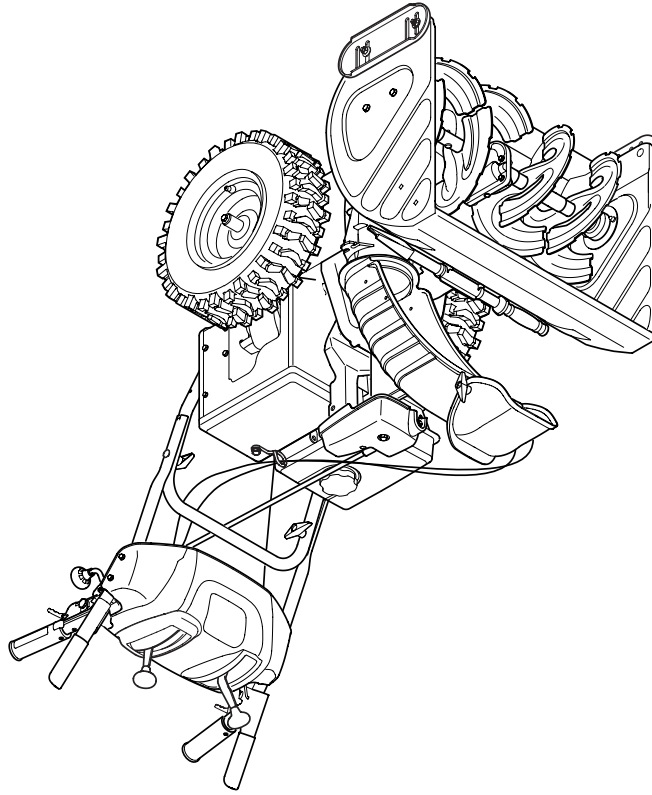
Préparation

1. Portez toujours des lunettes de sécurité en utilisant la machine ou en effectuant un réglage ou une réparation. Un objet peut en effet être projeté, ricocher et vous blesser aux yeux.
2. Ne travaillez pas sans porter des vêtements d'hiver adéquats. Ne portez pas de bijoux, d'écharpes longues ou de vêtements amples qui risquent de se prendre dans les pièces en mouvement. Portez des chaussures qui améliorent votre stabilité sur des surfaces glissantes.
3. Utilisez une rallonge à 3 fils et une prise de courant mises à la terre avec toutes les machines équipées d'un moteur à démarrage électrique.
4. Réglez la hauteur de l'habillage pour éviter tout contact avec les surfaces en gravier ou en pierre concassée.
5. Débrayez toutes les commandes avant de mettre le moteur en marche.
6. N'essayez jamais de régler le moteur pendant qu'il tourne (à moins d'indications contraires de la part du fabricant).
7. Laissez le moteur et la machine s'habituer à la température extérieure avant de commencer à déblayer.

P. O. Box 1386, 97 Kent Avenue, Kitcheners, ON N2G 4J1

⚠ AVERTISSEMENT
PRIÈRE DE LIRE TOUTES LES INSTRUCTIONS FIGURANT DANS CETTE NOTICE D'UTILISATION
AVANT D'ESSAYER DE VOUS SERVIR DE CETTE MACHINE. LE NON-RESPECT DE CES
INSTRUCTIONS PEUT ENTRAÎNER DES BLESSURES CORPORELLES.

Souffleuses à neige à deux phases — Series 500 et 600



NOTICE D'UTILISATION

MTD GOLD®