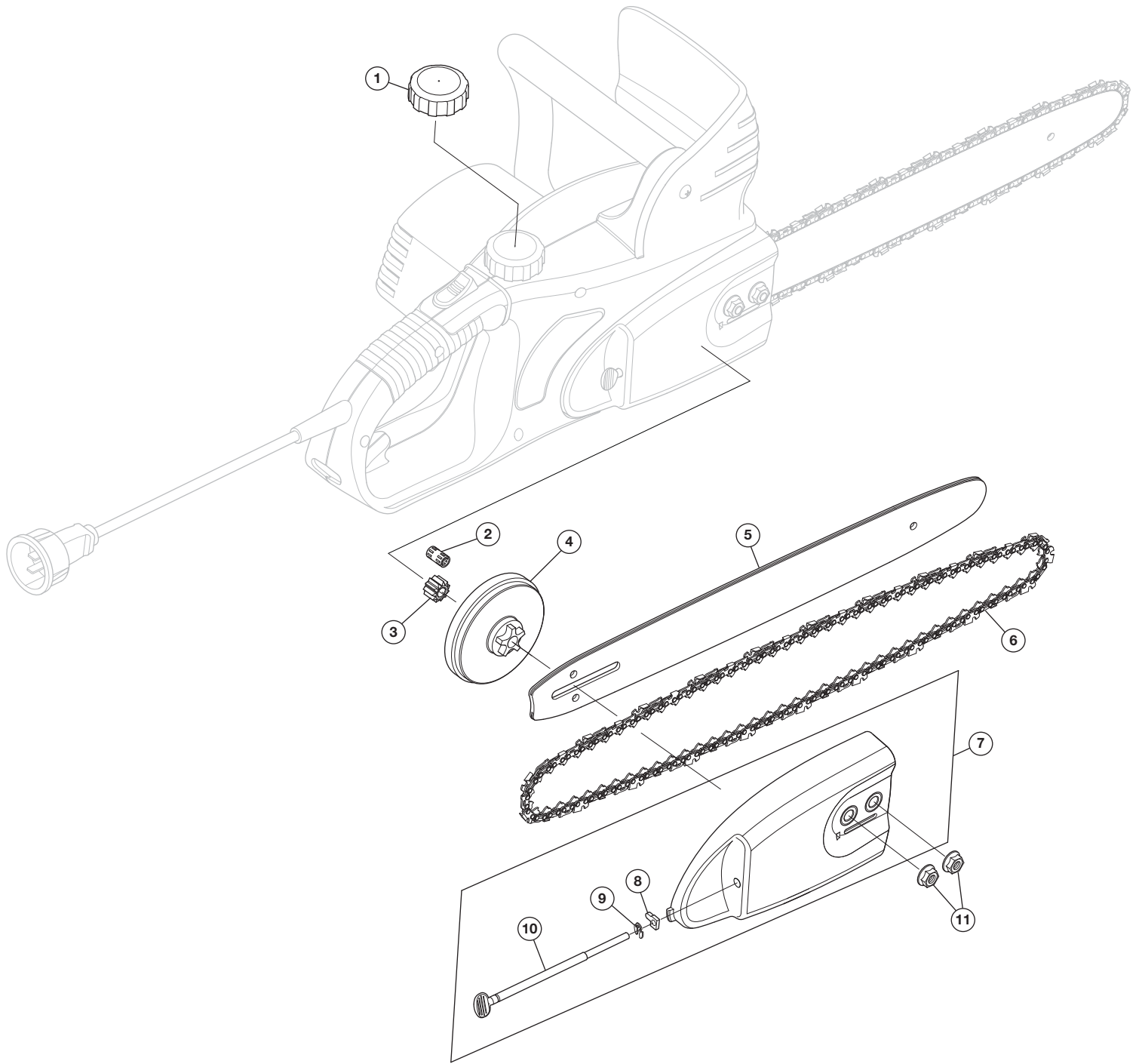


REPLACEMENT PARTS - MODEL RM1645
ELECTRIC CHAIN SAW
 PPN 41AZ66WG983



Item	Part No.	Description
1	731-07246	Oil Cap
2	741-04438	Sprocket Roller Bearing
3	717-04747A	Drive Gear
4	717-04749	Sprocket Gear Assembly
5	795-00119	Chain Guide Bar
6	713-04090	Chain 16"

Item	Part No.	Description
7	753-08451	Sprocket Cover Assembly (includes 8 -10)
8	712-04224	Adjusting Block
9	716-04152	Clip Ring
10	710-05038	Tension Screw
11	712-04230	Nut