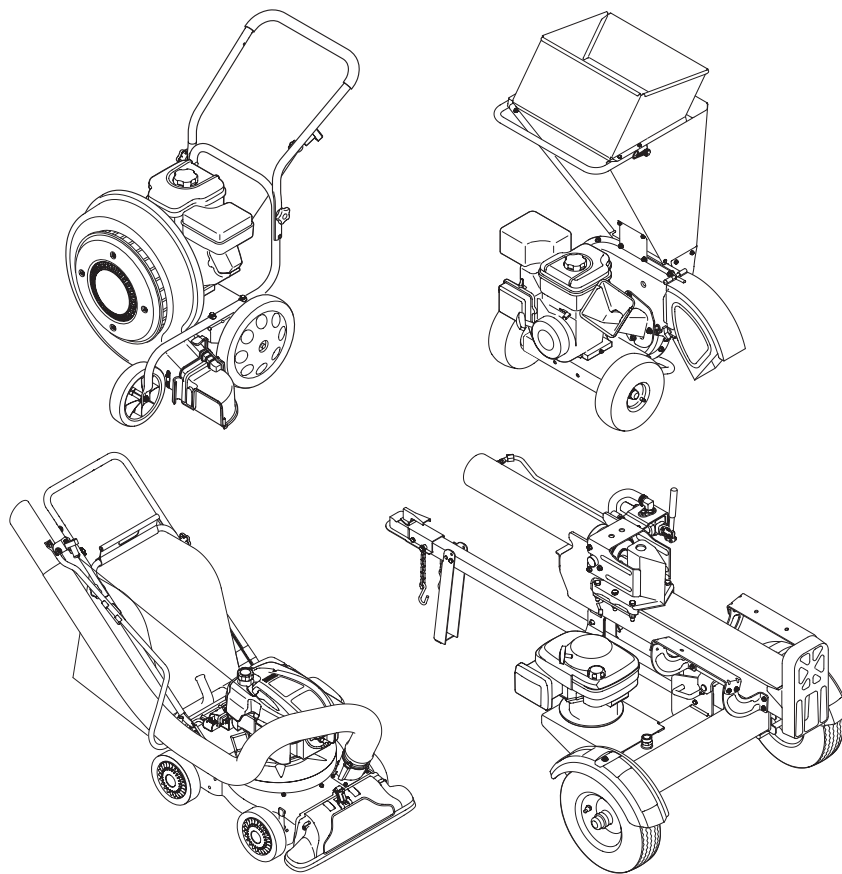

Cub Cadet.

ILLUSTRATED PARTS MANUAL



Fall / Winter Chore Performers

CUB CADET LLC, P.O. BOX 361131 CLEVELAND, OHIO 44136-0019

To The Owner

Thank You

Thank you for purchasing a Chore Performer. It was carefully engineered to provide excellent performance when properly operated and maintained.

All information in this manual is relative to the most recent product information available at the time of printing. Please be aware that this Illustrated Part's Manual may cover a range of product specifications for various models.

Components listed and/or illustrated in this manual may not be applicable to all models. We reserve the right to change product specifications, designs and equipment without notice and without incurring obligation.

Throughout this manual, all references to *right* (RH) and *left* (LH) are observed from the operating position.

Table of Contents

<u>LS 27 CC</u>	<u>4</u>	<u>LS 33 CC Labels</u>	<u>34</u>
<u>LS 25 CC (MTD Engine)</u>	<u>8</u>	<u>JS 1150 Labels</u>	<u>35</u>
<u>LS 25 CC (Honda Engine)</u>	<u>12</u>	<u>CSV Model 050 Labels</u>	<u>36</u>
<u>LS 33 CC</u>	<u>14</u>	<u>CSV Model 070 Labels</u>	<u>37</u>
<u>JS 1150</u>	<u>18</u>	<u>Briggs & Stratton Engine Model 15T202</u>	<u>38</u>
<u>CS Model Series 410 & 420</u>	<u>20</u>	<u>Engine Model 178-LU</u>	<u>46</u>
<u>CSV Model 050</u>	<u>24</u>	<u>Engine Model 170-CU</u>	<u>54</u>
<u>CSV Model 070</u>	<u>28</u>	<u>Engine Model 1X65CU</u>	<u>64</u>
<u>LS 27 CC Labels</u>	<u>32</u>	<u>Engine Model 170-DU Air Cleaner</u>	<u>74</u>
<u>LS 25 CC Labels</u>	<u>33</u>	<u>Engine Model (Honda GCV160LA0)</u>	<u>84</u>

Record Product Information

To ease in ordering replacement parts, please locate the model plate on the equipment and record the information in the provided area to the right. You can locate the model plate by looking beneath the seat.

MODEL NUMBER

--	--	--	--	--	--	--	--	--	--	--

SERIAL NUMBER

--	--	--	--	--	--	--	--	--	--	--

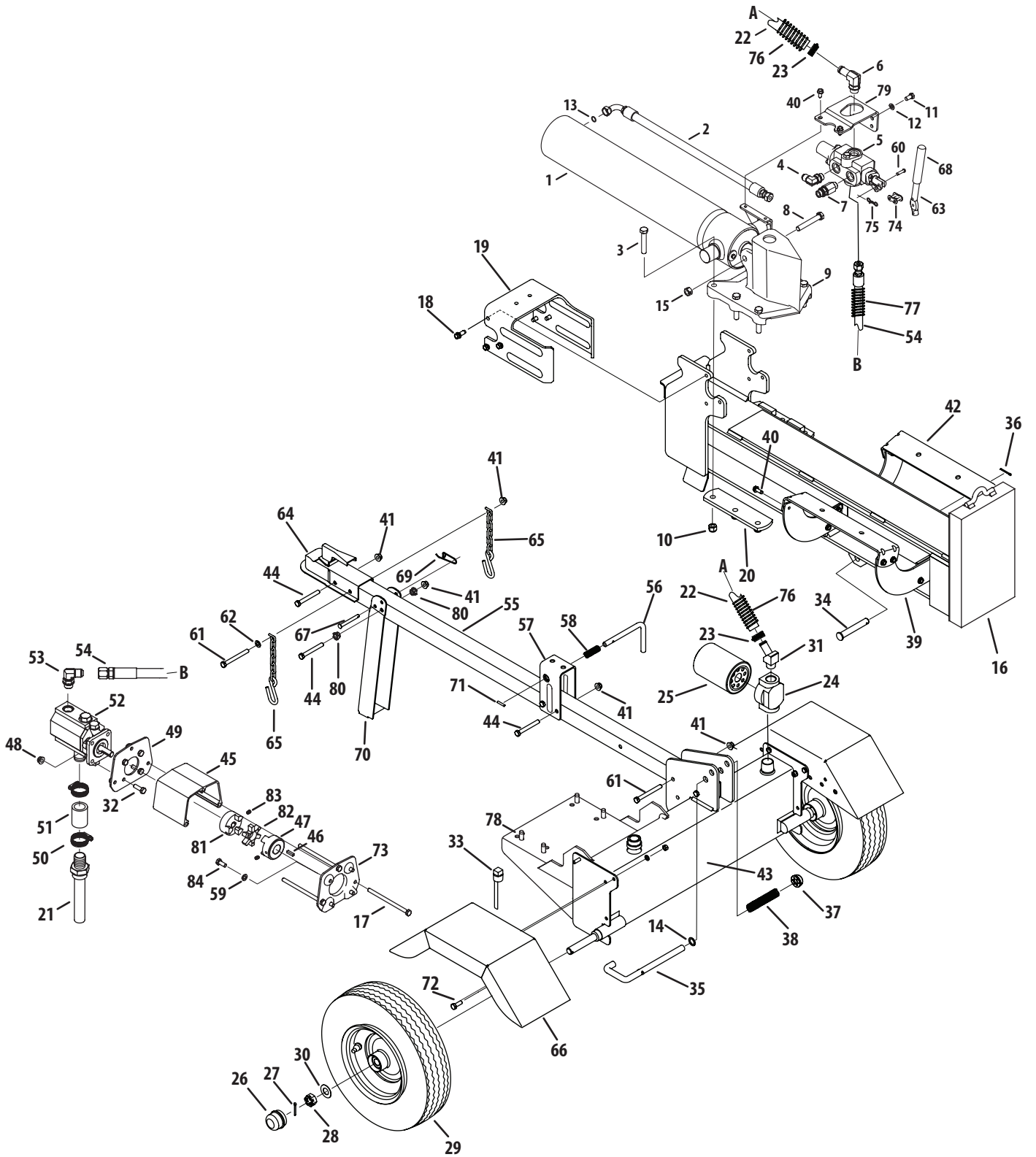
Painted Parts

When ordering painted service parts, a four digit color suffix must be added to the part number (e.g. 783-XXXX-0637). Please refer to the table below for current color codes:

0637	Black
4021	Yellow (Cub Cadet)
0499	Beige (Cub Cadet)

0685	Blue (Cub Cadet)
0691	Black Jack (Cub Cadet Commercial)

Page Left Blank Intentionally



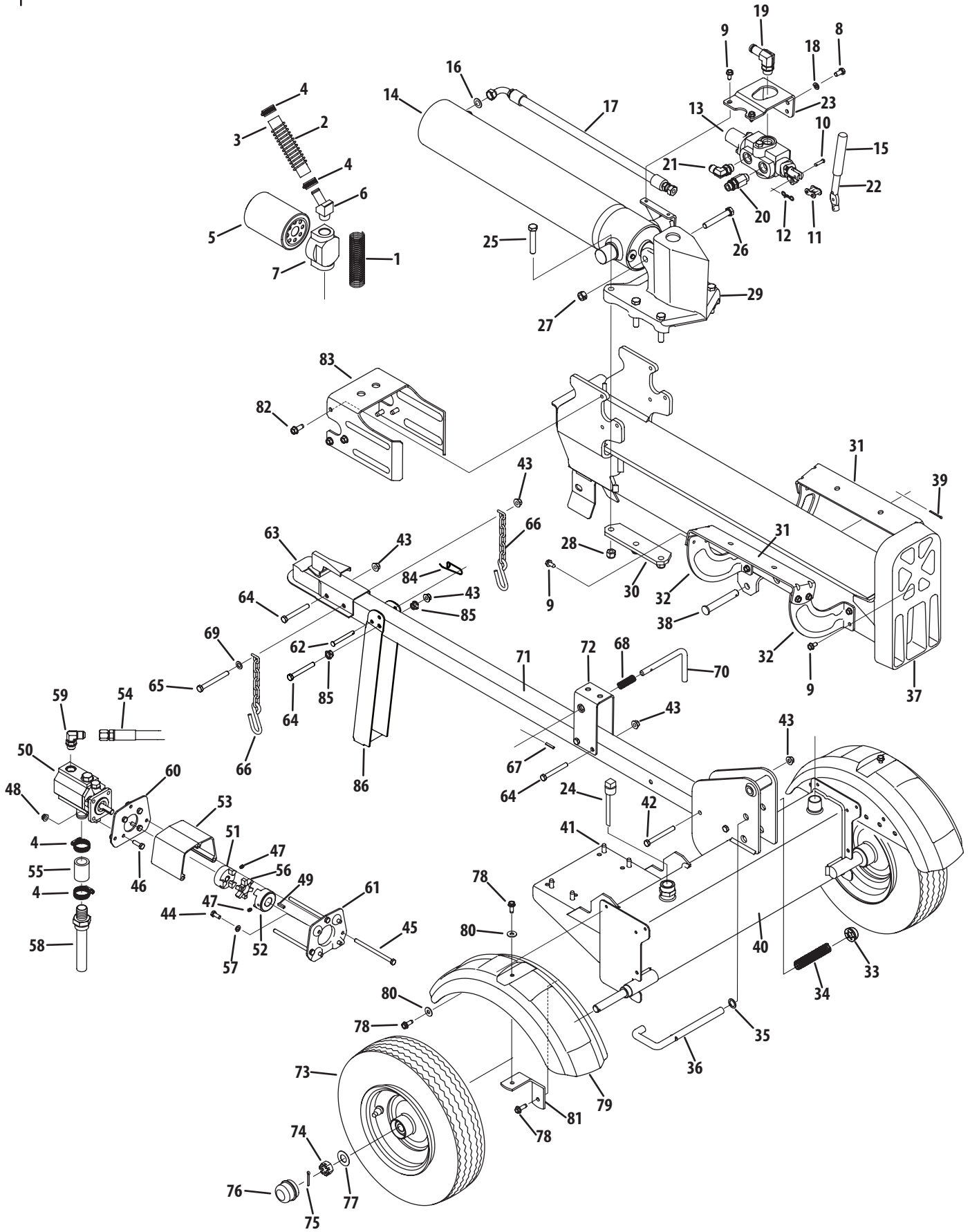
Ref.	Part Number	Description	Ref.	Part Number	Description
1	918-04713	Hydraulic Cylinder	38	732-0583	Compression Spring
2	727-04362	Hydraulic Tube	39	781-04293	Log Tray Bracket
3	710-1018	Hex Cap Screw, 1/2-20 x 2.75	40	710-04484	Hex Washer Screw, 5/16-18 x .750
4	737-04320	90 Degree Solid Adapter	41	712-04065	Flange Lock Nut, 3/8-16
5	718-04706P	Control Valve	42	781-04179	Log Tray
6	737-04307	Return Elbow	43	681-04148	Frame Assembly
7	737-04309	Nipple Pipe, 1/2-14	44	710-0521	Hex Bolt, 3/8-16 x 3
8	710-1806	Hex Cap Screw, 1/2-13 x 3.25	45	719-0281	Coupling Shield
9	719-04529	Wedge Assembly	46	914-0122	Square Key, 3/16" x .75
10	912-3058	Hex Lock Nut, 1/2-20	47	718-04395	Coupling, .875
11	710-0216	Hex Cap Screw, 3/8-16 x .75	48	712-04063	Flange Lock Nut, 5/16-18
12	936-0169	Lock Washer, 3/8	49	781-0097	Rear Coupling Support Bracket
13	721-04411	O-Ring, .489 ID x .070 Dia.	50	726-0132	Hose Clamp, 5/8
14	936-0116	Flat Washer, .635 x.93 x.06	51	727-0451	Hose
15	712-3022	Hex Lock Nut, 1/2-13	52	918-04729	Gear Pump
16	681-04126A	Beam Assembly	53	737-04320	45 Degree Elbow Fitting
17	710-0974	Hex Screw, 5/16-18 x 4.75	54	727-04288	High Pressure Hydraulic Hose
18	710-04683C	Self Tapping Screw, 3/8-16 x 1.0	55	781-04424	Tongue Assembly
19	781-04426	Dislodger Bracket	56	747-1261	Latch Rod
20	781-0790A	Back Plate	57	781-04420	Latch
21	737-04308	Inlet Filter	58	932-3127	Compression Spring
22	727-0443	Return Hose, 3/4 x 44	59	936-0119	Lock Washer, 5/16
23	726-0132	Hose Clamp, 5/8	60	711-04585	Clevis Pin
24	737-04267	Filter Housing	61	710-3085	Hex Cap Screw, 3/8-16 x 3.50
25	723-0405	Oil Filter	62	936-0185	Flat Washer, .375 x.738 x.063
26	734-0873	Hub Cap	63	747-04539A	Hydraulic Valve Control
27	714-0162	Cotter Pin	64	681-04030	Hitch Coupling Assembly
28	712-0359	Slotted Nut, 3/4-16	65	713-0433A	Chain
29	634-0187	Complete Wheel Assembly	66	781-04002	Fender
	921-0168	Dust Seal	67	911-0813	Clevis Pin
	941-04089	Roller Bearing	68	720-04088	Grip
30	936-0351	Flat Washer, .760 x.500	69	732-0194	Spring Pin
31	737-04323	Hydraulic Fitting, 1 1/16 Orb x .75	70	781-04430	Jack Stand
32	710-0376	Hex Screw, 5/16-18 x 1.00	71	715-0120	Spiral Pin
33	737-0348A	Vented Dipstick	72	710-0602	Self-Tapping Screw, 5/16-18 x 1.00
34	711-05169	Clevis Pin	73	781-0098A	Front Coupling Support Bracket
35	747-04983	Lock Rod	74	913-04036	Valve Handle Link
36	914-0470	Cotter Pin	75	714-04040	Cotter Pin, Bow Tie
37	726-0214	Push Cap	76	781-0526A	Hose Guard, 44"

Continued on next page

Ref.	Part Number	Description
77	781-0538A	Hose Guard, 48"
78	710-04683C	Sems Screw, 3/8-16 x 1.00
79	781-04418	Outer Valve Bracket
80	941-0475	Plastic Bushing, .380 ID
81	718-04392	Coupling, .500
82	735-04103	Spider Bushing
83	710-1842A	Set Screws
84	710-0157	Hex Cap Screw, 5/16-24 x .75

Page Left Blank Intentionally

LS 25 CC (MTD Engine)



LS 25 CC (MTD Engine)

Ref.	Part Number	Description
1	781-0538A	Hose Guard
2	781-0526A	Hose Guard
3	727-0443	Return Hose
4	726-0132	Hose Clamp
5	723-0405	Oil Filter
6	737-04323	Hydraulic Fitting
7	737-04267	Filter Housing
8	710-0216	Hex Screw, 3/8-16 x .75
9	710-04484	Hex Washer Screw, 5/16-18 x .750
10	711-04585	Clevis Pin, .25 x 1.00
11	913-04036	Valve Handle Link
12	714-04040	Cotter Pin
13	918-04740	Control Valve
14	918-04713	Hydraulic Cylinder, 4.5 x 24
15	720-04088	Grip, .625
16	721-04411	Hydraulic O-Ring
17	727-04362	Hydraulic Hose
18	936-0169	Lock Washer, 3/8
19	737-04307	Hydraulic Fitting, 7/8 x .75
20	737-04309	Hydraulic Fitting, 3/4
21	737-04320	Hydraulic Fitting, 3/4 x 1 1/16
22	747-04539A	Hydraulic Valve Control
23	781-04418	Valve Bracket
24	737-0348A	Plug w/ Dipstick
25	710-1018	Hex Screw, 1/2-20 x 2.75
26	710-1806	Hex Screw, 1/2-13 x 3.25
27	712-3022	Hex Lock Nut, 1/2-13
28	912-3058	Hex Lock Nut, 1/2-20
29	719-04529	Log Splitter Wedge
30	781-0790A	Log Splitter Wedge Plate
31	781-04179	Log Tray Bracket
32	781-04293	Log Splitter Tray Bracket
33	726-0214	Push Cap, 5/8
34	732-0583	Compression Spring, .625 x 4.0
35	936-0116	Flat Washer, .635 x .930 x .060
36	747-04983	Beam Lock Rod
37	681-04112A	Beam Assembly
38	711-05169	Clevis Pin, .625 x 4.25
39	914-0470	Cotter Pin, 1/8 x 1.25

Ref.	Part Number	Description
40	681-04113	Tank Assembly
41	710-04683C	Hex Washer Screw, 3/8-16 x 1.000
42	710-3085	Hex Screw, 3/8-16 x 3.50
43	712-04065	Flange Lock Nut, 3/8-16
44	710-0157	Hex Screw, 5/16-24 x .75
45	710-0190	Hex Screw, 5/16-18 x 4.00
46	710-0376	Hex Screw, 5/16-18 x 1.00
47	710-1842A	Set Screw, 1/4-20 x .38
48	712-04063	Flange Lock Nut, 5/16-18
49	914-0122	Square Key, 3/16 x .75
50	918-04127	Gear Pump
51	718-04392	Coupling, .500
52	718-04474	Coupling, .750
53	719-0278	Coupling Shield Spacer
54	727-04288	Hydraulic Hose
55	727-04356	Input Hose, 1.0
56	735-04103	Spider Bushing
57	936-0119	Lock Washer, 5/16
58	737-04308	Inlet Filter
59	737-04320	Hydraulic Fitting
60	781-0097	Rear Coupling Support Bracket
61	781-0098A	Front Coupling Support Bracket
62	911-0813	Clevis Pin
63	681-04030	Hitch Coupling Assembly
64	710-0521	Hex Screw, 3/8-16 x 3.00
65	710-3085	Hex Screw, 3/8-16 x 3.50
66	713-0433A	Tow Chain
67	715-0120	Spirol Pin, 3/16 x 1.00
68	932-3127	Compression Spring, .66 x 1.9
69	936-0185	Flat Washer, .375 x .738 x .063
70	747-1261	Latching Rod
71	781-04424	Tongue Tube, 2.0 x 2.0
72	781-1045	Tongue Latch
73	634-0187	Complete Wheel Assembly
	921-0168	Dust Seal
	941-04089	Roller Bearing
74	712-0359	Slotted Nut, 3/4-16
75	714-0162	Cotter Pin, 5/32 x 1.25
76	734-0873	Hub Cap

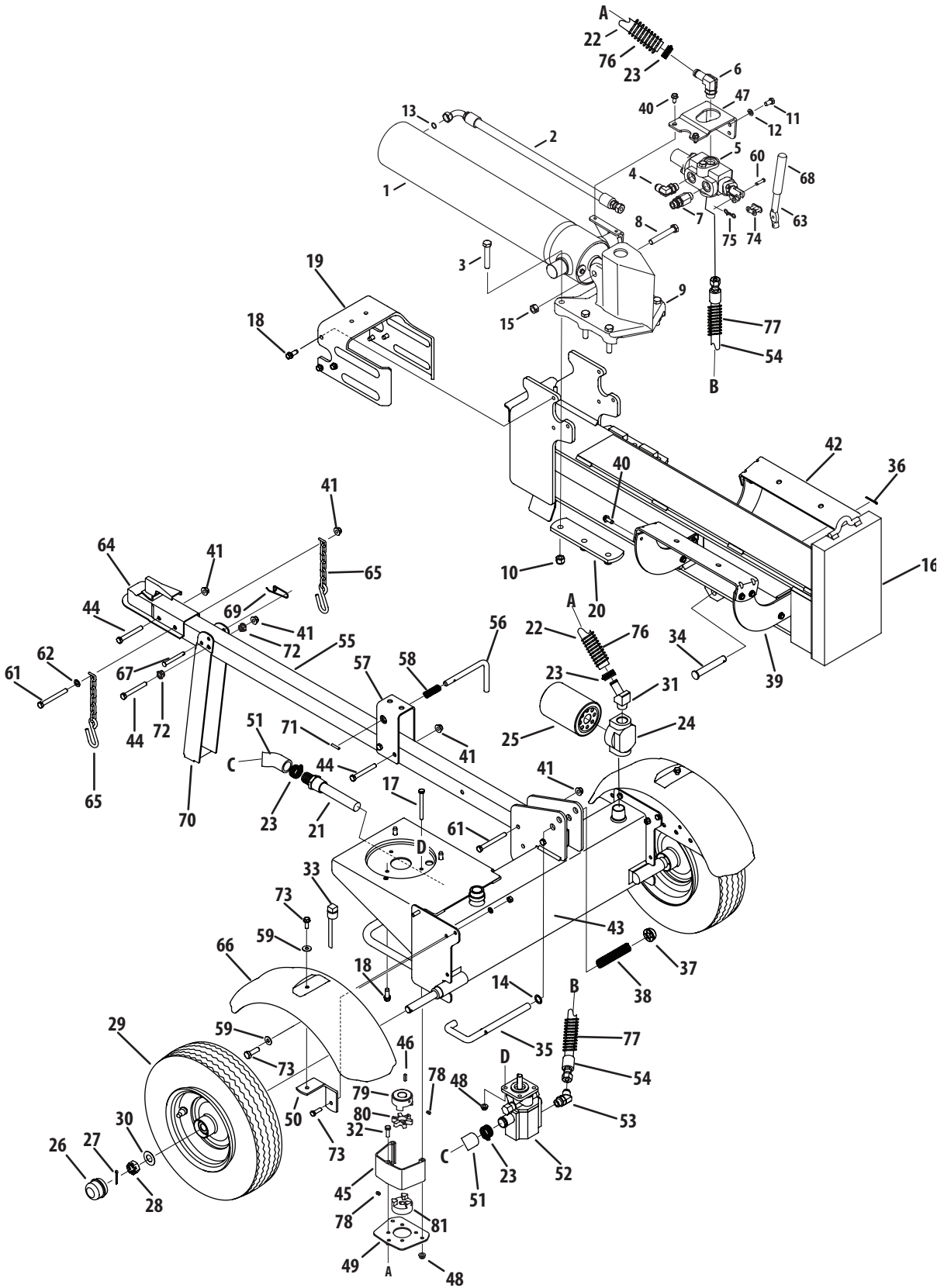
Continued on next page

LS 25 CC (MTD Engine)

Ref.	Part Number	Description
77	936-0351	Flat Washer, .760 x 1.50 x .030
78	710-0602	Hex Washer Screw, 5/16-18 x 1.000
79	731-2496A	Fender
80	736-0371	Thrust Washer, .343 x .880 x .062
81	781-1024A	Fender Mount Bracket
82	710-04683C	Hex Washer Screw, 3/8-16 x 1.000
83	781-04426	Dislodger Bracket
84	732-0194	Spring Pin
85	941-0475	Plastic Bushing, .380 ID
86	781-04430	Jack Stand

Page Left Blank Intentionally

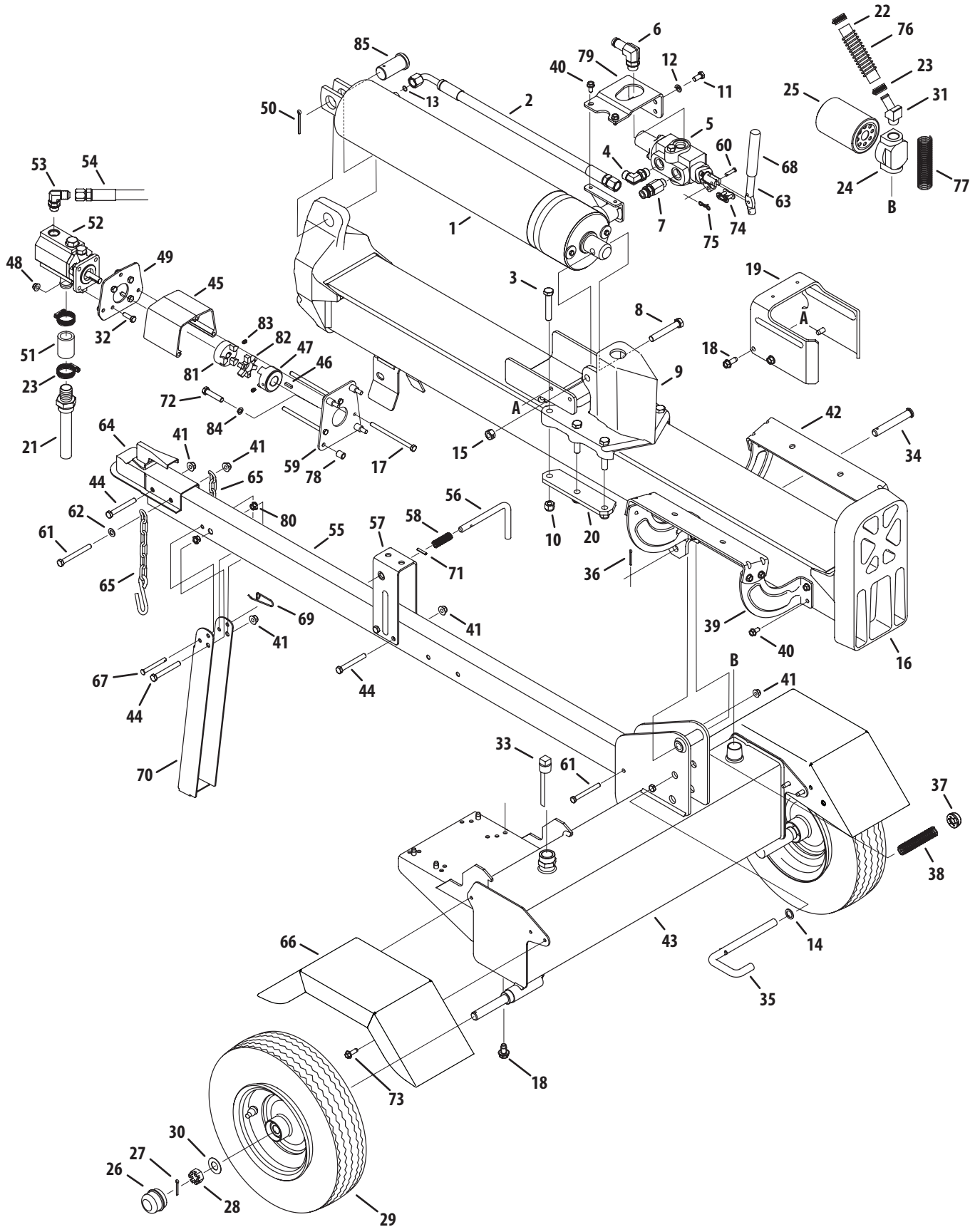
LS 25 CC (Honda Engine)



LS 25 CC (Honda Engine)

Ref.	Part Number	Description
1	918-04713	Hydraulic Cylinder
2	727-04362	Hydraulic Tube
3	710-1018	Hex Cap Screw, 1/2-20 x 2.75
4	737-04320	90 Degree Solid Adapter
5	918-04740	Control Valve
6	737-04307	Return Elbow
7	737-04309	Nipple Pipe, 1/2-14
8	710-1806	Hex Cap Screw, 1/2-13 x 3.25
9	719-04529	Wedge Assembly
10	912-3058	Hex Lock Nut, 1/2-20
11	710-0216	Hex Cap Screw, 3/8-16 x .75
12	936-0169	Lock Washer, 3/8
13	721-04411	O-Ring, .489 ID x .070 Dia.
14	936-0116	Flat Washer, .635 x.93 x.06
15	712-3022	Hex Lock Nut, 1/2-13
16	681-04112A	Beam Assembly
17	710-3056A	Hex Screw, 5/16-18 x 3.25
18	710-04683C	Self Tapping Screw, 3/8-16 x 1.0
19	781-04426	Dislodger Bracket
20	781-0790A	Back Plate
21	737-04308	Inlet Filter
22	727-0443	Return Hose, 3/4 x 44
23	726-0132	Hose Clamp, 5/8
24	737-04267	Filter Housing
25	723-0405	Oil Filter
26	734-0873	Hub Cap
27	714-0162	Cotter Pin
28	712-0359	Slotted Nut, 3/4-16
29	634-0187	Complete Wheel Assembly
	921-0168	Dust Seal
	941-04089	Roller Bearing
30	936-0351	Flat Washer, .760 x.500
31	737-04323	Hydraulic Fitting, 1 1/16 Orb x .75
32	710-0376	Hex Screw, 5/16-18 x 1.00
33	737-0348A	Vented Dipstick
34	711-05169	Clevis Pin
35	747-04983	Lock Rod
36	914-0470	Cotter Pin
37	726-0214	Push Cap
38	732-0583	Compression Spring
39	781-04293	Log Tray Bracket
40	710-04484	Hex Washer Screw, 5/16-18 x .750

Ref.	Part Number	Description
41	712-04065	Flange Lock Nut, 3/8-16
42	781-04179	Log Tray
43	681-04131	Frame Assembly
44	710-0521	Hex Bolt, 3/8-16 x 3
45	719-0353	Coupling Shield
46	914-0122	Square Key, 3/16" x .75
47	781-04418	Outer Valve Bracket
48	712-04063	Flange Lock Nut, 5/16-18
49	781-0097	Rear Coupling Support Bracket
50	781-1024A	Fender Mounting Bracket
51	727-04290	Hose
52	918-04127	Gear Pump
53	737-04321	45 Degree Elbow Fitting
54	727-04288	High Pressure Hydraulic Hose
55	781-04424	Tongue Assembly
56	747-1261	Latch Rod
57	781-1045	Latch
58	932-3127	Compression Spring
59	736-0371	Flat Washer
60	711-04585	Clevis Pin
61	710-3085	Hex Cap Screw, 3/8-16 x 3.50
62	936-0185	Flat Washer, .375 x.738 x.063
63	747-04539A	Hydraulic Valve Control
64	681-04030	Hitch Coupling Assembly
65	713-0433A	Chain
66	731-2496A	Fender
67	911-0813	Clevis Pin
68	720-04088	Grip
69	732-0194	Spring Pin
70	781-04430	Jack Stand
71	715-0120	Spiral Pin
72	941-0475	Plastic Bushing, .380 ID
73	710-0602	Self-Tapping Screw, 5/16-18 x 1.00
74	913-04036	Valve Handle Link
75	714-04040	Cotter Pin, Bow Tie
76	781-0526A	Hose Guard, 44"
77	781-0538A	Hose Guard, 48"
78	710-1842A	Set Screws
79	718-04395	Coupling, .875
80	735-04103	Spider Bushing
81	718-04392	Coupling, .500



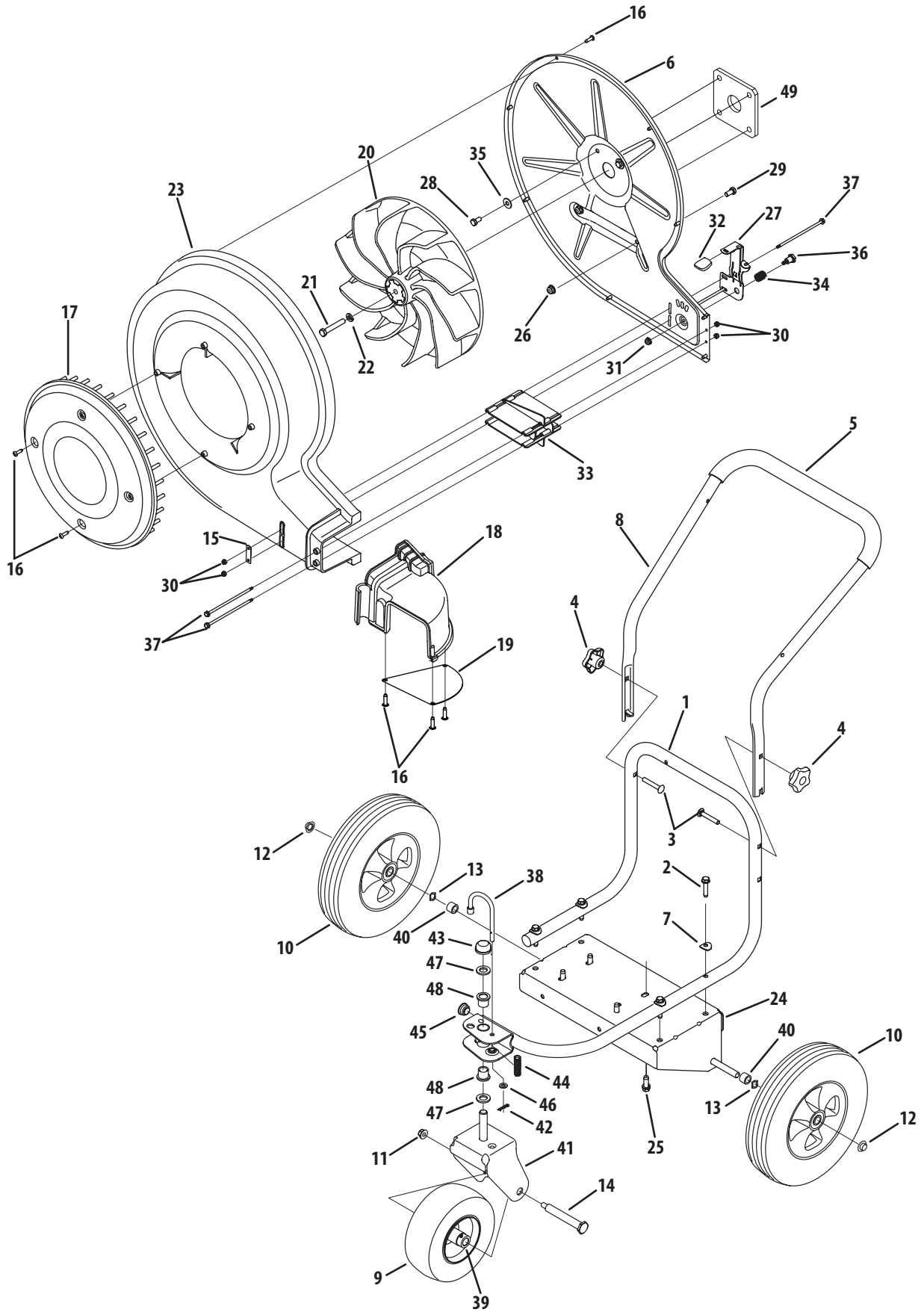
Ref.	Part Number	Description
1	918-04714	Hydraulic Cylinder
2	727-04362	Hydraulic Tube
3	710-1018	Hex Cap Screw, 1/2-20 x 2.75
4	737-04320	90 Degree Solid Adapter
5	718-04706P	Control Valve
6	737-04307	Return Elbow
7	737-04309	Nipple Pipe, 1/2-14
8	710-1806	Hex Cap Screw, 1/2-13 x 3.25
9	719-04529	Wedge Assembly
10	912-3058	Hex Lock Nut, 1/2-20
11	710-0216	Hex Cap Screw, 3/8-16 x .75
12	936-0169	Lock Washer, 3/8
13	721-04411	O-Ring, .489 ID x .070 Dia.
14	936-0116	Flat Washer, .635 x.93 x.06
15	712-3022	Hex Lock Nut, 1/2-13
16	981-04140	Beam Assembly
17	710-0974	Hex Screw, 5/16-18 x 4.75
18	710-04683C	Self Tapping Screw, 3/8-16 x 1.0
19	781-0525	Dislodger Bracket
20	781-0790A	Back Plate
21	737-04308	Inlet Filter
22	727-0443	Return Hose, 3/4 x 44
23	726-0132	Hose Clamp, 5/8
24	737-04267	Filter Housing
25	723-0405	Oil Filter
26	734-0873	Hub Cap
27	714-0162	Cotter Pin
28	712-0359	Slotted Nut, 3/4-16
29	634-0187	Complete Wheel Assembly
	921-0168	Dust Seal
	941-04089	Roller Bearing
30	936-0351	Flat Washer, .760 x 1.500
31	737-04323	Hydraulic Fitting, 1 1/16 Orb x .75
32	710-0376	Hex Screw, 5/16-18 x 1.00
33	737-0348A	Vented Dipstick
34	711-05169	Clevis Pin
35	747-04983	Lock Rod
36	914-0470	Cotter Pin
37	726-0214	Push Cap
38	732-0583	Compression Spring

Ref.	Part Number	Description
39	781-04293	Log Tray Bracket
40	710-04484	Hex Washer Screw, 5/16-18 x .750
41	712-04065	Flange Lock Nut, 3/8-16
42	781-04179	Log Tray
43	981-04171	Frame Assembly
44	710-0521	Hex Bolt, 3/8-16 x 3
45	719-0281	Coupling Shield
46	914-0122	Square Key, 3/16 x .75
47	718-04395	Coupling, .875
48	712-04063	Flange Lock Nut, 5/16-18
49	781-0097	Rear Coupling Support Bracket
50	714-0211	Cotter Pin, 3/16 x 2
51	727-0451	Hose
52	918-04128	Gear Pump
53	737-04322	Hydraulic Fitting, 7/8 Orb x .8125
54	727-04288	High Pressure Hydraulic Hose
55	781-04372	Tongue Assembly
56	747-1261	Latch Rod
57	781-04420	Latch
58	932-3127	Compression Spring
59	781-0098A	Front Coupling Support Bracket
60	711-04585	Clevis Pin
61	710-3085	Hex Cap Screw, 3/8-16 x 3.50
62	936-0185	Flat Washer, .375 x.738 x.063
63	747-04539A	Hydraulic Valve Control
64	681-04030	Hitch Coupling Assembly
65	713-0433A	Chain
66	781-04002	Fender
67	911-0813	Clevis Pin
68	720-04088	Grip
69	732-0194	Spring Pin
70	781-04429	Jack Stand
71	715-0120	Spiral Pin
72	710-0157	Hex Cap Screw, 5/16-24 x .75
73	710-0602	Self-Tapping Screw, 5/16-18 x 1.00
74	913-04036	Valve Handle Link
75	714-04040	Cotter Pin, Bow Tie
76	781-0526A	Hose Guard, 48"
77	781-0538A	Hose Guard, 44"
78	711-0396	Spacer, .385 x .623 x .75 LG

Continued on next page

Ref.	Part Number	Description
79	781-04418	Outer Valve Bracket
80	941-0475	Plastic Bushing, .380 ID
81	718-04392	Coupling, .500
82	735-04103	Spider Bushing
83	710-1842A	Set Screws
84	936-0119	Lock Washer, 5/16
85	711-1135	Clevis Pin, 1.25 x 2.50

Page Left Blank Intentionally

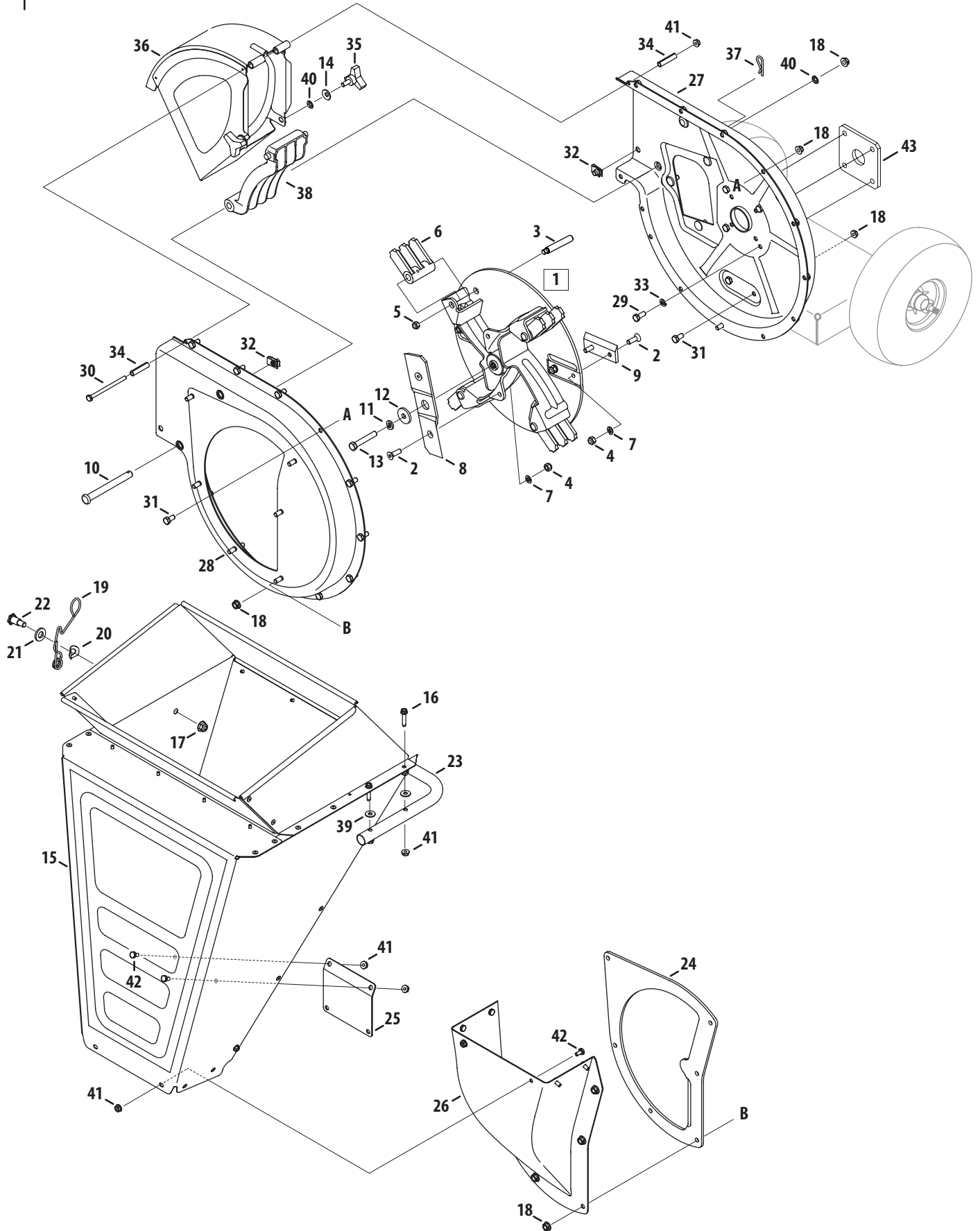


Ref.	Part Number	Description
1	681-04086	Lower Handle Assembly
2	710-04605A	Hex Screw, 5/16-18 x 1.50
3	710-0487	Carriage Screw, 5/16-18 x 2.00
4	720-04072A	Star Knob, 5/16-18
5	720-04091	Foam Grip, .970 x 25
6	781-04165	Back Plate
7	936-0451	Saddle Washer, .320 x .93 x .060
8	749-04291	Upper Handle
9	734-04278	Wheel, 8 x 3
10	734-04279	Wheel, 12 x 3, Beige
11	712-04065	Flange Lock Nut, 3/8-16
12	726-0299	Push Cap, 1/2"
13	936-0504	Wave Washer, .510 x .750 x .017
14	738-04290	Shoulder Screw, .625 x 3.94
15	781-04212	Guide Plate
16	710-04373A	Hex Screw, 12-16 x .75
17	731-05929	Blower Cover
18	631-04253	Chute Assembly
19	781-04175	Chute Plate
20	631-04213	Impeler Assembly
21	710-1254	Hex Screw, 3/8-24 x 2.25
22	936-0217	Lock Washer, 3/8
23	731-05592	Blower Housing
24	681-04084A	Frame
25	710-0654A	Sems Screw, 3/8-16 x 1.000

Ref.	Part Number	Description
26	712-04063	Flange Lock Nut, 5/16-18
27	781-04181A	Louver Lever
28	710-0117A	Hex Head Screw, 5/16-24 x 1.00
29	710-3008	Hex Bolt, 5/16-18 x .75
30	712-04035	Hex Lock Nut, #8-32
31	712-04064	Flange Lock Nut, 1/4-20
32	720-0426	Height Adjustment Knob
33	731-05644	Louver Plate
34	932-3042	Comp. Spring, .515 x .641 x .95
35	736-0242	Bell Washer, .340 x .872 x .060
36	738-04222	Shoulder Screw, .437 x .50 x 1/4-20
37	738-04223	Shoulder Screw, .18 x 4.8 x 8-32
38	747-0924	Lock Pin
39	941-0706	Flange Bearing w/ Fitting
40	750-04854	Spacer, .525 x .775 x .560
41	681-04085	Caster Wheel Bracket Assembly
42	914-0104	Cotter Pin
43	726-0214	Push Cap
44	932-0306A	Compr. Sprng., .531 OD x 1.75 Lg
45	735-0246A	End Plug
46	936-0264	Washer, Flat, .330 x .630 x .0635
47	736-0366	Washer, Flat, .640 x 1.12 x .125
48	741-0685	Flange Bearing, .631 ID
49	781-04292	Engine Plate
—	723-0400*	Safety Glasses

* Not Shown

CS Model Series 410 & 420



CS Model Series 410 & 420

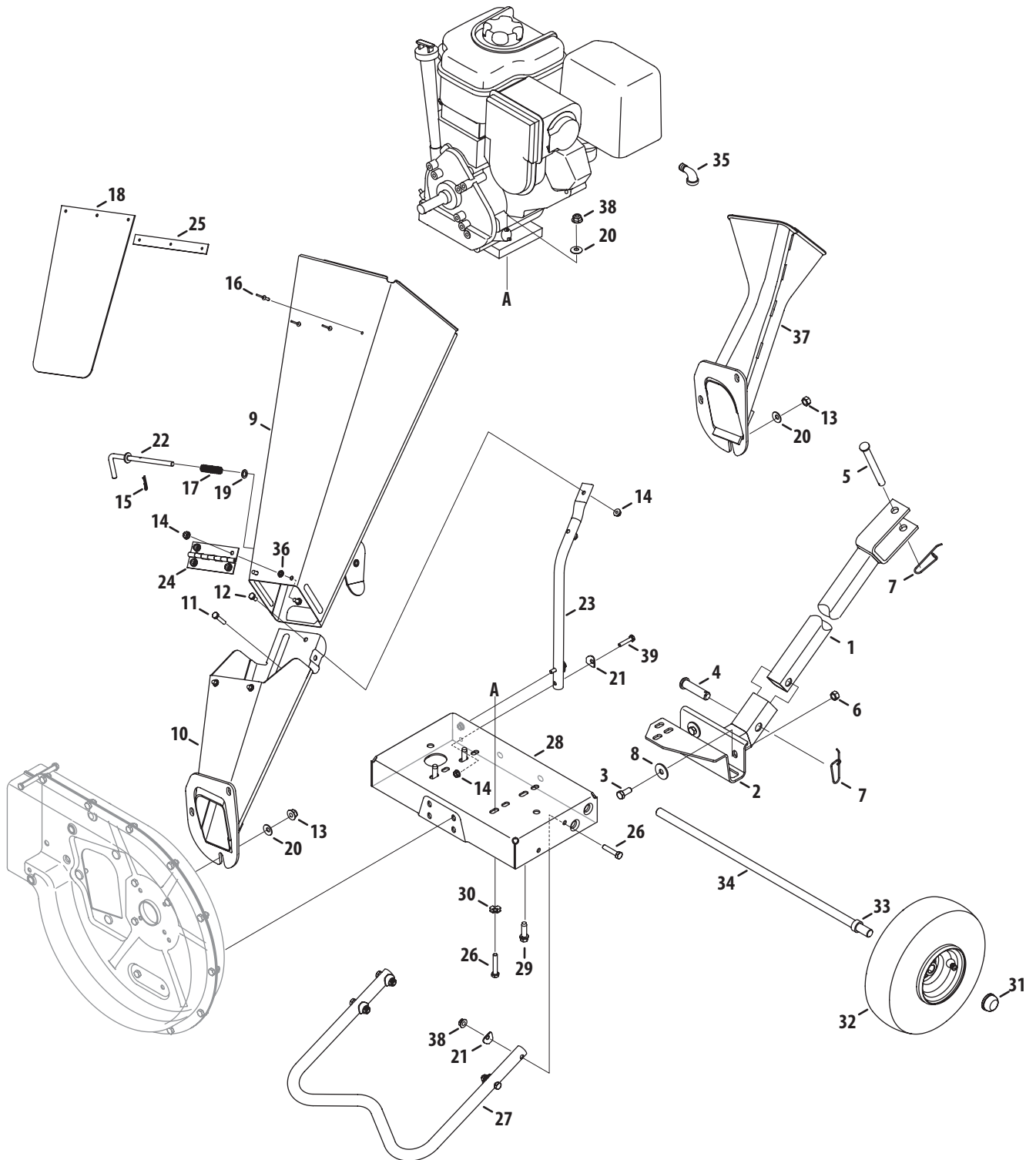
Ref No.	Part Number	Description
1	981-04094	Impeller Assembly Complete
2	710-1054	Machine Screw, 5/16-24 x 1.0
3	738-04286A	Shoulder Pin, .5 x 2.625
4	912-0411	Hex Lock Nut, 5/16-24
5	712-0266A	Nut, Jam Lock, 3/8-16
6	719-04308	Flail Blade
7	936-0119	Lock Washer, 5/16
8	942-04050	Shredder Blade
9	942-0544B	Chipper Blade
10	911-0835	Clevis Pin,.50 x 4.62
11	936-0217	Lock Washer, 3/8
12	736-0247	Flat Washer,.406 x 1.25
13	710-1254	Hex Cap Screw, 3/8-24 x 2.2
14	736-0242	Bell Washer.340 ID x.872 OD
15	681-04011	Shredder Hopper Assembly
16	710-0809	Hex Cap Screw, 1/4-20 x 1.250
17	712-04065†	Flange Lock Nut, 3/8-16
18	712-3004A	Flange Lock Nut, 5/16-18
19	932-04167†	Torsion Spring
20	736-0182†	Spring Washer,.50 x 1.0 x.022
21	936-0326†	Flat Washer,.50 x 1.0 x.0125
22	738-0430†	Shoulder Screw, 3/8-16,

Ref No.	Part Number	Description
23	749-04103	Hopper Handle
24	781-04007	Shredder Plate
25	781-04027	Hopper Support Bracket
26	781-04033	Inlet Guide
27	681-04116	Inner Flail Housing Assembly
28	681-04002	Outer Flail Housing Assembly
29	710-0157	Hex Cap Screw, 5/16-24 x .75
	710-0888††	Hex Cap Screw 5/16-24 x 1.00
30	710-0825	Hex Cap Screw, 1/4-20 x 3.75
31	710-3025	Hex Cap Screw, 5/16-18 x .625
32	926-0211	U-Nut, 5/16-18
33	936-0119	Lock Washer, 5/16
34	950-0793	Hinge Spacer,.265 x.380 x 1.66
35	720-0170	Knob, 5/16-18
36	681-0094A	Chute Deflector Assembly
37	914-0149B	Internal Cotter Pin
38	719-04070	Shredder Screen
39	736-0173	Flat Washer, .28 x .74 x .063
40	726-0201	Speed Nut,.3125ID
41	712-04064	Nut, Flange, Lock, 1/4-20
42	710-0599	TT Screw, 1/4-20 x .5
43	781-04292††	Engine Plate

† Model Series 420

†† Model Series 410 (208 CC)

CS Model Series 410 & 420



CS Model Series 410 & 420

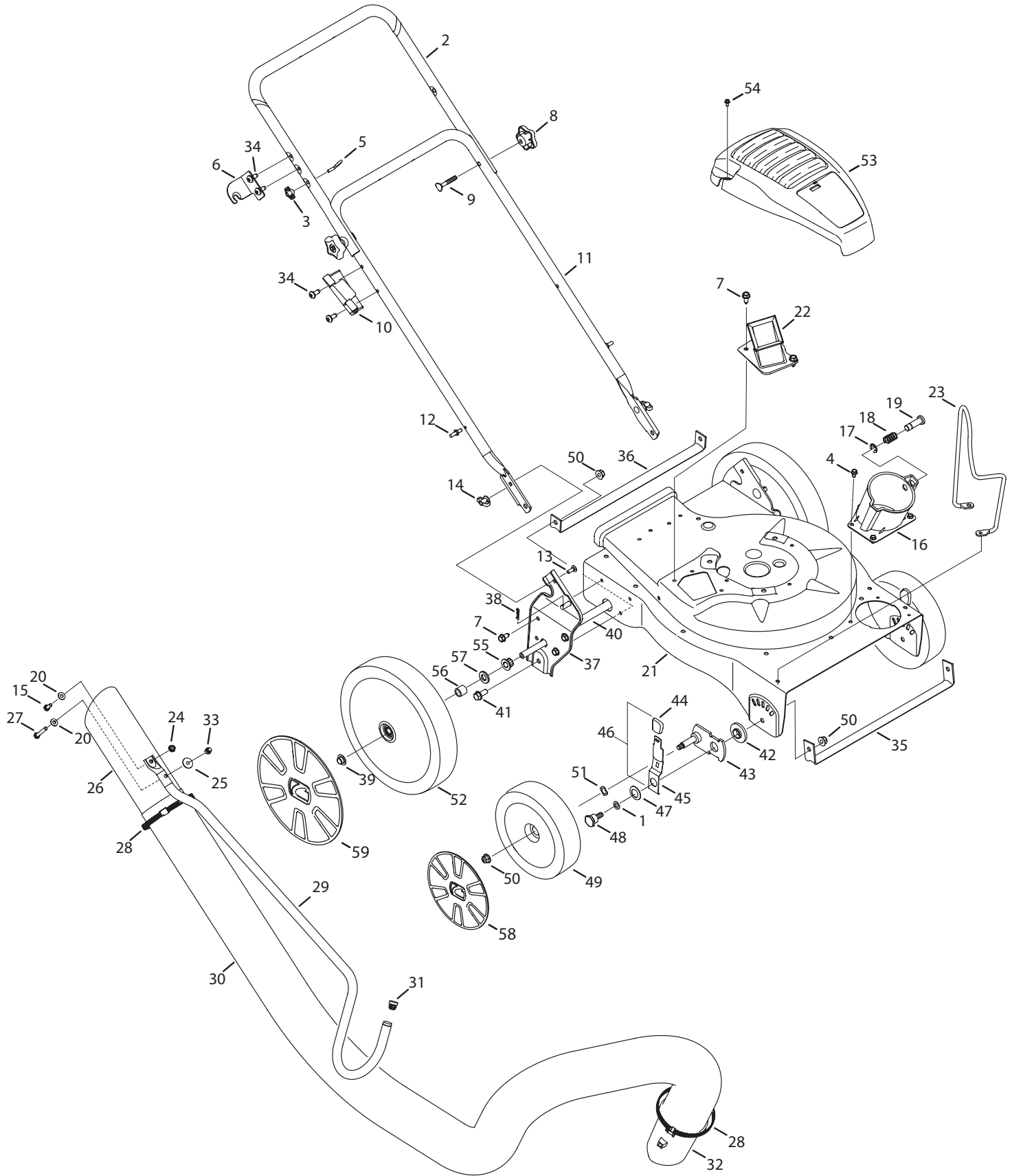
Ref No.	Part Number	Description	Ref No.	Part Number	Description
1	981-0133A	Tongue Hitch Mount	23	749-1004†	Chipper Chute Support
2	681-0134A	Base Hitch Mount	24	981-04032†	Chipper Chute Hinge
3	710-3001	Hex Cap Screw, 3/8-16 x.88	25	781-0633†	Chute Flap Strip
4	711-0299	Clevis Pin,.625 x 2.4	26	710-0805A	Hex Cap Screw, 5/16-18 x 1.50
5	911-0835	Clevis Pin,.50 x 4.62	27	749-04104	Tube Support
6	712-04065	Flange Lock Nut, 3/8-16	28	681-0184C	Frame Assembly
7	732-0194	Spring Pin	29	710-0502A	Hex Sems Screw, 3/8-16 x 1.25
8	936-0133	Flat Washer,.411 x 1.25 x 1.0	30	936-0170	Special Lock Washer, 5/16
9	681-04006†	Upper Chipper Chute Assembly	31	726-0214	Push Cap, 5/8
10	681-04117†	Lower Chipper Chute Assembly	32	634-04627	Wheel, 10 x 4 x 4
11	710-0106†	Hex Cap Screw, 1/4-20 x 1.25	—	741-0487C	Flange Bearing
12	710-3013†	Screw, 1/4-20 x .50	—	941-0706	Flange Bearing w/fitting
13	912-3010	Hex Nut, 5/16-18	33	950-0786	Spacer, .64 x .88 x .38
14	712-04064†	Flange Lock Nut 1/4-20	34	738-0813	Axle, 22.47"
15	914-0104†	Cotter Pin	35	937-0195	Elbow Fitting
16	728-0175†	Pop Rivet	36	726-0233†	Push Nut,.25ID x.50OD
17	932-0306A†	Compression Spring,.531 x 1.75	37	681-04118††	Chipper Chute
18	735-0249A†	Chute Flap	38	712-3004A	Flange Lock Nut, 5/16-18
19	936-0140†	Flat Washer	39	710-0809†	Hex Cap Screw, 1/4-20 x 1.250
20	736-0242	Bell Washer.340 ID x.872 OD	—	964-04023*	Debris Collection Bag
21	936-0451	Washer,.320 ID x.93 OD	—	723-0400*	Safety Glasses
22	947-04163†	Lock Rod			

† Model Series 420

†† Model Series 410

* Not Shown

CSV Model 050



Ref No.	Part Number	Description
1	936-0314	Thrust Washer.375 ID x.70 OD
2	749-04172	Upper Handle
	749-04163	Upper Handle, Gullwing
3	720-0279	Knob
4	710-05073	Screw, 1/4-20 x .500
5	710-1205	Eye Bolt
6	781-1056	Upper Handle Bracket
7	710-0726	Hex Cap Screw 5/16-12 x.750
8	720-04072A	Star Knob
9	710-1174	Carriage Bolt
10	731-04911	Nozzle Handle Clip
11	749-04165	Lower Handle
12	711-06418	Studs
13	710-0703	Carriage Screw 1/4-20 x.75
14	712-0397A	Wing Nut 1/4-20
15	710-0751	Hex Cap Screw 1/4-20 x.620
16	681-0195	Hose Base Adapter Assembly (Incl. Ref.# 17-19)
17	916-0104	E Ring.500 Dia
18	932-3035	Compression Spring
19	711-1571	Clevis Pin
20	936-3020	Flat Washer.271 ID x.630 OD
21	781-04223	Upper Flail Housing
22	681-04088	Chipper Chute Assembly
23	747-04985	Hose Cradle
24	712-04064	Flange Lock Nut, 1/4-20
25	748-0457	Spacer
26	731-2478	Hose Nozzle
27	710-3288	Hex Cap Screw 1/4-20 x 2.625
28	723-0295	Adjustment Clamp
29	749-1270A	Nozzle Handle
30	764-0648A	Vacuum Hose
31	720-0369	Handle Plug
32	731-06469	Hose Adapter

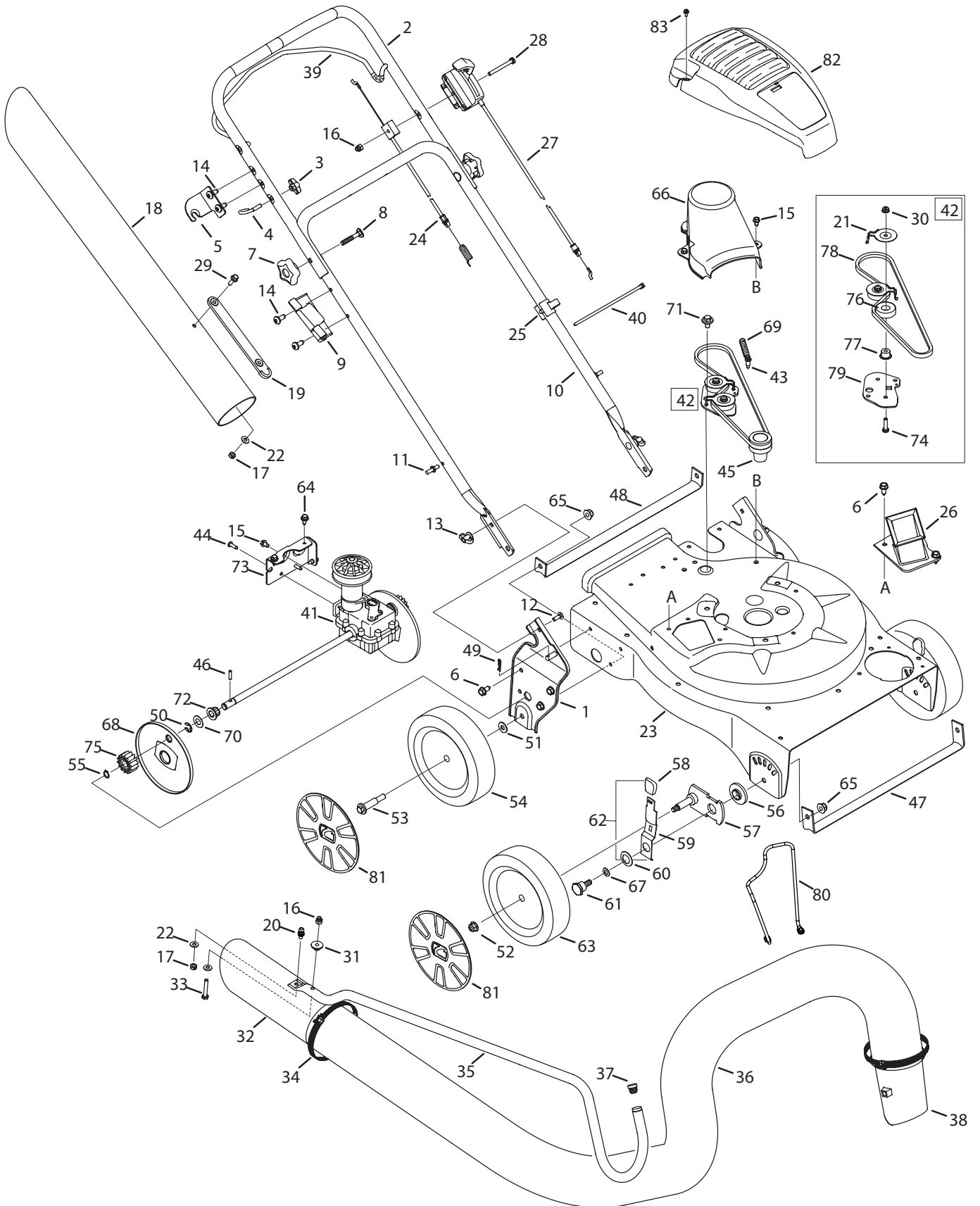
Ref No.	Part Number	Description
33	912-0442	Cap Lock Nut, 1/4-20
34	710-1611B	TT Screw, 5/16-18 x .750
35	781-04082	Front Wheel Support Brace
36	781-04081	Rear Wheel Support Brace
37	981-0156A	Handle Bracket Ass'y RH
	981-0155A	Handle Brkt Ass'y LH
38	914-0104	Cotter Pin
39	726-0299	Push Cap
40	711-04908	Axle
	711-06602	Axle
41	710-04482	HHflg, 3/8-16 x .875
42	741-04242	Height Adjustment Bearing
43	687-02342	Pivot Arm Assembly
	681-04195	Pivot Arm Assembly, Gullwing
44	720-0426	Height Adjustment Knob
45	732-1026	Spring Lever
46	987-02051	Height Lever Assembly (Incl. Ref.# 44-45)
47	736-0741	Bell Washer.760 ID x.25 OD
48	738-1172	Shoulder Screw,.750 x.500
49	634-04347	Front Wheel
	634-04665	Wheel 8 x 2
50	712-04065	Flange Lock Nut, 3/8-16
	712-04217	Flange Lock Nut, 3/8-16
51	936-0232	Washer, Wave, .531 x .781 x .013
52	634-04367	Rear Wheel
	634-04601	Rear Wheel, 11"
53	731-09094B	Engine Shroud
54	710-04509	Screw, #10-16 x 1.25
55	741-04108	Brg. Flg, Hex
56	748-0190	Spacer
57	936-0369	Washer, Flat, .508ID x 1.00 OD
58	731-08570†	Hubcap, 8"
59	731-08571†	Hubcap, 11"

† If Equipped

Ref No.	Part Number	Description
1	664-04040	Bag Assembly (incl. Ref 28)
2	681-0154	Screen Assembly
3	710-1054	Hex Screw 5/16-24 x 1.0
4	981-0490	Chipper Blade
5	781-0735	Pin Clip
6	719-0329	Flail
7	715-0166	Spiral Pin
8	711-1401	Clevis Pin
9	912-0411	Lock Nut, 5/16-24
10	936-0119	Lock Washer, 5/16
11	981-0152	Impeller Assembly (Incl. Ref.# 3 – 10)
12	710-1650	Shoulder Screw, #12-24 x.30 x.46
13	781-0721B	Lower Flail Housing
14	712-04063	Flange Lock Nut 5/16-18
15	710-0607	Screw, 5/16-18 x.500
16	747-04297	Hinge Pin
17	981-04031	Nozzle
18	781-1064	Base Adapter Door
19	732-1156	Torsion Spring
20	926-0106	Cap Speed Nut 1/4
21	711-1551	Pivot Rod
22	731-2485A	Nozzle Door Lever
23	710-1256	Hex Screw, #8-18 x 1.25
24	750-1294	Shoulder Spacer
25	732-3118	Extension Spring

Ref No.	Part Number	Description
26	732-1151A	Nozzle Door Torsion Spring
27	731-2294A	Nozzle Door
28	726-0288	Tie Strap, 42"
29	631-0083	Chute Assembly
30	710-0726	Hex Index Screw, 5/16-12 x.750
31	736-0247	Flat Washer.375 ID x 1.25 OD
32	936-0217	Lock Washer 3/8
33	710-0818	Hex Cap Screw 3/8-24 x 2.0
34	925-1700	Switch Cover
35	925-3166	Safety Switch
36	931-1613	Safety Switch Cover
37	910-0224	Hex Washer Screw #10-16 x.50
38	629-0920A	Wire Harness
39	914-0104	Cotter Pin
40	732-0962	Compression Spring
41	781-0778A	Mounting Bracket
42	747-1153	Lock Rod
43	710-3195	Hex Cap Screw 5/16-18 x 4.5
44	710-3025	Hex Cap Screw 5/16-18 x.625
45	710-0654A	Hex Washer Screw 3/8-16 x 1.00
46	710-1220	Screw, #12-16 x.750
47	710-0351	Screw #10 - 16 x.500
48	736-0607	External L-Washer 5/16
49	726-0139	Speed Nut
—	723-0400	Safety Glasses (Not Shown)

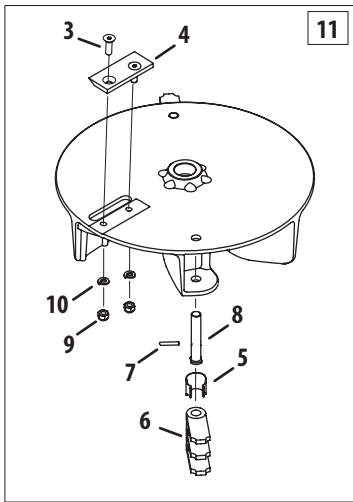
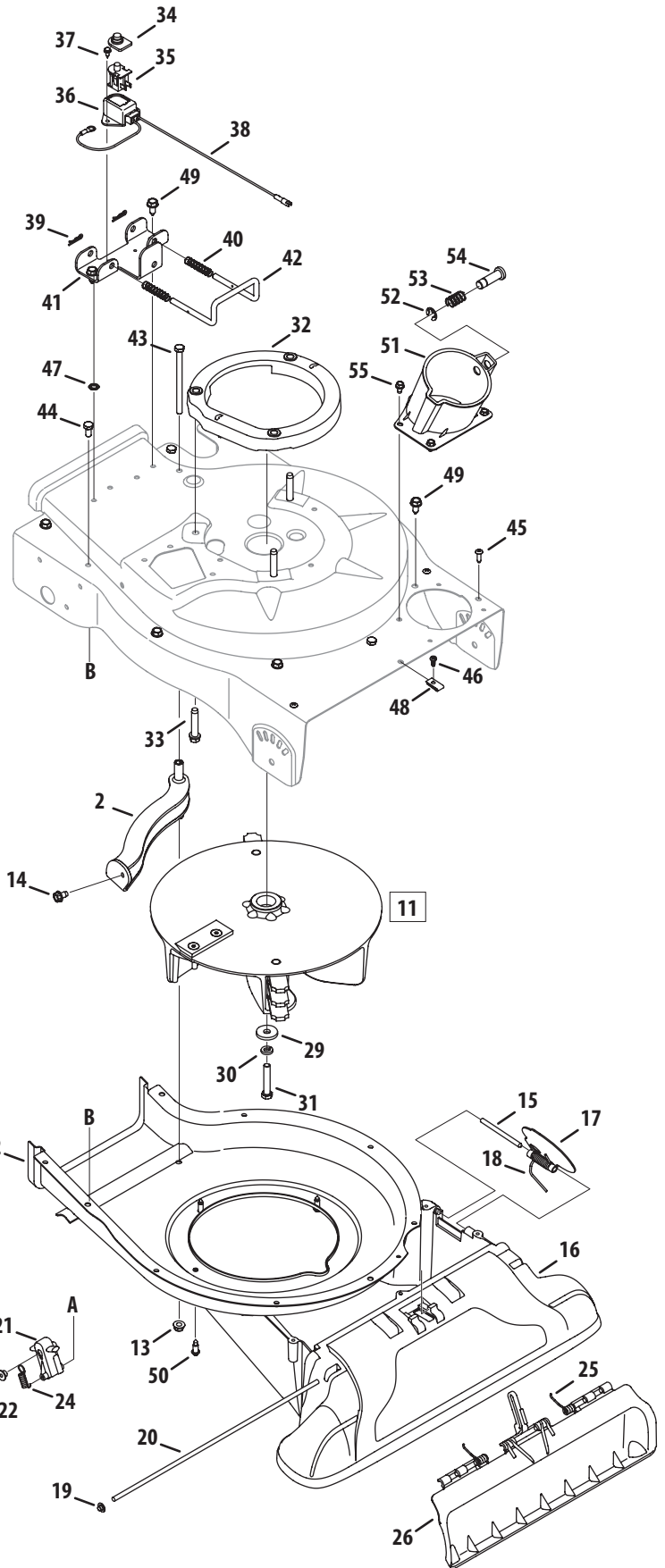
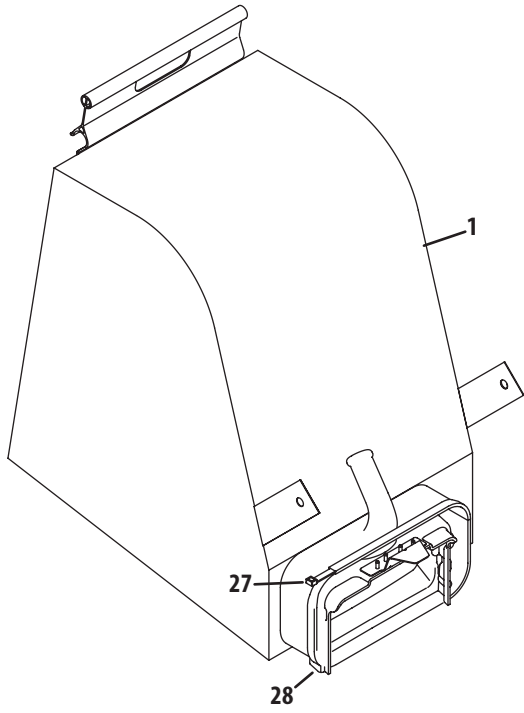
CSV Model 070



Ref	Part Number	Description
1	981-0156A	Handle Bracket Ass'y RH
	981-0155A	Handle Brkt Ass'y LH (Not Shown)
2	749-04163	Upper Handle
3	720-0279	Knob
4	710-1205	Eye Bolt
5	781-1056	Upper Handle Bracket
6	710-0726	Hex Cap Screw, 5/16-12 x.750
7	720-04072A	Handle Knob, 5/16-18
8	710-1174	Carriage Bolt
9	731-04911	Nozzle Handle Clip
10	749-04165	Lower Handle
11	711-06418	Studs
12	710-0703	Carriage Screw, 1/4-20 x.75
13	712-0397A	Wing Nut, 1/4-20
14	710-1611B	TT Screw, 5/16-18 x .750
15	710-05073	Screw, 1/4-20 x .500
16	912-0442	Cap Lock Nut, 1/4-20
17	912-0291	Hex Lock Nut, 1/4-20
18	731-06445	Hose Extension
19	723-04008A	Chute Strap
20	911-04069	Pin
21	782-7598	Belt Keeper
22	936-3020	Flat Washer.271 ID x.630 OD
23	781-04266	Upper Flail Housing
24	746-04156	Drive Control Cable
25	731-1820	Cable Guide
26	681-04088	Chipper Chute Assembly
27	946-04155A	Speed Control Cable
28	710-1122	Hex Screw, 1/4-20 x 2.50
29	710-04666	Screw, 1/4-20 x .75
30	712-04064	Flange Lock Nut, 1/4-20
31	748-0457	Spacer
32	731-2478	Hose Nozzle
33	710-3288	Hex Cap Screw, 1/4-20 x 2.625
34	723-0295	Adjustment Clamp
35	749-1270A	Nozzle Handle
36	764-0648A	Vacuum Hose
37	720-0369	Handle Plug
38	731-06469	Hose Adapter
39	747-06593	Drive Control
40	725-0157	Cable Tie
41	918-04460	Transmission Assembly
42	N/A	Idler Assembly (Incl. Ref.# 76-79)

Ref	Part Number	Description
43	710-1650	Shoulder Screw, #12-24 x .30 x .46
44	710-1220	Screw, #12-16 x .750
45	911-04245	Impeller Hub
46	915-0221	Dowel Pin
47	781-04082	Front Wheel Support Brace
48	781-04081	Rear Wheel Support Brace
49	914-0104	Cotter Pin
50	916-0104	E-Ring
51.	936-3004	Flat Washer, .406 x .875 x .105
52	712-04217	Flange Lock Nut, 3/8-16
53	738-04523	Shoulder Screw, 3/8-16
54	634-05040	Wheel, 8 x 2
55	716-0865	Snap Ring
56	741-04242	Height Adjustment Bearing
57	681-04195	Pivot Arm Assembly
58	720-0426	Height Adjustment Knob
59	732-1026	Spring Lever
60	736-0741	Bell Washer, .760 ID x.25 OD
61	738-1172	Shoulder Screw, .750 x.500
62	987-02051	Height Lever Assembly (Incl. Ref.# 58-59)
63	634-04665	Wheel 8 x 2
64	710-1652	Screw, 1/4-20 x .625
65	712-04065	Flange Lock Nut, 3/8-16
66	731-04879	Belt Cover
67	936-0314	Thrust Washer, .375 ID x.70 OD
68	731-04643	Wheel Cover
69	732-04217	Extension Spring, .375 x 2.95
70	936-0369	Flat Wash, .508ID x1.00OD x.020
71	738-0930	Shoulder Screw, .560 x.165
72	741-04108	Drive Axle Bushing
73	781-04078	Transmission Mounting Bracket
74	710-0597	Screw, 1/4-20 x 1.00
75	717-1762	Spur Gear - RH
	717-1761	Spur Gear - LH (Not Shown)
76.	941-0600	Ball Bearing
77	750-1050	Flange Spacer,.260 x.659 x.517
78	954-0369	Belt, 3/8 x 32.5
79	781-04077	Idler Bracket
80	747-04985	Tube Holder
81	731-08570	Hubcap, 8"
82	731-09094B	Engine Shroud
83	710-04509	Screw, #10-16 x 1.25

CSV Model 070



Ref No.	Part Number	Description
1	664-04040	Bag Assembly (incl. Ref 27)
2	681-0154	Screen Assembly
3	710-1054	Hex Screw, 5/16-24 x 1.0
4	981-0490	Chipper Blade
5	781-0735	Pin Clip
6	719-0329	Flail
7	715-0166	Spiral Pin
8	711-1401	Clevis Pin
9	912-0411	Lock Nut, 5/16-24
10	936-0119	Lock Washer, 5/16
11	981-0152	Impeller Assembly (Incl. Ref.# 3 – 10)
12	781-0721B	Lower Flail Housing
13	712-04063	Flange Lock Nut, 5/16-18
14	710-0607	Screw, 5/16-18 x.500
15	747-04297	Hinge Pin
16	981-04031	Nozzle
17	781-1064	Base Adapter Door
18	732-1156	Torsion Spring
19	926-0106	Cap Speed Nut, 1/4
20	711-1551	Pivot Rod
21	731-2485A	Nozzle Door Lever
22	710-1256	Hex Screw, #8-18 x 1.25
23	750-1294	Shoulder Spacer
24	732-3118	Extension Spring
25	732-1151A	Nozzle Door Torsion Spring
26	731-2294A	Nozzle Door
27	726-0288	Tie Strap, 42"
28	631-0083	Chute Assembly

Ref No.	Part Number	Description
29	736-0247	Flat Washer, .375 ID x 1.25 OD
30	936-0217	Lock Washer, 3/8
31	710-1273	Hex Cap Screw, 3/8-24 x 2.75
32	631-04118	Engine Spacer Assembly
33	710-1008	Screw, 3/8-16 x 1.875
34	925-1700	Switch Cover
35	925-3166	Safety Switch
36	931-1613	Safety Switch Cover
37	910-0224	Hex Washer Screw, #10-16 x.50
38	629-0920A	Wire Harness
39	914-0104	Cotter Pin
40	732-0962	Compression Spring
41	781-0778A	Mounting Bracket
42	747-1153	Lock Rod
43	710-3195	Hex Cap Screw, 5/16-18 x 4.5
44	710-3025	Hex Cap Screw, 5/16-18 x.625
45	710-1220	Screw, #12-16 x.750
46	710-0351	Screw, #10 - 16 x.500
47	736-0607	External L-Washer, 5/16
48	726-0139	Speed Nut
49	710-0726	Hex Index Screw, 5/16-12 x.750
50	710-1650	Shldr. Screw, #12-24 x .30 x .46
51	681-0195	Hose Base Adapter Assembly (Incl. Ref.# 52-54)
52	916-0104	E Ring, .500 Dia
53	932-3035	Compression Spring
54	711-1571	Clevis Pin
55	710-05073	Screw, 1/4-20 x .500
—	723-0400	Safety Glasses (Not Shown)

LS 27 CC Labels

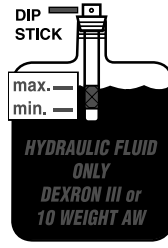
777X45191



Filled with
Shell Tellus S2 M 32

PL-TS2M32

777123426



HYDRAULIC FLUID
Maintain fluid level within the ranges specified on the dipstick. **DO NOT OVERFILL!** Check when fluid is cold and with unit level. Never run below this level. Pump will be ruined. Change hydraulic fluid every 100 hours of use. Change hydraulic filter every 50 hours of use. Use only a 10 micron hydraulic filter.

Order Part Number Hydraulic Filter 723-0405

777D14951

277cc OHV

Cub Cadet

D14951

777S33682

⚠ DANGER

- Do not use your hands to dislodge log from wedge.
- Keep hands away from wedge, end plate, partially split wood and moving parts.
- If the wedge moves FORWARD with the control handle released, STOP USE IMMEDIATELY, valve may be damaged.

CONTROL VALVE

↑
REVERSE
NEUTRAL
FORWARD
↓

LOG DISLODGER
Fully retract wedge, lodged wood will be automatically removed.
LUBRICATE BEAM BEFORE EACH USE. REFER TO OPERATOR'S MANUAL FOR DETAILS.

⚠ DANGER
KEEP HANDS and FEET AWAY



777S33681

⚠ WARNING TO AVOID INJURY AND/OR PROPERTY DAMAGE

MOVING LOG SPLITTER BY HAND

- Lock beam in horizontal position.
- Lock jack stand in down position.
- Do not attempt to move log splitter up or down a slope by hand.

TOWING LOG SPLITTER

- Lock beam in horizontal position.
- Attach coupler to Class I or higher hitch with 2" ball. Latch securely.
- If coupler adjustment is needed, refer to owner's manual.

- Raise jack stand and latch securely in full up position.
- Attach safety chains to tow vehicle.
- Do not tow faster than 45 mph.
- High speed may cause loss of control.
- Check local, state and federal requirements before towing on any public road.

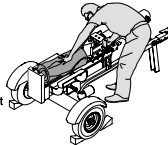
777S33680

OPERATOR'S INSTRUCTIONS

VERTICAL

- READ THE OPERATOR'S MANUAL
- Place log splitter on flat dry solid ground and block wheels.
- Lock in either the Horizontal or Vertical position.
- Start engine, set throttle to maximum speed and allow hydraulic fluid to warm up.
- Place the log against the end plate.
- Stabilize log with your left hand (as shown) on its side opposite the beam, when needed. Remove your left hand when wedge just contacts the log.
- Move control handle FORWARD with your right hand to split log. Release control handle to NEUTRAL to stop wedge.
- Move control handle to REVERSE to fully retract the wedge and dislodge the log.

HORIZONTAL



⚠ DANGER

- Read operator's manual.
- Keep hands away from wedge, end plate, partly split wood and moving parts.
- Stabilize log on its side opposite the beam, never on ends between log and wedge on log and end plate.
- Only one operator permitted. Adult who loads and stabilizes log must be person operating the control handle.
- Keep bystanders, helpers and children at least 10 feet away.
- Never check for leaks with your hands. High pressure fluid can escape through a pin hole leak and cause serious injury by puncturing the skin and causing blood poisoning.
- Operate the log splitter on flat, dry, solid ground and block wheels.
- Wear protective work gloves, safety shoes and safety glasses, watch your footing.
- Never operate under the influence of alcohol or drugs.
- Do not refuel a hot or running engine.

⚠ WARNING
Operation Of This Equipment May Create Sparks That Can Start Fires Around Dry Vegetation. A Spark Arrestor May Be Required. The Operator Should Contact Local Fire Agencies For Laws Or Regulations To Fire Prevention Requirements.

777D14955

Cub Cadet

277cc OHV
CAST IRON SLEEVE

D14955

777D14953

Cub Cadet

27^{US} TON
HIGH PERFORMANCE
COMMERCIAL GRADE LOG SPLITTER

08887-00

777X45191



Filled with
Shell **Tellus S2 M 32**
PL-TS2M32

777120798

**USE SAE
10W30 OIL**

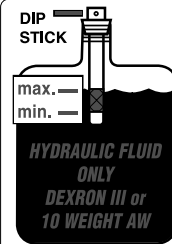
777x43688

**DO NOT
USE E85 OR FUEL
CONTAINING MORE
THAN 10% ETHANOL**

TO AVOID ENGINE DAMAGE



777123426



HYDRAULIC FLUID
Maintain fluid level within the ranges specified on the dipstick. **DO NOT OVERFILL!** Check when fluid is cold and with unit level. Never run below this level. Pump will be ruined. Change hydraulic fluid every 100 hours of use. Change hydraulic filter every 50 hours of use. Use only a 10 micron hydraulic filter.

Order Part Number Hydraulic Filter 723-0405

777533682

⚠ DANGER

- Do not use your hands to dislodge log from wedge.
- Keep hands away from wedge, end plate, partially split wood and moving parts.
- If the wedge moves FORWARD with the control handle released, STOP USE IMMEDIATELY, valve may be damaged.

CONTROL VALVE

↑
REVERSE
NEUTRAL
FORWARD
↓

LOG DISLODGER
Fully retract wedge, lodged wood will be automatically removed.
LUBRICATE BEAM BEFORE EACH USE. REFER TO OPERATOR'S MANUAL FOR DETAILS.

⚠ DANGER
KEEP HANDS and FEET AWAY



777533681

⚠ WARNING TO AVOID INJURY AND/OR PROPERTY DAMAGE

MOVING LOG SPLITTER BY HAND

- Lock beam in horizontal position.
- Lock jack stand in down position.
- Do not attempt to move log splitter up or down a slope by hand.

TOWING LOG SPLITTER

- Lock beam in horizontal position.
- Attach coupler to Class I or higher hitch with 2" ball. Latch securely.
- If coupler adjustment is needed, refer to owner's manual.

- Raise jack stand and latch securely in full up position.
- Attach safety chains to tow vehicle.
- Do not tow faster than 45 mph.
- High speed may cause loss of control.
- Check local, state and federal requirements before towing on any public road.

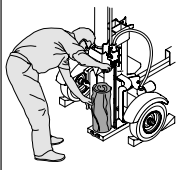
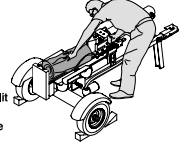
777533680

OPERATOR'S INSTRUCTIONS

VERTICAL

- READ THE OPERATOR'S MANUAL
- Place log splitter on flat dry solid ground and block wheels.
- Lock in either the Horizontal or Vertical position.
- Start engine, set throttle to maximum speed and allow hydraulic fluid to warm up.
- Place the log against the end plate.
- Stabilize log with your left hand (as shown) on its side opposite the beam, when needed. Remove your left hand when wedge just contacts the log.
- Move control handle FORWARD with your right hand to split log. Release control handle to NEUTRAL to stop wedge.
- Move control handle to REVERSE to fully retract the wedge and dislodge the log.

HORIZONTAL

⚠ DANGER

- Read operator's manual.
- Keep hands away from wedge, end plate, partly split wood and moving parts.
- Stabilize log on its side opposite the beam, never on ends between log and wedge or log and end plate.
- Only one operator permitted. Adult who loads and stabilizes log must be person operating the control handle.
- Keep bystanders, helpers and children at least 10 feet away.
- Never check for leaks with your hands. High pressure fluid can escape through a pin hole leak and cause serious injury by puncturing the skin and causing blood poisoning.
- Operate the log splitter on flat, dry, solid ground and block wheels.
- Wear protective work gloves, safety shoes and safety glasses, watch your footing.
- Never operate under the influence of alcohol or drugs.
- Do not refuel a hot or running engine.

⚠ WARNING
Operation Of This Equipment May Create Sparks That Can Start Fires Around Dry Vegetation. A Spark Arrestor May Be Required. The Operator Should Contact Local Fire Agencies For Laws Or Regulations To Fire Prevention Requirements.

777D18235

Cub Cadet

25 U.S. TON

LOG SPLITTER

LS 33 CC Labels

777X45191



Filled with
Shell **Tellus S2 M 32**

PL-TS2M32

777X43688



777D14951



D14951

777I23426

HYDRAULIC FLUID
Maintain fluid level within the ranges specified on the dipstick. **DO NOT OVERFILL!** Check when fluid is cold and with unit level. Never run below this level. Pump will be ruined. Change hydraulic fluid every 100 hours of use. Change hydraulic filter every 50 hours of use. Use only a 10 micron hydraulic filter.
Order Part Number Hydraulic Filter 723-0405

777S33682

⚠ DANGER

- Do not use your hands to dislodge log from wedge.
- Keep hands away from wedge, end plate, partially split wood and moving parts.
- If the wedge moves FORWARD with the control handle released, STOP USE IMMEDIATELY, valve may be damaged.

⚠ DANGER
KEEP HANDS and FEET AWAY

CONTROL VALVE

↑
REVERSE

NEUTRAL

FORWARD
↓

LOG DISLODGER
Fully retract wedge, lodged wood will be automatically removed.
LUBRICATE BEAM BEFORE EACH USE. REFER TO OPERATOR'S MANUAL FOR DETAILS.

777S33681

⚠ WARNING TO AVOID INJURY AND/OR PROPERTY DAMAGE

<p>MOVING LOG SPLITTER BY HAND</p> <ul style="list-style-type: none"> Lock beam in horizontal position. Lock jack stand in down position. Do not attempt to move log splitter up or down a slope by hand. 	<p>TOWING LOG SPLITTER</p> <ul style="list-style-type: none"> Lock beam in horizontal position. Attach coupler to Class I or higher hitch with 2" ball. Latch securely. If coupler adjustment is needed, refer to owner's manual. 	<ul style="list-style-type: none"> Raise jack stand and latch securely in full up position. Attach safety chains to tow vehicle. Do not tow faster than 45 mph. High speed may cause loss of control. Check local, state and federal requirements before towing on any public road.
---------------------------------------------------------------------------------------------------------------------------------------------------------------------------------------------------------------------------------------------------	---------------------------------------------------------------------------------------------------------------------------------------------------------------------------------------------------------------------------------------------------------------------------	----------------------------------------------------------------------------------------------------------------------------------------------------------------------------------------------------------------------------------------------------------------------------------------------------------------------------------------

777S33680

OPERATOR'S INSTRUCTIONS

VERTICAL

- READ THE OPERATOR'S MANUAL
- Place log splitter on flat dry solid ground and block wheels.
- Lock in either the Horizontal or Vertical position.
- Start engine, set throttle to maximum speed and allow hydraulic fluid to warm up.
- Place the log against the end plate.
- Stabilize log with your left hand (as shown) on its side opposite the beam, when needed. Remove your left hand when wedge just contacts the log.
- Move control handle FORWARD with your right hand to split log. Release control handle to NEUTRAL to stop wedge.
- Move control handle to REVERSE to fully retract the wedge and dislodge the log.

HORIZONTAL

⚠ DANGER

- Read operator's manual.
- Keep hands away from wedge, end plate, partly split wood and moving parts.
- Stabilize log on its side opposite the beam, never on ends between log and wedge or log and end plate.
- Only one operator permitted. Adult who loads and stabilizes log must be person operating the control handle.
- Keep bystanders, helpers and children at least 10 feet away.
- Never check for leaks with your hands. High pressure fluid can escape through a pin hole leak and cause serious injury by puncturing the skin and causing blood poisoning.
- Operate the log splitter on flat, dry, solid ground and block wheels.
- Wear protective work gloves, safety shoes and safety glasses, watch your footing.
- Never operate under the influence of alcohol or drugs.
- Do not refuel a hot or running engine.

⚠ WARNING
Operation Of This Equipment May Create Sparks That Can Start Fires Around Dry Vegetation. A Spark Arrestor May Be Required. The Operator Should Contact Local Fire Agencies For Laws Or Regulations To Fire Prevention Requirements.

777D14955

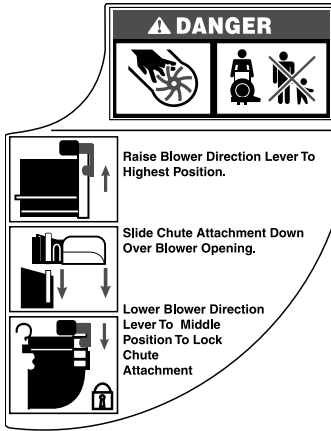
277cc OHV
CAST IRON SLEEVE

D14955

777D20971

33 US TON
LOG SPLITTER

777S32905



777D16360



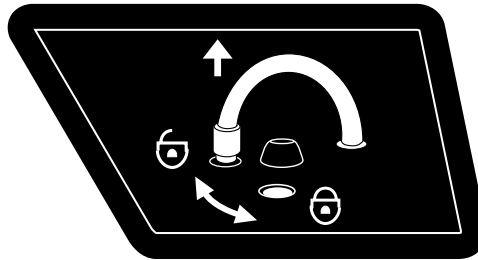
777D15169



777S32904



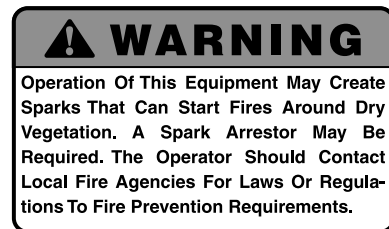
777I22812



777X43688



777S33200



777D15167

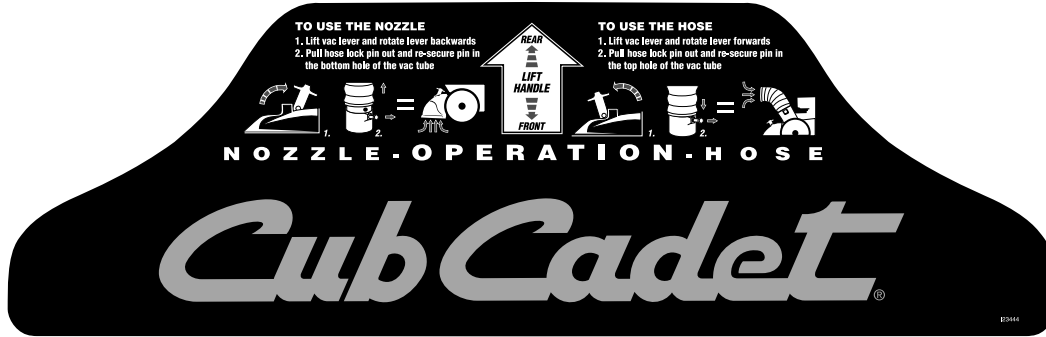


777S33732

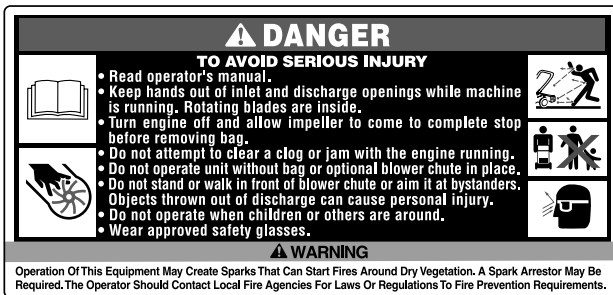


CSV Model 050 Labels

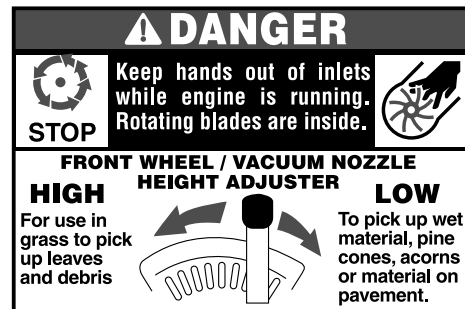
777123444



777533694



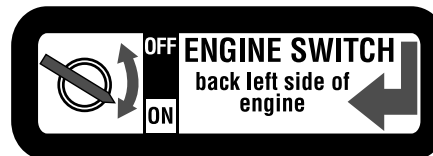
777533695



777D16358



777123042



777X43688



777123444

TO USE THE NOZZLE
 1. Lift vac lever and rotate lever backwards
 2. Pull hose lock pin out and re-secure pin in the bottom hole of the vac tube

TO USE THE HOSE
 1. Lift vac lever and rotate lever forwards
 2. Pull hose lock pin out and re-secure pin in the top hole of the vac tube

NOZZLE - OPERATION - HOSE

Cub Cadet

777S33694

⚠ DANGER
TO AVOID SERIOUS INJURY

- Read operator's manual.
- Keep hands out of inlet and discharge openings while machine is running. Rotating blades are inside.
- Turn engine off and allow impeller to come to complete stop before removing bag.
- Do not attempt to clear a clog or jam with the engine running.
- Do not operate unit without bag or optional blower chute in place.
- Do not stand or walk in front of blower chute or aim it at bystanders.
- Objects thrown out of discharge can cause personal injury.
- Do not operate when children or others are around.
- Wear approved safety glasses.

⚠ WARNING
 Operation Of This Equipment May Create Sparks That Can Start Fires Around Dry Vegetation. A Spark Arrestor May Be Required. The Operator Should Contact Local Fire Agencies For Laws Or Regulations To Fire Prevention Requirements.

777S33695

⚠ DANGER

STOP Keep hands out of inlets while engine is running. Rotating blades are inside.

FRONT WHEEL / VACUUM NOZZLE HEIGHT ADJUSTER

HIGH For use in grass to pick up leaves and debris

LOW To pick up wet material, pine cones, acorns or material on pavement.

777D20980

Cub Cadet

CSV 070

CHIPP ER SHRE DDER VACUUM

SELF-PROPELLED

159cc
PERFORMANCE TUNED ENGINE

3 YEAR
 LIMITED WARRANTY
 WITH 3 YEAR LIMITED WARRANTY

D20980

777I22416

WHEEL DRIVE CONTROL

Fully Lift Bail To Handle For Wheel Engagement

777I22415

SPEED SELECT

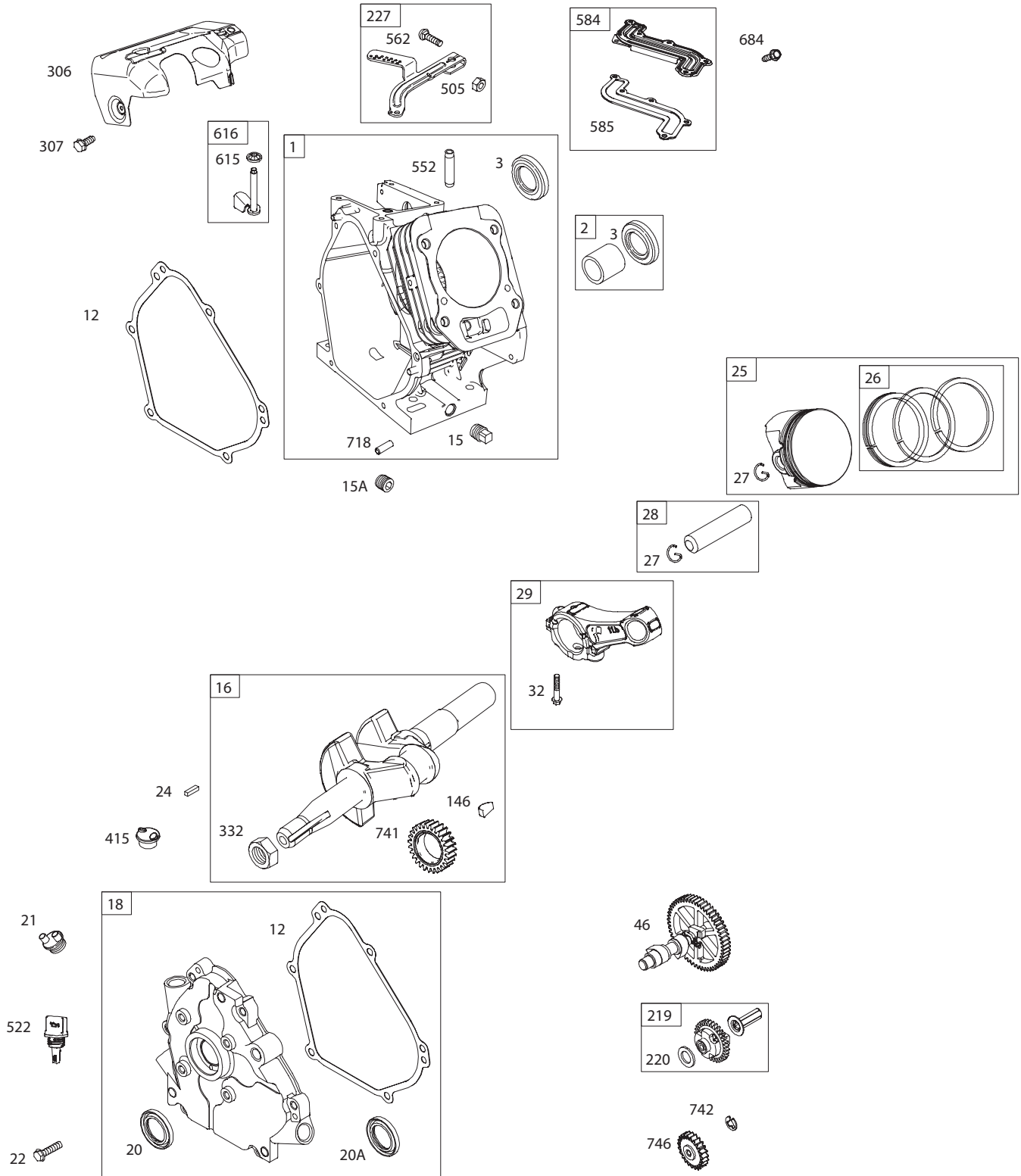
Do Not Shift unless Engine is Running

LOW **HIGH**

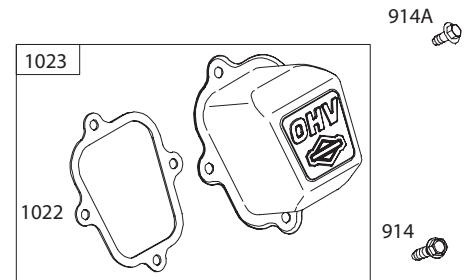
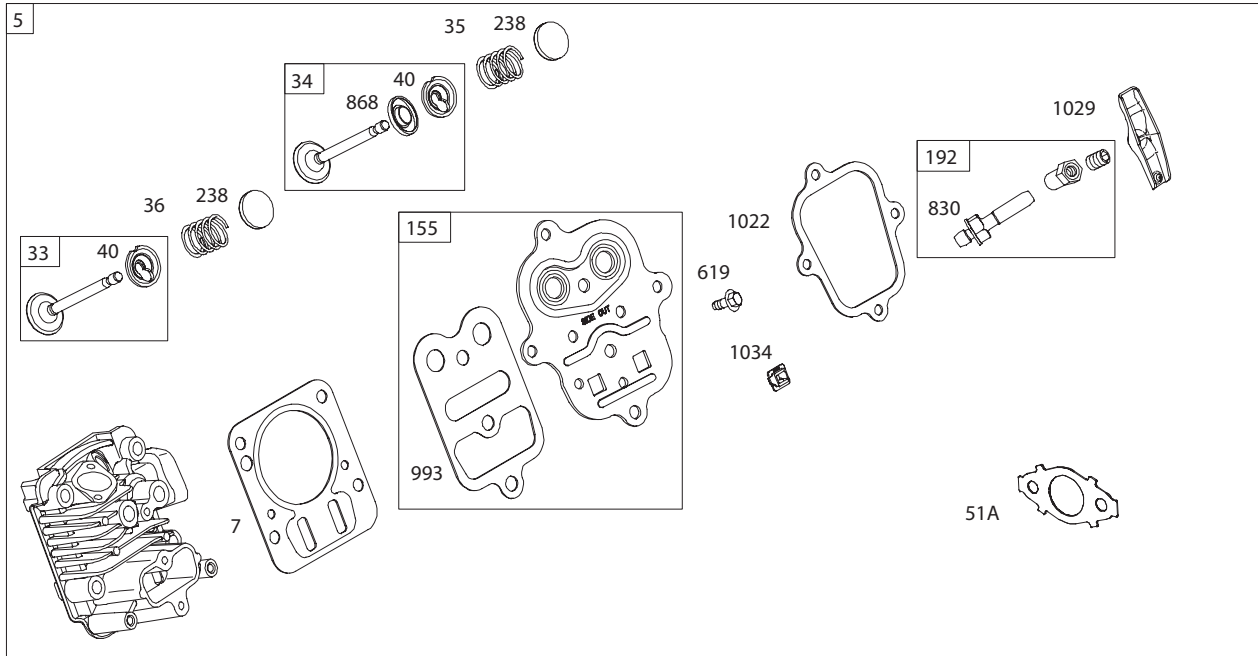
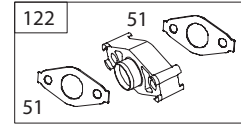
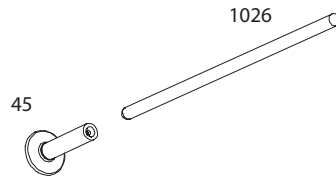
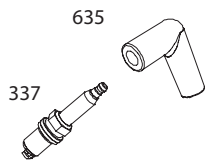
Briggs & Stratton Engine Model 15T202

48 SHOR TB LOCK

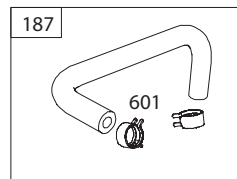
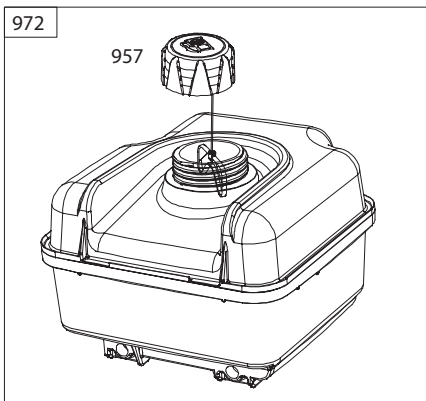
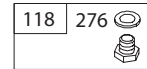
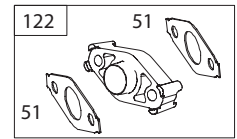
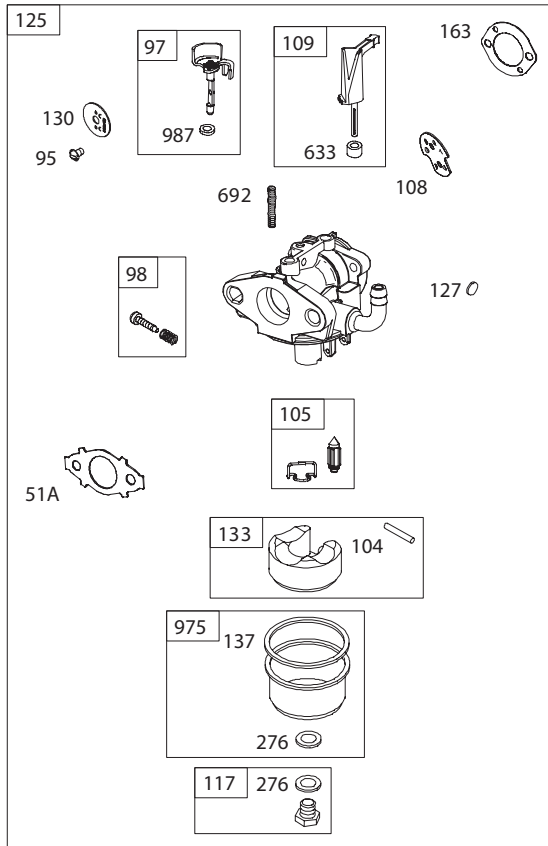
1329 REPL ACEN EN TE NGIN E



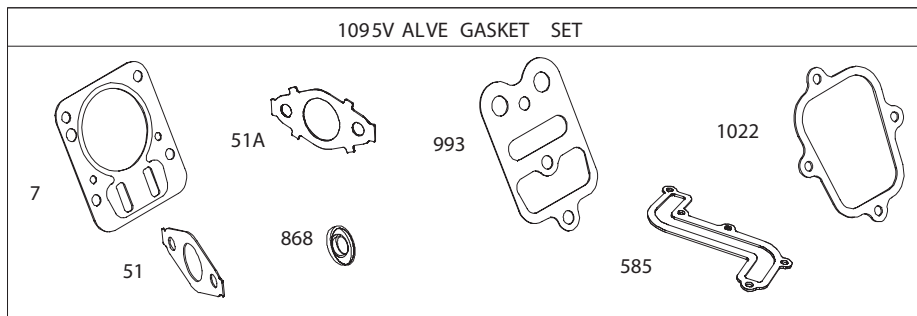
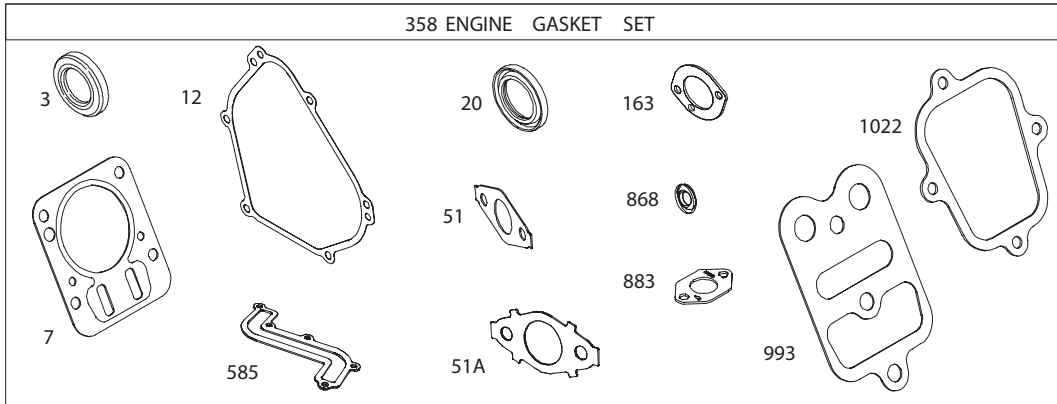
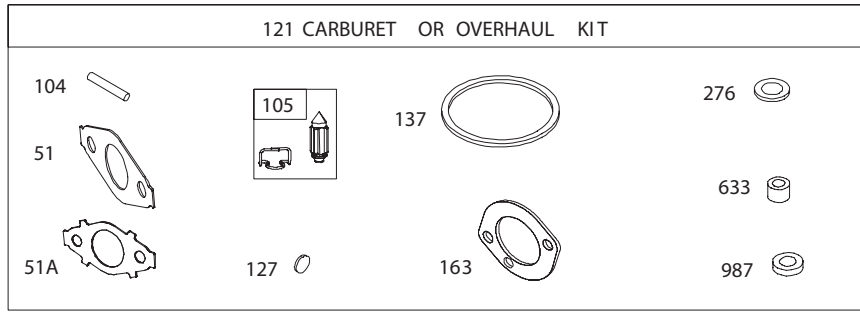
Briggs & Stratton Engine Model 15T202



Briggs & Stratton Engine Model 15T202



Briggs & Stratton Engine Model 15T202



Briggs & Stratton Engine Model 15T202

Ref.	Part No.	Description
1	BS-794188	Cylinder Assembly
2	BS-399269	Kit-Bushing/Seal (Magneto Side)
3	BS-299819s	Seal-Oil (Magneto Side)
5	BS-791720	Head-Cylinder
7	BS-791716	Gasket-Cylinder Head
11	BS-790632	Tube-Breather
12	BS-699485	Gasket-Crankcase
13	BS-699482	Screw (Cylinder Head)
15	BS-691686	Plug-Oil Drain
15A	N/A	Plug-Oil Drain (Front Drain Hole)
16	BS-797076	Crankshaft
18	BS-699804	Cover-Crankshaft
20	BS-692550	Seal-Oil (PTO Side)
20A	BS-694171	Seal-Oil (PTO Side)
21	BS-281658s	Cap-Oil Fill
22	BS-699478	Screw (Crankcase Cover/Sump)
23	BS-798821	Flywheel
24	BS-796335	Key-Flywheel (Steel)
25	BS-791786	Piston Assembly (Standard)
—	BS-791791	Piston Assembly (.020" Oversize)
26	BS-791787	Ring Set (Standard)
—	BS-791792	Ring Set (.020" Oversize)
27	BS-690975	Lock-Piston Pin
28	BS-690229	Pin-Piston
29	BS-791783	Rod-Connecting
32	BS-791784	Screw (Connecting Rod)
33	BS-499642	Valve-Exhaust
34	BS-795443	Valve-Intake
35	BS-691304	Spring-Valve (Intake)
36	BS-691304	Spring-Valve (Exhaust)
40	BS-692194	Retainer-Valve
45	BS-690977	Tappet-Valve
46	BS-693404	Camshaft
48	N/A	Short Block
51	BS-692555	Gasket-Intake
51A	BS-791718	Gasket-Intake
58	N/A	Rope-Starter
60	BS-490652	Grip-Starter Rope
65	BS-690837	Screw (Rewind Starter) (#10-32x.27)
65A	BS-699228	Screw (Rewind Starter) (Metric)
95	BS-691636	Screw (Throttle Valve)
97	BS-797628	Shaft-Throttle

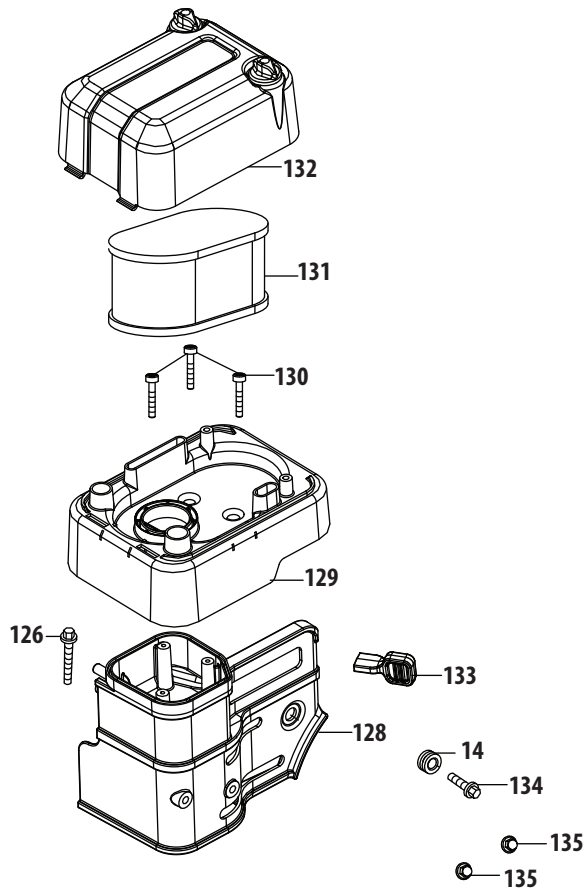
Ref.	Part No.	Description
98	BS-797156	Kit-Idle Speed
104	BS-797622	Pin-Float Hinge
105	BS-797139	Valve-Float Needle
108	BS-796993	Valve-Choke
109	BS-690023	Shaft-Choke
117	BS-798652	Jet-Main (Standard)
118	BS-798651	Jet-Main (High Altitude)
121	BS-797634	Kit-Carburetor Overhaul
122	BS-795643	Spacer-Carburetor
125	BS-798654	Carburetor
127	BS-797633	Plug-Welch
130	BS-797630	Valve-Throttle
133	BS-797136	Float-Carburetor
137	BS-797625	Gasket-Float Bowl
146	BS-690979	Key-Timing
155	BS-797442	Plate-Cylinder Head
161	BS-790631	Base-Air Cleaner
163	BS-696024	Gasket-Air Cleaner
187	BS-791874	Line-Fuel (Formed)
188	BS-699479	Screw (Control Bracket) (M6x14.73mm)
188A	BS-699206	Screw (Control Bracket) (M5x9.5mm)
190	BS-699220	Screw (Fuel Tank)
192	BS-797440	Adjustor-Rocker Arm
209	BS-692571	Spring-Governor (No Color)
209A	BS-691278	Spring-Governor (Platinum)
219	BS-693578	Gear-Governor
220	BS-691724	Washer (Governor Gear)
222	BS-793107	Bracket-Control
227	BS-794367	Lever-Governor Control
238	BS-691300	Valve-Cap
271	N/A	Lever-Control (Control Bracket)
276	BS-797632	Washer-Sealing
281	BS-793122	Panel-Control
300	BS-693593	Muffler
304	BS-699598	Housing-Blower
305	BS-699481	Screw (Blower Housing)
306	BS-693610	Shield-Cylinder
307	BS-699483	Screw (Cylinder Shield)
332	BS-792723	Nut (Flywheel)
333	BS-796964	Armature-Magneto
334	BS-699477	Screw (Magneto Armature)
337	759-3336	Plug-Spark

Briggs & Stratton Engine Model 15T202

Ref.	Part No.	Description
356	BS-695814	Wire-Stop
358	BS-791797	Gasket Set-Engine
365	BS-699484	Screw (Carburetor)
415	BS-693463	Plug
427	BS-798458	Nut (Governor Control Lever)
445	BS-491588s	Filter-Air Cleaner Cartridge
455	BS-591302	Cup-Flywheel
504	BS-695383	Washer Set-Friction (Control Bracket)
505	BS-691251	Nut (Governor Control Lever)
522	BS-798503	Plug-Dipstick/Fill
535	BS-493537s	Filter-Air Cleaner Foam
552	BS-231078	Bushing-Governor Crank
562	BS-691119	Bolt (Governor Control Lever)
584	BS-791759	Cover-Breather Passage
585	BS-791760	Gasket-Breather Passage
592	712-0349	Nut (Rewind Starter)
601	BS-791850	Clamp-Hose (Green)
608	BS-591301	Starter-Rewind
613	BS-791972	Screw (Muffler)
615	BS-692576	Retainer-Governor Shaft
616	BS-692547	Crank-Governor
619	BS-699481	Screw (Cylinder Head Plate)
621	BS-692310	Switch-Stop
632	BS-693408	Spring/Link-Mechanical Governor
633	BS-693867	Seal-Choke/Throttle Shaft (Choke Shaft)
635	BS-692076	Boot-Spark Plug
663	BS-699206	Screw (Control Panel)
668	BS-694257	Spacer (Control Panel)
684	BS-793369	Screw (Breather Passage Cover)
692	BS-797624	Spring-Detent
718	BS-690959	Pin-Locating
741	BS-695087	Gear-Timing
742	BS-692564	Retainer-E Ring
746	BS-790278	Gear-Idler
773	N/A	Retainer (Control Bracket)
830	BS-797441	Stud-Rocker Arm
832	BS-593953	Guard-Muffler
836	BS-699632	Screw (Muffler Guard)
851	BS-493880s	Terminal-Spark Plug
868	BS-795440	Seal-Valve
883	BS-691893	Gasket-Exhaust
914	BS-699481	Screw (Rocker Cover) (M6x15.88mm)

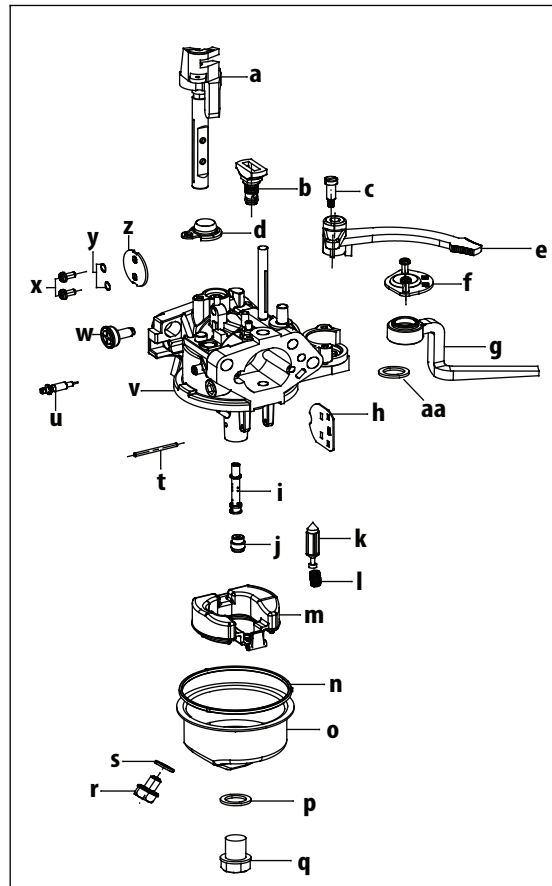
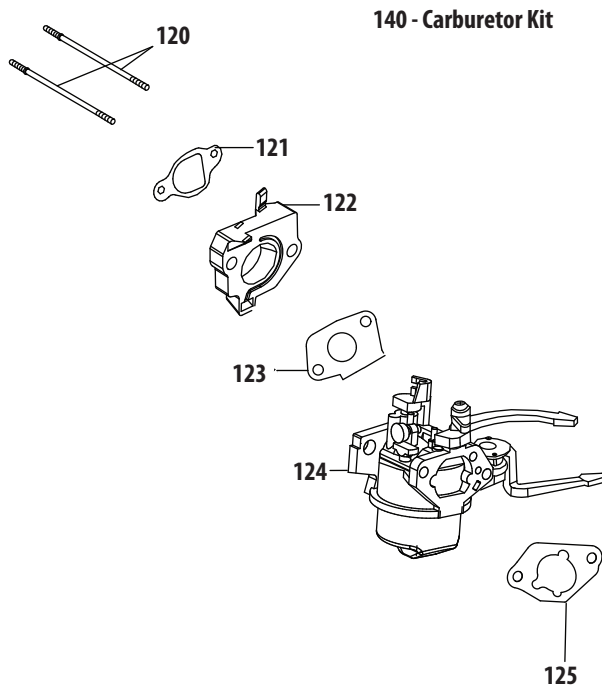
Ref.	Part No.	Description
914A	BS-797444	Screw (Rocker Cover) (M6x9.53mm)
951	BS-790630	Lever-Choke
957	BS-799719	Cap-Fuel Tank
968	BS-791082	Cover-Air Cleaner
971	BS-798649	Screw (Air Cleaner Base to Carburetor)
972	BS-799863	Tank-Fuel
975	BS-797631	Bowl-Float
987	BS-797629	Seal-Throttle Shaft
993	BS-694088	Gasket-Cylinder Head Plate
1005	BS-794273	Fan-Flywheel
1022	BS-691890	Gasket-Rocker Cover
1023	BS-499924	Cover-Rocker
1026	BS-790287	Rod-Push
1029	BS-797443	Arm-Rocker
1034	BS-691343	Guide-Push Rod
1036		Label-Emissions (Available from a Briggs & Stratton Authorized Dealer)
1095	BS-791798	Gasket Set-Valve
1329	N/A	Replacement Engine
1395	BS-690370	Screw (Air Cleaner Base)

Engine Model 178-LU Air Cleaner



Ref.	Part Number	Description
14	736-04452	Isolator Bushing
126	710-04969	Bolt M6x30
128	951-14392	Air Filter Base
129	951-12408	Middle Air Filterbox
130	710-05352	Countersunk Screw
131	951-12260	Air Filter Cover
132	951-12047	Air Filter Cover Assembly
133	951-12409	Throttle Control Knob
134	710-04968	Bolt M6x16
135	712-04213	Acorn Nut

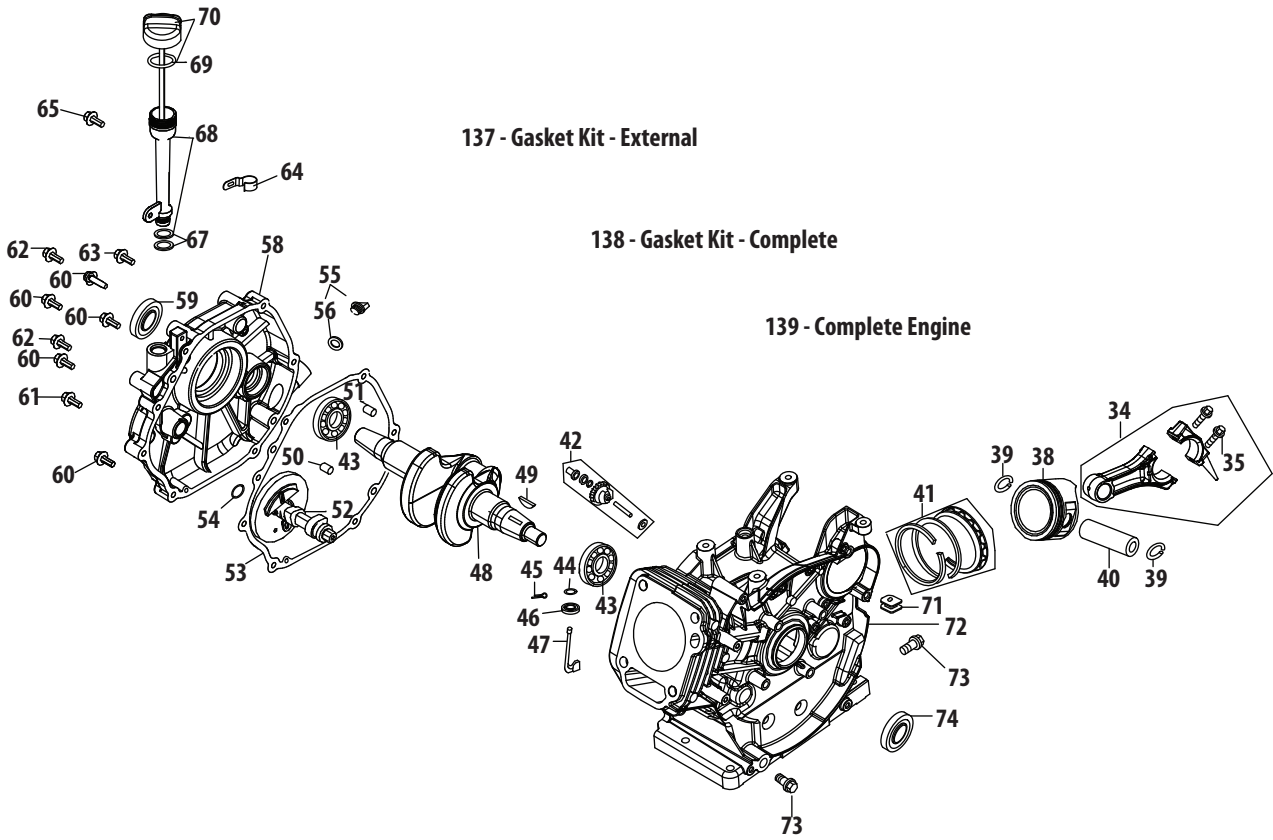
178-LU Carburetor Assembly



Ref.	Part Number	Description
120	710-05351	Stud
121	951-11225	Carburetor Insulator Gasket
122	951-11222	Carburetor Insulator
123	951-11223	Carburetor Gasket
124	951-12791	Carburetor Assembly
125	951-12406	Carburetor Gasket Plate
140	951-12762A	Carburetor Kit (Incl.b,l,j,k,l,m,n,p,s,t)
a	n/a	Throttle Shaft
b	n/a	Idle Jet Assembly
c	710-05459	Choke Control Screw
d	n/a	Lock Plate
e	951-12422	Choke Knob
f	951-12792	Fuel Shutoff Cover
g	951-12423	Fuel Shutoff Lever
h	n/a	Choke Plate
i	n/a	Emulsion Tube

Ref.	Part Number	Description
j	n/a	Main Jet
k	n/a	Needle Valve
l	n/a	Needle Valve Spring
m	n/a	Float
n	951-11970	Fuel Bowl Gasket
o	n/a	Fuel Bowl Assembly
p	951-11348	Fuel Bowl Gasket
q	710-04945	Fuel Bowl Mounting Bolt
r	710-04938	Fuel Drain Plug
s	951-11349	Fuel Drain Plug Gasket
t	n/a	Float Pin
u	n/a	Mixture Screw
v	n/a	Carburetor Body
w	710-05469	Idle Speed Adjusting Screw
x	n/a	Screw M3x5
y	736-04638	Lock Washer
z	n/a	Throttle Plate

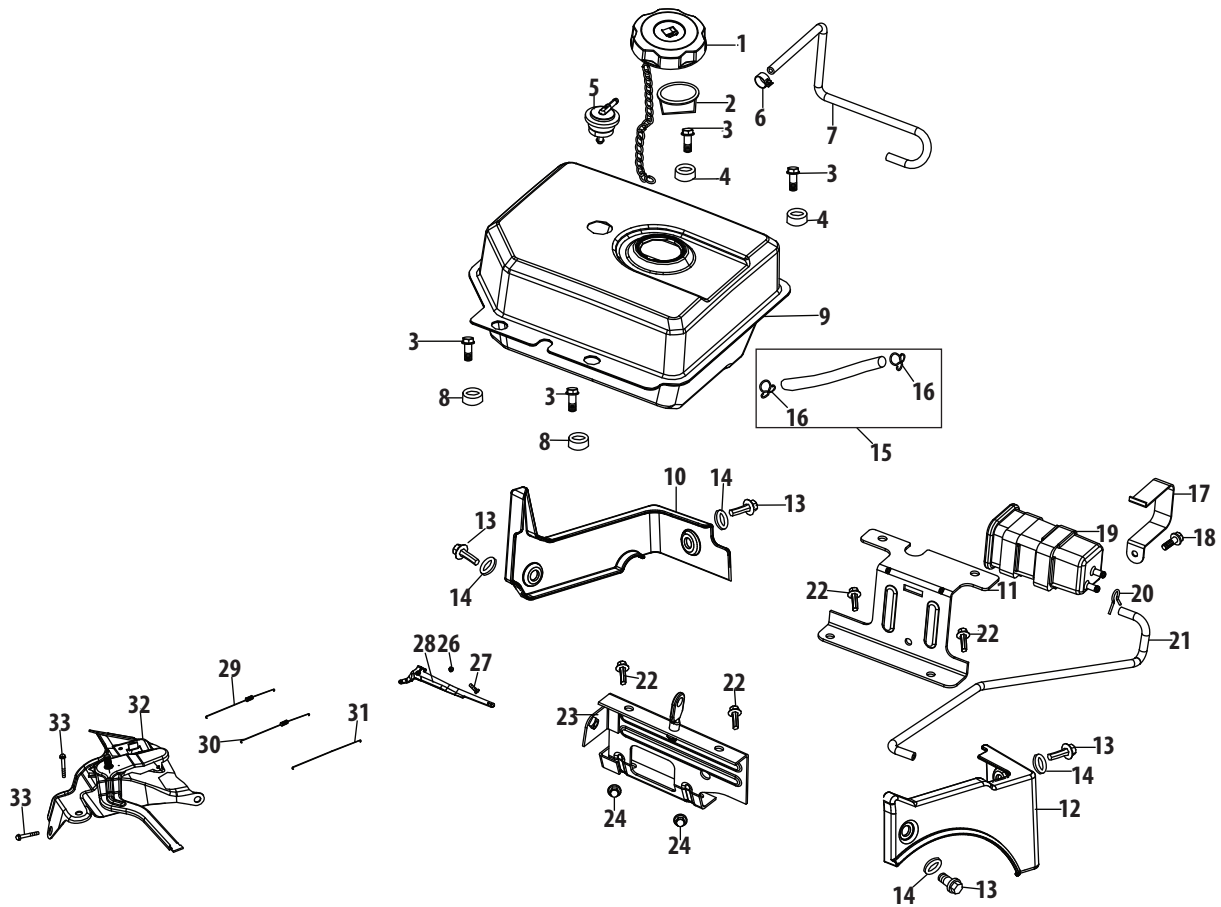
178-LU Crankshaft & Crankcase



178-LU Crankshaft & Crankcase

Ref.	Part Number	Description	Ref.	Part Number	Description
34	951-12066	Connecting Rod Assembly	59	951-12396	Oil Seal, 30x46x8
35	710-05319	Connecting Rod Bolt	60	710-04971	Bolt M8x38
38	951-12043	Piston	61	710-04972	Bolt M8x45
39	951-11632	Piston Pin Snap Ring	62	710-05052	Bolt M8x35
40	951-12044	Piston Pin	63	710-04968	Bolt M6x16
41	951-12387	Piston Ring Set	64	951-11320	Dipstick Clamp
42	751-12068	Governor Gear/Shaft Assembly	65	710-05349	Bolt M6x8
43	951-12069	Radial Ball Bearing	67	951-11381	O-Ring
44	736-04453	Washer 8x20x0.8	68	951-12073	Oil Fill Tube Assembly
45	714-04077	Cotter Pin	69	951-11904	O-Ring, Dipstick
46	951-11958	Governor Seal	70	951-11971A	Disptick Assembly
47	951-12071	Governor Arm Shaft	71	951-12398	Wire Clamp Rubber
48	951-05050	Crankshaft Kit (Incl.43,48,59,74)	72	951-05051	Crankcase Service Kit (Incl.43,46,72,74)
49	951-10307	Woodruff Key		951-05045	Shortblock Assembly (Incl.34,38-48,50-62,71,74,90, 93,94,97,102,115,121-123)
50	715-04102	Dowel Pin 9x12	73	951-12514	Oil Drain Plug
51	715-04092	Dowel Pin 7x14	74	951-12400	Oil Seal 30x46x8
52	951-12072	Camshaft Assy.	137	951-05048	Gasket Kit - External (Incl.97,115,121-123)
53	951-11374	Crankcase Cover Gasket	138	951-05047	Gasket Kit - Complete (Incl.46,53,59,74,94,97, 115,121-123)
54	736-04545	Washer 16x24x0.5	139	952Z178-LU	Complete Engine
55	951-11283	Oil Fill Plug Assembly			
56	951-11577	O-Ring 15.8x2.5			
58	951-12395	Crankcase Cover			
	951-05049	Crankcase Cover Kit (Incl.43,53,54,58-62)			

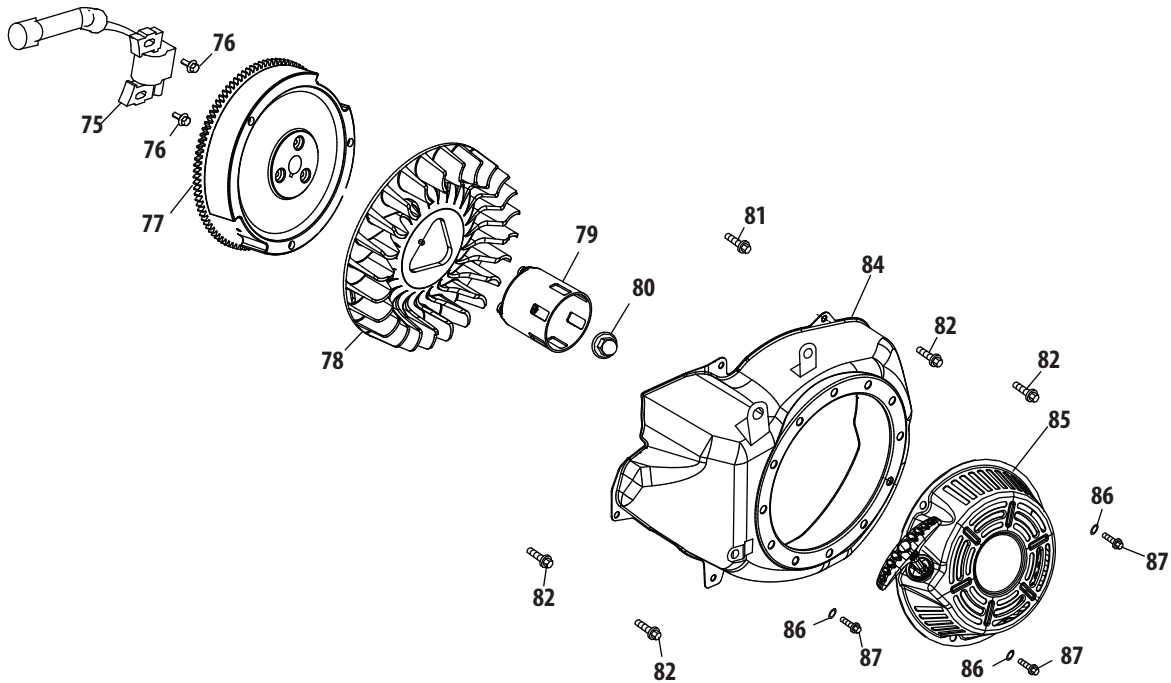
178-LU Fuel Tank & Mounting



Ref.	Part Number	Description
1	951-12535	Fuel Cap Assembly
1	951-14076	Tether
2	951-14265	Fuel Level Indicator
3	710-04970	Bolt M8×20
4	750-05312	Gas Tank Isolator
5	951-14376	Rollover Valve Assembly
6	951-14377	Fuel Hose Clamp
7	951-14380	Primer Hose
8	750-05313	Gas Tank Isolator
9	951-14381	Fuel Tank Assembly
10	951-11184	Governor Cover
11	951-14383	Rear Mounting Bracket Assy.
12	951-14384	Decorate Cover
13	710-04968	Bolt M6×16
14	736-04452	Isolator Bushing
15	951-11200	Fuel Line Kit
16	951-11700	Fuel Hose Clamp

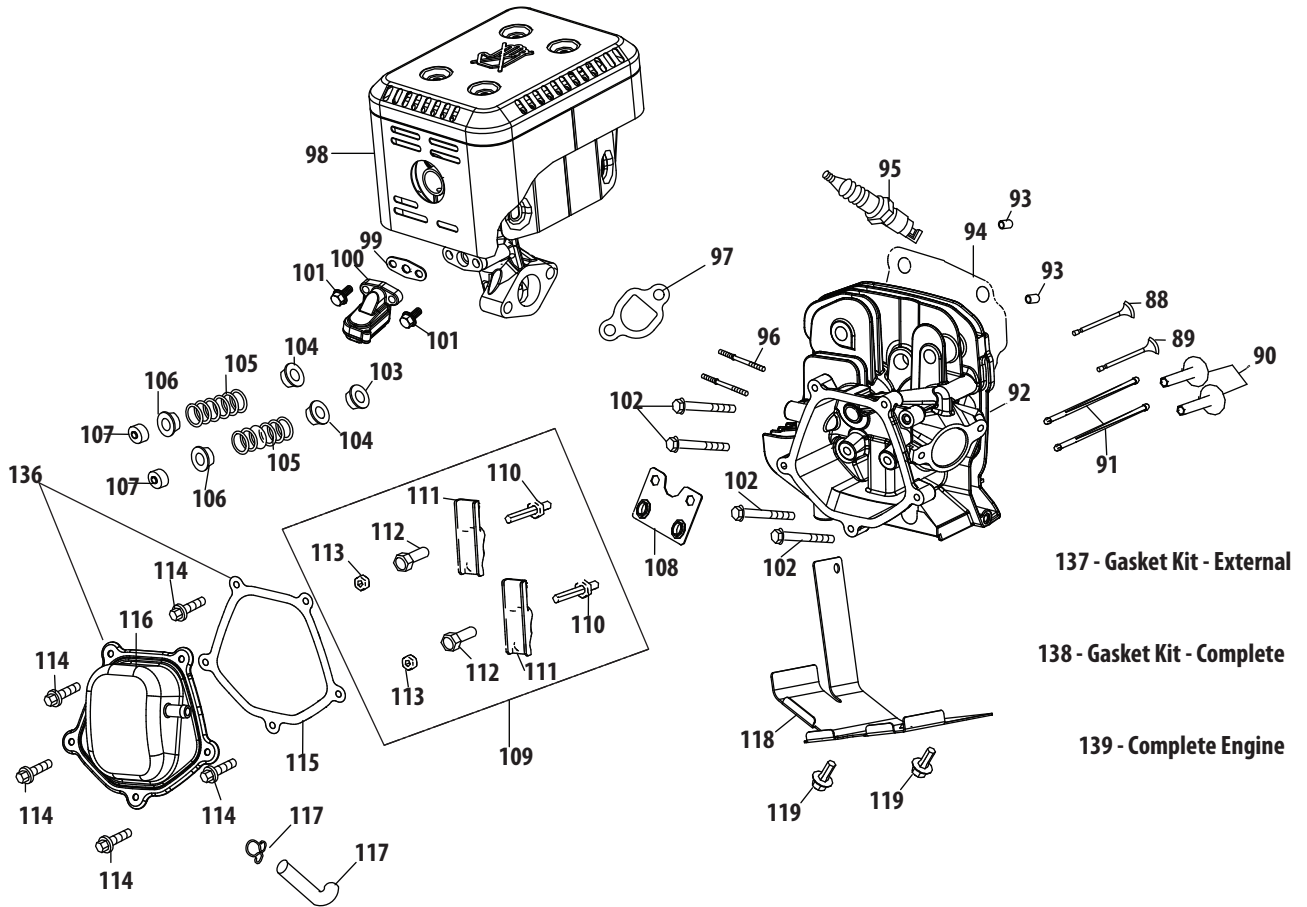
Ref.	Part Number	Description
17	951-14385	Carbon Canister Bracket
18	710-04915	Bolt M6×12
19	951-14386	Carbon Canister
20	951-14387	Breather Hose Clamp
21	951-14388	Primer Hose
22	710-04921	Bolt M8×14
23	951-14389	Gas Tank Support Bracket
24	712-04219	Nut M8
26	712-04212	Nut M6
27	710-04908	Governor Arm Bolt
28	951-14200	Governor Arm
29	951-11202	Governor Spring
30	951-11203	Throttle Linkage Spring
31	951-11204	Throttle Linkage
32	951-12386	Component Bracket
33	710-04916	Bolt, M6×14

178-LU Flywheel & Blower Housing



Ref.	Part Number	Description
75	951-12375	Ignition Coil Assembly
76	710-05350	Ignition Coil Bolt
77	951-12401	Flywheel
78	951-11217	Fan, Cooling
79	951-11218	Pulley, Starter
80	712-04220	Nut, Special, M16x1.5
81	710-04968	Bolt M6x16
82	710-04915	Bolt M6x12
84	951-12402	Starter Housing
85	951-12376	Recoil Starter
86	736-04455	Gasket 6
87	710-04974	Bolt M6x10

178-LU Cylinder Head

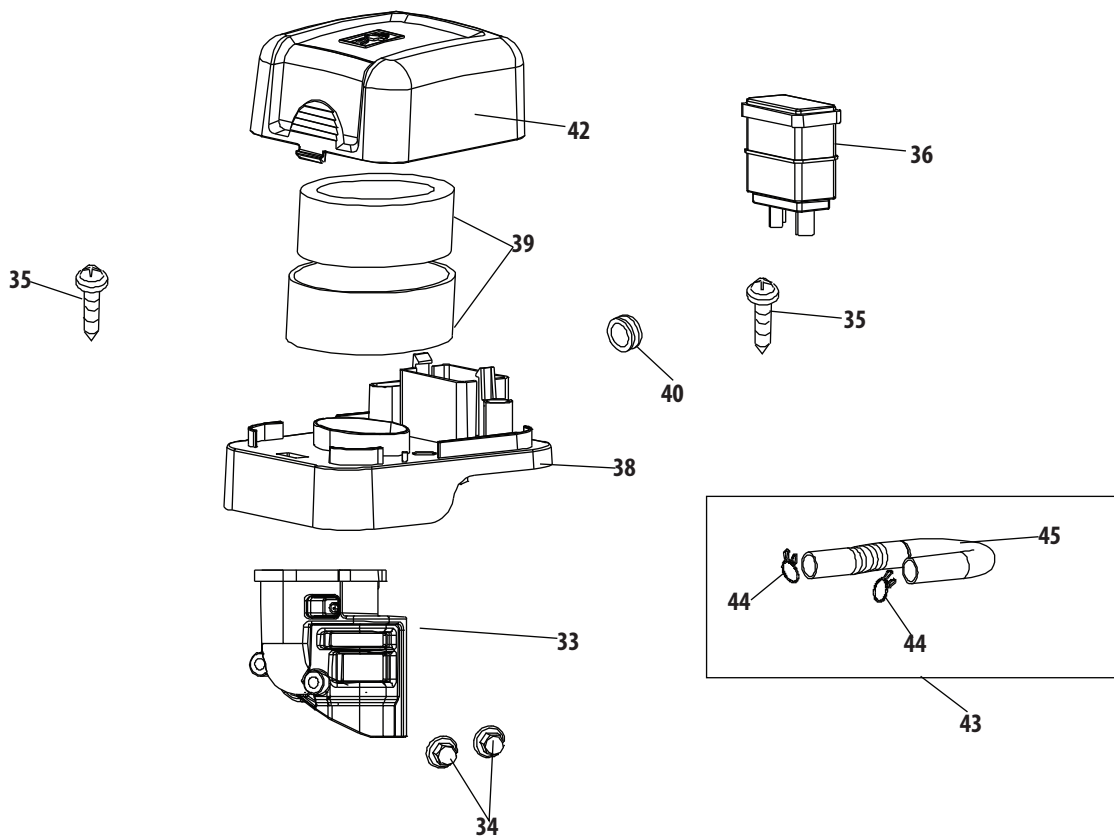


178-LU Cylinder Head

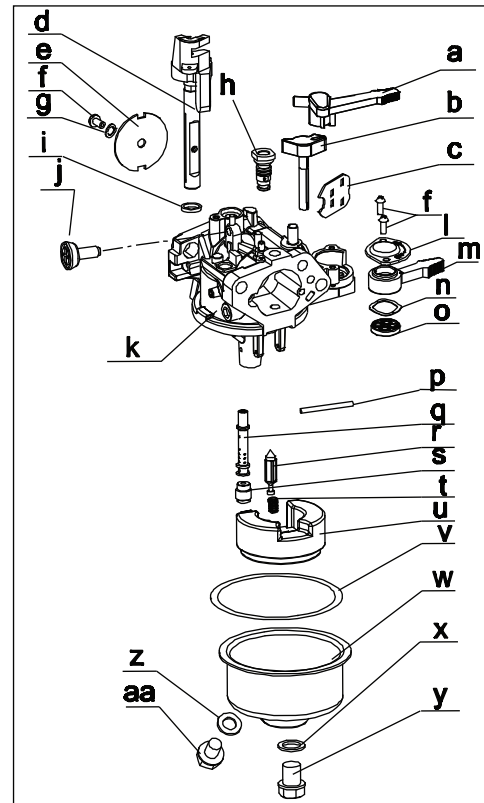
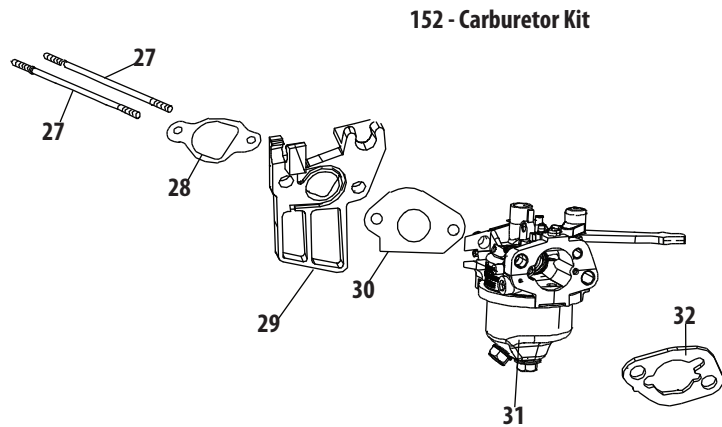
Ref.	Part Number	Description
88	951-11198	Valve Kit
89	951-11198	Valve Kit
90	951-11962	Tappet
91	951-11199	Push Rod Kit
92	951-11226	Cylinder Head Kit (Incl.94,102,103,116)
	951-05046	Cylinder Head Assembly (Incl.88,89,92,94,96,97,102-108, 110-113,115,120-123)
93	715-04097	Dowel Pin 12×20
94	951-12076	Gasket, Cylinder Head
95	951-10292	Spark Plug/F6Rtc
96	710-04964	Stud M8×48.5
96	951-11207	Muffler Stud Assembly
97	951-11212	Exhaust Pipe Gasket
98	951-12404	Muffler Assembly
99	951-12743	Secondary Air Gasket
100	951-05043	Reed Valve Assembly
101	710-06094	Bolt M6×16
102	710-04965	Bolt M10×1.25×80
103	951-11964	Intake Valve Seal
104	951-12077	Valve Spring Retainer
105	951-12078	Valve Spring

Ref.	Part Number	Description
106	951-12080	Retainer, Ex.Valve Spring
107	951-12081	Adjuster, Exh Valve
108	951-11965	Push Rod Guide
109	951-11981	Rocker Arm Assembly
110	710-04962	Bolt, Pivot
111	951-11966	Rocker Arm
112	751-11123	Adjusting Nut ,Valve
113	751-11124	Nut, Pivot Locking
114	710-05054	Valve Cover Bolt
115	951-11967	Valve Cover Gasket
116	951-11220	Valve Cover
117	731-07059	Breather Hose
117	726-04101	Hose Clamp
118	951-12405	Air Shield
119	710-04915	Bolt M6×12
136	951-11333	Valve Cover Kit
137	951-05048	Gasket Kit - External (Incl.97,115,121-123)
138	951-05047	Gasket Kit - Complete (Incl.46,53,59,74,94,97, 115,121-123)
139	952Z178-LU	Complete Engine

Engine Model 170-CU Air Filter



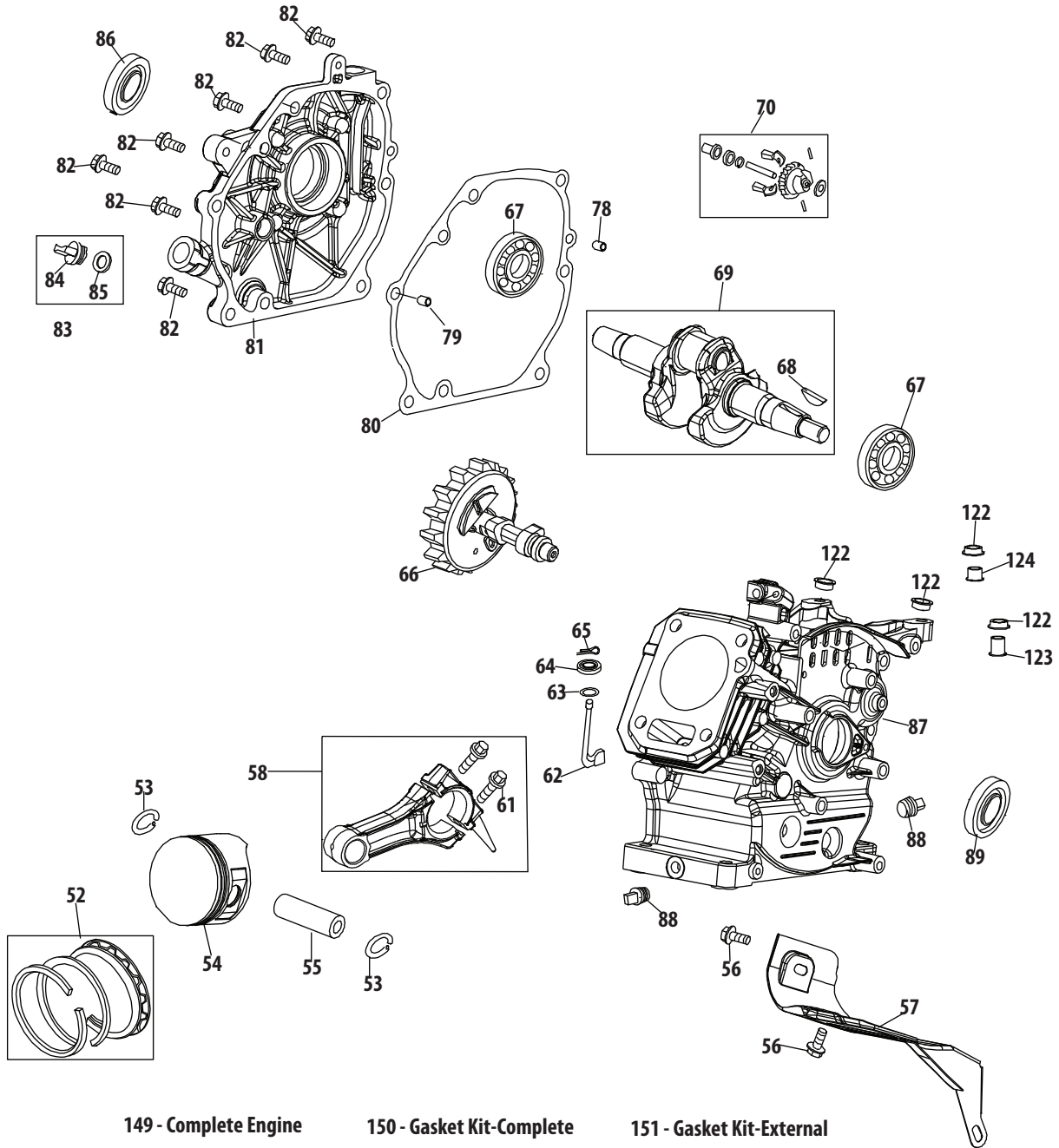
Ref.	Part Number	Description
33	951-14315	Air Cleaner Housing
34	712-04213	Nut
35	951-14068	Self-Tapping Bolt 4.2x16
36	951-14069	Carbon Canister
38	951-14070	Silencer Plate
39	951-14262	Air Filter Assembly
40	750-05314	Damper Gasket
42	951-12136	Air Cleaner Cover
43	751-14072	Primer Hose
44	951-14073	Clamp
45	951-14074	Exhaust Piping



Ref.	Part Number	Description
27	710-05101	Stud M6×110
28	951-11567	Carburetor Insulator Gasket
29	951-11568	Carburetor Insulator
30	951-11569A	Carburetor Gasket
31	951-05106	Carburetor Assembly
32	951-11571	Carburetor Gasket Plate
152	951-05107	Carburetor Kit (Incl.h,p,q,r,s,t,u,v,x,z)
a	n/a	Control Lever,Choke
b	n/a	Choke Shaft
c	n/a	Choke Plate
d	n/a	Throttle Shaft
e	n/a	Throttle Plate
f	710-05469	Screw M3×6
g	736-04638	Lock Washer
h	793-00118	Idle Jet Assembly
i	n/a	Gasket, Throttle Plate
j	n/a	Idle Speed Adjusting Screw

Ref.	Part Number	Description
k	n/a	Carburetor Body
l	n/a	Fuel Shutoff Cover
m	n/a	Fuel Shutoff Lever
n	n/a	Fuel Shutoff Washer
o	n/a	Fuel Shutoff Valve
p	n/a	Float Pin
q	n/a	Emulsion Tube
r	n/a	Needle Valve
s	n/a	Main Jet
t	n/a	Needle Valve Spring
u	n/a	Float
v	951-11589	Fuel Bowl Gasket
w	n/a	Fuel Bowl
x	951-11348	Fuel Bowl Gasket
y	710-04945	Fuel Bowl Mounting Bolt
z	951-11349	Fuel Drain Plug Gasket
aa	710-04938	Fuel Drain Plug

170-CU Crankcase



149 - Complete Engine

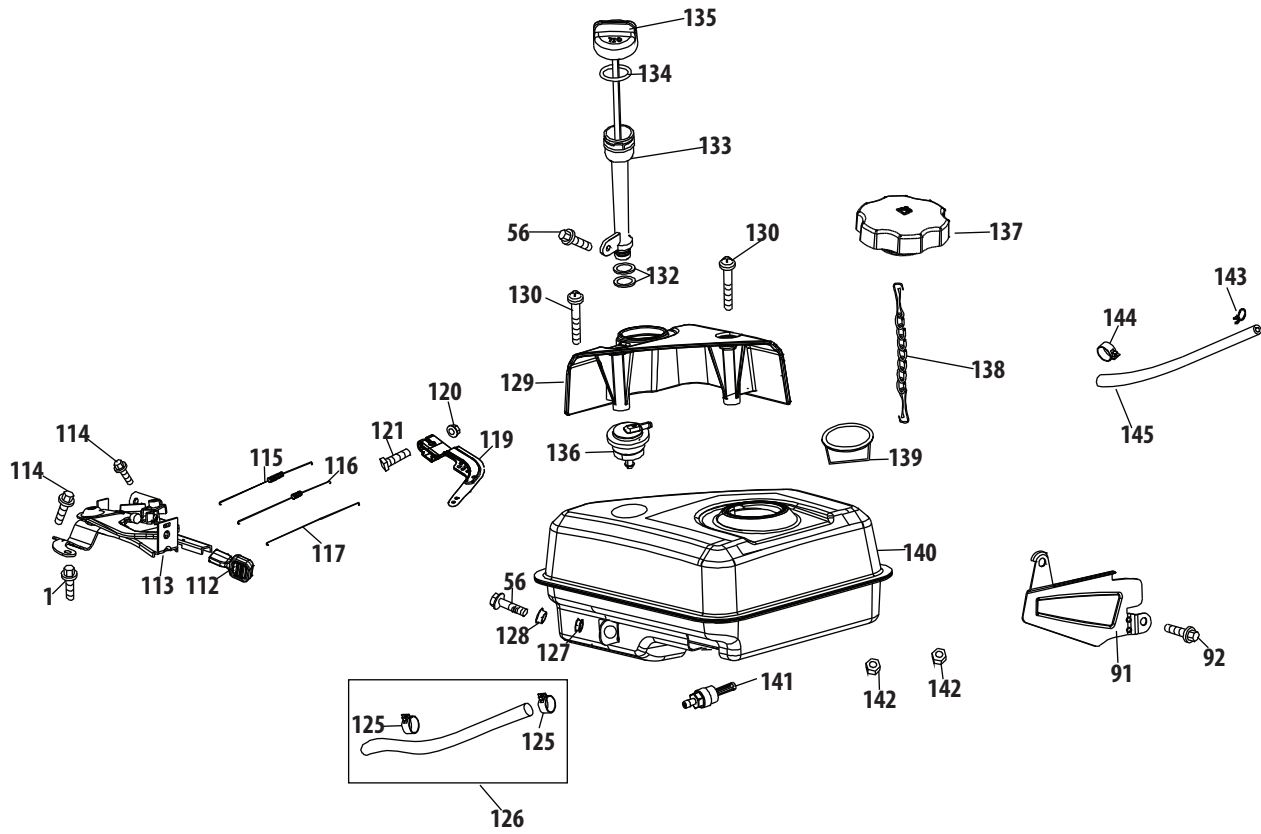
150 - Gasket Kit-Complete

151 - Gasket Kit-External

Ref.	Part Number	Description
52	951-14317	Piston Ring Set
53	951-11632	Piston Pin Snap Ring
54	951-14318	Piston
55	951-11633	Piston Pin
56	710-04915	Bolt M6x12
57	951-11113	Air Shield
58	951-11573	Connecting Rod Assembly
61	710-05116	Connecting Rod Bolt
62	951-14053	Governor Arm
63	736-04461	Washer 5.2x1.9
64	951-11902	Governor Seal
65	714-04078	Cotter Pin
66	951-11575A	Camshaft Assembly
67	951-11369	Radial Ball Bearing, 6205
68	951-10307	Woodruff Key
69	951-12133	Crankshaft Assembly
69	951-05120	Crankshaft Kit (Incl.67-69,86,89)
70	917-05007	Governor Gear/Shaft Assembly
78	715-04092	Dowel Pin 7x14
79	715-04096	Dowel Pin 9x14
80	951-11371	Crankcase Cover Gasket
81	951-12125	Crankcase Cover

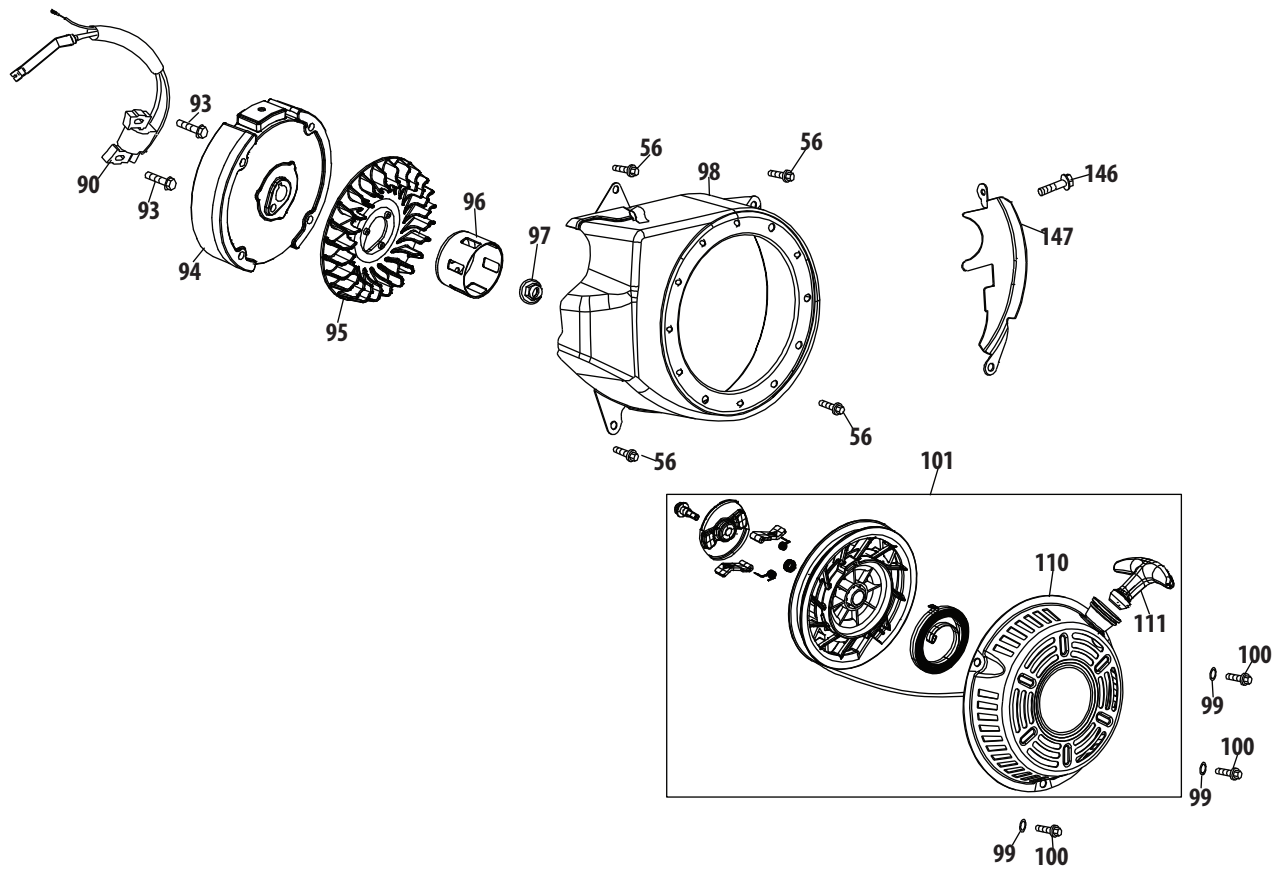
Ref.	Part Number	Description
81	951-14142	Crankcase Cover Kit (Incl.67,80,81,82,85,86,88)
82	710-04932	Bolt M8x32
83	951-11283	Oil Fill Plug Assembly
84	951-12514A	Oil Plug
85	951-11577	O-Ring 15.8x2.5
86	951-11578	Oil Seal, 25x41.25x6
87	951-05121	Crankcase Kit (Incl.64,67,83,,86,87,89)
87	951-12122A	Short Block Assembly (Incl.5,25,28-30,46,48,49, 52-55,58-82,85-89)
88	951-12394	Oil Drain Plug
89	951-12126	Oil Seal 25x41.25x6
122	735-04266	Damping Rubber Pad
123	735-04265	Bush
124	735-04267	Bush
149	952Z170-CU	Complete Engine
150	951-05032	Gasket Kit-Complete (Incl.5,25,28-30,32,46, 63,64,80,86,89)
151	951-12026A	Gasket Kit-External (Incl.5,25,28,30,32)

170-CU Fuel Tank



Ref.	Part Number	Description
1	710-04968	Bolt M6×16
56	710-04915	Bolt M6×12
57	951-11113	Air Shield
91	951-11110	Air Flow Shield
92	710-04940	Bolt M6×10
112	951-11067	Throttle Control Knob
113	951-12131	Primer Bracket
114	710-05103	Bolt M6×12
115	951-11585	Governor Spring
116	951-10664	Throttle Linkage Spring
117	951-10665	Throttle Linkage
119	951-11106	Governor Arm
120	712-04212	Nut M6
121	710-04908	Governor Arm Bolt
125	951-11700	Fuel Hose Clamp
126	951-10650	Kit-Fuel Line
127	750-05314	Rubber Shock Pad

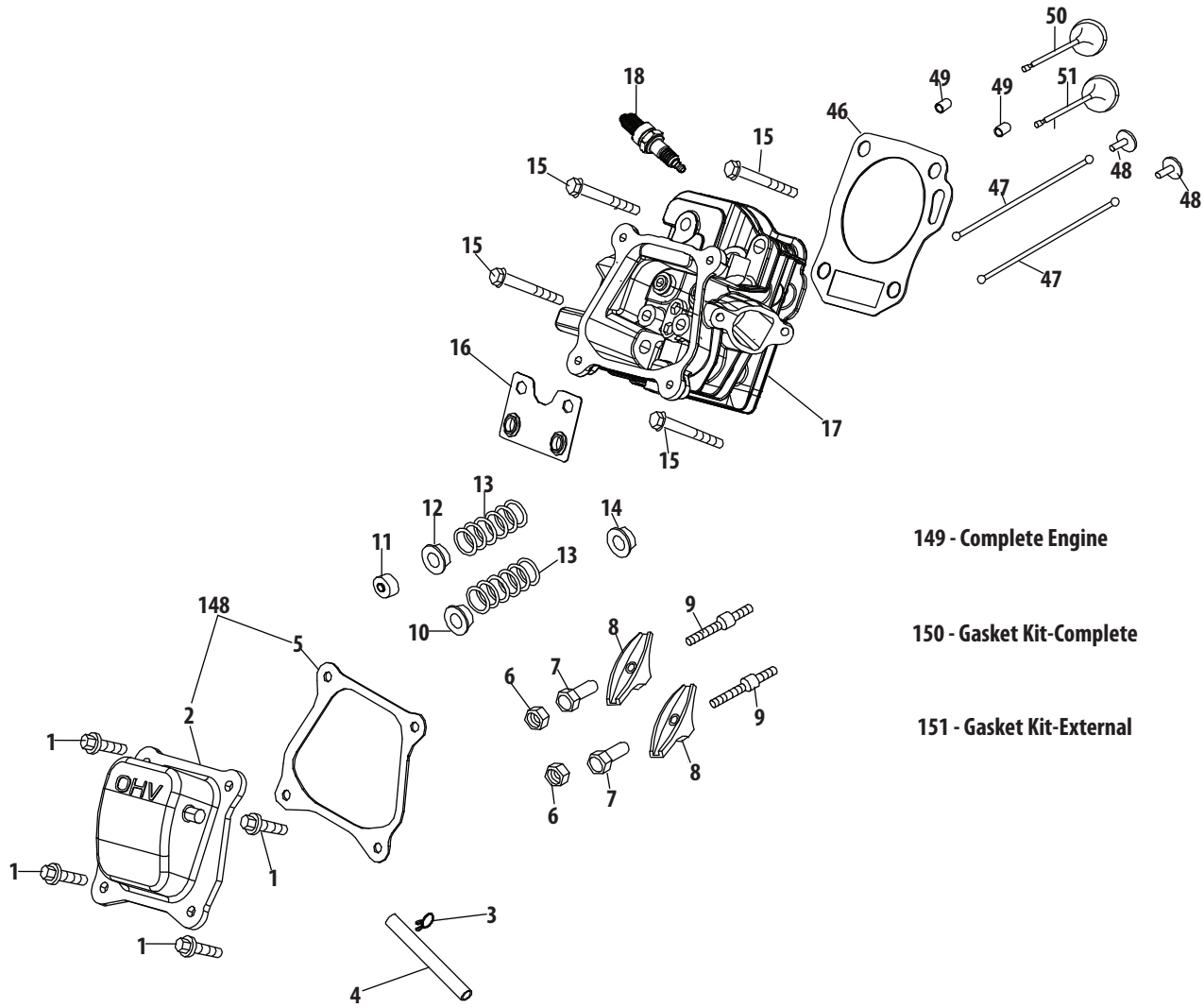
Ref.	Part Number	Description
128	735-04268	Bush
129	951-11914	Dipstick Decoration Cover
130	710-04905	Bolt
132	951-11381	Oil Fill Tube O-Ring
133	951-11913	Oil Fill Tube Assey (Incl.132,133)
134	921-04663	Oil Fill Tube O-Ring
135	951-12482	Dipstick Assy - (Incl.134,135)
136	951-14075	Roll Over Valve
137	951-12535	Cap Comp,Fuel Feller
138	951-14076	Fuel Cap Chain
139	951-11933	Fuel Filter
140	951-14332	Fuel Tank
141	951-10651	Fuel Tank Nipple
142	712-05015	Nut M6
143	723-04093	Exhaust Piping
144	932-05143	Hose Clamp
145	951-14541	Primer Hose Assembly



Ref.	Part Number	Description
56	710-04915	Bolt 6x12
90	951-10792	Ignition Coil Assembly
93	710-04919	Bolt M6x25
94	951-14320	Flywheel
95	951-10934	Cooling Fan
96	951-10911	Starter Cup
97	712-04209	Flywheel Nut, M14 X 1.5
98	951-11583	Blower Housing

Ref.	Part Number	Description
99	736-04455	Gasket Ø6
100	710-04974	Bolt M6x10
101	951-12418	Recoil Starter Assembly
110	951-10663A	Blower Housing
111	931-09780	Starter Handle
146	710-04918	Bolt M6x20
147	951-14138	Blower Housing Shield

170-CU Cylinder Head



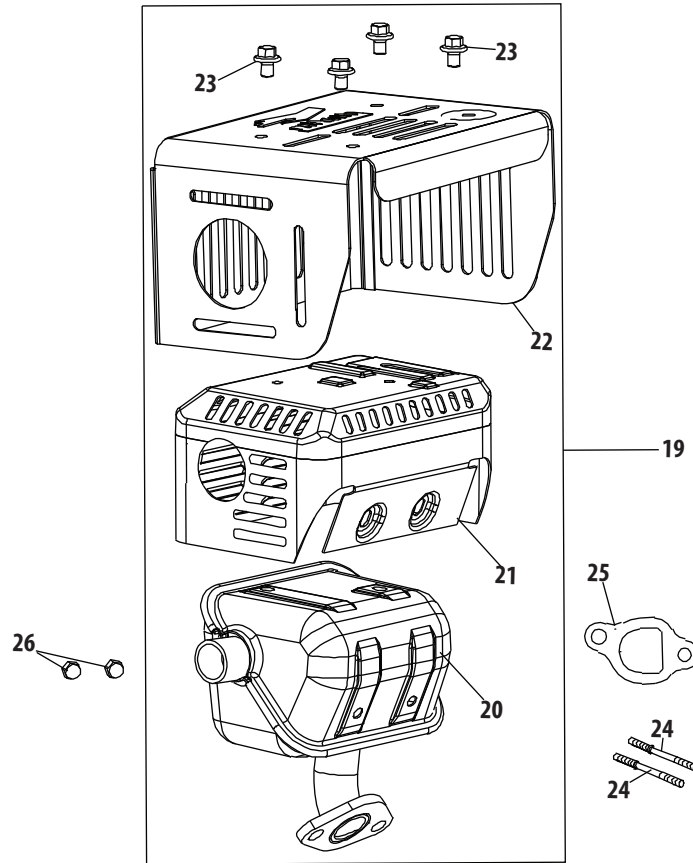
149 - Complete Engine

150 - Gasket Kit-Complete

151 - Gasket Kit-External

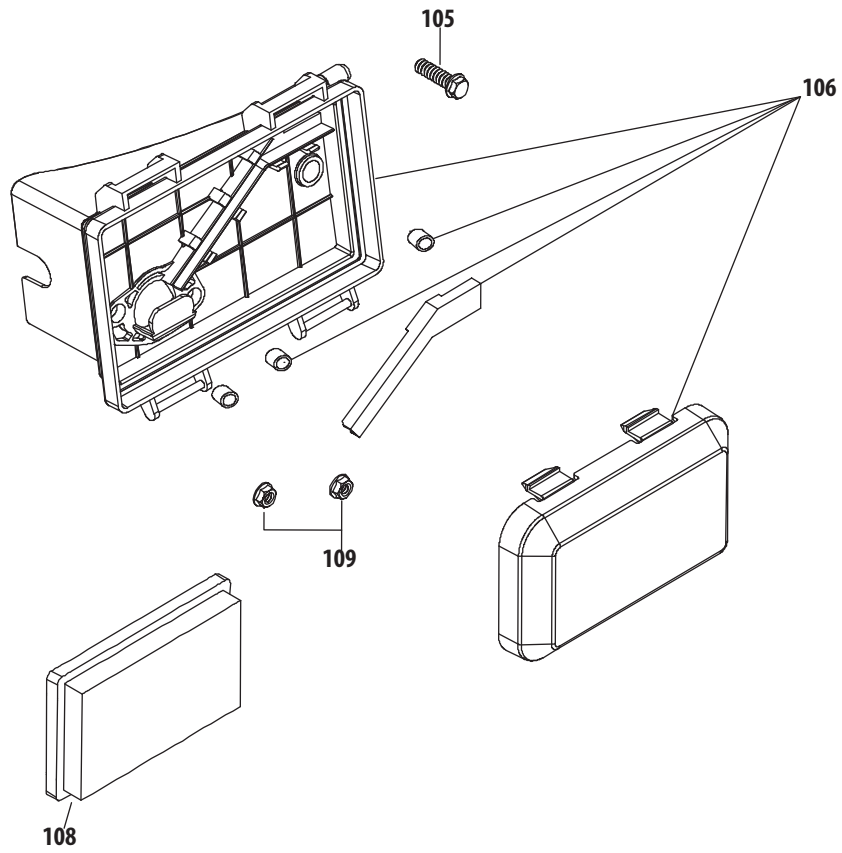
Ref.	Part Number	Description
1	710-04968	Bolt M6×16
2	951-11054B	Valve Cover
3	726-04101	Clamp, Fuel Hose
4	931-09541	Venting Hose
5	951-11565	Valve Cover Gasket
6	751-11124	Nut, Pivot Locking
7	751-11123	Adjusting Nut ,Valve
8	951-11893	Rocker Arm
9	710-04902	Bolt, Pivot
10	951-12000	Valve Spring Retainer (Intake)
11	951-12002	Exhaust Lash Cap
12	951-12003	Valve Spring Retainer (Exhaust)
13	951-12004	Valve Spring
14	951-11894	Valve Seal (Intake)
15	710-06080	Bolt M8×55
16	951-11895	Push Rod Guide
17	951-05029	Cylinder Head Assembly (Incl.5-14,16,17,25,28-30,46,50,51)
18	951-10292	Spark Plug/F6Rtc
46	951-14316	Gasket, Cylinder Head
47	951-10648	Kit-Push Rod
48	951-11899	Tappet
49	715-04108	Dowel Pin 10×16
50	951-10647A	Valve Kit
51	951-10647A	Valve Kit
148	951-05033	Valve Cover Kit
149	952Z170-CU	Complete Engine
150	951-05032	Gasket Kit-Complete (Incl.5,25,28-30,32,46, 63,64,80,86,89)
151	951-12026A	Gasket Kit-External (Incl.5,25,28,30,32)

170-CU Muffler

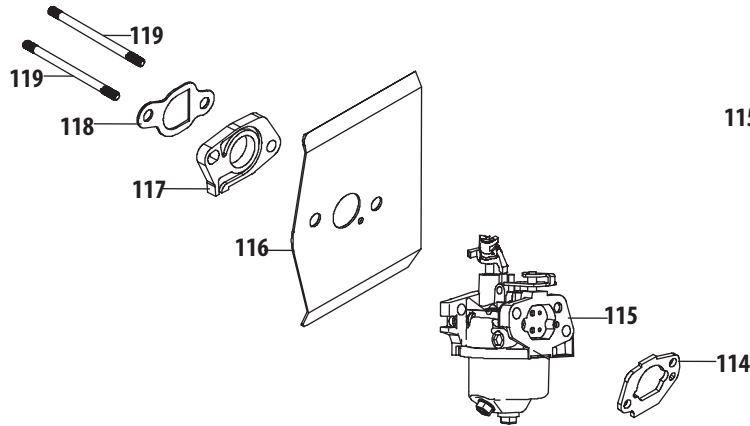


Ref.	Part Number	Description
19	951-12123	Muffler Assembly
20	951-14271	Muffler Body
21	951-14268	Muffler Shield
22	908-05060	Muffler Guard
23	710-06073	Bolt M5×8
24	710-04911	Stud M8×34
24	951-10657	Muffler Stud Assy
25	951-11289	Exhaust Pipe Gasket
26	712-04214	Nut, M8

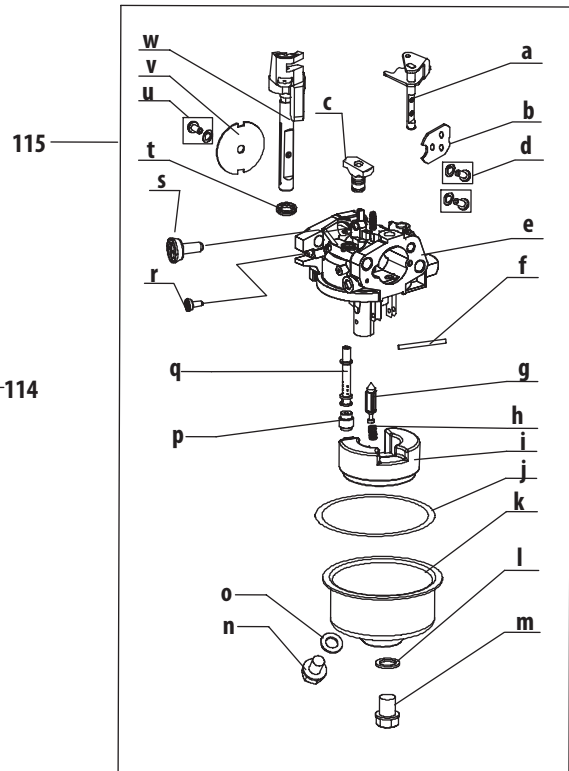
Engine Model 1X65CU Air Cleaner



Ref.	Part Number	Description
105	710-04969	Bolt M6X30 Af Base/Coil/E-Starter
106	951-14439	Air Cleaner Housing Ass'Y
108	951-10298	Air Filter
109	712-05015	Nut M6X10Mm Starter/Carb/Muff



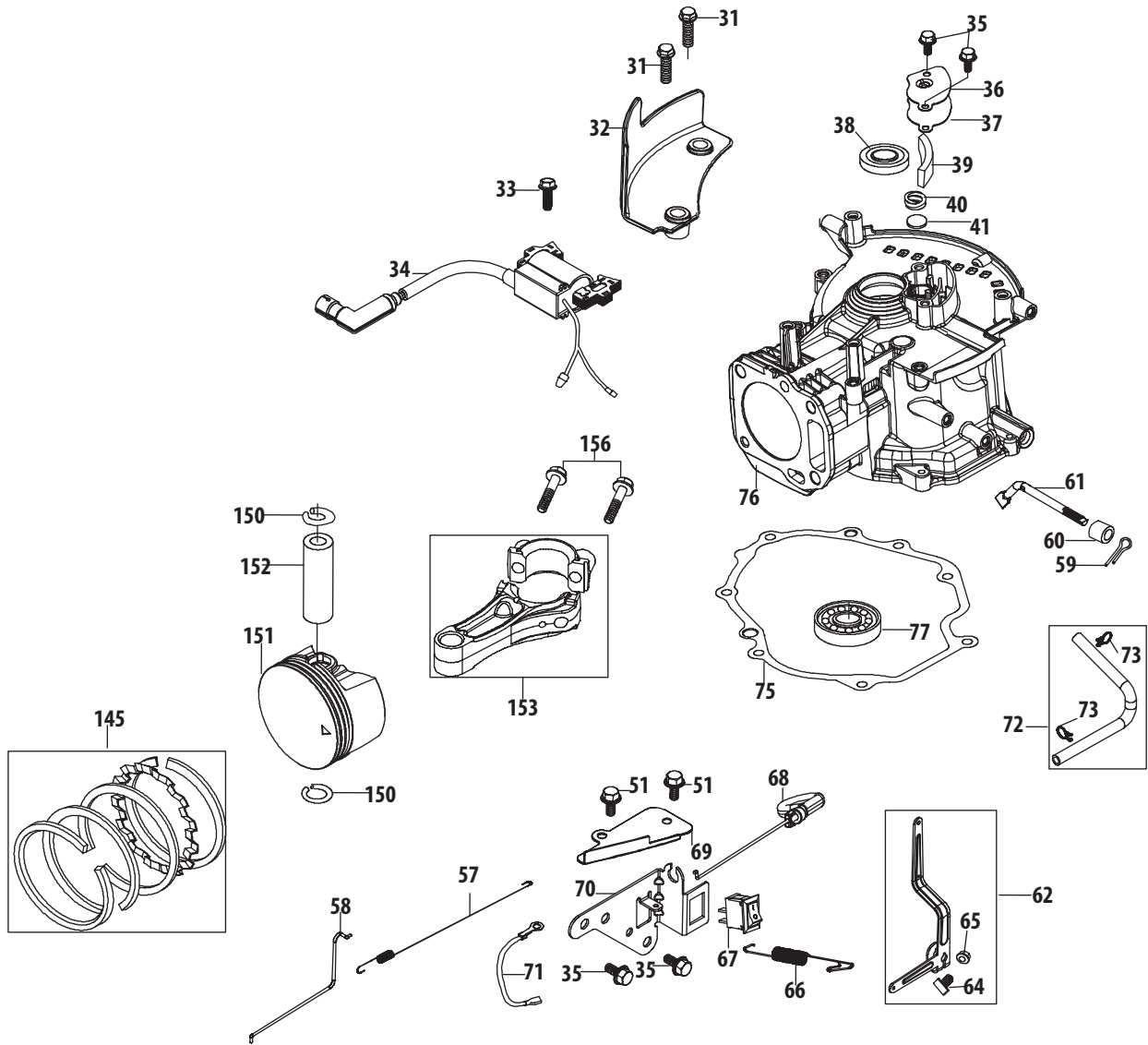
163 - Carburetor Kit



Ref.	Part Number	Description
114	951-14419	Air Filter Base Gasket
115	951-14608	Carburetor Assembly
116	951-14424	Carburetor Gasket
117	951-11738	Carburetor Insulator
118	951-11528	Carburetor Insulator Gasket
119	951-14425	Carb Stud M6×87
163	951-14616	Carburetor Kit (Incl.d,g,h,l,j,m,p,q,r,s,u)
a	n/a	Choke Shaft
b	n/a	Choke Plate
c	n/a	Idle Jet
d	n/a	Bolt M3×5
e	n/a	Carburetor Body
f	n/a	Float Pin
g	n/a	Needle Valve
h	n/a	Needle Valve Spring

Ref.	Part Number	Description
i	n/a	Float
j	n/a	O-Ring, Float Bowl
k	n/a	Float Bowl
l	n/a	Gasket, Drain Bolt
m	n/a	Drain Bolt
n	n/a	Bolt, Float Bowl
o	n/a	O-Ring, Float Bowl
p	n/a	Idle Jet
q	n/a	Nozzle Tube
r	n/a	Mixture Screw
s	n/a	Idle Speed Adjusting Screw
t	n/a	Gasket
u	n/a	Bolt M3×6
v	n/a	Throttle Plate
w	n/a	Throttle Plate

1X65CU Crankcase



160 - Complete Engine

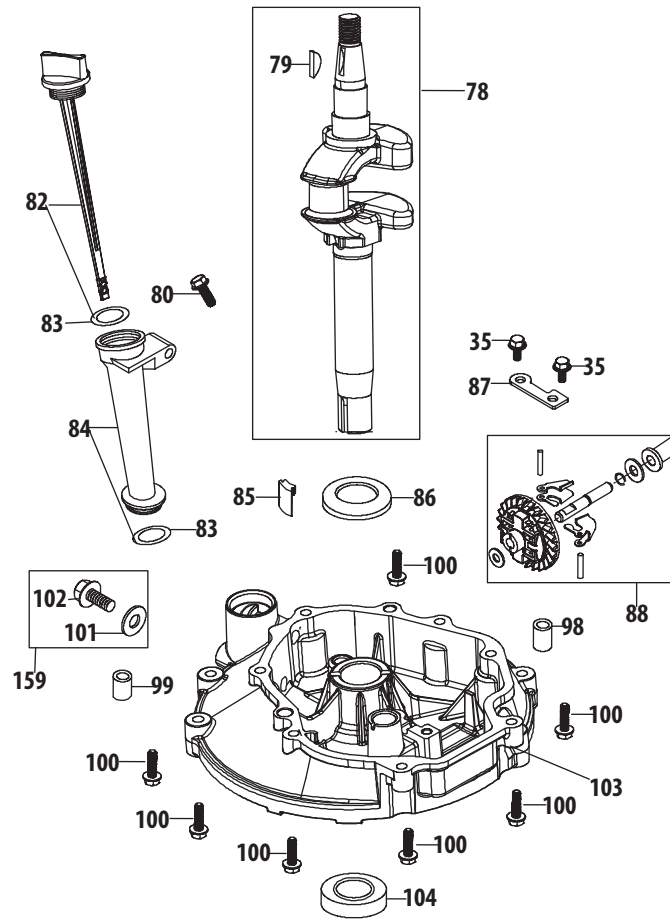
161 - Gasket Kit - Complete

162 - Gasket Kit - External

1X65CU Crankcase

Ref.	Part Number	Description	Ref.	Part Number	Description
31	710-04919	Bolt M6x25 Cover Plate	70	951-14413	Component Bracket
32	951-14597	Engine Brake Cover Plate	71	951-14606	Ignition Switch Ground Wire
33	710-04918	Bolt M6x20 Ignition Coil	72	951-11520	Breather Hose Assembly
34	951-14598	Ignition Coil Assembly	73	726-04101	Breather Hose Clamp
35	710-04916	Bolt M6X14 Multi-Purpose	75	951-14415	Crankcase Cover Gasket
36	951-14404	Breather Cover Plate	76	951-14617	Short Block
37	951-14405	Breather Gasket			(Incl.35-41,59-61,75-79,83,85-88,
38	951-11596	Upper Crankshaft Seal			98,99,101-104,114,117,118,134,
39	951-11730	Breather Screen			137,140,141,143-145,
40	732-04718	Breather Valve Spring			150-153,156)
41	951-11614	Breather Valve	77	951-11369	Main Bearing
51	710-04915	Bolt M6X12 Multi-Purpose	145	951-14433	Piston Ring Set
57	951-14409	Throttle Linkage Spring	150	951-11603	Piston Pin Snap Ring
58	951-14410	Throttle Linkage	151	951-14434	Piston
59	714-04074	Governor Arm Shaft Cotter Pin	152	951-14435	Piston Pin
60	951-11574	Governor Seal	153	951-14436	Connecting Rod Assembly
61	951-14416	Governor Arm Shaft	156	710-05115	Connecting Rod Bolt
62	951-14412	Governor Arm Assembly	160	952Z1X65CU	Complete Engine
64	710-04908	Governor Arm Bolt	161	951-14614	Gasket Kit - Complete
65	712-05015	Governor Arm Nut M6			(Incl.37,38,60,75,83,101,104,114,
66	951-14411	Governor Spring			116,117,118,134,137,140)
67	951-14603	Ignition Switch	162	951-14615	Gasket Kit -External
68	951-14604	Choke Control			(Incl.37,83,101,114,116,117,
69	951-14605	Air Vane Cover Plate			118,134,137)

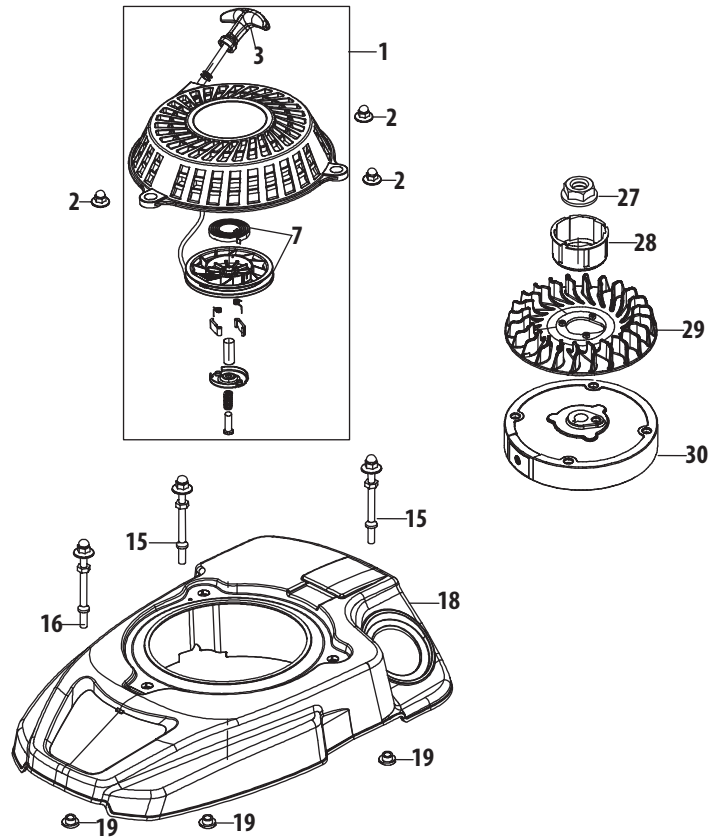
1X65CU Crankshaft



Ref.	Part Number	Description
35	710-04916	Bolt M6X14 Multi-Purpose
78	951-14607	Crankshaft Assembly
79	951-10307	Flywheel Key
80	710-04980	Bolt M6X35 Af Base/Brake/Dipstick
82	951-14612	Oil Dipstick Assembly
83	951-11547	Dipstick / Oil Fill Tube O-Ring
84	951-14613	Oil Fill Tube Assembly
85	951-11733	Oil Return Seal
86	736-04491	Crankshaft Thrust Washer
87	951-11609	Governor Gear Mounting Plate

Ref.	Part Number	Description
88	951-11549	Governor Gear/Shaft Assembly
98	715-04096	Crankcase Cover Dowel Pin 7x14
99	715-04089	Crankcase Cover Dowel Pin 9x14
100	710-04931	Bolt M6X28 X65/P65 Crankcase
101	736-04454	Oil Drain Plug Washer
102	951-11499	Oil Drain Plug
103	951-14418	Crankcase Cover
104	951-11545	Lower Crankshaft Seal
159	951-10370	Oil Drain Plug & Washer Ass'Y

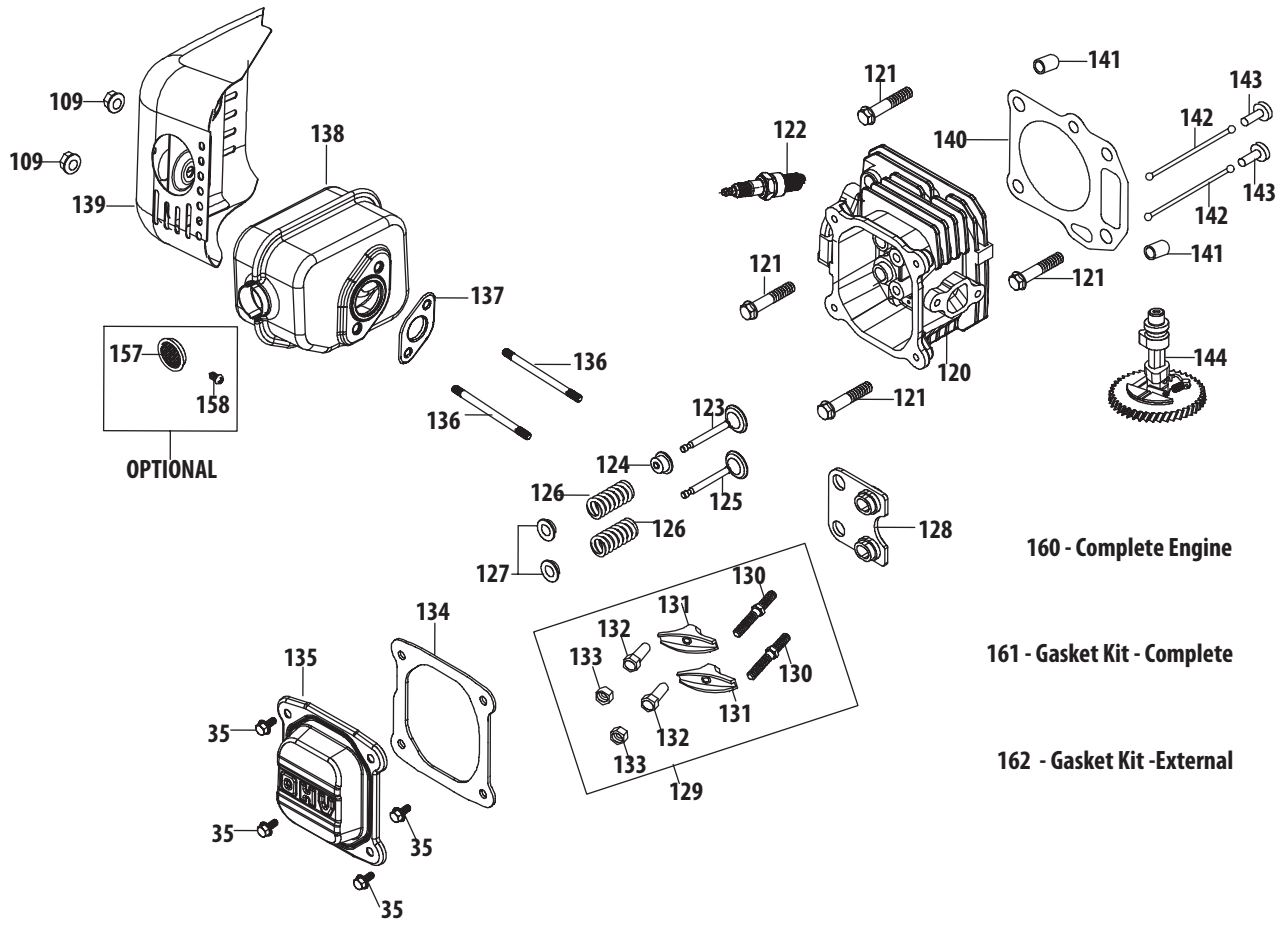
1X65CU Flywheel & Shroud



Ref.	Part Number	Description
1	951-14396	Recoil Starter Assembly
2	712-04290	Starter Acorn Nut
3	731-07925	Starter Handle
7	951-11721	Recoil Pulley & Spring Ass'Y
15	951-14397	Starter/Shroud Rear Stud M6x78.5
16	951-14398	Starter/Shroud Front Stud M6x74

Ref.	Part Number	Description
18	951-14399	Engine Shroud
19	750-05320	Engine Shroud Spacer
27	712-04287	Flywheel Nut M14
28	951-12161	Starter Cup
29	951-10934	Cooling Fan
30	951-14596	Flywheel

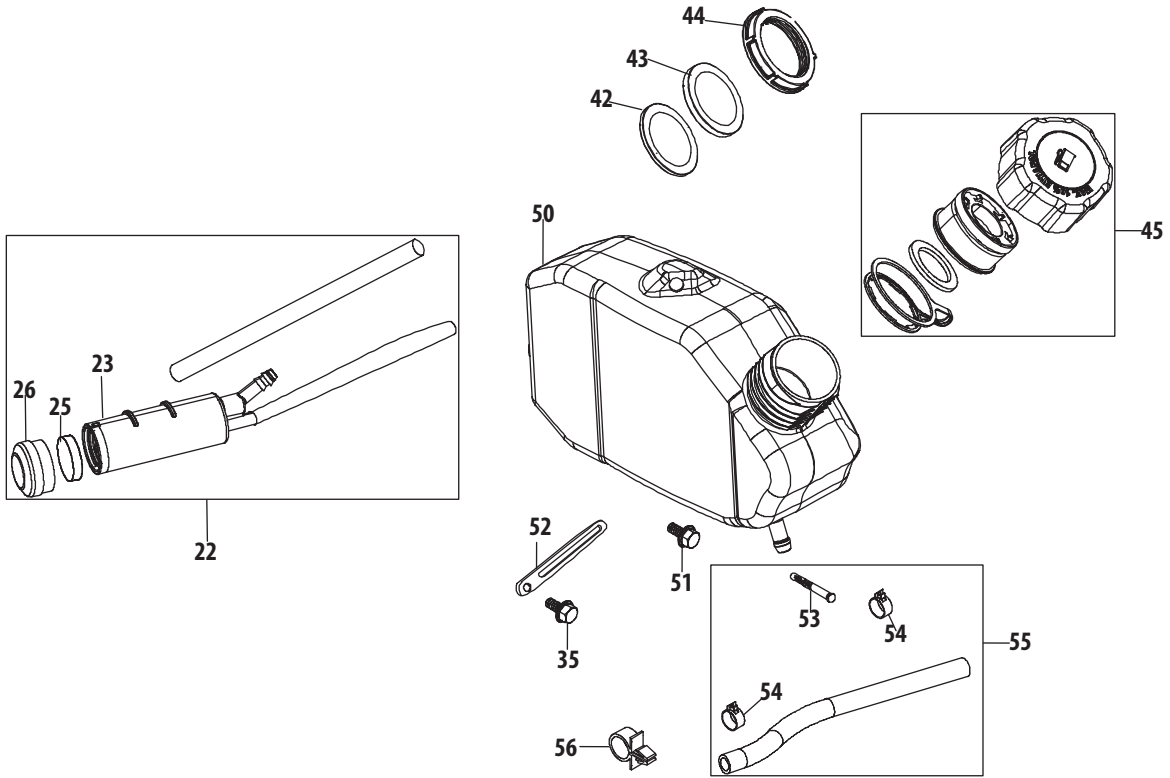
1X65CU Cylinder Head



1X65CU Cylinder Head

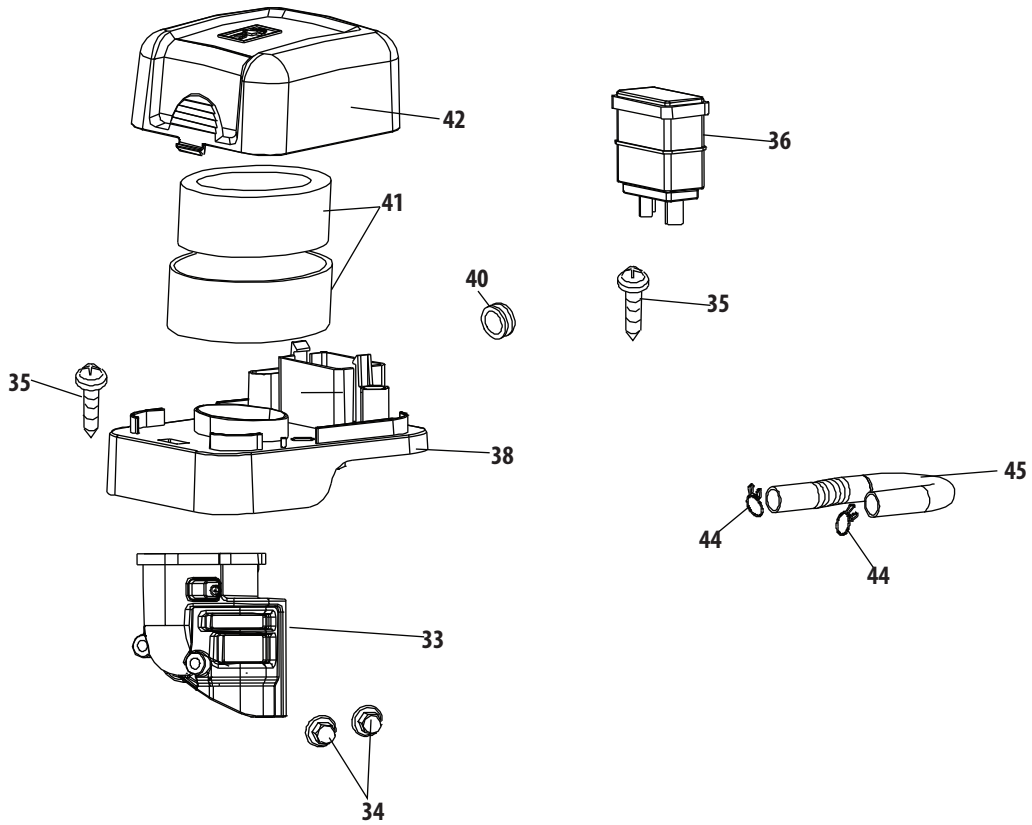
Ref.	Part Number	Description	Ref.	Part Number	Description
35	710-04916	Bolt M6X14 Multi-Purpose	135	951-14609	Valve Cover
109	712-05015	Nut M6X10Mm Starter/Carb/Muff	136	951-10342	Muffler Stud Assy
120	951-14448	Cylinder Head Asm (Incl.117,118,120,123-134,137,140)	137	951-14427	Muffler Gasket
	951-14445	Cylinder Head Service Kit (Incl.121,124,134,140)	138	951-10403	Muffler Assembly
121	710-04982	Bolt M8X54 Cylinder Head	139	951-14430	Muffler Shield
122	951-14437	Spark Plug/F5Rtc	140	951-14431	Cylinder Head Gasket
123	951-10313	Valve Kit	141	715-04108	Cylinder Head Dowel Pin 10x16
124	951-11818	Intake Valve Seal	142	951-10314	Push Rod Kit
125	951-10313	Valve Kit	143	951-14432	Tappet
126	951-12004	Valve Spring	144	951-11741	Camshaft Assembly
127	951-11977	Valve Spring Retainer	157	951-10351	Spark Arrestor
128	951-11687	Push Rod Guide	158	710-04983	Spark Arrestor Screw
129	951-11606	Rocker Arm Assembly	160	952Z1X65CU	Complete Engine
130	710-04902	Rocker Arm Stud	161	951-14614	Gasket Kit - Complete (Incl.37,38,60,75,83,101,104,114, 116,117,118,134,137,140)
131	951-12001	Rocker Arm	162	951-14615	Gasket Kit -External (Incl.37,83,101,114,116,117, 118,134,137)
132	751-11123	Fulcrum Nut			
133	751-11124	Jam Nut			
134	951-11551	Valve Cover Gasket			

1X65CU Fuel Tank

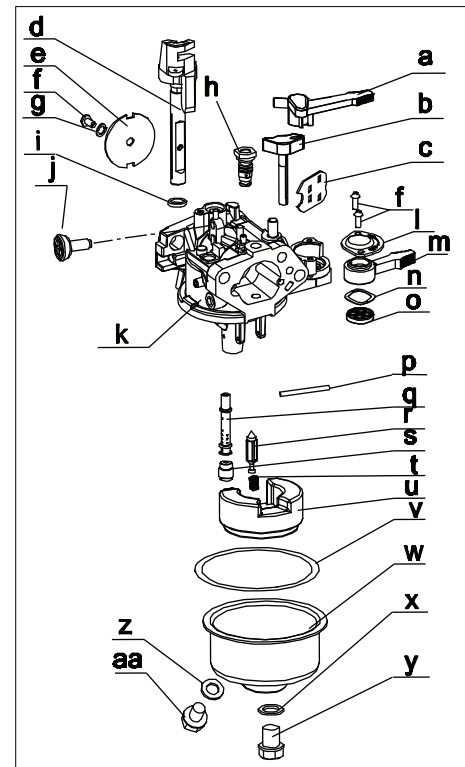
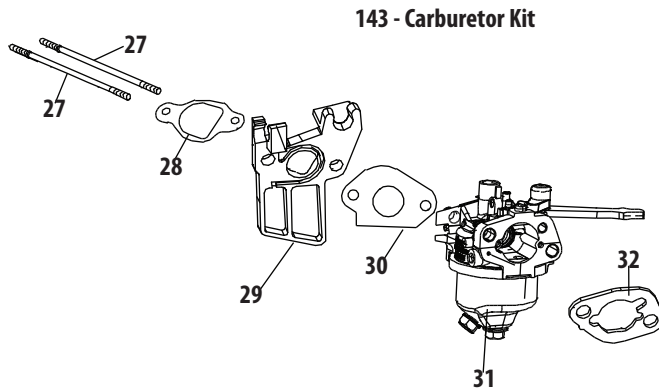


Ref.	Part Number	Description
22	951-14442	Carbon Canister Assembly
23	951-14126	Carbon Canister
25	951-14400	Carbon Canister Filter
26	951-14127	Carbon Canister Filter Cap
35	710-04916	Bolt M6X14 Multi-Purpose
42	731-08133	Fuel Tank Lower Grommet
43	951-14406	Fuel Tank Upper Grommet
44	731-08104	Fuel Tank Nut
45	951-14407	Fuel Cap Assembly
50	931-04629	Fuel Tank
51	710-04915	Bolt M6X12 Multi-Purpose
52	951-11680	Flexible Clamp, Vent Hose
53	751-10358A	Fuel Line Kit
54	951-11700	Fuel Hose Clamp
55	951-14438	Fuel Hose
56	723-04071	Plastic Support Clamp

Engine Model 170-DU Air Cleaner



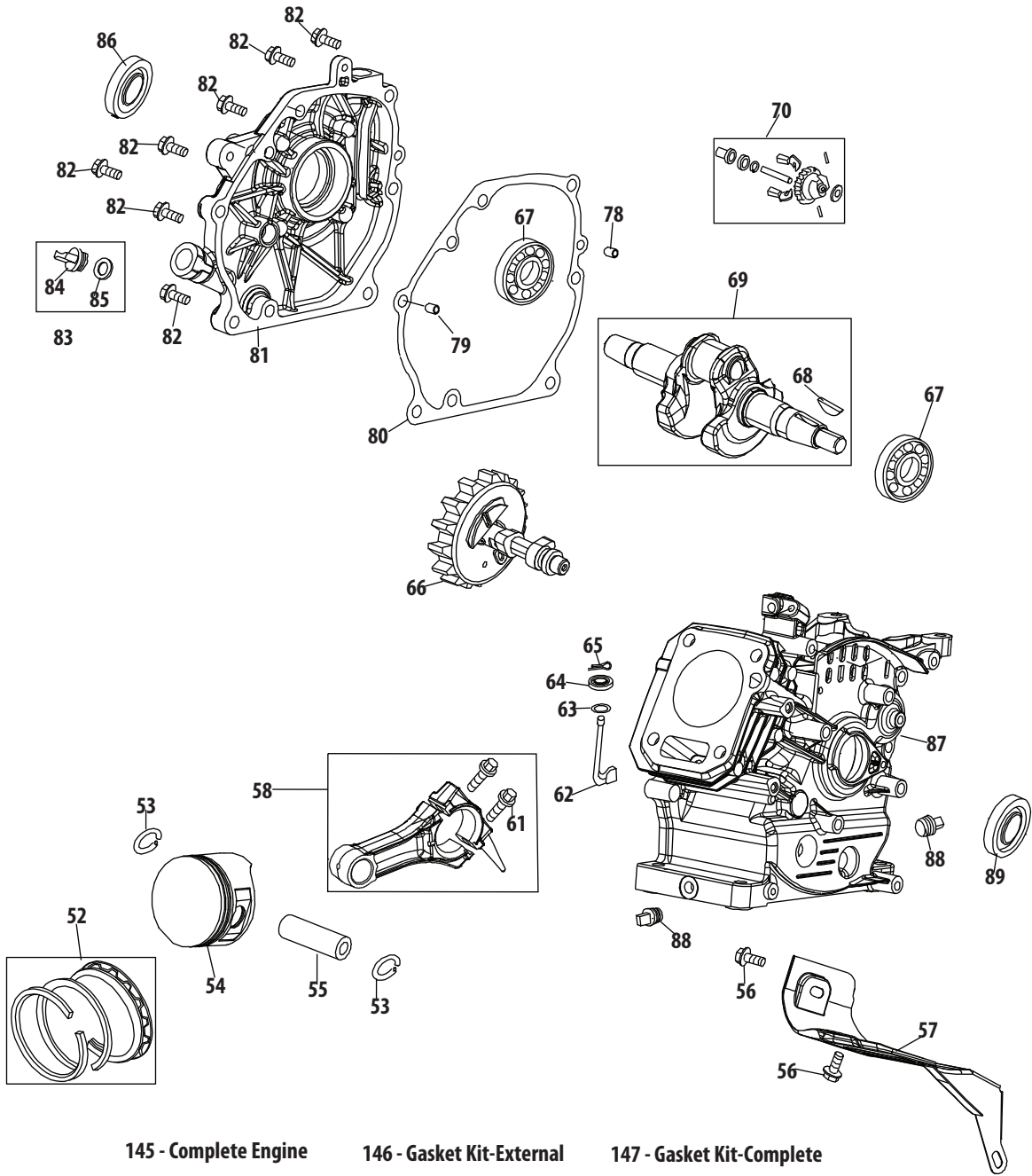
Ref.	Part Number	Description
33	951-14315	Air Cleaner Housing
34	712-04213	Nut
35	951-14068	Self-Tapping Bolt 4.2x16
36	951-14069	Carbon Canister
38	951-14070	Silencer Plate
40	750-05314	Damper Gasket
41	951-14262	Air Filter Element
42	951-12136	Air Cleaner Cover
44	951-14073	Clamp
45	951-14074	Exhaust Piping



Ref.	Part Number	Description
27	710-05101	Stud M6x110
28	951-11567	Carburetor Insulator Gasket
29	951-11568	Carburetor Insulator
30	951-11569A	Carburetor Gasket
31	651-05106	Carburetor Assembly
32	951-11571	Carburetor Gasket Plate
143	651-05107	Carburetor Kit Dn-170 (Incl.h,p,q,r,s,t,u,v,x,z)
a	n/a	Control Lever,Choke
b	n/a	Choke Shaft
c	n/a	Choke Plate
d	n/a	Throttle Shaft
e	n/a	Throttle Plate
f	710-05469	Screw M3x6
g	736-04638	Lock Washer
h	793-00118	Idle Jet Assembly
i	n/a	Gasket, Throttle Plate
j	n/a	Idle Speed Adjusting Screw

Ref.	Part Number	Description
k	n/a	Carburetor Body
l	n/a	Fuel Shutoff Cover
m	n/a	Fuel Shutoff Lever
n	n/a	Fuel Shutoff Washer
o	n/a	Fuel Shutoff Valve
p	n/a	Float Pin
q	n/a	Emulsion Tube
r	n/a	Needle Valve
s	n/a	Main Jet
t	n/a	Needle Valve Spring
u	n/a	Float
v	951-11589	Fuel Bowl Gasket
w	n/a	Fuel Bowl
x	951-11348	Fuel Bowl Gasket
y	710-04945	Fuel Bowl Mounting Bolt
z	951-11349	Fuel Drain Plug Gasket
aa	710-04938	Fuel Drain Plug

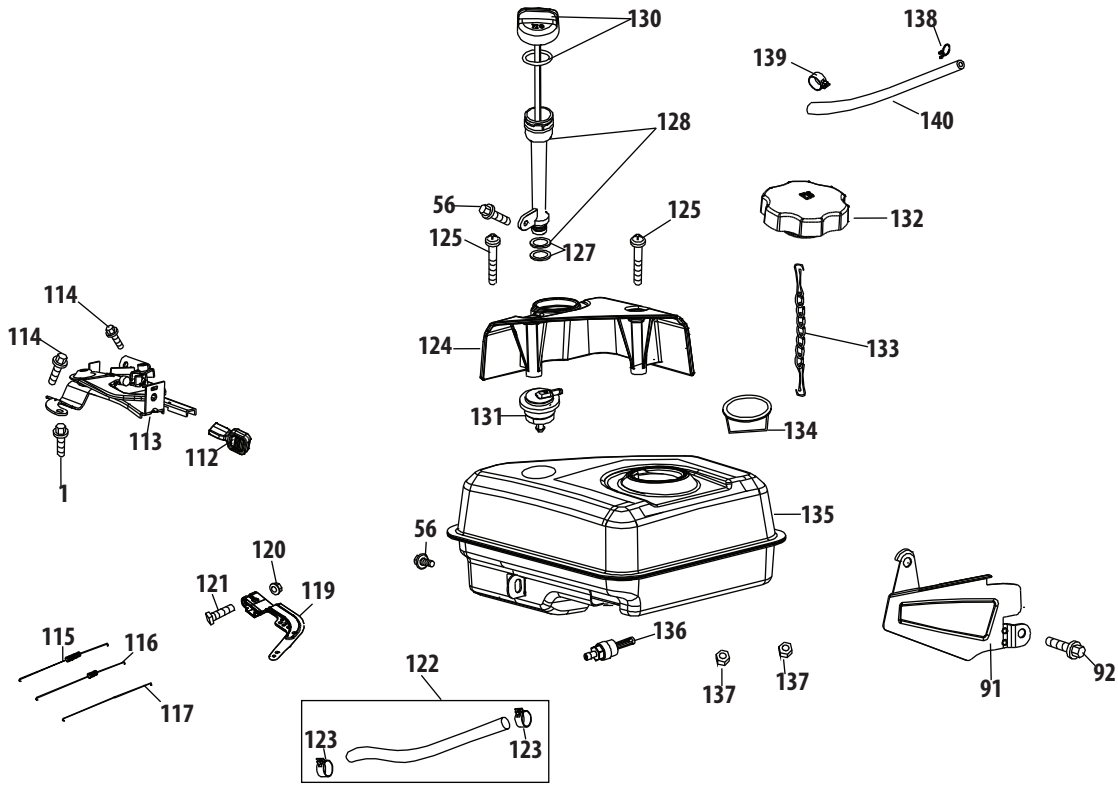
170-DU Crankcase



170-DU Crankcase

Ref.	Part Number	Description	Ref.	Part Number	Description
52	951-14317	Piston Ring Kit	81	951-12125	Crankcase Cover
53	951-11632	Piston Pin Snap Ring		951-14142	Crankcase Cover Kit (Incl.67,80-86)
54	951-14318	Piston	82	710-04932	Bolt M8×32
55	951-11633	Piston Pin	83	951-11283	Oil Fill Plug Assembly
56	710-04915	Bolt M6×12	84	951-12394	Oil Plug
57	951-11113	Air Shield	85	951-11577	O-Ring 15.8×2.5
58	951-11573	Connecting Rod Assembly	86	951-11578	Oil Seal, 25× 41.25×6
61	710-05116	Connecting Rod Bolt	87	951-14144	Crankcase Service Kit (Incl.64,67,86-89)
62	951-14053	Governor Arm		951-05031	Shortblock Assembly (Incl.5,25,28-30,46,48,49, 52-55,58-89)
63	736-04461	Washer 5.2×1.9	88	751-12514A	Oil Drain Plug
64	951-11902	Governor Seal	89	951-12126	Oil Seal 25× 41.25×6
65	714-04078	Cotter Pin	145	952Z170-DU	Complete Engine
66	751-11575A	Camshaft Assembly	146	951-12026A	Gasket Kit-External (Incl.5,25,28-30,32)
67	951-11369	Radial Ball Bearing, 6205	147	951-05032	Gasket Kit-Complete (Incl.5,25,28-30,32,46,63, 64,80,86,89)
68	951-10307	Woodruff Key			
69	951-12160	Crankshaft Assembly			
	951-14143	Crankshaft Service Kit (Incl.67-69,86,89)			
70	717-05152	Governor Gear/Shaft Assembly			
78	715-04092	Dowel Pin 7×14			
79	715-04096	Dowel Pin 9×14			
80	951-11371	Crankcase Cover Gasket			

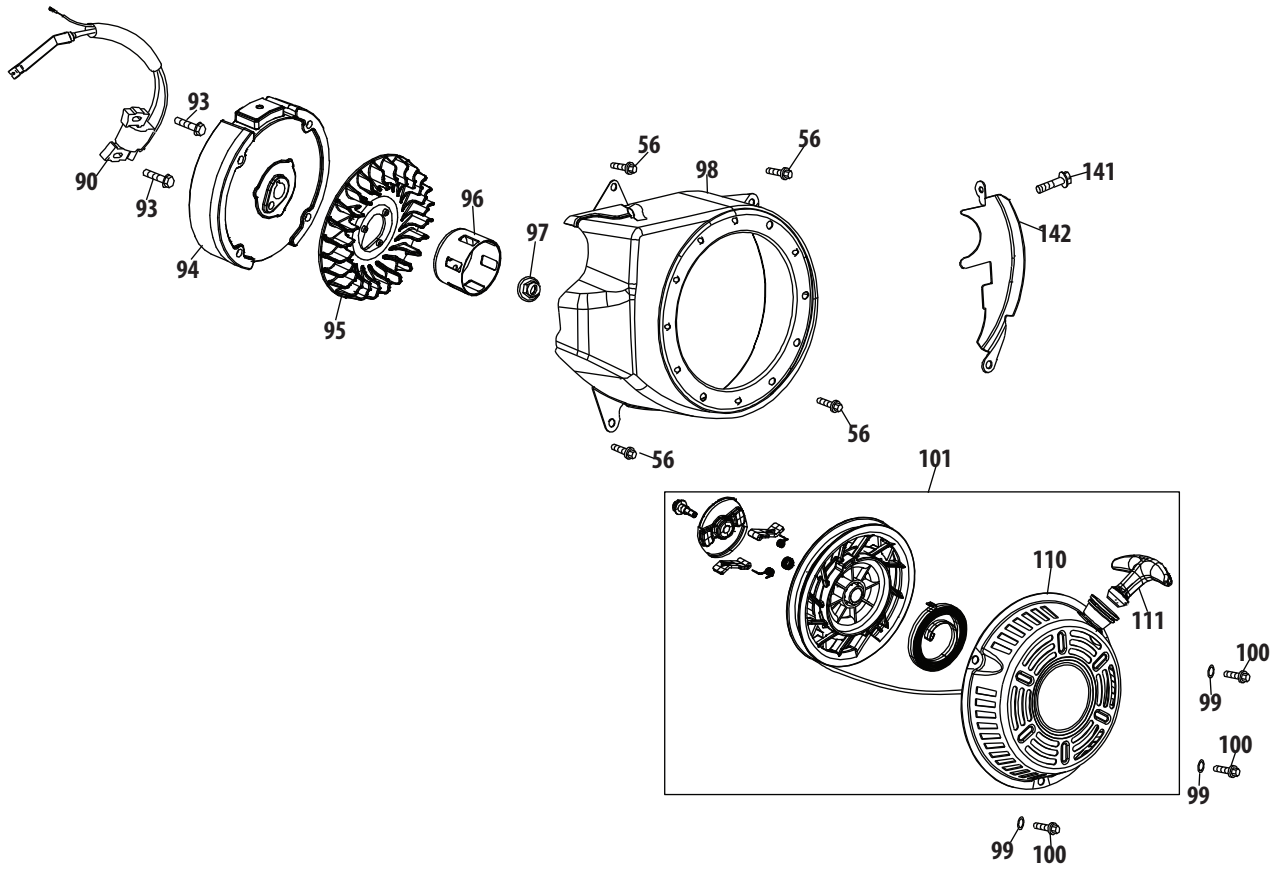
170-DU Fuel Tank



Ref.	Part Number	Description
1	710-04968	Bolt M6x16
56	710-04915	Bolt M6x12
91	951-11110	Air Flow Shield
92	710-04940	Bolt M6x10
112	951-11067	Throttle Control Knob
113	951-12131	Primer Bracket
114	710-05103	Bolt M6x12
115	951-11585	Governor Spring
116	951-10664	Throttle Linkage Spring
117	951-10665	Throttle Linkage
119	951-11106	Governor Arm
120	712-04212	Nut M6
121	710-04908	Governor Arm Bolt
122	951-10650	Kit-Fuel Line
123	951-11700	Fuel Hose Clamp

Ref.	Part Number	Description
124	951-11914	Dipstick Decoration Cover
125	710-04905	Bolt
127	951-11381	Oil Fill Tube O-Ring 15x1.5
128	951-11913	Oil Fill Tube Assy
130	951-12482	Dipstick Assy
131	951-14075	Roll Over Valve
132	951-12535	Cap Comp, Fuel
133	951-14076	Fuel Cap Chain
134	951-11933	Fuel Filter
135	951-14332	Fuel Tank Assembly
136	951-10651	Fuel Tank Nipple
137	712-05015	Nut M6
138	723-04093	Hose Clamp
139	732-05143	Hose Clamp
140	751-14541	Primer Hose Assembly

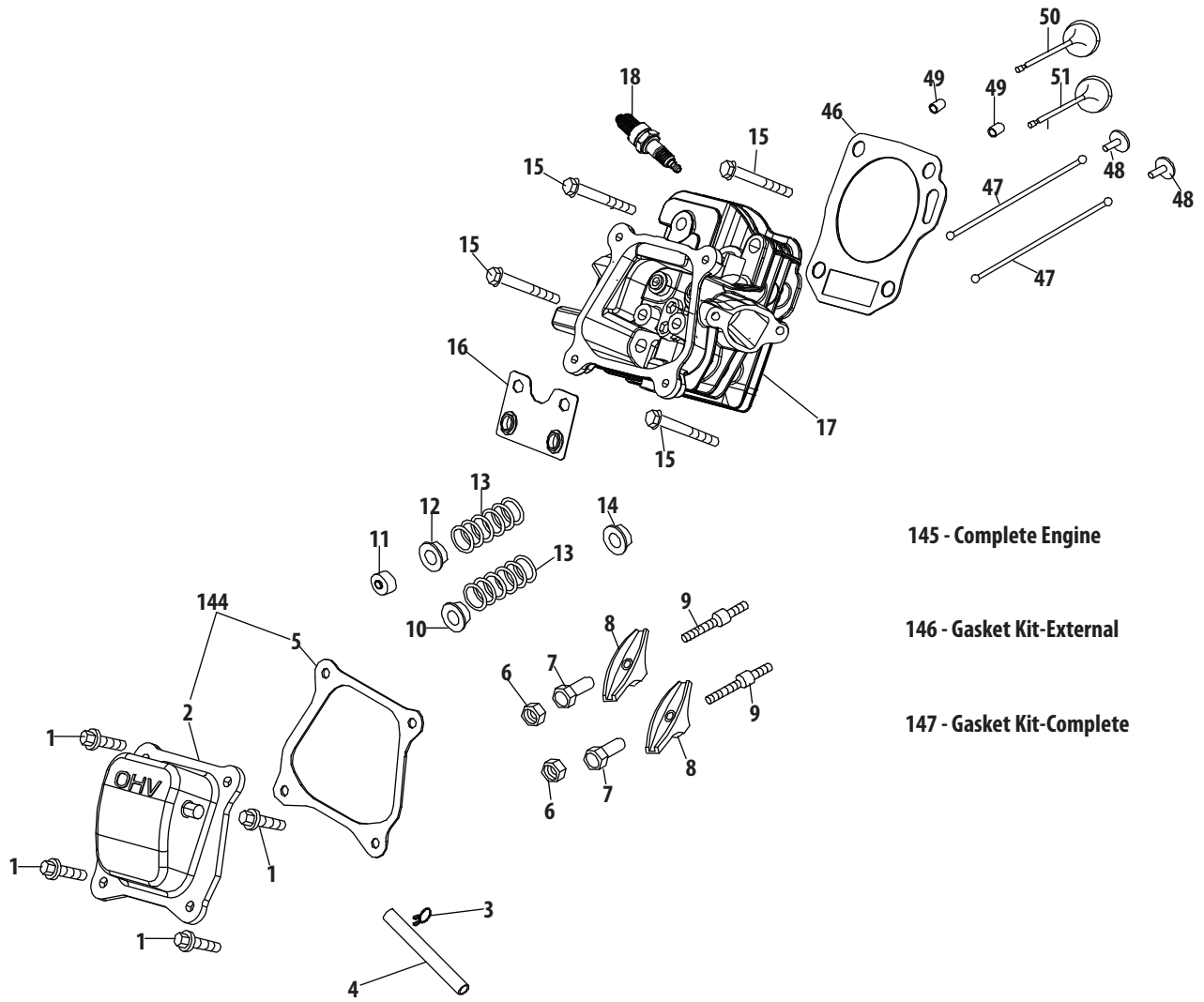
170-DU Flywheel & Housing



Ref.	Part Number	Description
56	710-04915	Bolt M6×12
90	951-10792	Ignition Coil Assembly
93	710-04919	Bolt M6×25
94	951-14320	Flywheel
95	951-10934	Cooling Fan
96	951-10911	Starter Cup
97	712-04209	Flywheel Nut, M14 X 1.5
98	951-11583	Blower Housing

Ref.	Part Number	Description
99	736-04455	Gasket 6
100	710-04974	Bolt M6×10
101	951-12418	Recoil Starter Assembly
110	951-12644	Blower Housing
111	731-09780	Starter Handle
141	710-04918	Bolt M6×20
142	951-14138	Blower Housing Shield

170-DU Cylinder Head



145 - Complete Engine

146 - Gasket Kit-External

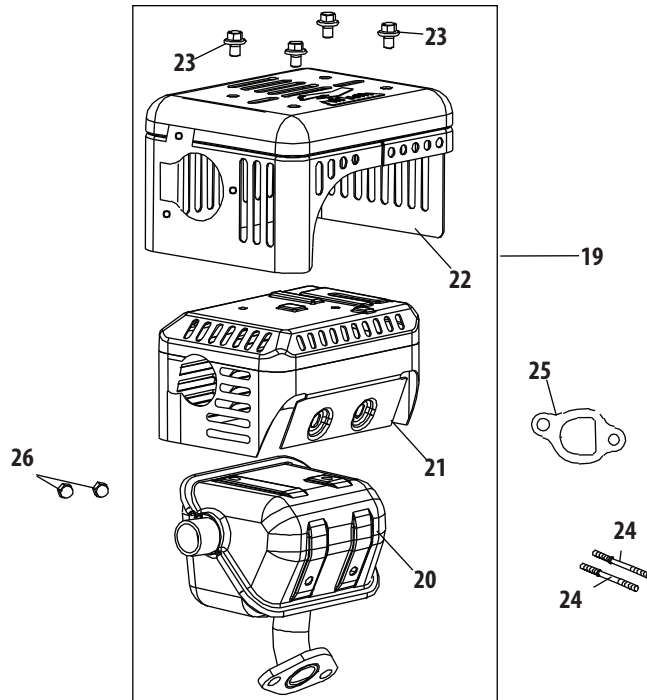
147 - Gasket Kit-Complete

170-DU Cylinder Head

Ref.	Part Number	Description
1	710-04968	Bolt M6×16
2	951-11054B	Valve Cover
3	726-04101	Clamp, Fuel Hose
4	731-09541	Venting House
5	951-11565	Valve Cover Gasket
6	751-11124	Nut, Pivot Locking
7	751-11123	Adjusting Nut ,Valve
8	951-11893	Rocker Arm
9	710-04902	Bolt, Pivot
10	951-12000	Valve Spring Retainer (Intake)
11	951-12002	Exhaust Lash Cap
12	951-12003	Valve Spring Retainer (Exhaust)
13	951-12004	Valve Spring
14	951-11894	Valve Seal (Intake)
15	710-06080	Bolt M8×55
16	951-11895	Push Rod Guide

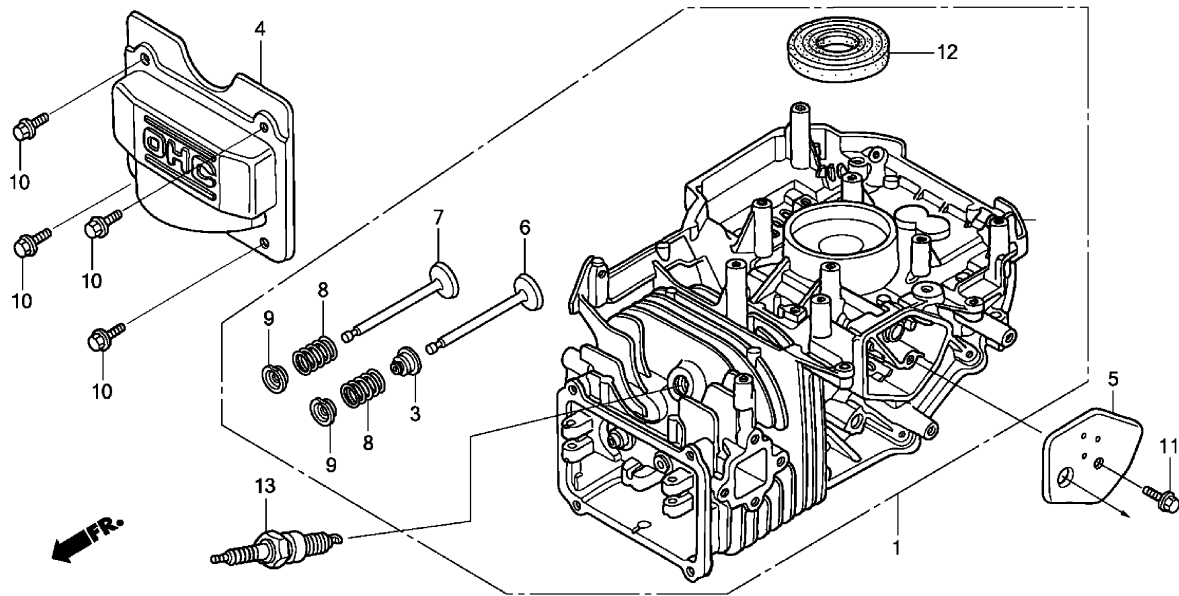
Ref.	Part Number	Description
17	951-05029	Cylinder Head Assembly (Incl.5-14,16,17,25,28-30,46,50,51)
18	951-10292	Spark Plug/F6Rtc
46	951-14316	Gasket, Cylinder Head
47	951-10648	Kit-Push Rod
48	951-11899	Tappet
49	715-04108	Dowel Pin 10×16
50	951-10647A	Valve Kit
51	951-10647A	Valve Kit
144	951-05033	Valve Cover Kit
145	952Z170-DU	Complete Engine
146	951-12026A	Gasket Kit-External (Incl.5,25,28-30,32)
147	951-05032	Gasket Kit-Complete (Incl.5,25,28-30,32,46,63, 64,80,86,89)

170-DU Muffler



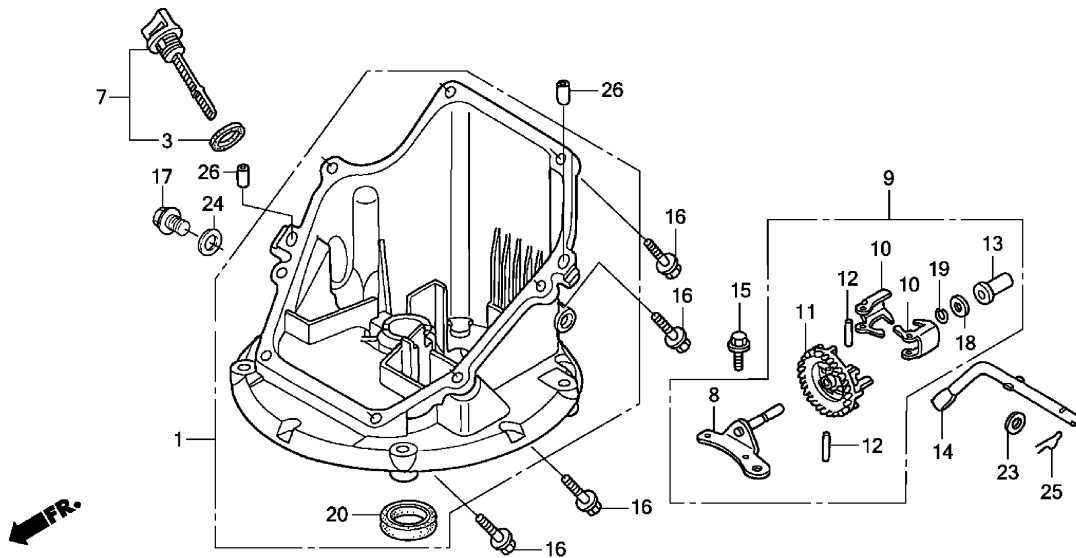
Ref.	Part Number	Description
19	651-05025	Muffler Assembly
20	751-14271	Muffler Body
21	951-14311	Muffler Shield
22	951-14310	Muffler Guard
23	710-06073	Bolt M5×8
24	710-04911	Stud M8×34
24	951-10657	Muffler Stud Assy
25	951-11289	Exhaust Pipe Gasket
26	712-04214	Nut, M8

Engine Model (Honda GCV160LA0)



Ref.	PartNumber	Description
1	N/A	Cylinder Assembly
3	12209-ZM0-003	Valve Stem Seal
4	12310-Z8A-000	Head Cover
5	12355-ZL8-000	Cover, Breather
6	14711-Z0J-800	Intake Valve
7	14721-Z8B-000	Exhaust Valve
8	14751-ZL8-000	Valve Spring
9	14771-Z0J-000	Valve Spring Retainer
10	90013-883-000	Flange Bolt, 6 x 12
11	90014-952-000	Flange Bolt, 6 x 14
12	91201-ZL8-003	Oil Seal, 25.4 x 62 x 6
13	98079-56846	SparkPlug,BPR6ES(NGK)

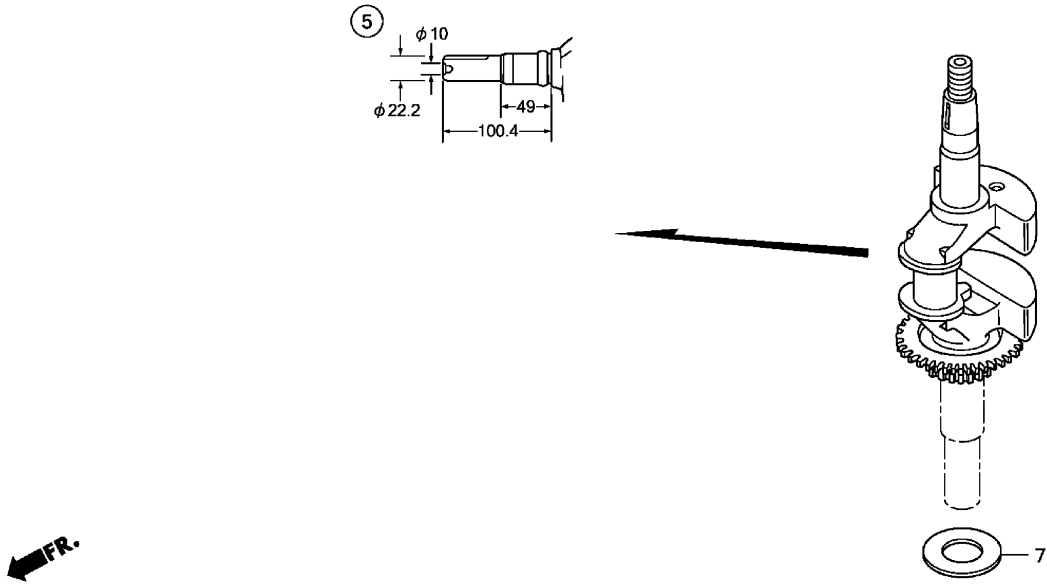
Engine Model (Honda GCV160LA0)



Ref.	PartNumber	Description
1	11300-Z0L-821	Oil Pan Assembly
3	15625-Z2L-801	Oil Filler Cap Gasket
7	15650-Z0L-000	Oil Level Gauge Assembly
8	16508-ZM0-010	Governor Holder Shaft
9	16510-ZM0-010	Governor Assembly
10	16511-ZL8-000	Governor Weight
11	16512-ZM0-000	Governor Weight Holder
12	16513-ZE1-000	Governor Weight Pin
13	16531-ZE1-000	Governor Slider
14	16541-ZM0-000	Governor Arm Shaft (to 1642935)
—	16541-Z8B-000	Governor Arm Shaft (from 1642936)

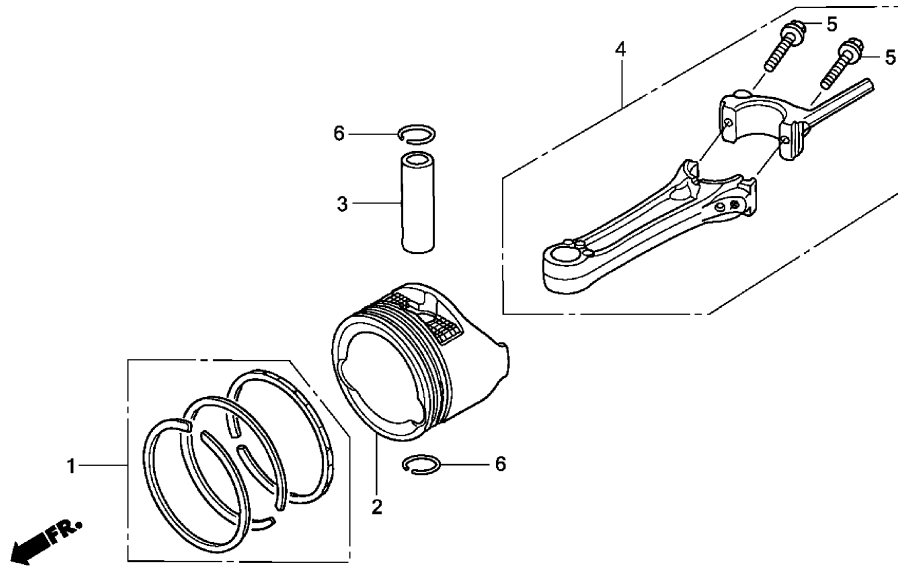
Ref.	PartNumber	Description
15	90014-952-000	Flange Bolt, 6 x 14
16	90121-952-000	Flange Bolt, 6 x 25
17	90131-896-650	Drain Plug Bolt
18	90451-ZE1-000	Thrust Washer, 6mm
19	90602-ZE1-000	Governor Holder Clip
20	91202-ZL8-003	Oil Seal, 28 x 41.25 x 6
23	94101-06800	Plain Washer, 6mm
24	94109-12000	Drain Plug Washer, 12mm
25	94251-08000	Lock Pin, 8mm
26	94301-08200	DowelPin,8x20

Engine Model (Honda GCV160LA0)



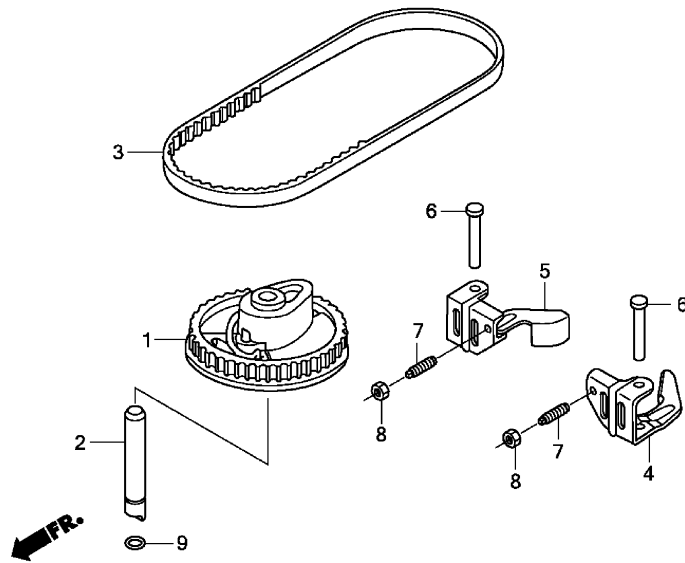
Ref.	PartNumber	Description
5	13310-Z0L-650	Crankshaft
7	90402-ZL8-000	ThrustWasher

Engine Model (Honda GCV160LA0)



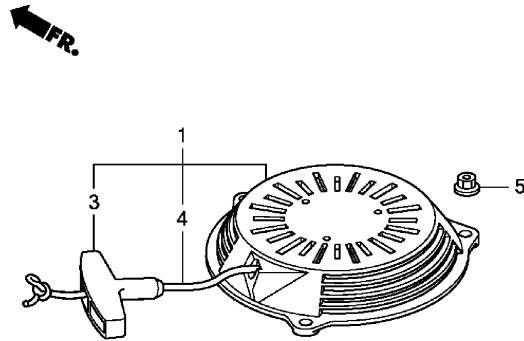
Ref.	PartNumber	Description
1	13010-Z0L-014	Piston Ring Set
2	13101-Z2A-010	Piston
—	13101-Z8B-820	Piston
3	13111-ZE0-000	Piston Pin
4	13200-Z0J-000	Connecting Rod Assembly
5	90001-ZE1-000	Connecting Rod Bolt
6	90551-ZE0-000	PistonPinClip,13mm

Engine Model (Honda GCV160LA0)



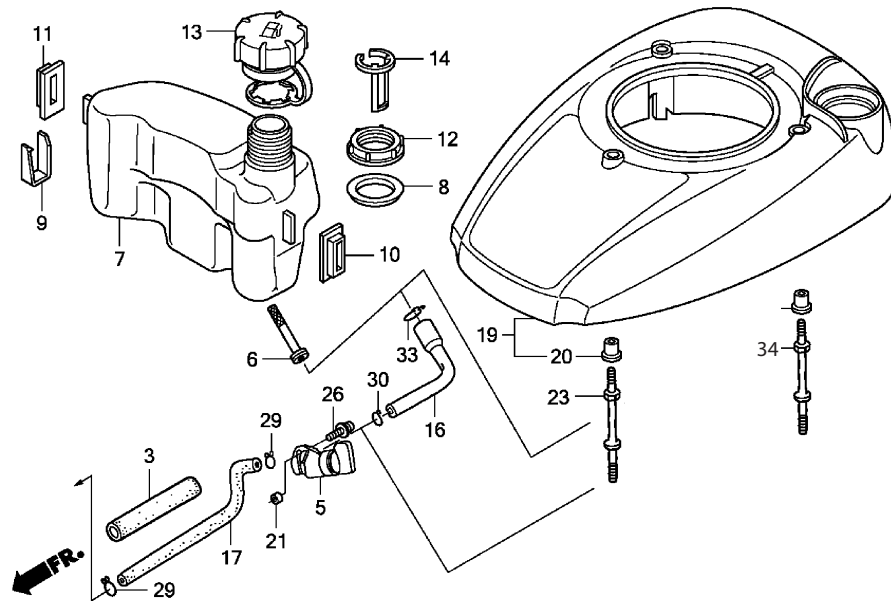
Ref.	PartNumber	Description
1	14320-ZL8-010	Camshaft Pulley
2	14324-ZL8-000	Cam Pulley Shaft
3	14400-Z8B-003	Timing Belt
4	14431-Z0J-000	Intake Rocker Arm
5	14441-Z0J-000	Exhaust Rocker Arm
6	14461-ZL8-000	Rocker Arm Shaft
7	90012-333-000	Tappet Adjusting Screw
8	90206-001-000	Tappet Adjusting Nut
9	91301-ZM0-V31	O-Ring,6.8x1.9

Engine Model (Honda GCV160LA0)



Ref.	Part Number	Description
1	28400-ZL8-023ZA	Recoil Starter Assembly
3	28461-ZL8-003	Starter Grip
4	28462-ZL8-003	Recoil Starter Rope
5	90201-ZM0-000	Flange Nut, 6mm

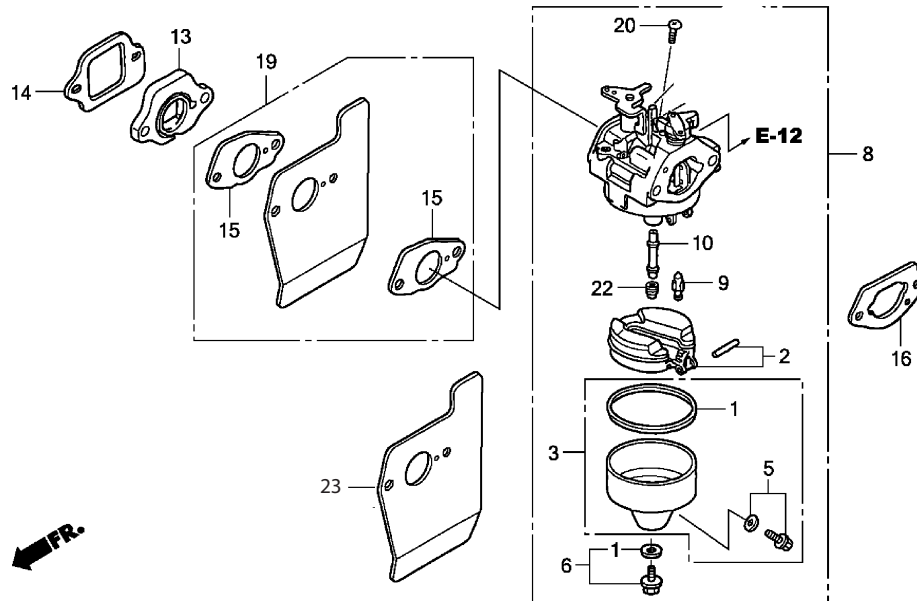
Engine Model (Honda GCV160LA0)



Ref.	Part Number	Description
3	16854-ZH8-000	Fuel Line Sleeve
5	16950-ZM0-003	Petcock Assembly
6	16952-ZA8-800	Fuel Filter (to 2240292)
—	16952-Z8B-000	Fuel Filter (from 2240293)
7	06175-Z8B-800	Fuel Tank
—	06175-Z8B-800	Fuel Tank Kit
8	17514-Z0L-000	Fuel Filler Neck Seal
9	17516-Z0L-000	Tank Mounting Clip
10	17532-Z0L-000	Tank Mounting Rubber
11	17533-Z0L-000	Tank Mounting Rubber
12	17534-Z0L-000	Tank Mounting Nut
13	17620-Z0J-800	Fuel Cap Assembly

Ref.	Part Number	Description
14	17636-Z0L-010	Fuel Level Gauge
16	17701-Z8B-811	Fuel Tank Tube
17	17702-Z8B-801	Fuel Tube
19	19611-Z0L-850ZA	Fan Cover, Black
20	19619-ZL8-300	Fan Cover Collar
21	91501-Z0L-800	Fuel Petcock Collar
23	90043-Z0J-900	Stud Bolt, 39.5mm
26	93891-05010-08	Screw w/ Washer, 5 x 10
29	95002-40800-08	Tube Clip, D8
30	95002-41000-08	Tube Clip, D10
33	95002-41200-08	Tube Clip, D12
34	90043-ZL8-000	Stud Bolt, 42.5mm

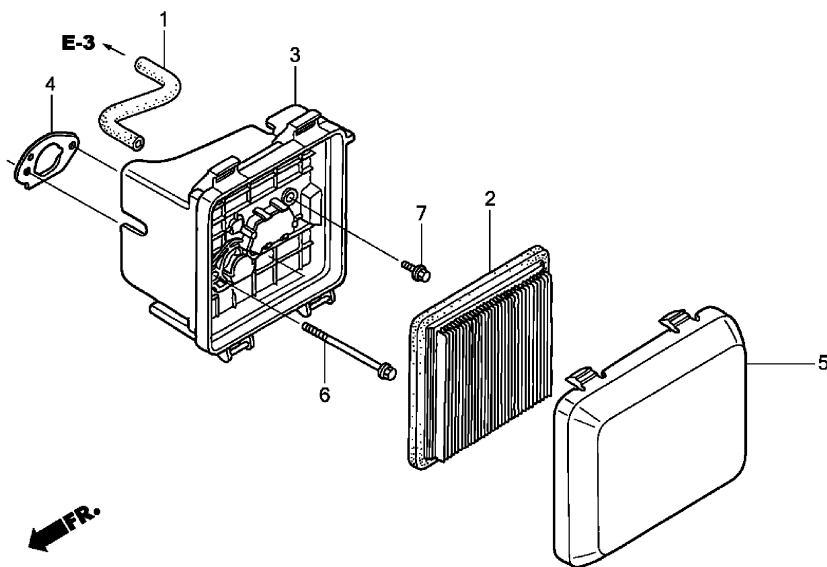
Engine Model (Honda GCV160LA0)



Ref.	Part Number	Description
1	16010-883-015	Gasket Set
2	16013-ZL1-003	Float Set
3	16015-Z0L-881	Float Chamber Set
6	16028-ZK7-S91	Screw Set
8	16100-Z0L-862	Carburetor Ass'ly (to 1854820)
—	16100-Z0L-864	Carburetor Ass'ly (from 1854821)
9	16155-ZM0-013	Float Valve
10	16166-ZM0-003	Main Nozzle

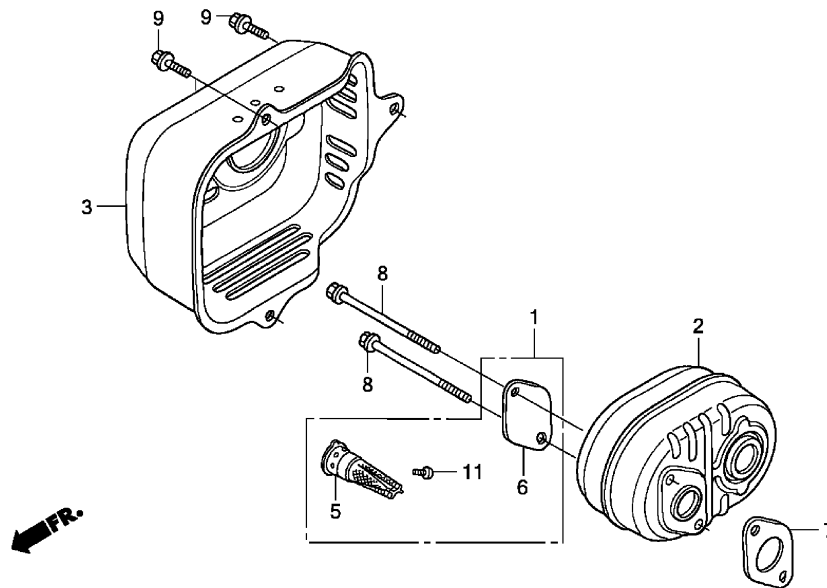
Ref.	Part Number	Description
13	16211-ZL8-000	Carburetor Insulator
14	16212-ZL8-000	Insulator Gasket
16	16228-ZL8-000	Carburetor Gasket
20	93500-05006-0H	Pan Screw, 5 x 6
22	99101-124-0600	Main Jet, #60
22	99101-124-0620	Main Jet, #62
22	99101-124-0650	Main Jet, #65
23	19651-Z0L-000	Air Guide

Engine Model (Honda GCV160LA0)



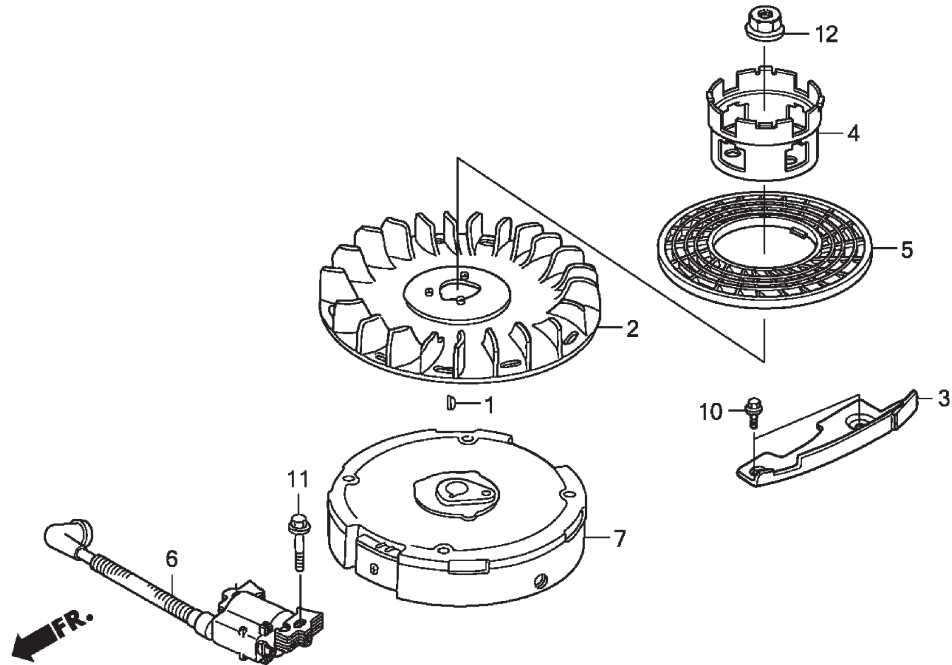
Ref.	Part Number	Description
1	15721-ZM0-000	Breather Tube
2	17211-ZL8-023	Air Cleaner Element
3	17220-ZM0-030	Air Cleaner Case Assembly
4	17228-ZM0-000	Air Cleaner Gasket
5	17231-Z0L-050	Air Cleaner Cover
6	90003-ZM0-010	Flange Bolt, 6 x 85

Engine Model (Honda GCV160LA0)



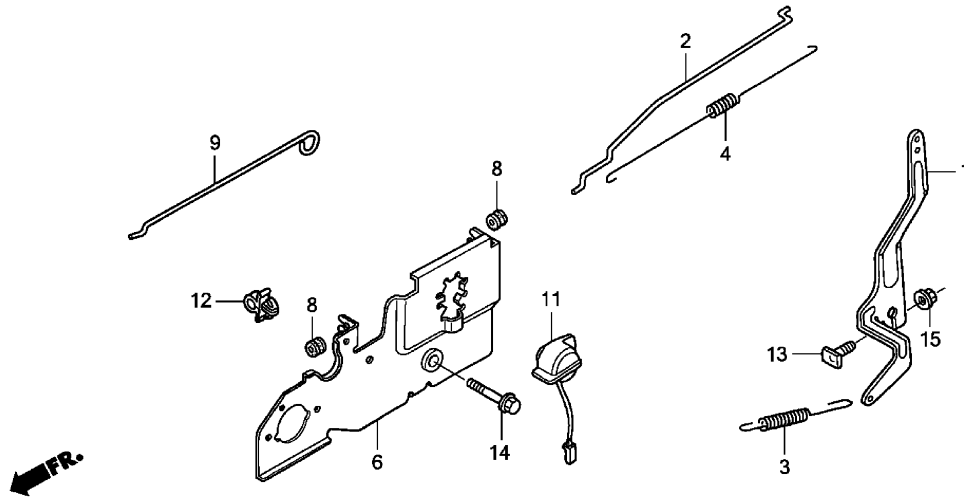
Ref.	PartNumber	Description
1	06180-Z0J-000	Spark Arrester Kit
2	18310-ZM0-010	Muffler
3	18321-Z0L-010	Muffler Protector
5	18350-ZL8-000	Spark Arrester
6	18356-ZL8-000	Arrester Number Plate
7	18381-ZL8-305	Muffler Gasket
8	90004-ZL8-000	Flange Bolt, 6 x 79
9	90013-883-000	Flange Bolt, 6 x 12
11	90055-ZE1-000	Tapping Screw, 4 x 6

Engine Model (Honda GCV160LA0)



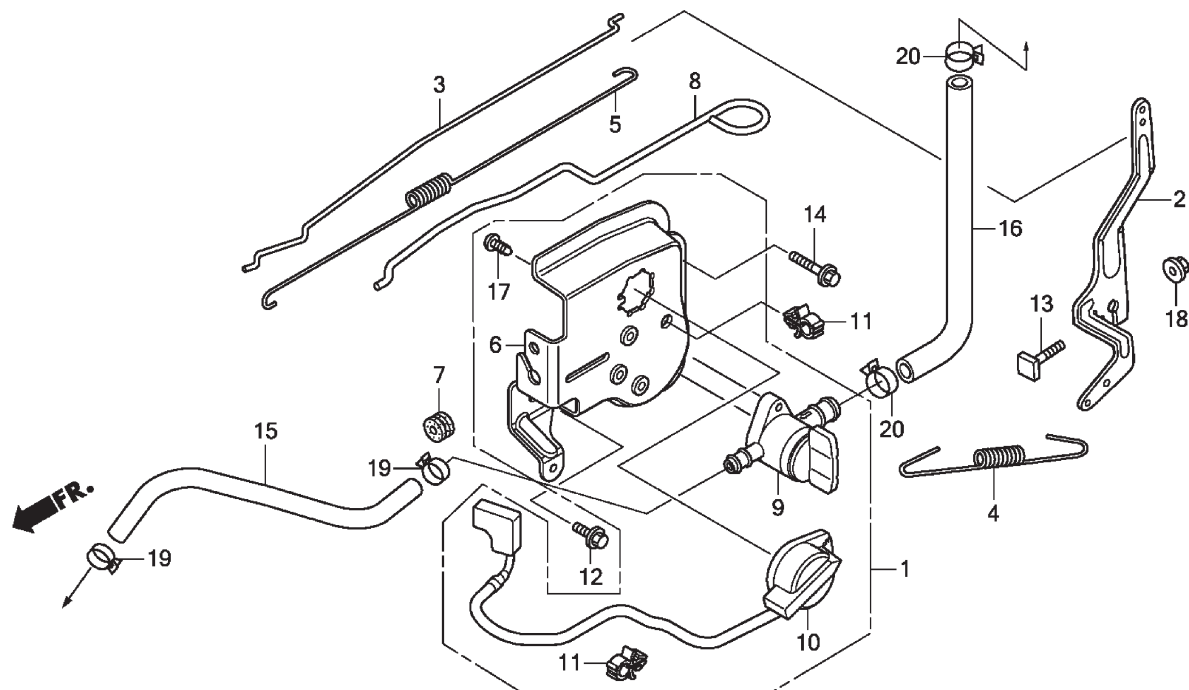
Ref.	PartNumber	Description
1	13331-357-000	Woodruff Key
2	19511-Z0J-900	Cooling Fan
3	19612-Z0L-000	Side Plate
4	28451-Z0J-900	Starter Pulley
6	30500-Z0J-004	Ignition Coil Assembly
7	31110-Z0J-004	Flywheel
10	90013-883-000	Flange Bolt, 6 x 12
11	90018-ZE1-000	Flange Bolt, 6 x 23
12	90201-Z0T-800	Nut, 14mm

Engine Model (Honda GCV160LA0)



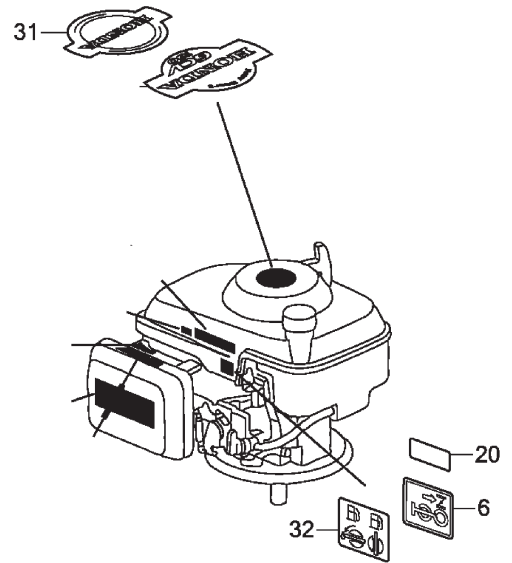
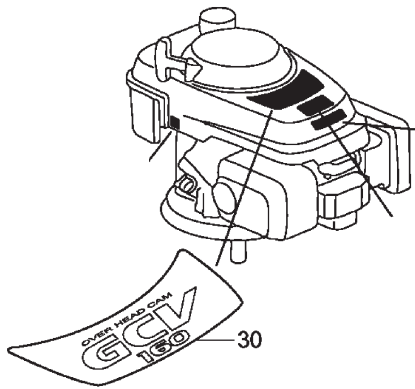
Ref.	PartNumber	Description
1	16551-ZM0-010	Governor Arm
2	16555-Z0L-801	Governor Rod
3	16561-ZM0-V30	Governor Spring
4	16562-ZM0-000	Throttle Return Spring
6	16580-Z0L-800	Control Base
8	16613-893-000	Choke Rod Grommet
9	16674-Z0L-800	Choke Rod
11	35120-Z0L-901	Engine Stop Switch Assembly
12	51125-Z0L-003	Wire Holder
12	90681-959-003	Cable Clip
13	90015-ZE5-010	Governor Arm Bolt
14	90016-ZE8-000	Flange Bolt, 6 x 45
15	94050-06000	FlangeNut, 6mm

Engine Model (Honda GCV160LA0)



Ref.	PartNumber	Description	Ref.	PartNumber	Description
1	16500-Z8D-000	Control Assembly	11	51125-Z0L-003	Wire Holder
2	16551-ZM0-010	Governor Arm	12	90013-883-000	Flange Bolt, 6 x 12
3	16555-Z0L-801	Governor Rod	13	90015-ZE5-010	Governor Arm Bolt
4	16561-Z8B-V30	Governor Spring	14	90017-883-000	Flange Bolt, 6 x 32
5	16562-ZM0-000	Throttle Return Spring	15	91424-Z8D-801	Tube
6	16581-Z8D-000	Control Base	16	91427-Z8D-801	Tube
7	16613-893-000	Choke Rod Grommet	17	93913-25220	Screw, 5 x 12
8	16674-Z8D-800	Choke Rod	18	94050-06000	Flange Nut, 6mm
9	16950-Z0Y-003	Petcock Assembly	19	95002-40800-08	Tube Clamp
10	35120-Z8D-901	Engine Stop Switch Assembly	20	95002-41200-08	Tube Clamp

Engine Model (Honda GCV160LA0)



Ref.	PartNumber	Description
6	87528-ZL8-000	Choke Mark
20	87114-ZH7-821	Warning Label
30	87101-Z8B-000	Emblem Mark
31	87169-Z8E-000	Recoil Cover Mark
32	87524-Z8B-000	Fuel Petcock Caution Mark

Engine Model (Honda GCV160LA0)



Ref.	PartNumber	Description
1	18348-Z0L-000	Muffler Cap
3	90055-ZE1-000	Screw, 4 x 6



To order replacement parts, call a Customer Support Representative at (800) 965-4CUB.
Locate your nearest Cub Cadet dealer at (877) 282-8684
or visit www.cubcadet.com to find the nearest Cub Cadet dealer in your area.

CUB CADET LLC, P.O. BOX 361131 CLEVELAND, OHIO 44136-0019
