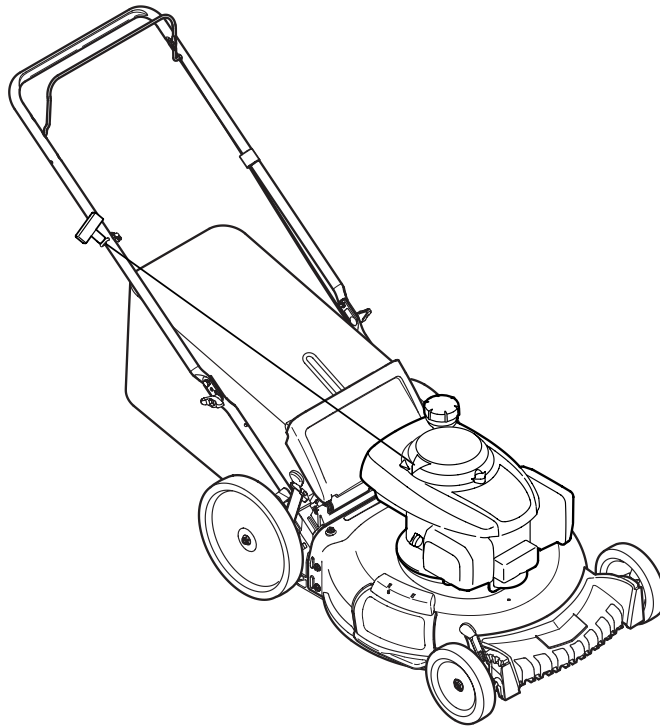




ILLUSTRATED PARTS MANUAL



Push Mower — Model TB130

TROY-BILT LLC, P.O. BOX 361131 CLEVELAND, OHIO 44136-0019

To The Owner

Thank You

Thank you for purchasing an MTD Lawn Mower. It was carefully engineered to provide excellent performance when properly operated and maintained.

All information in this manual is relative to the most recent product information available at the time of printing. Please be aware that this Illustrated Part's Manual may cover a range of product specifications for various models.

Components listed and/or illustrated in this manual may not be applicable to all models. We reserve the right to change product specifications, designs and equipment without notice and without incurring obligation.

Throughout this manual, all references to *right* (RH) and *left* (LH) are observed from the operating position.

Table of Contents

[Model TB115 \(11A-B2BM\) 4](#)
[Model TB130 \(11A-B26M/AQ\)..... 6](#)

Record Product Information

To ease in ordering replacement parts, please locate the model plate on the equipment and record the information in the provided area to the right. You can locate the model plate by looking beneath the seat.

MODEL NUMBER

--	--	--	--	--	--	--	--	--	--	--	--

SERIAL NUMBER

--	--	--	--	--	--	--	--	--	--	--	--

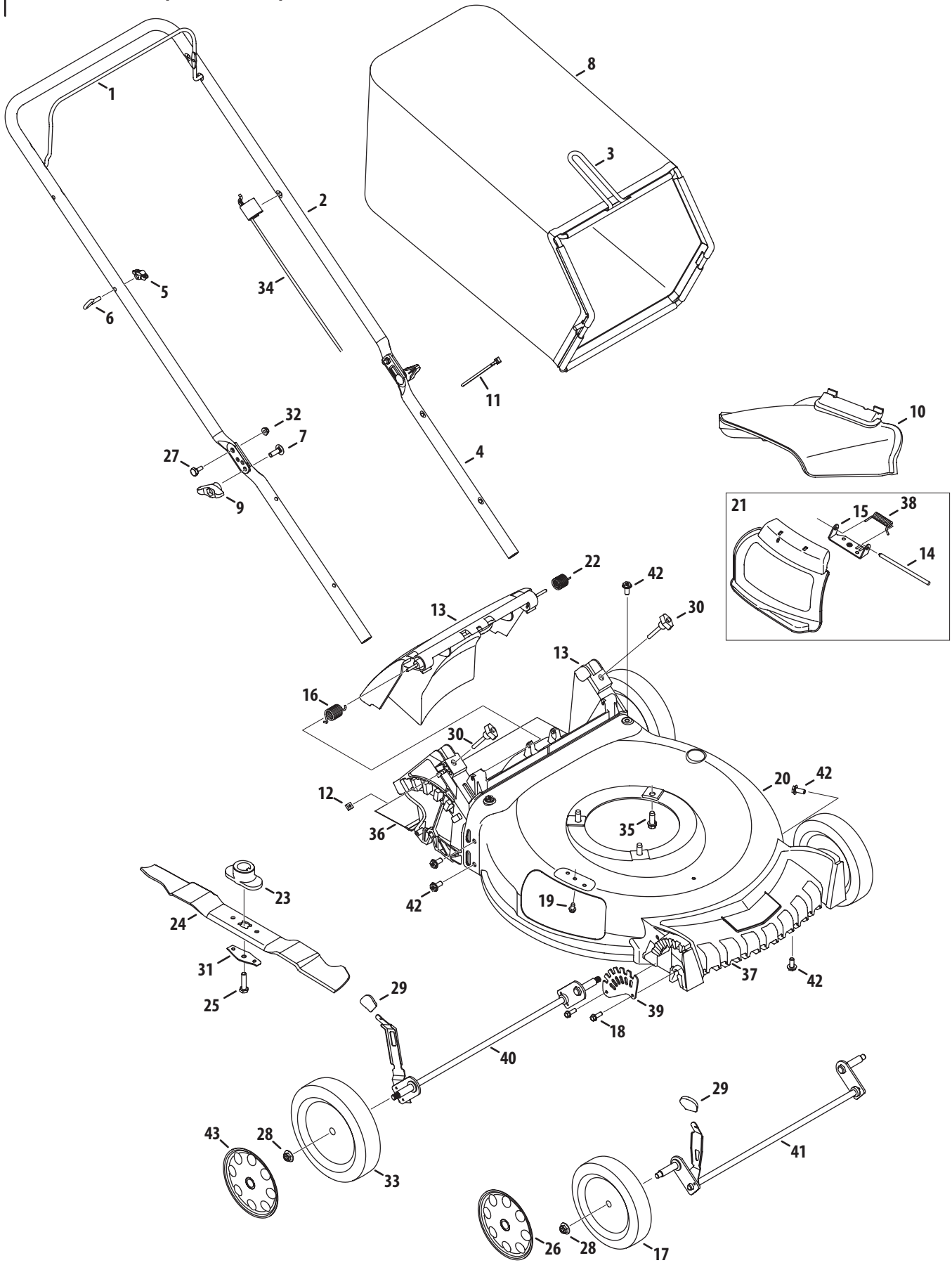
Painted Parts

When ordering painted service parts, a four digit color suffix must be added to the part number (e.g. 783-XXXXX-0637). Please refer to the table below for current color codes:

0637	Black	0674	Yellow (Yard-Man)
0709	Dark Green (Bolens, Yard-Man)	0650	Metallic Red (White Outdoor)
0662	Oyster Gray (MTD Gold)	0629	Silver Flake (MTD Platinum)
0638	Red (Yard Machines, Huskee, Troy-Bilt, MTD)	04038	Day Orange (Daedong)
0691	Black Jack (MTD Gold, MasterCut)	04033	Flint Mica (Troy-Bilt XP)

This page left intentionally blank.

Model TB115 (11A-B2BM)

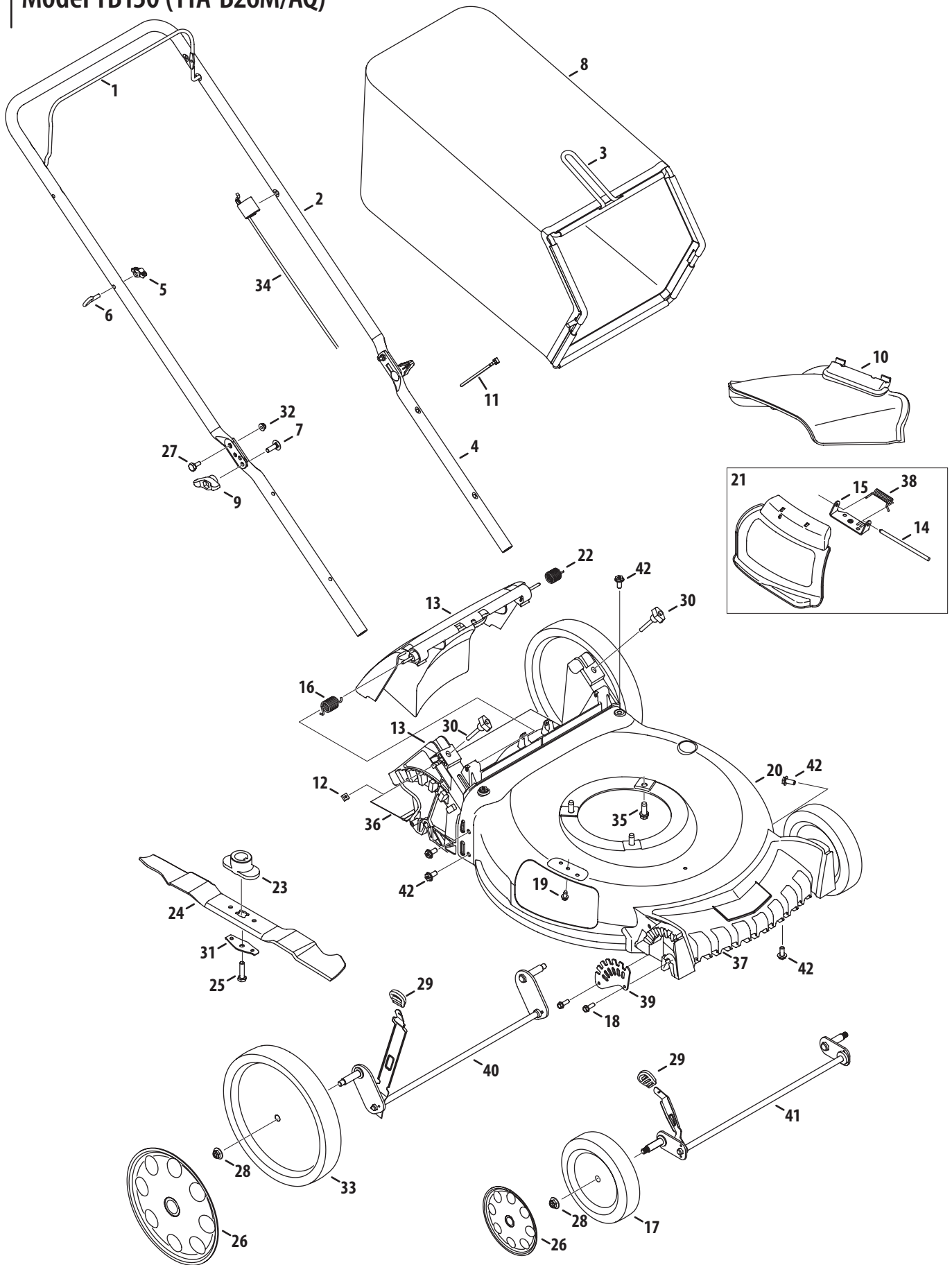


Model TB115 (11A-B2BM)

Ref No.	Part Number	Description
1	747-05214D	Blade Control
2	749-04681B	Upper Handle
3	647-04271	Grass Catcher Frame
4	749-04608A	Lower Handle
5	720-0279	Wing Nut
6	710-1205	Rope Guide
7	710-04998	Carriage Screw ,5/16-18
8	964-04117B	Grass Bag
9	720-04124	Wing Knob
10	731-07131	Side Chute
11	725-0157	Cable Tie
12	712-04222	Nut, Sq., 1/4-20
13	631-04369A	Rear Discharge Door Assembly
14	747-0710A	Hinge Pin
15	787-01779	Chute Deflector Bracket
16	732-05061A	Torsion Spring - RH
17	634-04607	Front Wheel
18	710-0895	Screw, 1/4-15 x .750
19	710-05073	Screw, 1/4-20 x .500
20	787-01869B	Deck , 21"
21	987-02516A	Hinged Mulch Plug Assembly
22	732-05062A	Torsion Spring - LH

Ref No.	Part Number	Description
23	748-0376E	Blade Adapter, #6 x 1.19
24	942-0741A	Mulching Blade
25	710-1044	Screw , 3/8-24 x 1.50
26	731-07197	Hub Cap, 7"
27	738-04419A	Sldr. Screw, .375 x .126 x 1/4-20
28	712-04217	Flange Lock Nut, 3/8-16
29	720-04131A	Adjustment Lever Knob
30	720-05066A	Wing Nut
31	736-0524B	Blade Bell Support
32	712-04064	Nut, Flange Lock, 1/4-20
33	634-05063	Rear Wheel, 11"
34	946-04661A	Control Cable
35	710-04683C	TT Sems Screw, 3/8-16 x 1.0
36	731-07203	Trail Shield
37	731-07195A	Front Cover
38	732-1014C	Torsion Spring
39	787-01818A	Front Height Adjuster Plate
40	911-04144B	Rear Axle Assembly, 11"
41	911-04143B	Front Axle Assembly
42	710-04995A	Screw, 5/16-14 x .750
43	731-07199	Hub Cap, 11"

Model TB130 (11A-B26M/AQ)



Model TB130 (11A-B26M/AQ)

Ref No.	Part Number	Description
1	747-05214D	Blade Control
2	749-04681B	Upper Handle
3	647-04271	Grass Catcher Frame
4	749-04608A	Lower Handle
5	720-0279	Wing Nut
6	710-1205	Rope Guide
7	710-04998	Carriage Screw ,5/16-18
8	964-04117B	Grass Bag
9	720-04124	Wing Knob
10	731-07131	Side Chute
11	725-0157	Cable Tie
12	712-04222	Nut, Sq., 1/4-20
13	631-04567A	Rear Discharge Door Assembly
	631-04369A	Rear Discharge Door Assembly
14	747-0710A	Hinge Pin
15	787-01779	Chute Deflector Bracket
16	732-05061A	Torsion Spring - RH
17	634-04607	Front Wheel
18	710-0895	Screw, 1/4-15 x .750
19	710-05073	Screw, 1/4-20 x .500
20	787-01869B	Deck , 21"
21	687-02584A	Hinged Mulch Plug Assembly
	987-02516A	Mulch Plug Assembly

Ref No.	Part Number	Description
22	732-05062A	Torsion Spring - LH
23	748-04096	Blade Adapter
24	942-0741A	Mulching Blade
25	710-1044	Screw , 3/8-24 x 1.50
26	731-07197	Hub Cap - Front
	731-07199	Hub Cap - Rear
27	738-04419A	Sldr. Screw, .375 x .126 x 1/4-20
28	712-04217	Flange Lock Nut, 3/8-16
29	720-04131A	Adjustment Lever Knob
30	720-05066A	Wing Nut, Black
31	736-0524B	Blade Bell Support
32	712-04064	Nut, Flange Lock, 1/4-20
33	634-05063	Rear Wheel
34	946-04661A	Control Cable
35	710-04683C	TT Sems Screw, 3/8-16 x 1.0
36	731-07203	Trail shield
37	731-07195A	Front Cover
38	732-1014C	Torsion Spring
39	787-01818A	Front Height Adjuster Plate
40	911-04144B	Rear Axle Assembly
41	911-04143B	Front Axle Assembly
42	710-04995A	Screw, 5/16-14 x .750

To order replacement parts or locate your nearest service dealer call Customer Support at (800) 828-5500.
or visit www.troybilt.com to find the nearest authorized dealer in your area.

TROY-BILT LLC, P.O. BOX 361131 CLEVELAND, OHIO 44136-0019
