

## Contents of Carton

## Tools Required

- 7/16" wrench and/or socket
- 3/16" wrench and/or socket

## Installation

1. Open the four plastic clamps (Item 9) with two hands and snap around Occupant Protective Structure (OPS) tubes. See Figure 1. The two plastic clamps (9) on the front of the OPS face rearward and the two plastic clamps (9) on the rear of the OPS face forward as shown in Figure 1.

**NOTE:** The two-piece metal clamp (7) installs on the rear OPS and should not be installed at this time.

2. Loosely attach canopy to the clamps using four hex screws (3), flat washers (11) and flange lock nuts (5). See Figure 1.
3. Install the two-piece metal clamp (7) onto the rear OPS tube, then install the canopy support bracket (1) onto the two-piece metal clamp (7) using one hex screw (2) and flange lock nut (6). See Figure 1.

**NOTE:** Make sure to install the canopy support bracket (1) with the flat side under the two-piece metal clamp (7) exactly as shown in Figure 1.

4. Secure the canopy (8) to the canopy support bracket (1) using two hex screws (4), flat washers (10) and flange lock nuts (5) as shown in Figure 1.
5. Adjust the roof to the desired position. Once in the correct position fully tighten the hardware. Torque the flange lock nut (6) on the canopy support bracket (1) to 33 ft-lbs, torque all other hardware to 90-120 in-lbs.

**NOTE:** Do not overtighten the hardware. Doing so could cause damage to the roof.

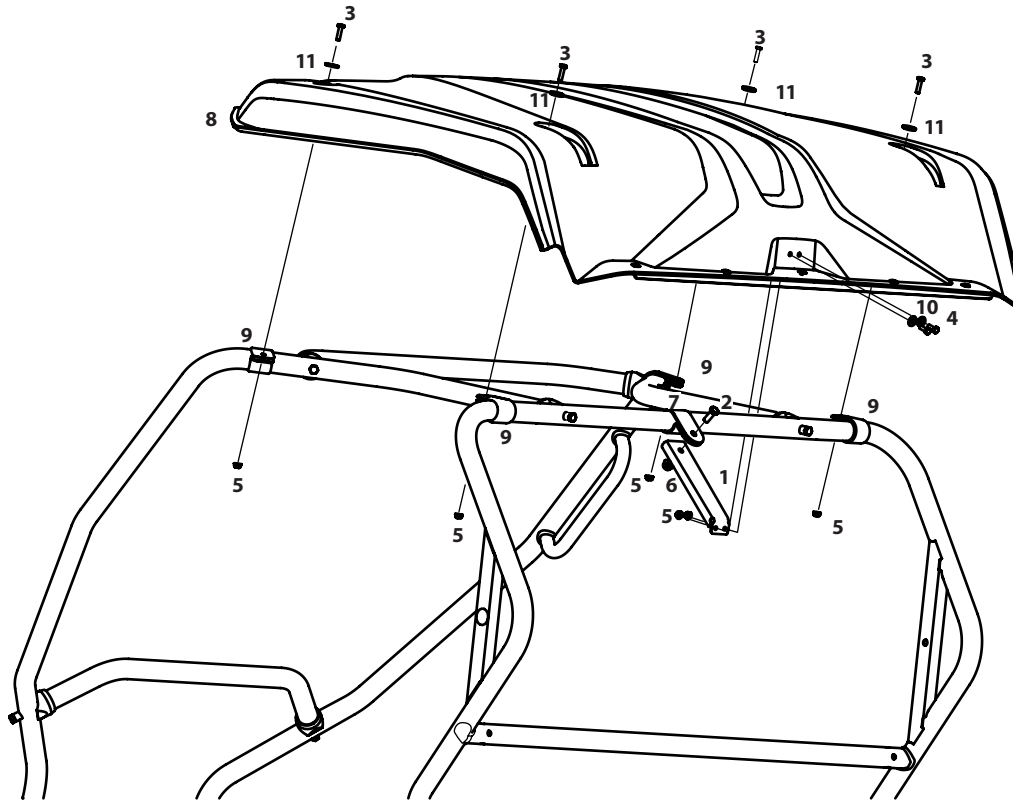


Figure 1

Ref.	Description	Part No.	Quantity
1	Canopy Support Bracket	707-06662A	1
2	Hex Screw, 3/8-16 x 1.00	710-0514	1
3	Hex Screw, 1/4-20 x 1.00	710-0597	4
4	Hex Screw, 1/4-20 x .75	710-3015	2
5	Flange Lock Nut, 1/4-20	712-04064	6
6	Flange Lock Nut, 3/8-16	712-04065	1
7	Two-Piece Metal Clamp, 1.50	726-05095	1
8	Canopy	731-11528	1
9	Plastic Clamp, 1.50	731-11781	4
10	Flat Washer, .280 x .740 x .063	736-0173	2
11	Flat Washer, .275 x 1.00 x .103	736-05192	4

769-11577A

If you have difficulty assembling this product, have questions regarding the controls, operation, or maintenance of this product, want to order replacement parts/attachments/accessories; you can seek help from the experts. Have your full model number and serial number ready. Choose from the options below:

Web: [www.cubcadet.com/equipment/cubcadet/service-and-parts](http://www.cubcadet.com/equipment/cubcadet/service-and-parts)  
 Phone: (800) 965-4CUB  
 Mail: Cub Cadet LLC • P.O. Box 361131 • Cleveland, OH • 44136-0019

# CUB CADET LLC

## MANUFACTURER'S LIMITED WARRANTY FOR UTILITY VEHICLES

The limited warranty set forth below is given by Cub Cadet LLC with respect to new merchandise purchased and used in the United States, its possessions and territories, and by MTD Products Limited with respect to new merchandise purchased and used in Canada and/or its territories and possessions.

This warranty is in addition to any applicable emissions warranty provided with your product.

For non-commercial use: Cub Cadet warrants this product (excluding Batteries, as described below) against defects in material and workmanship for a period of one (1) year from the date of original retail purchase or lease.

For commercial uses and applications: Cub Cadet warrants this product (excluding Batteries, as described below) against defects in material and workmanship for a period of six (6) months from the date of original retail purchase or lease.

"Cub Cadet" will, at its option, repair or replace, free of charge, any part found to be defective in materials or workmanship. This limited warranty shall only apply if this product has been operated and maintained in accordance with the Operator's Manual furnished with the product, and has not been subject to misuse, abuse, neglect, accident, improper maintenance, alteration, vandalism, theft, fire, water, or damage because of other peril or natural disaster. Damage resulting from the installation or use of any part, accessory or attachment not approved by Cub Cadet for use with the product(s) covered by this manual will void your warranty as to any resulting damage.

*Batteries* have a one-year prorated limited warranty against defects in material and workmanship, with 100% replacement during the first three months. After three months, the battery replacement credit is based on the months remaining in the twelve (12) month period dating back to the original date of original sale or lease. Any replacement battery will be warranted only for the remainder of the original warranty period.

*Attachments* — Cub Cadet warrants its approved attachments against defects in material and workmanship for a period of one (1) year, commencing on the date of the attachment's original purchase or lease. Attachments include, but are not limited to items such as: Electric Winch, Dozer Blade and Windshield.

**HOW TO OBTAIN SERVICE:** Warranty service is available, WITH PROOF OF PURCHASE, through your local authorized service dealer. To locate the dealer in your area:

### **In the U.S.A.**

To locate the dealer in your area, check your Yellow Pages, or contact Cub Cadet LLC at P.O. Box 361131, Cleveland, Ohio 44136-0019, or call 1-877-282-8684, or log on to our Web site at [www.cubcadet.com](http://www.cubcadet.com).

### **In Canada**

Contact MTD Products Limited, Kitchener, ON N2G 4J1, or call 1-800-668-1238 or log on to our Web site at [www.mtdcanada.com](http://www.mtdcanada.com).

This limited warranty does **not** provide coverage in the following cases:

- a. The engine or component parts thereof. These items may carry a separate manufacturer's warranty. Refer to applicable manufacturer's warranty for terms and conditions.

- b. Routine maintenance items such as lubricants, filters, tune-ups, brake adjustments, clutch adjustments and normal deterioration of the exterior finish due to use or exposure.
- c. Cub Cadet does not extend any warranty for products sold or exported outside of the United States and/or Canada, and their respective possessions and territories, except those sold through Cub Cadet's authorized channels of export distribution.
- d. Replacement parts that are not genuine Cub Cadet parts.
- e. Service completed by someone other than an authorized service dealer.
- f. Transportation charges and service calls.

**No implied warranty, including any implied warranty of merchantability of fitness for a particular purpose, applies after the applicable period of express written warranty above as to the parts as identified. No other express warranty, whether written or oral, except as mentioned above, given by any person or entity, including a dealer or retailer, with respect to any product, shall bind Cub Cadet. During the period of the warranty, the exclusive remedy is repair or replacement of the product as set forth above.**

**The provisions as set forth in this warranty provide the sole and exclusive remedy arising from the sale. Cub Cadet shall not be liable for incidental or consequential loss or damage including, without limitation, expenses incurred for substitute or replacement lawn care services or for rental expenses to temporarily replace a warranted product.**

Some states do not allow the exclusion or limitation of incidental or consequential damages, or limitations on how long an implied warranty lasts, so the above exclusions or limitations may not apply to you.

In no event shall recovery of any kind be greater than the amount of the purchase price of the product sold. **Alteration of safety features of the product shall void this warranty.** You assume the risk and liability for loss, damage, or injury to you and your property and/or to others and their property arising out of the misuse or inability to use the product.

This limited warranty shall not extend to anyone other than the original purchaser or to the person for whom it was purchased as a gift.

**HOW STATE LAW RELATES TO THIS WARRANTY:** This limited warranty gives you specific legal rights, and you may also have other rights that vary in different jurisdictions.

**IMPORTANT:** Owner must present Original Proof of Purchase to obtain warranty coverage.

**Cub Cadet LLC, P.O. BOX 361131 CLEVELAND, OHIO 44136-0019; Phone: 1-877-282-8684  
MTD Canada Limited - KITCHENER, ON N2G 4J1; Phone 1-800-668-1238**