

OPERATOR'S MANUAL

Leaf Blower

Jet Sweep (672 & 1150 Series)

<i>Safe Operation Practices</i>	2	<i>Service</i>	6
<i>Assembly & Set-Up</i>	4	<i>Español</i>	7
<i>Controls & Operation</i>	5	<i>Parts/Warranty</i>	<i>See Separate Supplement</i>

WARNING

**READ AND FOLLOW ALL SAFETY RULES AND INSTRUCTIONS IN THIS MANUAL
BEFORE ATTEMPTING TO OPERATE THIS MACHINE.
FAILURE TO COMPLY WITH THESE INSTRUCTIONS MAY RESULT IN PERSONAL INJURY.**

NOTE: This Operator's Manual covers several models. Features may vary by model. Not all features in this manual are applicable to all models and the model depicted may differ from yours.



QR Code For
Manufacturing
Purposes



WARNING! This symbol points out important safety instructions which, if not followed, could endanger the personal safety and/or property of yourself and others. Read and follow all instructions in this manual before attempting to operate this machine. Failure to comply with these instructions may result in personal injury. When you see this symbol. **HEED ITS WARNING!**



WARNING! Engine Exhaust, some of its constituents, and certain vehicle components contain or emit chemicals known to State of California to cause cancer and birth defects or other reproductive harm.



DANGER! This machine was built to be operated according to the safe operation practices in this manual. As with any type of power equipment, carelessness or error on the part of the operator can result in serious injury. This machine is capable of amputating fingers, hands, toes and feet and throwing debris. Failure to observe the following safety instructions could result in serious injury or death.

CALIFORNIA PROPOSITION 65

Operation

General Operation:

1. Read, understand, and follow all instructions on the machine and in the manual(s) before attempting to assemble and operate. Keep this manual in a safe place for future and regular reference and for ordering replacement parts.
2. Be familiar with all controls and their proper operation. Know how to stop the machine and disengage them quickly.
3. Never allow children under 14 years of age to operate this machine. Children 14 and over should read and understand the instructions and safe operation practices in this manual and on the machine and be trained and supervised by an adult.
4. This leaf blower is a powerful tool, not a plaything. Therefore, exercise extreme caution at all times. It has been designed to perform one job; to blow leaves. Do not use it for any other purpose.
5. Keep the area of operation clear of all persons, particularly small children and pets. Stop the engine when they enter the machine's vicinity
6. Always wear safety glasses or safety goggles during operation and while performing an adjustment or repair to protect eyes from debris or foreign objects that may be thrown from machine.
7. Wear close fitting slacks and shirt. Shirt and slacks that cover the arms and legs are recommended. Do not wear loose fitting clothes or jewelry and secure hair so it is above shoulder level. They can be caught in moving parts.
8. Do not operate the machine while under the influence of alcohol or drugs.
9. Never place your hands or any part of your body or clothing near rotating parts. Keep clear of the discharge opening at all times. Never insert your hands, fingers, feet, or any other part of your body or clothing into the discharge or air intake openings as the rotating impeller inside the housing can cause serious injury.
10. Never operate machine without directional discharge chute and plastic impeller guard properly affixed to machine. These devices shield the operator from accidental contact with the rotating impeller.

11. Keep all guards and safety devices in place and operating properly.
12. Exercise caution when operating blower. Do not allow the directional discharge chute to point in the direction of bystanders or pets.
13. If your machine should start making an unusual noise or vibration, immediately stop the engine, disconnect the spark plug wire and move the wire away from the spark plug. Allow the machine to cool and perform the following steps:
 - a. Inspect for damage.
 - b. Repair or replace any damaged parts.
 - c. Check for any loose parts and tighten to assure continued safe operation.
14. Muffler and engine become hot and can cause a burn. Do not touch.
15. Do not allow leaves or other debris to build up on engine's muffler. The debris could ignite and cause a fire.
16. Do not operate engine if air cleaner or cover over carburetor air intake is removed, except for adjustment. Removal of such parts could create a fire hazard.
17. Only use accessories approved for this machine by the manufacturer. Read, understand, and follow all instructions provided with the approved accessory.
18. Only operate machine in daylight or good artificial light. Do not operate machine in dark areas where your vision may be impaired.
19. Never pick up or carry machine while the engine is running.
20. If situations occur which are not covered in this manual, use care and good judgment. Contact Customer Support for assistance or the name of the nearest service dealer.

Children

Tragic accidents can occur if the operator is not alert to the presence of small children. Children are often attracted to the blowing activity. Never assume that children will remain where you last saw them.

1. Keep children out of the work area and under the watchful eye of a responsible adult other than the operator.
2. Be alert and turn the machine off if a child enters the area.
3. Never allow children under the age of 14 to operate the leaf blower.

Service

Safe Handling Of Gasoline:

1. To avoid personal injury or property damage use extreme care in handling gasoline. Gasoline is extremely flammable and the vapors are explosive. Serious personal injury can occur when gasoline is spilled on yourself or your clothes which can ignite. Wash your skin and change clothes immediately.
2. Use only an approved gasoline container.
3. Never fill containers inside a vehicle or on a truck or trailer bed with a plastic liner. Always place containers on the ground away from your vehicle before filling.
4. Remove gas-powered equipment from the truck or trailer and refuel it on the ground. If this is not possible, then refuel such equipment on a trailer with a portable container, rather than from a gasoline dispenser nozzle.
5. Keep the nozzle in contact with the rim of the fuel tank or container opening at all times until fueling is complete. Do not use a nozzle lock-open device.
6. Extinguish all cigarettes, cigars, pipes and other sources of ignition.
7. Never fuel machine indoors because flammable vapors will accumulate in the area.
8. Never remove gas cap or add fuel while engine is hot or running. Allow engine to cool at least two minutes before refueling.
9. Never over fill fuel tank. Fill tank to no more than 1/2 inch below bottom of filler neck to provide for fuel expansion.
10. Replace gasoline cap and tighten securely.
11. If gasoline is spilled, wipe it off the engine and equipment. Move machine to another area. Wait five (5) minutes before starting engine.
12. Never store machine or fuel container near an open flame, spark or pilot light as on a water heater, space heater, furnace, clothes dryer or other gas appliances.
13. To reduce fire hazard, keep blower free of grass, leaves, or other debris build-up. Clean up oil or fuel spillage and remove any fuel-soaked debris.
14. Allow machine to cool at least five (5) minutes before storing.

General Service:

Never tamper with safety devices. Check their proper operation regularly.

1. Check all nuts, bolts and screws for proper tightness at frequent intervals to keep the machine in safe working condition. Also, visually inspect machine for any damage and repair, if needed.
2. Before cleaning, repairing, or inspecting, stop the engine and make certain the impeller and all moving parts have stopped. Disconnect the spark plug wire and ground it against the engine to prevent unintended starting.
3. Do not change the engine governor settings or overspeed the engine. The governor controls the maximum safe operating speed of the engine.
4. Maintain or replace safety and instruction labels, as necessary.
5. Follow this manual for safe loading, unloading, transporting, and storage of this machine.
6. Never store the machine or fuel container near an open flame, spark or pilot light such as on a water heater, furnace, clothes dryer, or other gas appliances.
7. Always refer to the operator's manual for proper instructions on off-season storage.
8. If the fuel tank has to be drained, do this outdoors.
9. Observe proper disposal laws and regulations for gas, oil, etc. to protect the environment.
10. According to the Consumer Products Safety Commission (CPSC) and the U.S. Environmental Protection Agency (EPA), this product has an *Average Useful Life* of seven (7) years, or 70 hours of operation. At the end of the *Average Useful Life* have the machine inspected annually by an authorized service dealer to ensure that all mechanical and safety systems are working properly and not worn excessively. Failure to do so can result in accidents, injuries or death.

Spark Arrestor



WARNING! This machine is equipped with an internal combustion engine and should not be used on or near any unimproved forest-covered, brush-covered or grass-covered land unless the engine's exhaust system is equipped with a spark arrestor meeting applicable local or state laws (if any).

If a spark arrestor is used, it should be maintained in effective working order by the operator. In the State of California the above is required by law (Section 4442 of the California Public Resources Code). Other states may have similar laws. Federal laws apply on federal lands. A spark arrestor for the muffler is available through your nearest engine authorized service dealer or contact the service department, P.O. Box 361131 Cleveland, Ohio 44136-0019.

Safety Symbols

This page depicts and describes safety symbols that may appear on this product. Read, understand, and follow all instructions on the machine before attempting to assemble and operate.

Symbol	Description
	READ THE OPERATOR'S MANUAL(S) Read, understand, and follow all instructions in the manual(s) before attempting to assemble and operate.
	WARNING— ROTATING BLADES Keep hands out of inlet and discharge openings while machine is running. There are rotating blades inside.
	BYSTANDERS Do not allow the directional discharge chute to point in the direction of bystanders or pets.
	WARNING— SHIELDS AND GUARDS Never operate machine without directional discharge chute and plastic impeller guard properly affixed to machine.



WARNING! Your Responsibility—Restrict the use of this power machine to persons who read, understand and follow the warnings and instructions in this manual and on the machine.

SAVE THESE INSTRUCTIONS!

Thank You

Thank you for purchasing this product. It was carefully engineered to provide excellent performance when properly operated and maintained.

Please read this entire manual prior to operating the equipment. It instructs you how to safely and easily set up, operate and maintain your machine. Please be sure that you, and any other persons who will operate the machine, carefully follow the recommended safety practices at all times. Failure to do so could result in personal injury or property damage.

All information in this manual is relative to the most recent product information available at the time of printing. Review this manual frequently to familiarize yourself with the machine, its features and operation. Please be aware that this Operator's Manual may cover a range of product specifications for various models. Characteristics and features discussed and/or illustrated in this manual may not be applicable to all models. We reserve the right to change product specifications, designs and equipment without notice and without incurring obligation.

If applicable, the power testing information used to establish the power rating of the engine equipped on this machine can be found at www.opei.org or the engine manufacturer's web site.

If you have any problems or questions concerning the machine, phone your local authorized dealer or contact us directly. Customer Support telephone numbers, website address and mailing address can be found on the separate supplement sheet packed with this machine. We want to ensure your complete satisfaction at all times.

Throughout this manual, all references to *right* and *left* side of the machine are observed from the operating position, unless otherwise noted.

Contents of Carton

- Jet Sweep Blower (1)
- Safety Glasses (1)
- Oil (1 bottle)
- Product Registration Sheet (1)
- Carriage Screw (2)
- Star Knob (2)
- 90° Discharge Chute Attachment (1)
- Upper Handle (1)
- Jet Sweep Blower Operator's Manual (1)
- Jet Sweep Blower Fast Start Guide (1)
- Engine Operator's Manual (1)

NOTE: All references to the left or right side of the jet sweep blower are from the operator's position. Any exceptions will be noted.

Assembly

Attaching the Upper Handle

1. Remove the carriage screws (a) and star knobs (b) from the carton. See Figure 2-1.

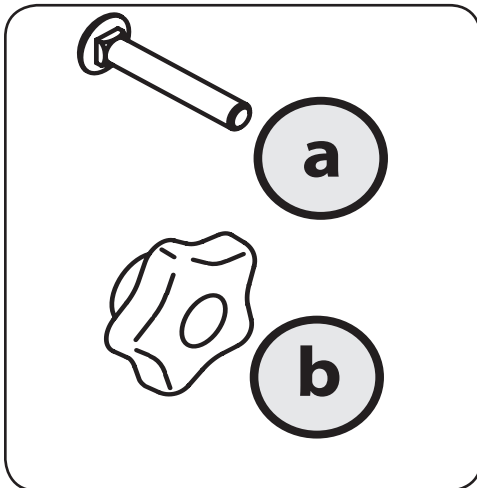


Figure 2-1

2. Place the upper handle over the lower handle, aligning the upper holes/metal tabs in the upper handle with the upper holes/lower holes in the lower handle. Secure the upper handle to the lower handle with the carriage screws (a) and star knobs (b). See Figure 2-2.

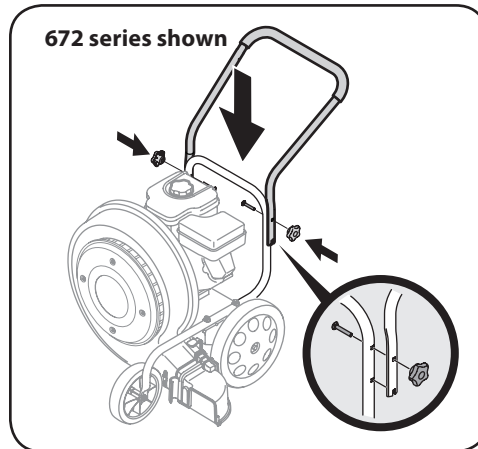


Figure 2-2

Set-Up

90° Discharge Chute Attachment

To redirect airflow at a 90° angle during operation, a chute attachment is included for optional use. See Attaching the Chute Attachment in the Controls and Operations section.

Adding Oil

Refer to the Engine Operator's Manual for information on adding and checking oil.



CAUTION: Always check the engine oil level before each use as instructed in the Engine Operator's Manual. Add oil as necessary. Failure to do so may result in serious damage to your engine.

Adding Fuel

Refer to the Engine Operator's Manual for information on adding fuel.



WARNING! Use extreme care when handling gasoline. Gasoline is extremely flammable and the vapors are explosive. Never fuel the machine indoors or while the engine is hot or running. Extinguish cigarettes, cigars, pipes and other sources of ignition.

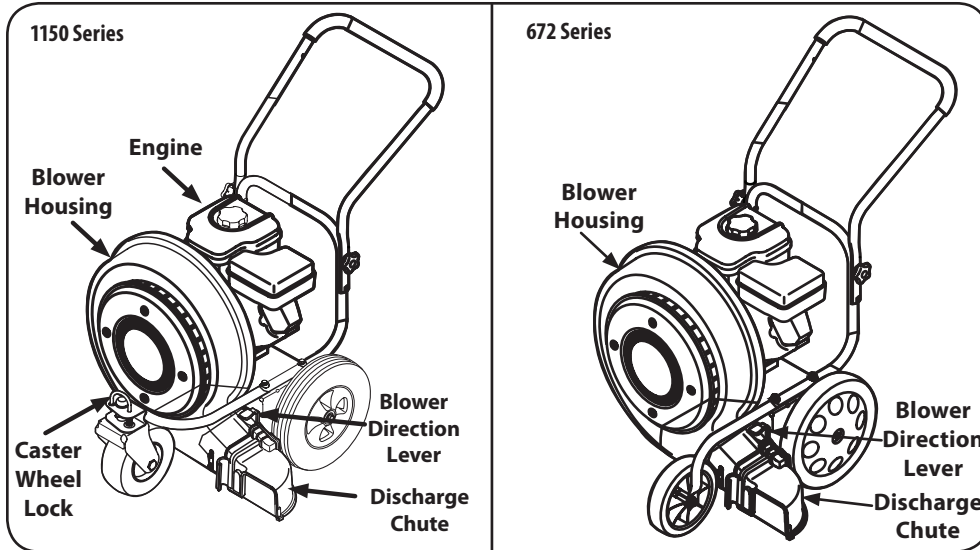


Figure 3-1

Controls



WARNING! Read and follow all safety rules and instructions in this manual before attempting to operate this machine. Failure to comply with all safety rules and instructions may result in personal injury.

Engine

Refer to the Engine Operator's Manual for details regarding all engine-related controls and features.

Discharge Chute

The discharge chute is located on the left side of the jet sweep and directs the air flow.

Blower Direction Lever

Adjusts the louvers to change the direction of air flowing out of the discharge chute.

Caster Wheel Lock (If Equipped)

The front caster wheel can be locked in position for straight ahead travel or allowed to swivel freely.

Operation

Starting & Stopping the Engine

Refer to the Engine Operator's Manual for instructions on starting and stopping the engine.

Adjusting the Blower Direction

The air flow can be directed to one of three directions using the blower direction lever to move the louvers.



WARNING! Do not stand in front of discharge area.

NOTE: The blower direction lever must be in the middle position when operating the blower with the chute attachment to keep it locked in place.

1. Pull the lever out and away from the blower. See Figure 3-2.

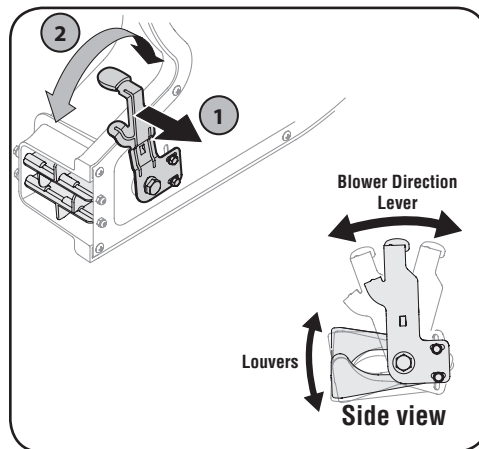


Figure 3-2

2. Move the lever to the left to direct airflow downward or to the right to direct airflow upward. See Figure 3-3.

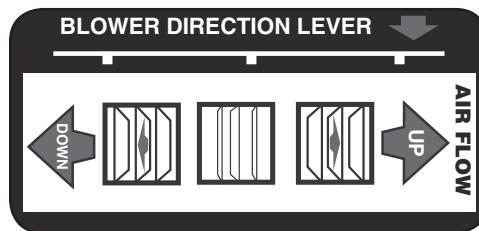


Figure 3-3

3. Release lever towards blower, making sure it secures into place.



WARNING! Exercise caution when operating blower. Do not allow the directional discharge chute to point in the direction of bystanders or pets.

Attaching & Removing the Chute Attachment



WARNING! DO NOT operate without shields and guards in place.

To redirect airflow at a 90° angle during operation, a chute attachment is included with your jet sweep blower.

1. Pivot the blower direction lever all the way to the right, into the highest position. See (1) in Figure 3-4.

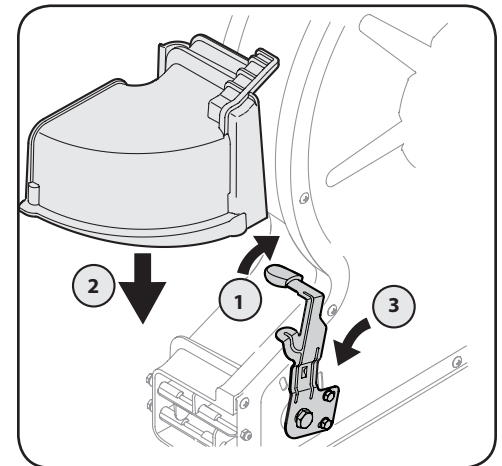


Figure 3-4

2. Slide the chute attachment downward, over the opening. See 2 in Figure 3-4.
3. Pivot the direction lever to the middle position to lock the chute attachment in place. See 3 in Figure 3-4.
4. To remove the chute attachment, first repeat step 1, then slide the chute attachment upward and off the chute.



WARNING! Keep hands out of inlet and discharge openings while machine is running. There are rotating blades inside.

Locking the Caster Wheel (If Equipped)

1. To lock the caster, lift the lock pin, see A in Figure 3-5, and rotate it rearward, releasing it into the larger hole, see B in Figure 3-5.

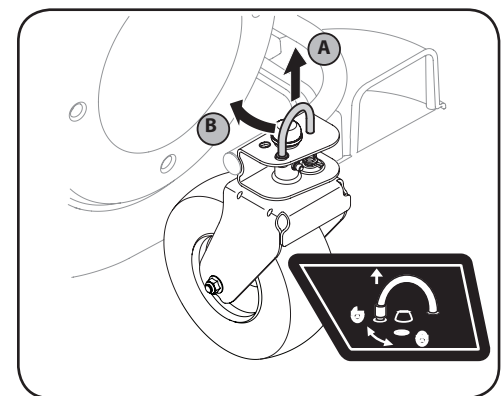


Figure 3-5

2. To unlock the caster, lift the lock pin and rotate it forward, releasing it into the smaller hole.

Maintenance



WARNING! Before performing any maintenance or repairs always stop engine.

Engine

Refer to the Engine Operator's Manual for all engine maintenance procedures and instructions.

NOTE: Maintenance, repair, or replacement of the emission control devices and systems which are being done at owner's expense may be performed by any qualified engine repair establishment or individual.

Cleaning the Blower

Any fuel or oil spilled on the machine should be wiped off promptly. Do NOT allow debris to accumulate around the cooling fins of the engine, the fan intake area or on any other part of the machine.



WARNING! If the engine has been recently run, the engine, muffler and surrounding metal surfaces will be hot and can cause burns to the skin. Exercise caution to avoid burns.

Lubrication



WARNING! Before lubricating, repairing, or inspecting always stop engine.

Wheels

Lubricate the rear and front axles with spray lubricant once per season.

Troubleshooting

Problem	Cause	Remedy
Excessive vibration or noise	<ol style="list-style-type: none"> 1. Loose parts. 2. Damaged impeller. 3. Debris in Housing 	<ol style="list-style-type: none"> 1. Tighten all fasteners. 2. Contact an authorized Service Dealer. 3. Contact an authorized service Dealer.

MANUAL DE OPERADOR

Soplador con tobera de barrido

**Jet Sweep
(Serie 672 y 1150)**

<i>Medidas de seguridad</i>	8	<i>Servicio</i>	12
<i>Montaje y configuración</i>	10	<i>Parts/Warranty.... Consulte el suplemento adjunta</i>	
<i>Controles y funcionamiento</i>	11		

ADVERTENCIA

LEA Y OBSERVE TODAS LAS NORMAS E INSTRUCCIONES DE SEGURIDAD INCLUIDAS EN ESTE MANUAL ANTES DE PONER EN FUNCIONAMIENTO LA MÁQUINA. SI NO SIGUE ESTAS INSTRUCCIONES PUEDE PROVOCAR LESIONES PERSONALES.

NOTA: Este manual de operación corresponde a numerosos modelos. Las características técnicas pueden variar según los modelos. No todas las características técnicas que se incluyen en este manual se aplican a todos los modelos y la máquina que se ilustra aquí puede diferir de la suya.



¡ADVERTENCIA! La presencia de este símbolo indica que se trata de instrucciones importantes de seguridad que se deben respetar para evitar poner en peligro su seguridad personal y/o material y la de otras personas. Lea y siga todas las instrucciones de este manual antes de poner en funcionamiento esta máquina. Si no respeta estas instrucciones puede provocar lesiones personales. Cuando vea este símbolo. **¡TENGA EN CUENTA LAS ADVERTENCIAS!**

PROPOSICIÓN 65 DE CALIFORNIA



¡ADVERTENCIA! El escape del motor de este producto, algunos de sus componentes y algunos componentes del vehículo contienen o liberan sustancias químicas que el estado de California considera que pueden producir cáncer, defectos de nacimiento u otros problemas reproductivos.



¡PELIGRO! Esta máquina está diseñada para ser utilizada respetando las normas de seguridad contenidas en este manual. Al igual que con cualquier tipo de equipo motorizado, un descuido o error por parte del operador puede producir lesiones graves. Esta máquina es capaz de amputar dedos, manos y pies y de arrojar residuos. De no respetar las instrucciones de seguridad siguientes se pueden producir lesiones graves o la muerte.

FUNCIONAMIENTO

Funcionamiento general:

1. Lea, entienda y cumpla todas las instrucciones incluidas en la máquina y en el(los) manual(es) antes de intentar realizar el montaje de la unidad y utilizarla. Guarde este manual en un lugar seguro para consultas futuras y periódicas, así como para solicitar repuestos.
2. Familiarícese con todos los controles y con el uso adecuado de los mismos. Sepa cómo detener la máquina y desactivar los controles rápidamente.
3. No permita nunca que los niños menores de 14 años utilicen esta máquina. Los niños de 14 años en adelante deben leer y entender las instrucciones de operación y normas de seguridad contenidas en este manual y en la máquina y deben ser entrenados y supervisados por un adulto.
4. Su soplador de hojas es una herramienta potente, no un juguete. Por lo tanto, tenga mucho cuidado en todo momento. Esta unidad ha sido diseñada para realizar una tarea: soplar las hojas. No la utilice para ningún otro fin.
5. Mantenga el área de operación despejada de personas, particularmente de niños pequeños y mascotas. Detenga el motor cuando haya niños o mascotas cerca de la unidad.
6. Use siempre anteojos o antiparras de seguridad durante el funcionamiento del soplador y mientras realiza algún ajuste o reparación para protegerse los ojos de los residuos u objetos extraños que podrían ser arrojados por la máquina.
7. Use pantalones y camisa ajustados. Se recomienda el uso de camisa y pantalón que cubran los brazos y las piernas. No use vestimenta suelta ni alhajas y átese el cabello de modo que quede por encima del hombro. Pueden quedar atrapados en las partes móviles.
8. No opere esta máquina bajo los efectos del alcohol o de drogas.
9. No coloque nunca las manos ni ninguna parte del cuerpo o vestimenta cerca de las piezas rotatorias. Manténgase lejos de la abertura de descarga en todo momento. No inserte nunca las manos, dedos, pies ni ninguna otra parte del cuerpo ni la vestimenta dentro de las aberturas de descarga o de toma de aire ya que el motor rotatorio del interior del alojamiento puede causar lesiones graves.
10. No opere nunca la unidad sin el canal de descarga direccional y el protector plástico del motor adecuadamente instalados en la misma. Estos dispositivos protegen al operador del contacto accidental con el motor rotatorio.
11. Mantenga todos los protectores y dispositivos de seguridad en su lugar y en buenas condiciones.

12. Cuando opere el soplador tenga precaución. No permita que la descarga esté orientada hacia los transeúntes o mascotas.
13. Si su máquina hace algún sonido o vibración inusual al arrancar, detenga el motor inmediatamente, desconecte el cable de la bujía y retire el cable de la bujía. Deje que la máquina se detenga y realice los siguientes pasos:
 - a. Inspeccione la máquina para ver si está dañada.
 - b. Repare o reemplace las piezas dañadas.
 - c. Controle si hay piezas flojas y ajústelas para asegurar que la máquina funcione de manera segura y continua.
14. El silenciador y el motor se calientan y pueden causar quemaduras. No los toque.
15. No permita que se acumulen hojas ni otros residuos sobre el silenciador del motor. Los residuos podrían encenderse y dar lugar a un incendio.
16. No haga funcionar el motor si se han retirado el filtro de aire o la tapa que está encima de la toma de aire del carburador, a menos que sea para un ajuste. La falta de esas piezas podría generar un peligro de incendio.
17. Utilice solamente accesorios aprobados para esta máquina por el fabricante original. Lea, comprenda y siga todas las instrucciones proporcionadas con los accesorios aprobados.
18. Utilice la máquina únicamente con luz de día o con una buena luz artificial. No opere la unidad en áreas oscuras en las cuales la visibilidad se puede ver afectada.
19. Nunca levante o transporte la máquina cuando el motor está encendido.
20. Si se presentan situaciones que no están previstas en este manual, tenga cuidado y use el sentido común. Póngase en contacto con Asistencia al Cliente para solicitar ayuda o el nombre del distribuidor de servicio más cercano.

Niños

Pueden ocurrir accidentes trágicos si el operador no está atento a la presencia de niños. La actividad del soplador a menudo resulta atractiva para los niños. Nunca suponga que los niños permanecerán en el lugar donde los vio por última vez.

1. Mantenga a los niños fuera del área de trabajo y bajo estricta vigilancia de un adulto responsable además del operador.
2. Esté alerta y apague la máquina si un niño ingresa al área.
3. No permita nunca que los niños menores de 14 años utilicen este motor.

Servicio

Manejo seguro de la gasolina:

1. Para evitar lesiones personales o daños materiales sea sumamente cuidadoso al manipular la gasolina. La gasolina es sumamente inflamable y sus vapores pueden causar explosiones. Si se derrama gasolina encima o sobre la ropa se puede lesionar gravemente ya que se puede encender. Lávese la piel y cámbiese de ropa de inmediato.
2. Utilice sólo los recipientes para gasolina autorizados.
3. Nunca llene los recipientes en el interior de un vehículo o camión o caja de remolque con recubrimiento plástico. Coloque siempre los recipientes en el piso y lejos del vehículo antes de llenarlos.
4. Retire el equipo a gasolina del camión o remolque y llénelo en el piso. Si esto no es posible, llene el equipo en un remolque con un recipiente portátil, en vez de hacerlo con una boquilla dispensadora de gasolina.
5. Mantenga la boquilla de llenado en contacto con el borde del depósito de combustible o con la abertura del recipiente en todo momento, hasta terminar la carga. No utilice un dispositivo de boquilla de apertura/cierre.
6. Apague todos los cigarrillos, cigarras, pipas y otras fuentes de combustión.
7. Nunca cargue combustible en la máquina en interiores porque los vapores inflamables podrían acumularse en el área.
8. Nunca saque la tapa de la gasolina ni agregue combustible mientras el motor está caliente o en marcha. Deje que el motor se enfríe por lo menos dos minutos antes de volver a cargar combustible.
9. Nunca llene en exceso el depósito de combustible. Llene el tanque a no más de 1/2 pulgada por debajo de la base del cuello del tapón de carga, para permitir la expansión del combustible.
10. Vuelva a colocar la tapa del combustible y ajústela bien.
11. Limpie el combustible que se haya derramado sobre el motor y el equipo. Traslade la máquina a otra zona. Espere cinco minutos antes de encender el motor.
12. Nunca almacene la máquina o el recipiente de combustible cerca de llama expuesta, chispas o aparatos con piloto como por ejemplo, calentadores de agua, calefactores, hornos, secadores de ropa u otros aparatos a gas.
13. Para reducir el riesgo de incendio mantenga la máquina limpia de pasto, hojas y de acumulación de otros escombros. Limpie los derrames de aceite o combustible y saque todos los residuos embebidos de combustible.
14. Permita que la máquina se enfríe por lo menos 5 minutos antes de almacenarla.

Servicio general:

1. Nunca altere los dispositivos de seguridad. Controle periódicamente que funcionen correctamente.
2. Controle frecuentemente que todas las tuercas, los pernos y tornillos estén bien ajustados para comprobar que la máquina se encuentra en condiciones seguras de funcionamiento. Además, realice una inspección visual de la máquina para controlar si la misma está dañada y repárela de ser necesario.
3. Antes de limpiar, reparar o inspeccionar la máquina, detenga el motor y compruebe que el impulsor y todas las partes móviles se hayan detenido. Desconecte el cable de la bujía y póngalo haciendo masa contra el motor para evitar que se encienda accidentalmente.
4. No cambie la configuración del regulador del motor ni acelere demasiado el motor. El regulador del motor controla la velocidad máxima de funcionamiento seguro del motor.
5. Mantenga o reemplace las etiquetas de seguridad e instrucciones según sea necesario.
6. Siga las instrucciones de este manual para cargar, descargar, transportar y almacenar de manera segura esta máquina.

7. Nunca almacene la máquina o el recipiente de combustible cerca de llama expuesta, chispas o aparatos con piloto como por ejemplo, calentadores de agua, hornos, secadores de ropa u otros aparatos a gas.
8. Consulte siempre el manual de operación para obtener instrucciones adecuadas para el almacenamiento fuera de temporada.
9. Si debe vaciar el tanque de combustible, hágalo al aire libre.
10. Respete las normas referentes a la disposición correcta y las reglamentaciones sobre gasolina, aceite, etc. para proteger el medio ambiente.
11. Según la Comisión de Seguridad de Productos para el Consumidor de los Estados Unidos (CPSC) y la Agencia de Protección Ambiental de los Estados Unidos (EPA), este producto tiene una *vida útil media* de siete (7) años ó 70 horas de funcionamiento. Al finalizar la *vida útil media*, adquiera una máquina nueva o haga inspeccionar anualmente esta unidad por un distribuidor de servicio autorizado para cerciorarse de que todos los sistemas mecánicos y de seguridad funcionan correctamente y no tienen excesivo desgaste. Si no lo hace, pueden producirse accidentes, lesiones o la muerte.

Amortiguador de chispas



¡ADVERTENCIA! Esta máquina está equipada con un motor de combustión interna y no debe ser utilizada en un terreno agreste cubierto por bosque, malezas o hierba ni cerca del mismo excepto que el sistema de escape del motor esté equipado con un amortiguador de chispas que cumpla con las leyes locales o estatales correspondientes (en caso de haber).

Si se utiliza un amortiguador de chispas el operador lo debe mantener en condiciones de uso adecuadas. En el Estado de California las medidas anteriormente mencionadas son exigidas por ley (Artículo 4442 del Código de Recursos Públicos de California). Es posible que existan leyes similares en otros estados. Las leyes federales se aplican en territorios federales. Puede conseguir el amortiguador de chispas para el silenciador a través de su distribuidor de mantenimiento de motores autorizado más cercano o poniéndose en contacto con el departamento de servicios, Apartado Postal 361131 Cleveland, Ohio 44136-0019.

Símbolos de seguridad

En esta página se presentan y describen los símbolos de seguridad que pueden aparecer en este producto. Lea, entienda y cumpla todas las instrucciones incluidas en la máquina antes de intentar realizar el montaje de la unidad y utilizarla.

Símbolo	Descripción
	LEA EL(LOS) MANUAL(ES) DEL OPERADOR Lea, entienda y cumpla todas las instrucciones incluidas en el(los) manuales antes de intentar realizar el montaje de la unidad y utilizarla.
	ADVERTENCIA — CUCHILLAS GIRATORIAS Mientras la máquina está en funcionamiento mantenga las manos fuera de las aberturas de entrada y de descarga. En el interior hay cuchillas giratorias.
	TRANSEÚNTES No permita que el canal de descarga direccional esté orientado hacia los transeúntes o mascotas.
	ADVERTENCIA — ESCUDOS DE SEGURIDAD Y PROTECCIONES No opere nunca la unidad sin el canal de descarga direccional y el protector plástico del motor adecuadamente instalados en la misma.



¡ADVERTENCIA! Su responsabilidad—Restrinja el uso de esta máquina motorizada a las personas que lean, comprendan y respeten las advertencias e instrucciones que figuran en este manual y en la máquina.

GUARDE ESTAS INSTRUCCIONES

Gracias

Gracias por comprar este producto. Se ha diseñado cuidadosamente para brindar excelente rendimiento si se opera y mantiene correctamente.

Por favor lea todo este manual antes de hacer funcionar el equipo. El manual le indica cómo configurar, operar y mantener la máquina de manera fácil y segura. Por favor asegúrese de que usted, y cualquier otra persona que utilice la máquina, siga atentamente y en todo momento las medidas de seguridad recomendadas. De lo contrario, se podrían producir lesiones personales o daños materiales.

Toda la información contenida en este manual hace referencia a la más reciente información de producto disponible en el momento de la impresión. Revise el manual frecuentemente para familiarizarse con la máquina, sus características y funcionamiento.

Por favor tenga en cuenta que este Manual del Operador puede cubrir una gama de especificaciones para productos de varios modelos. Es posible que las características y funciones que se incluyen y/o ilustran en este manual no se apliquen a todos los modelos. Nos reservamos el derecho de modificar las especificaciones de los productos, diseños y equipos sin previo aviso y sin generar responsabilidad por obligaciones de ningún tipo.

Si corresponde, la información sobre las pruebas de potencia utilizadas para determinar la potencia nominal del motor equipado en esta máquina se puede consultar en www.opei.org o en el sitio web del fabricante del motor.

Si tiene algún problema o duda respecto a la máquina, llame a un distribuidor de servicio autorizado o comuníquese directamente con nosotros. Queremos garantizar su entera satisfacción en todo momento.

En este manual todas las referencias al lado *derecho* e *izquierdo* de la máquina se observan desde la posición del operador

El fabricante del motor es el responsable de todas las cuestiones relacionadas con el rendimiento, potencia de salida, especificaciones, garantía y mantenimiento del motor. Por favor consulte el manual del propietario/operador del motor para más información.

Contenido de la caja de cartón

- Soplador con tobera de barrido (1)
- Anteojos de seguridad (1)
- Aceite (1 botella)
- Manija superior (1)
- Perillas de estrella (2)
- Tornillos del carro (2)
- Accesorio del canal de descarga (1)
- Hoja de Registro del Producto (1)
- Manual del Operador del Soplador con Tobera de Barrido (1)
- Guía de Arranque Rápido del Soplador con Tobera de Barrido (1)
- Manual del Operador del motor (1)

NOTA: Todas las referencias a los lados derecho o izquierdo del soplador con tobera de barrido se hacen observando este accesorio desde la posición del operador. En caso de que hubiese una excepción, se especificará claramente.

Montaje

Colocación de la manija de control superior

1. Extraiga los tornillos del carro (a) y las perillas en estrella (b) de la caja de cartón. Consulte la Figura 2-1.

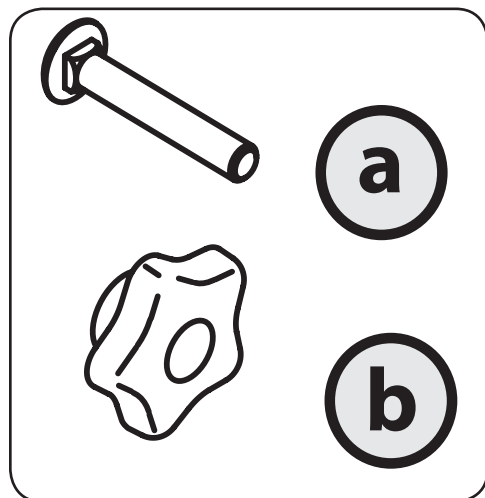


Figura 2-1

2. Coloque la manija superior sobre la inferior, alineando los orificios superiores/las lengüetas de metal de la manija superior con los orificios superiores/orificios inferiores de la manija inferior. Sujete la manija superior a la manija inferior con los pernos de carro (a) y las perillas en estrella (b) extraídos en el paso 1. Consulte la Figura 2-2.



Figura 2-2

Configuración

Accesorio del canal de descarga

Con su soplador con tobera de barrido se incluye un accesorio del canal, para el uso opcional, que permite redireccionar el flujo de aire en un ángulo de 90 grados durante el funcionamiento. Consulte Colocación del accesorio del canal en la sección controles y funcionamiento.

Procedimiento para agregar aceite

Consulte el Manual del Operador del Motor para obtener información sobre cómo cargar y controlar el aceite.



PRECAUCIÓN: Controle siempre el nivel de aceite del motor antes de cada uso según se indica en el manual de funcionamiento del motor. Agregue aceite según sea necesario. De no hacerlo se pueden producir daños graves al motor.

Carga de combustible

Consulte el Manual del Operador del Motor para obtener información sobre cómo cargar combustible.



¡ADVERTENCIA! Tenga mucho cuidado al trabajar con gasolina. La gasolina es sumamente inflamable y sus vapores pueden causar explosiones. Nunca agregue combustible a la máquina en espacios cerrados ni mientras el motor está caliente o funcionando. Apague los cigarrillos, cigarros, pipas y otras fuentes de combustión.

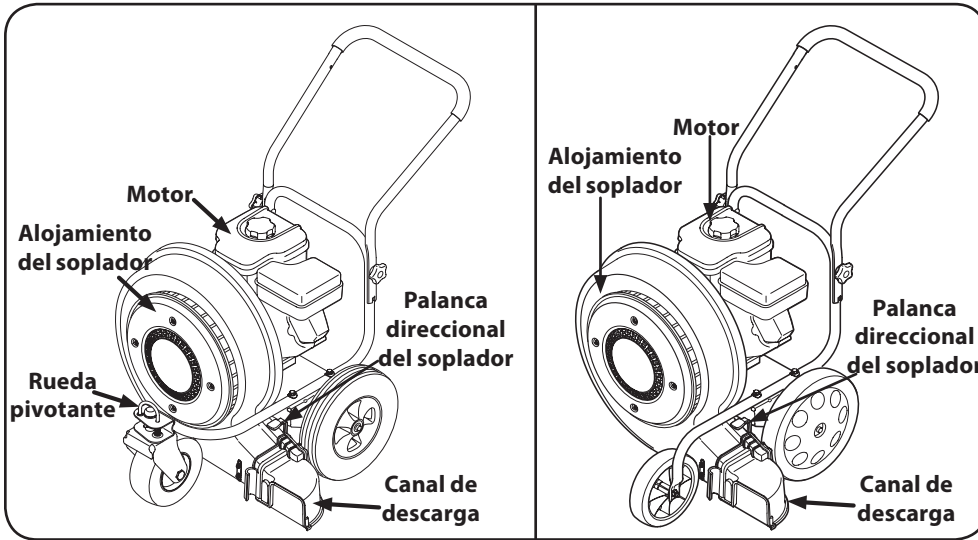


Figura 3-1

Controles



¡ADVERTENCIA! Lea y cumpla todas las normas de seguridad y las instrucciones de este manual antes de intentar operar esta máquina. Si no se respetan todas las normas e instrucciones de seguridad se pueden provocar lesiones.

Motor

Consulte el Manual del Propietario del motor para obtener información sobre todos los controles y características relacionados con el motor.

Rueda pivotante (si está incluida)

La rueda pivotante delantera puede girar libremente o puede ser bloqueada en posición hacia delante. Consulte la sección Bloqueo de la rueda pivotante.

Canal de descarga

El canal de descarga está ubicado del lado izquierdo de la tobera de barrido y dirige el flujo de aire.

Palanca direccional del soplador

El flujo de aire puede ser orientado en una de las tres direcciones utilizando la palanca direccional del soplador para reubicar las aletas.



¡ADVERTENCIA! No permanezca parado frente al área de descarga.

Funcionamiento

Arranque y detención del motor

Consulte el Manual del Operador del motor para obtener instrucciones sobre cómo arrancar y parar el motor.

Ajuste de la dirección del soplador

El flujo de aire puede ser direccionado en una de las tres direcciones utilizando la palanca direccional del soplador para mover las aletas.

NOTA: La palanca de dirección del soplador debe estar en la posición intermedia cuando se opera el soplador con el accesorio del canal para mantenerlo fijo en su lugar.

1. Tire de la palanca hacia afuera del soplador. Consulte la Figura 3-2.

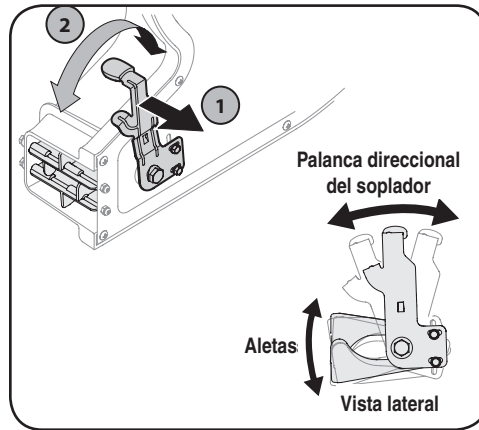


Figura 3-2

2. Mueva la palanca hacia la izquierda para direccionar el flujo de aire hacia abajo o hacia la derecha para direccionar el flujo de aire hacia arriba. Consulte la Figura 3-3.



Figura 3-3

3. Libere la palanca hacia el soplador, asegurándose de que se asegura en su lugar.



¡ADVERTENCIA! Cuando opere el soplador tenga precaución. No permita que la descarga esté orientada hacia los transeúntes o mascotas.

Colocación del accesorio del canal



¡ADVERTENCIA! NO haga funcionar la máquina sin los escudos de seguridad y las protecciones (por ejemplo, canal de descarga, protector de la toma de aire) en su lugar.

4. Gire la palanca direccional del soplador totalmente hacia la derecha, hasta la posición más elevada. Consulte la Figura 3-4.

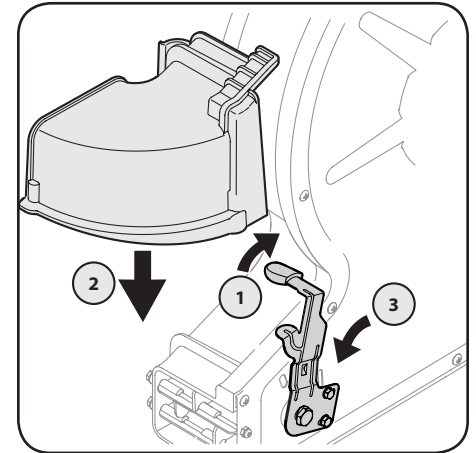


Figura 3-4

5. Deslice el accesorio del canal hacia abajo, por encima de la abertura.
6. Gire la palanca direccional del soplador hasta la posición media para trabar el accesorio del canal en su lugar. Consulte la Figura 3-4.
7. Para quitar el accesorio del canal, primero repita el paso 1 y levante el accesorio del canal hacia arriba y fuera del canal.



¡ADVERTENCIA! Mientras la máquina está en funcionamiento, mantenga las manos fuera de las aberturas de entrada y de descarga. En el interior, hay cuchillas giratorias.

Bloqueo de la rueda pivotante (si está incluida)

8. Para bloquear la rueda pivotante, levante el pasador de bloqueo y gírelo hacia atrás para ponerlo en el agujero más grande. Consulte la Figura 3-5.

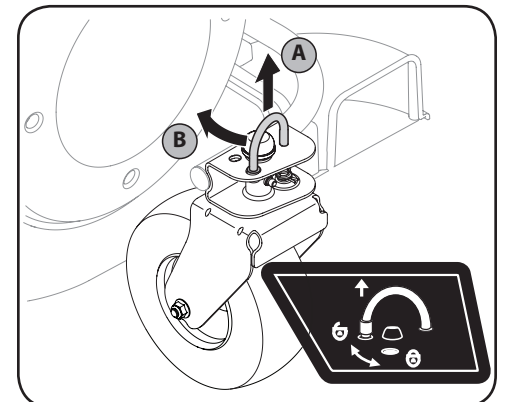


Figura 3-5

9. Para desbloquear la rueda pivotante, levante el pasador de bloqueo y gírelo hacia delante para ponerlo en el agujero más pequeño. Consulte la Figura 3-5.

Mantenimiento



¡ADVERTENCIA! Antes de llevar a cabo tareas de mantenimiento o reparaciones, detenga siempre el motor.

MOTOR

Consulte las instrucciones y procedimientos de mantenimiento del motor en el Manual del Operador del motor.

NOTA: El mantenimiento, reparación o reemplazo de los dispositivos y sistemas del control de emisiones corre por cuenta del cliente. Comuníquese con un distribuidor de servicio autorizado.

Limpeza del soplador

Si se derrama combustible o aceite sobre la máquina, debe limpiarse de inmediato. NO permita que se acumulen desechos alrededor de las aletas de refrigeración del motor, la zona de entrada de aire del ventilador ni en ninguna otra parte de la máquina.



¡ADVERTENCIA! Si el motor ha estado en funcionamiento recientemente, el motor, el silenciador y las superficies metálicas circundantes estarán calientes y pueden causar quemaduras en la piel. Tenga precaución para evitar quemaduras.

Lubricación



¡ADVERTENCIA! Antes de realizar tareas de lubricación, reparación o inspección, detenga siempre el motor.

Ruedas

Lubrique los ejes traseros y delanteros con un lubricante en aerosol una vez cada temporada.

Solución de problemas

Problema	Causa	Solución
Vibración o ruido excesivos	<ol style="list-style-type: none"> 1. Piezas sueltas. 2. Impulsor dañado. 3. Escombros en la carcasa 	<ol style="list-style-type: none"> 1. Apriete todos los sujetadores. 2. Comuníquese con un distribuidor de servicio autorizado. 3. Comuníquese con un distribuidor de servicio autorizado.