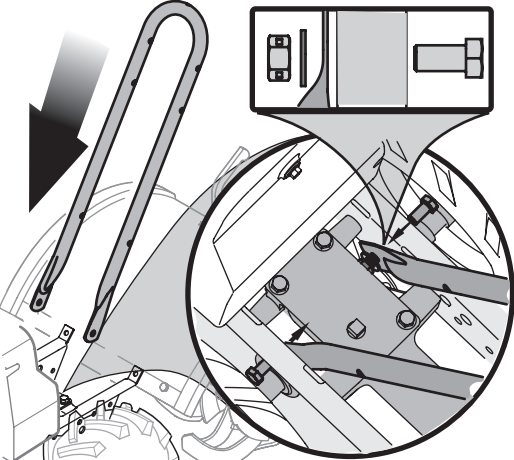


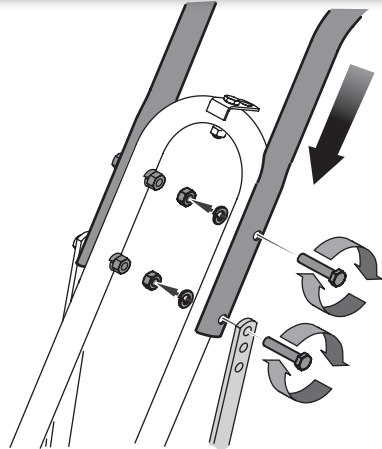
Read and understand all instruction, warning and danger labels.

**1**

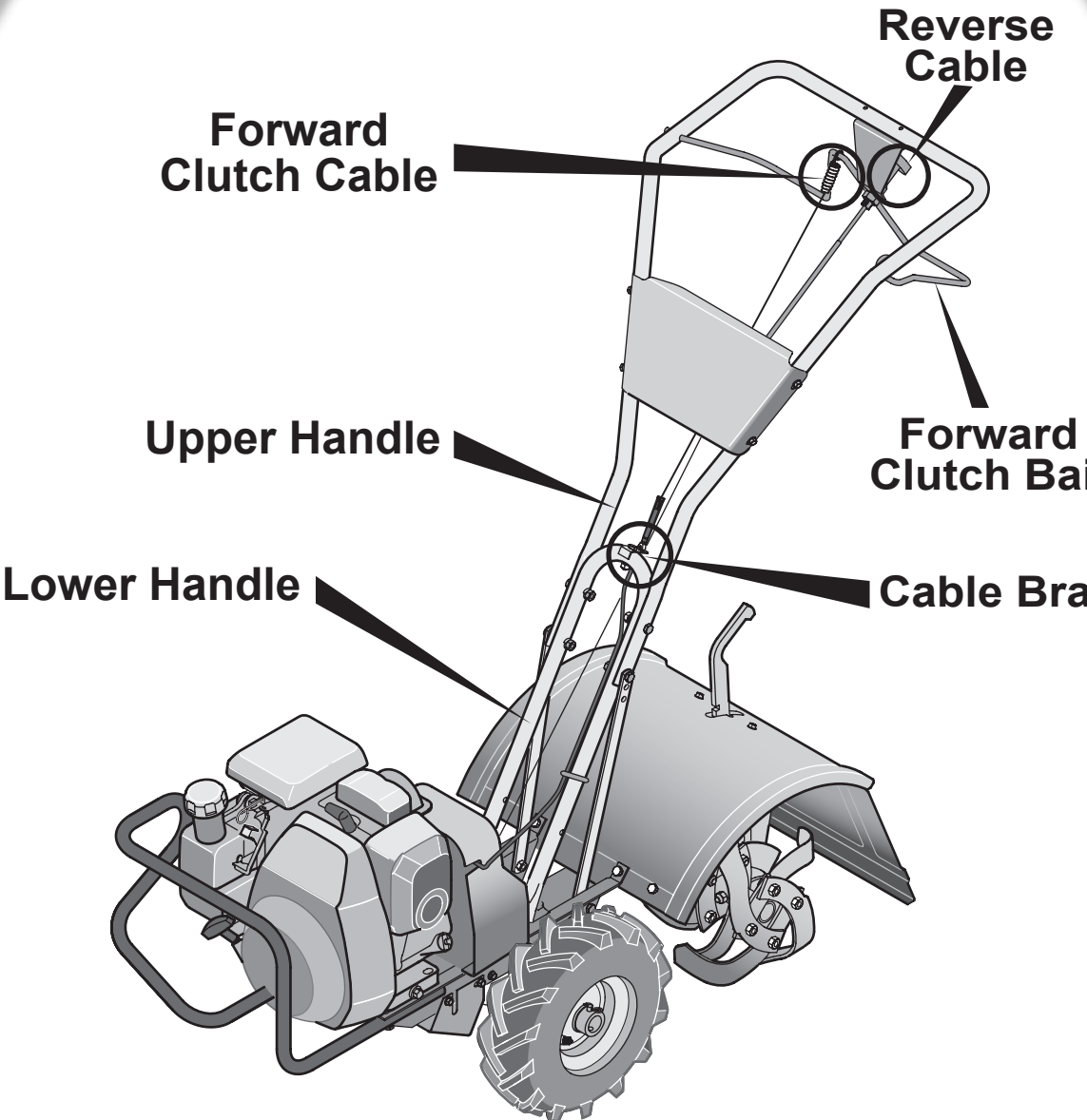


Remove bolts from lower handle and attach handle to frame. Do not tighten hardware.

**2**



Remove hardware from upper handle and attach upper handle to lower handle as shown using hardware removed. **Tighten ALL hardware in Step 1 and Step 2.**



Forward Clutch Cable

Reverse Cable

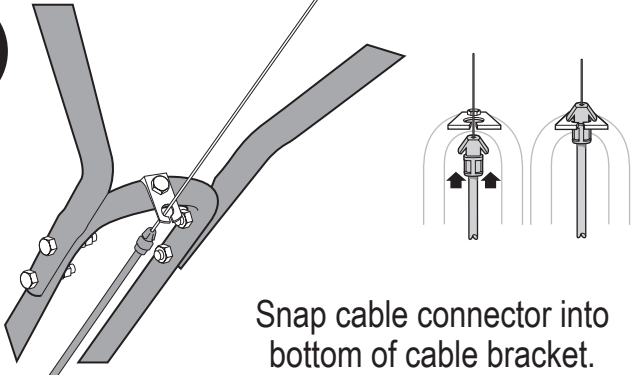
Upper Handle

Forward Clutch Bail

Lower Handle

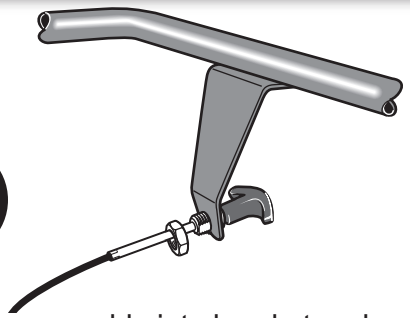
Cable Bracket

**3**



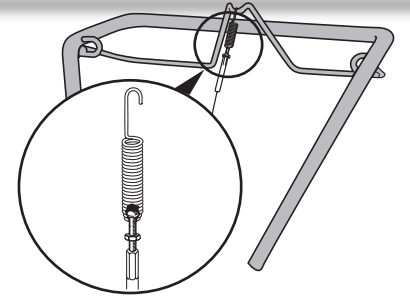
Snap cable connector into bottom of cable bracket.

**4**



Slide reverse cable into bracket and position threads as shown. Tighten jam nut to secure cable to bracket.

**5**

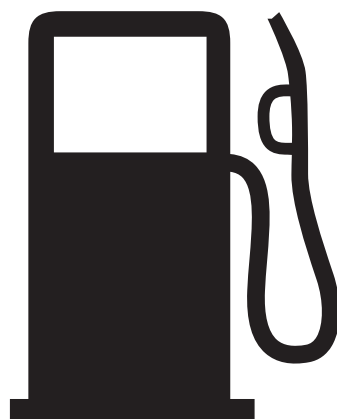


Thread end of cable onto screw attached to control lever. Refer to manual to adjust tension *before* tightening jam nut



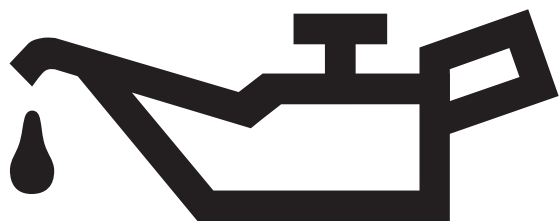
Read and understand all instruction, warning and danger labels.

6

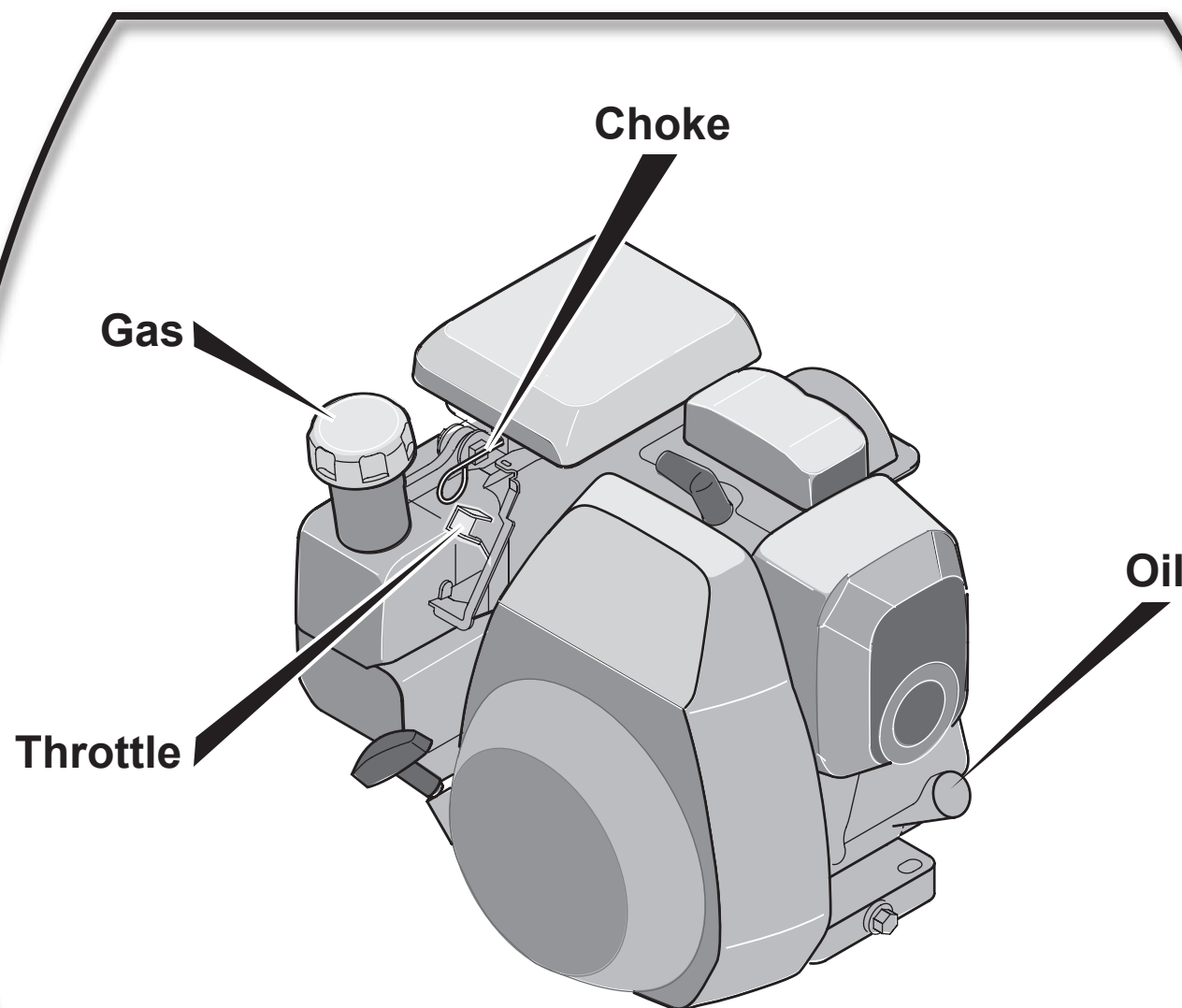


Fill tank with gas to within 1/2 inch of top of tank.

7



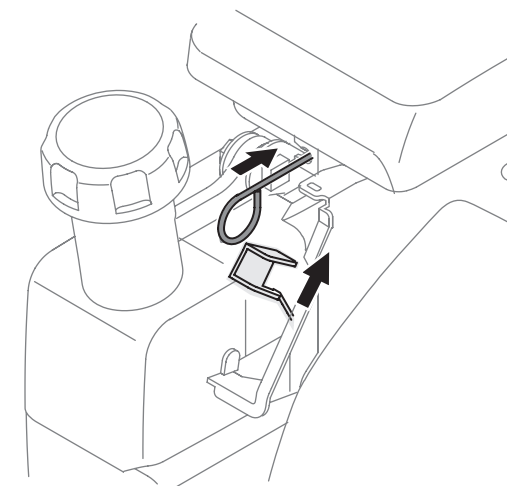
Fill engine with entire contents of oil bottle supplied with your mower.



Need Help?

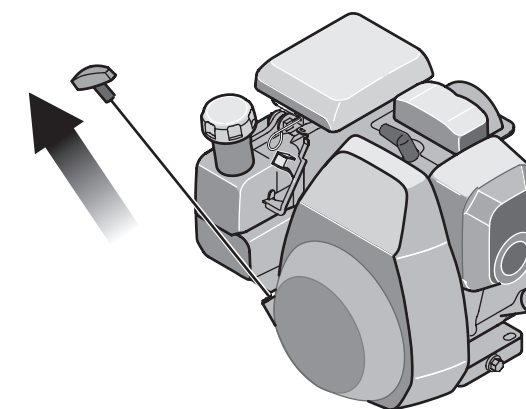
**Call 1-888-TO-HELP-U**  
(1-888-864-3578)

8



Slide choke lever to full *choke* position and put throttle in *rabbit* (fast) position.

9



Pull starter rope with quick, full arm stroke. (It may take more than one pull to start cold engine.) Once started, slide choke lever to off.



**IMPORTANT: READ OPERATOR'S MANUAL THOROUGHLY AND FOLLOW THE SAFE OPERATION PRACTICES BEFORE OPERATING .**

