

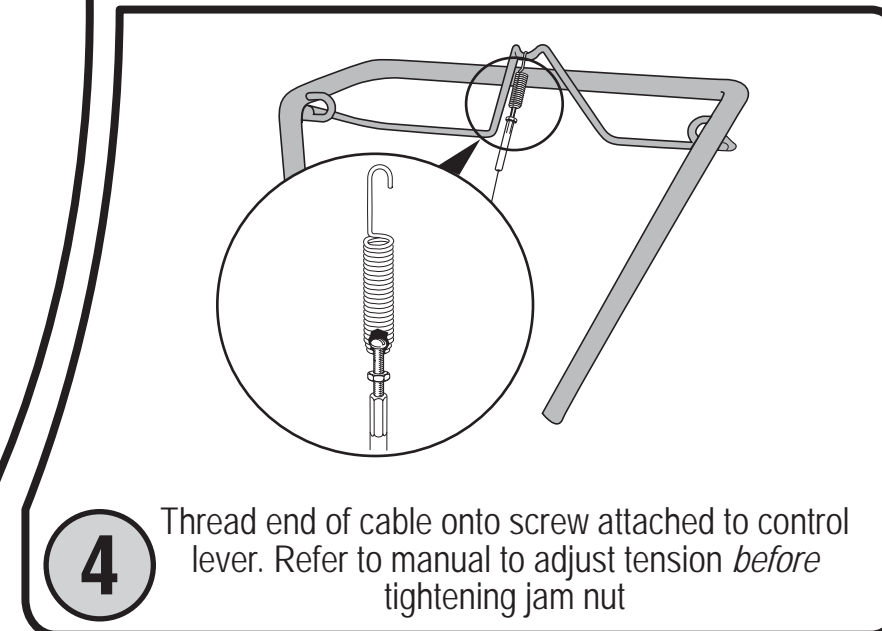
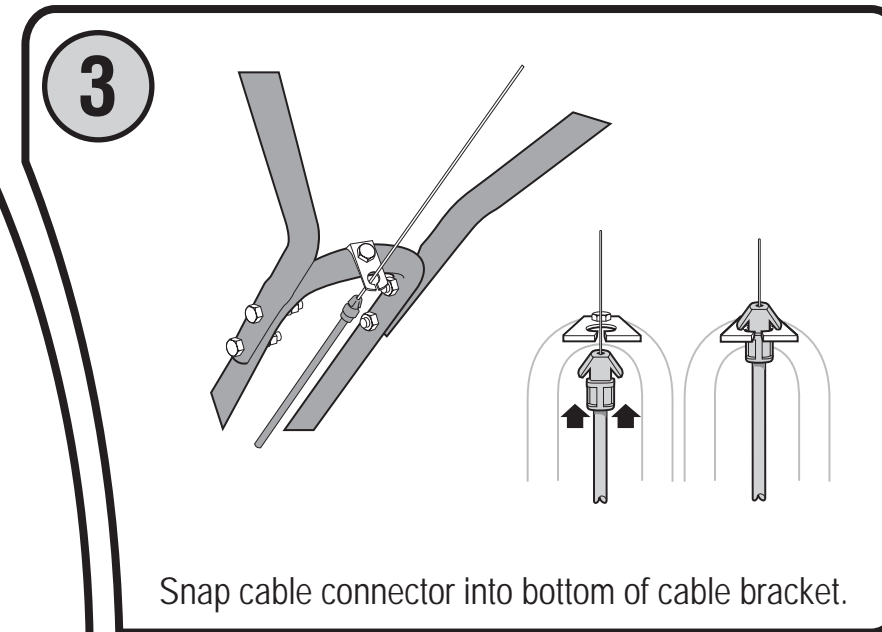
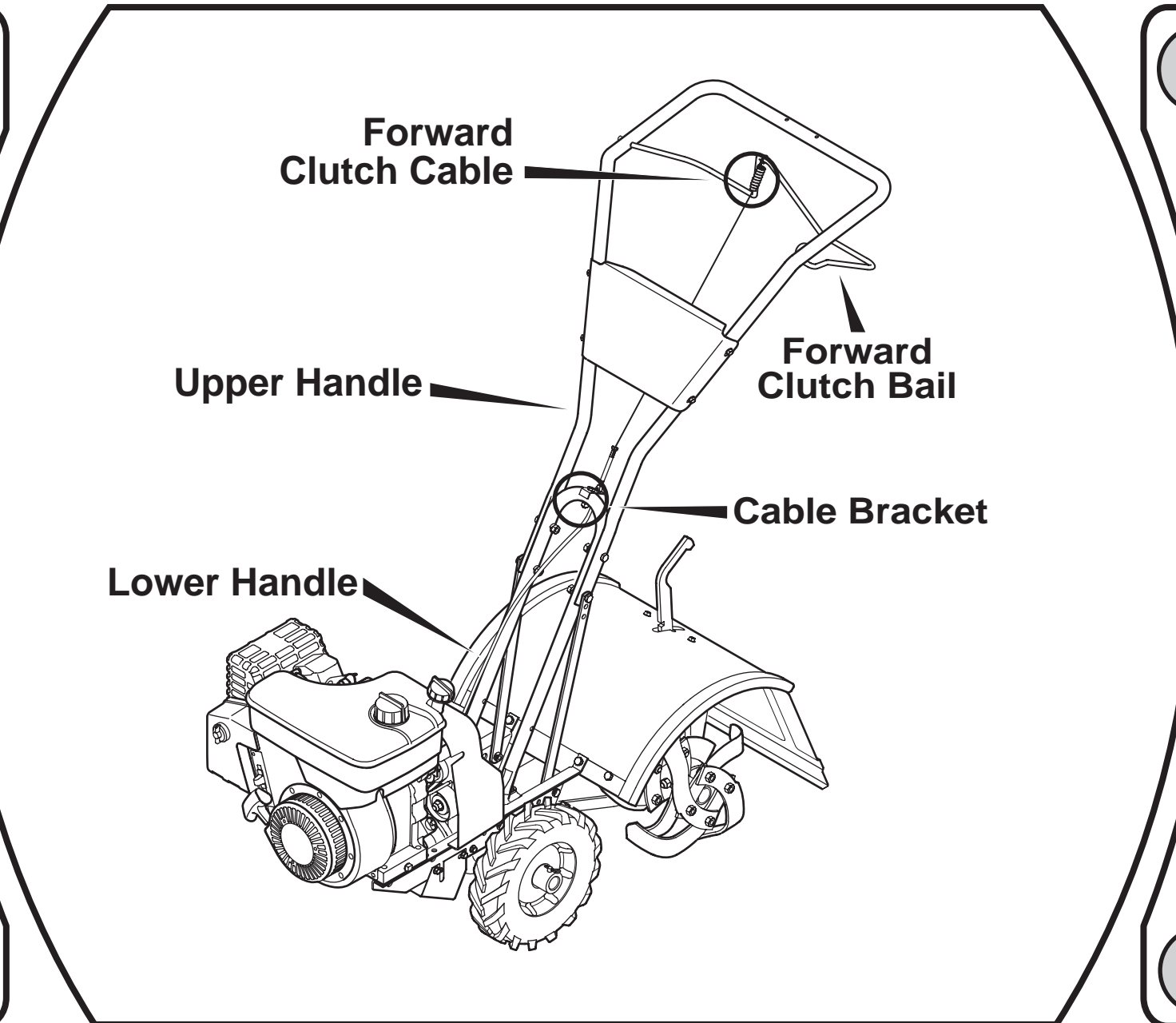
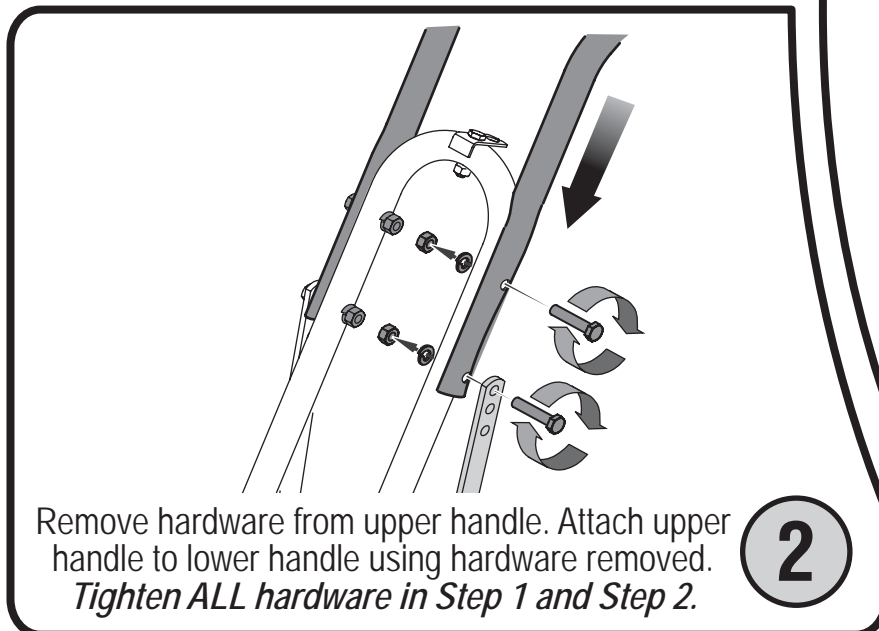
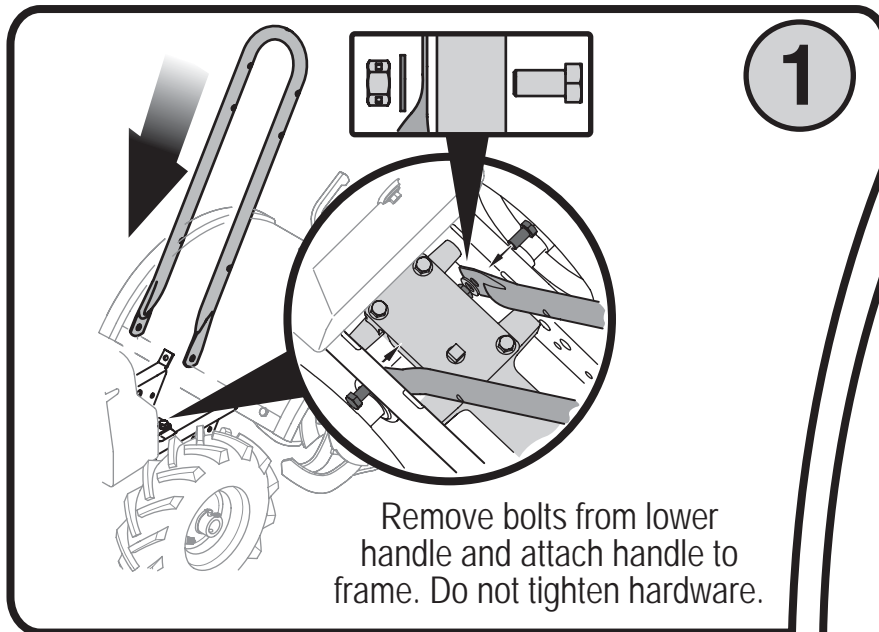
# FAST START

GUIDE

# FAST START

GUIDE

Read and understand all instruction, warning, and danger labels.  
Lea el manual de operación anexo sobre ensamblaje e inicio.



# **FAST START**

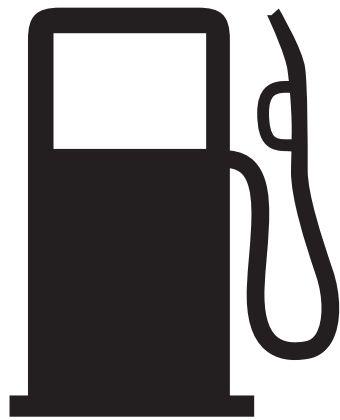
**GUIDE**

# **FAST START**

**GUIDE**

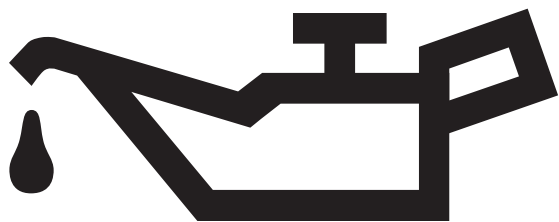
Read and understand all instruction, warning, and danger labels.  
Lea el manual de operación anexo sobre ensamblaje e inicio.

**5**

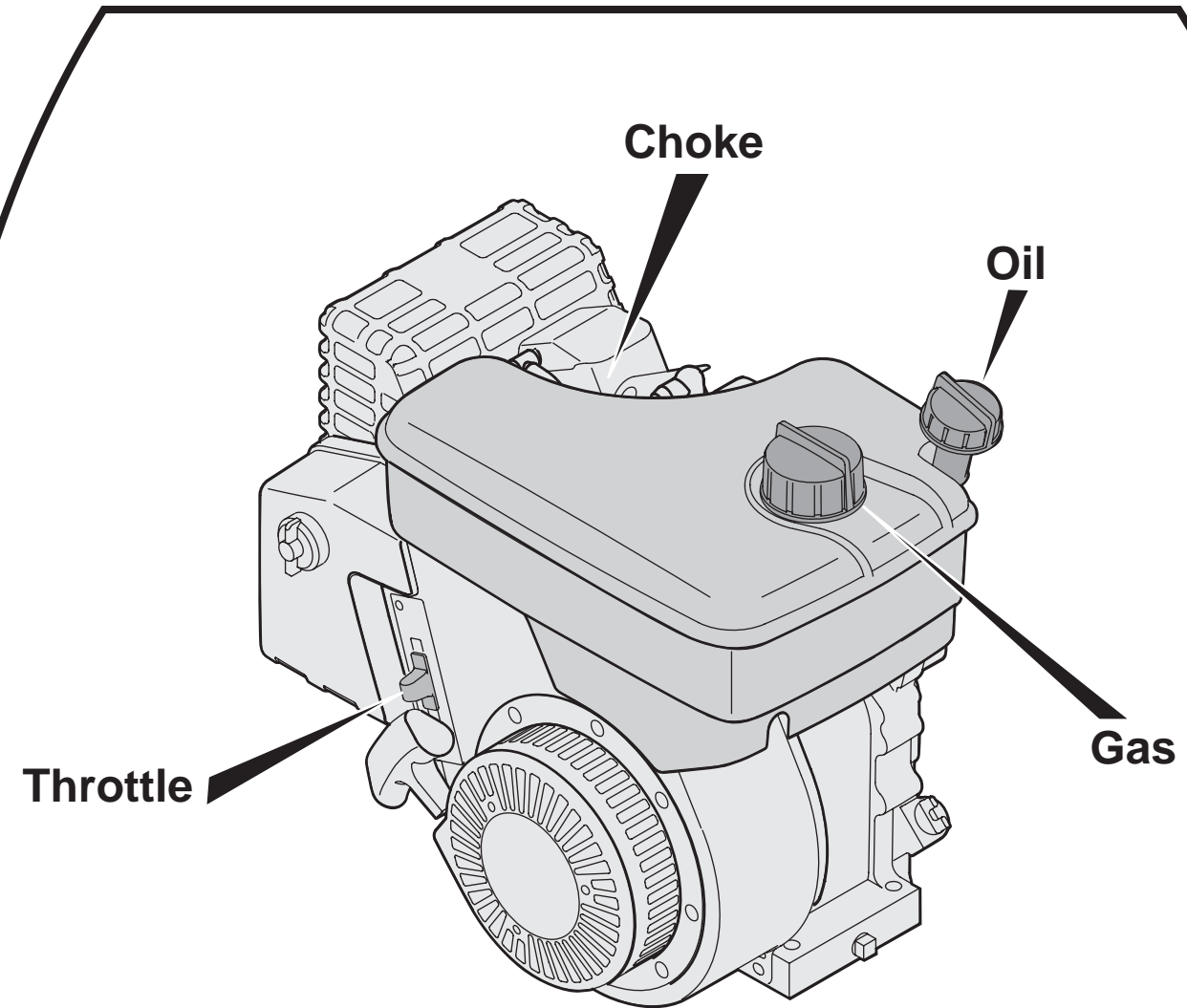


Fill tank with gas to within 1/2 inch of top of tank.

**6**



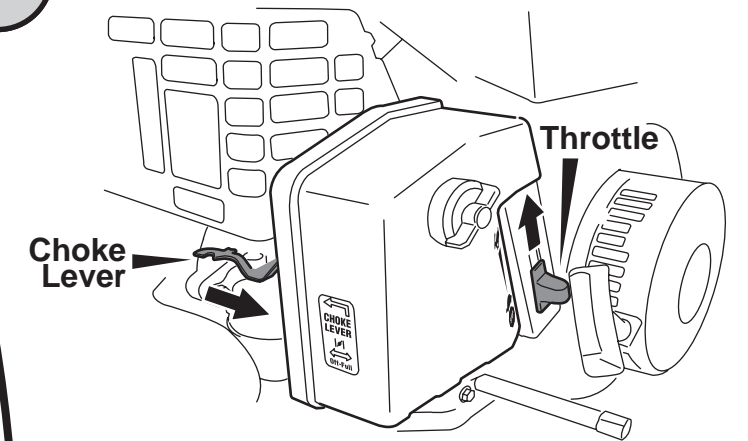
Fill engine with entire contents of oil bottle supplied with your tiller.



Need Help?

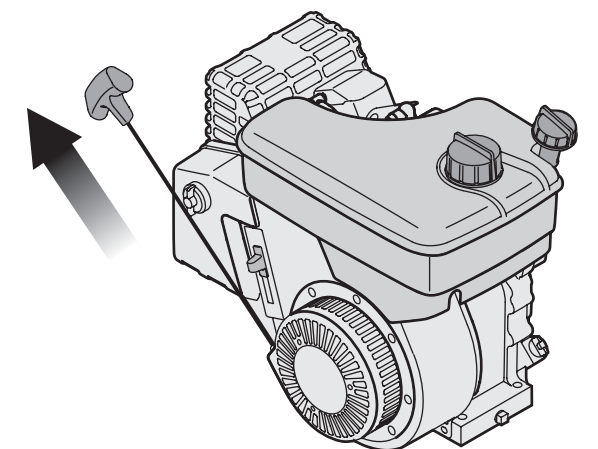
Call **1-888-TO-HELP-U**  
(1-888-864-3578)

**7**



Slide choke lever to full choke position and place throttle in rabbit (fast) position.

**8**



Pull starter rope with quick, full arm stroke.  
(It may take more than one pull to start cold engine)  
Once started, slide choke lever to off.



**IMPORTANT: READ OPERATOR'S MANUAL AND ENGINE MANUAL THOROUGHLY AND FOLLOW THE SAFE OPERATION PRACTICES BEFORE OPERATING.**

