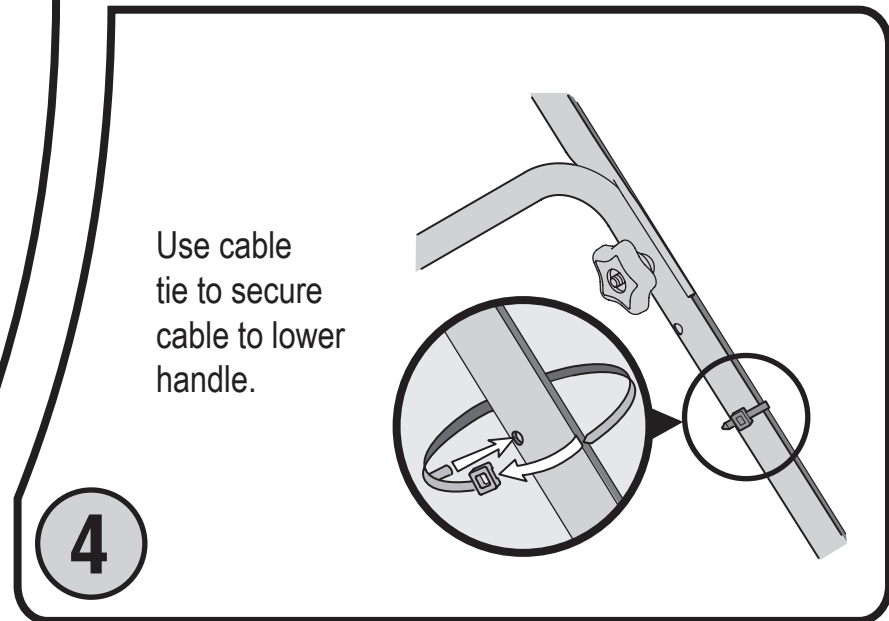
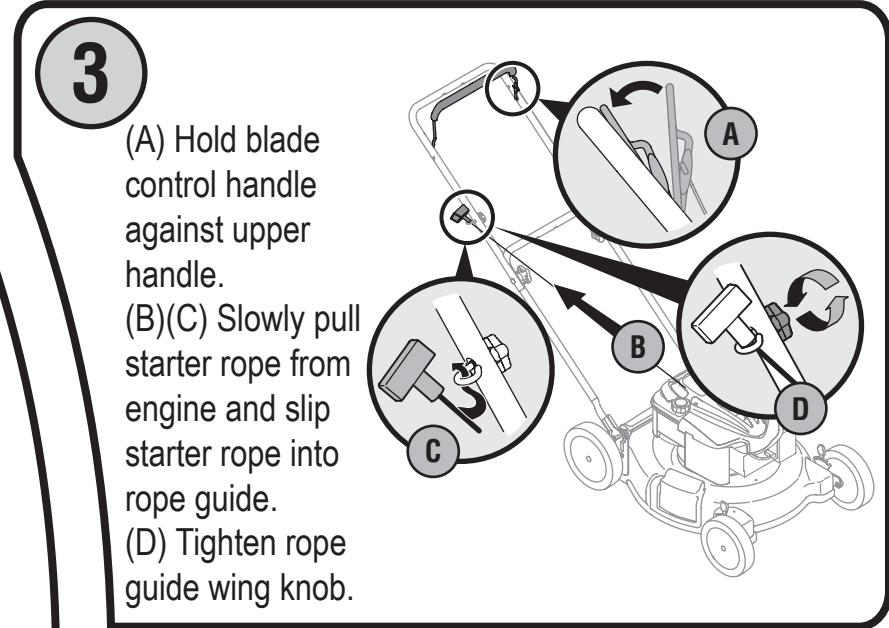
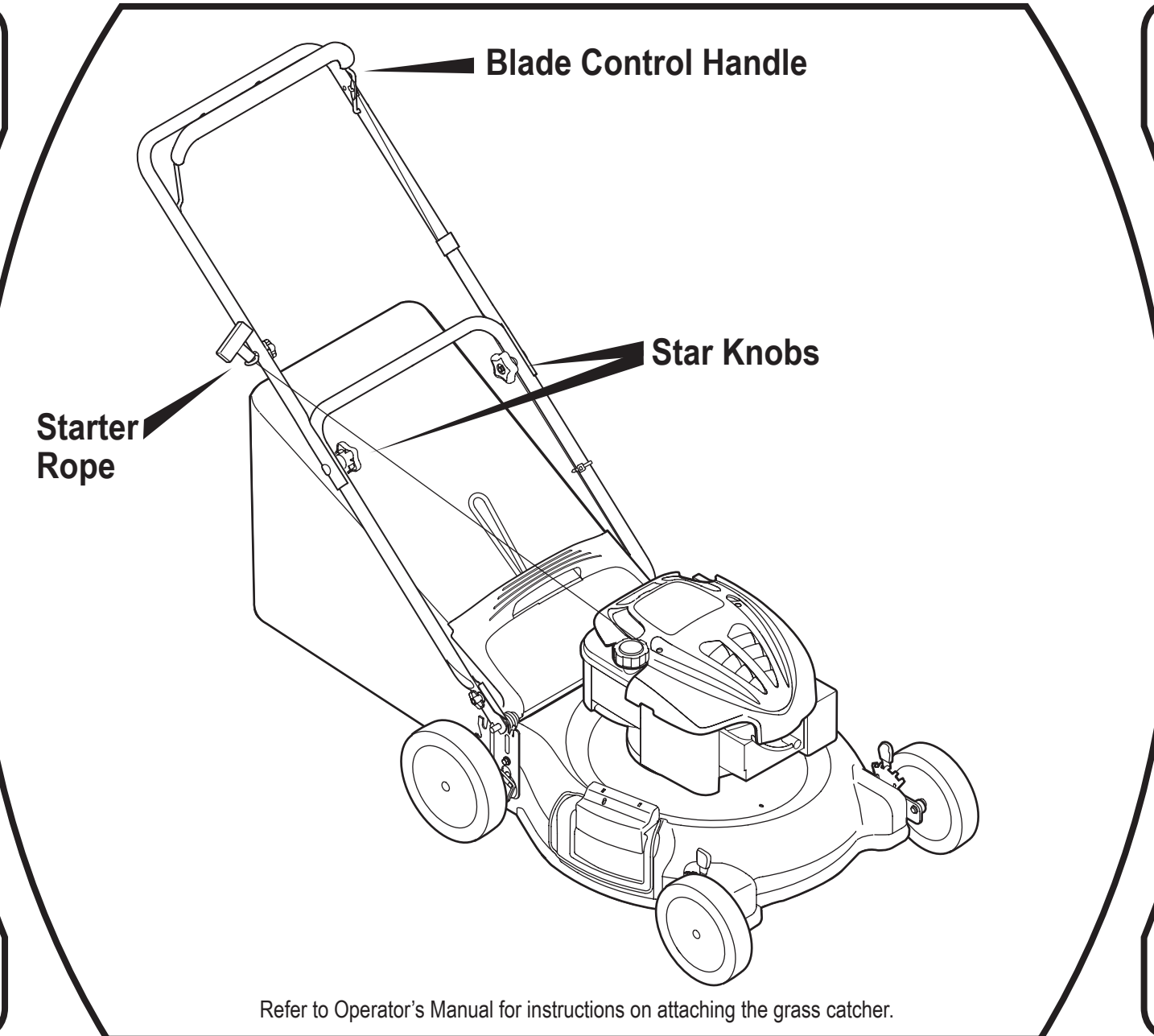
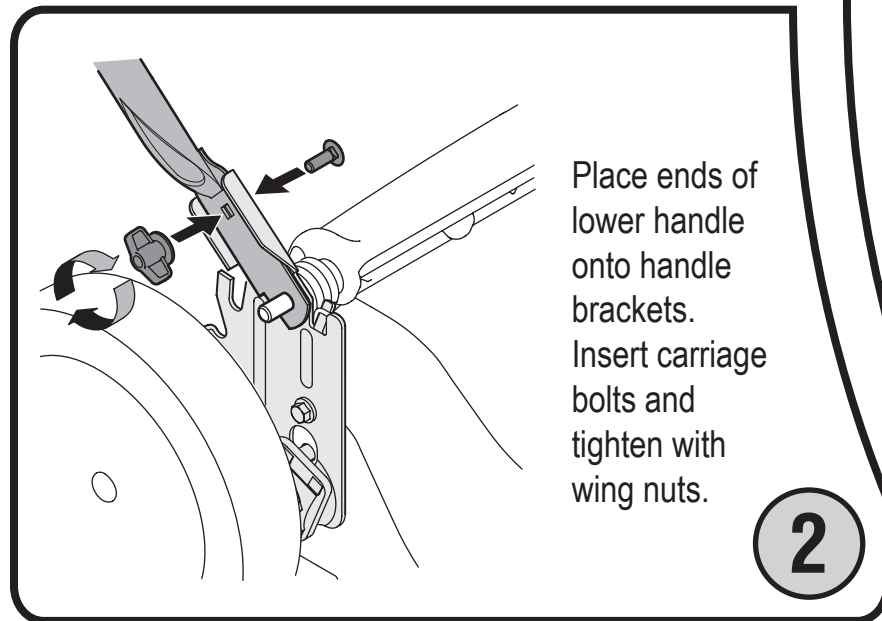
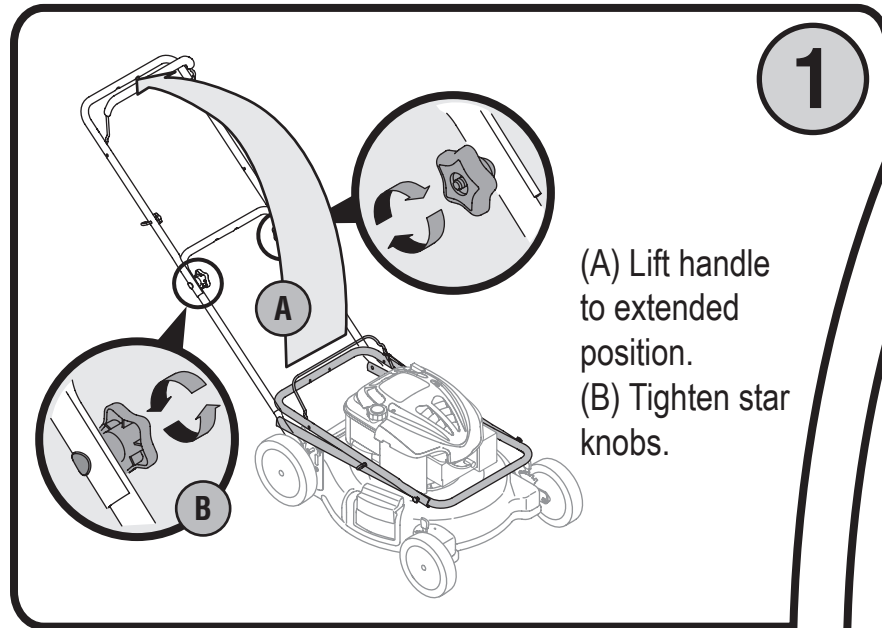
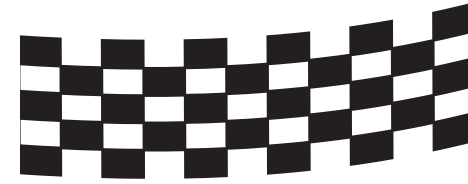
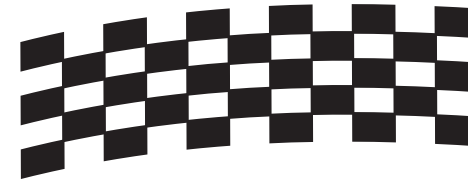
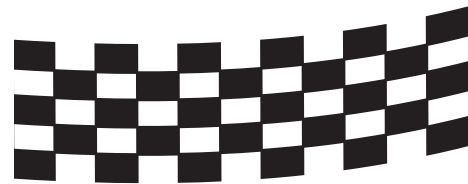
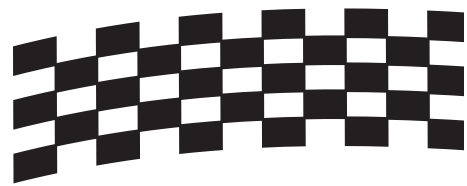


**Read and understand all instruction, warning, and danger labels.**

**Lea el manual de operación anexo sobre ensamblaje e inicio.**

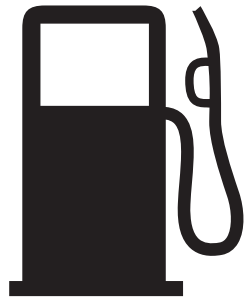




**Read and understand all instruction, warning, and danger labels.**

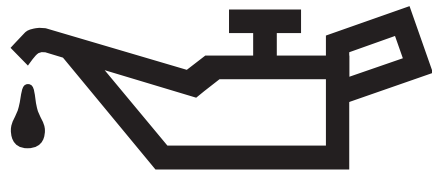
**Lea el manual de operación anexo sobre ensamblaje e inicio.**

**5**

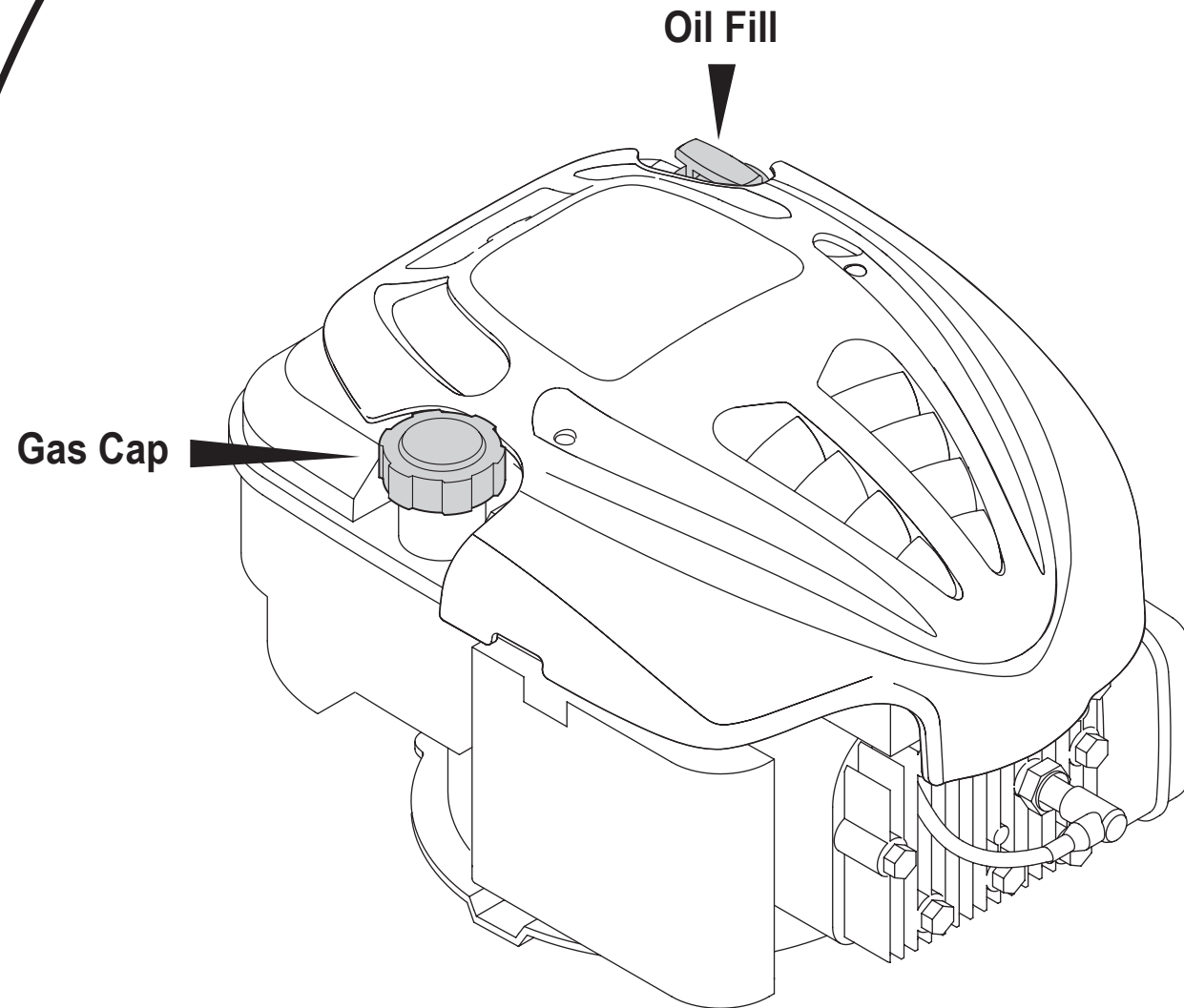


Fill tank with gas up to within 1/2-inch of top of tank. Do not overfill.

**6**



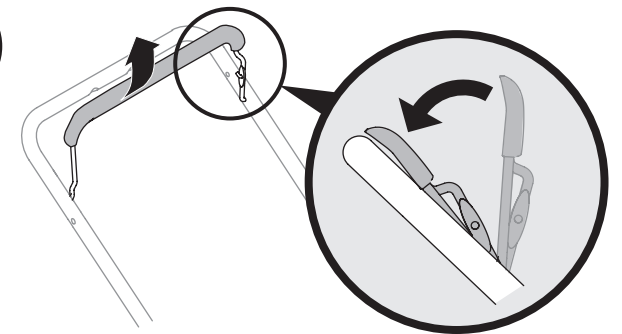
Fill engine with entire contents of oil bottle supplied. Do not overfill.



Need Help?

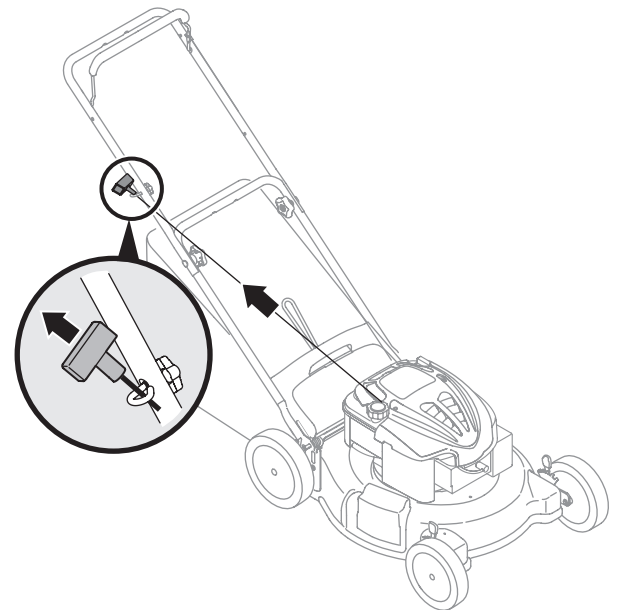
**Call 1-888-TO-HELP-U**

**7**



Depress blade control handle and hold.

**8**



Pull recoil starter with quick, full arm stroke. If engine does not start after ten seconds of repeated pulls, wait a few minutes and repeat.



**IMPORTANT: READ OPERATOR'S MANUAL AND ENGINE MANUAL THOROUGHLY AND FOLLOW THE SAFE OPERATION PRACTICES BEFORE OPERATING .**

