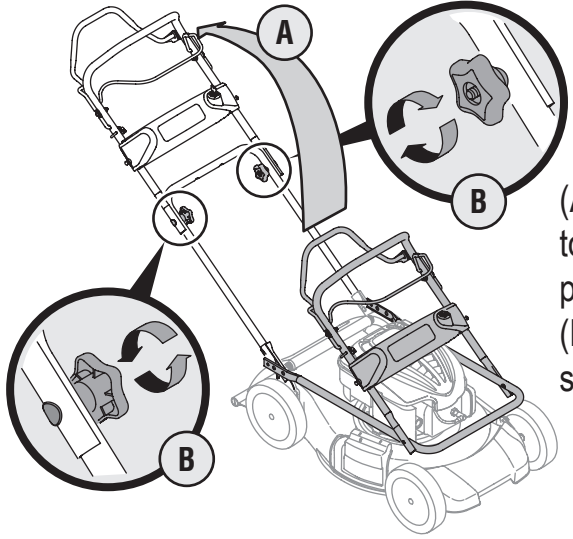


Read and understand all instruction, warning, and danger labels.

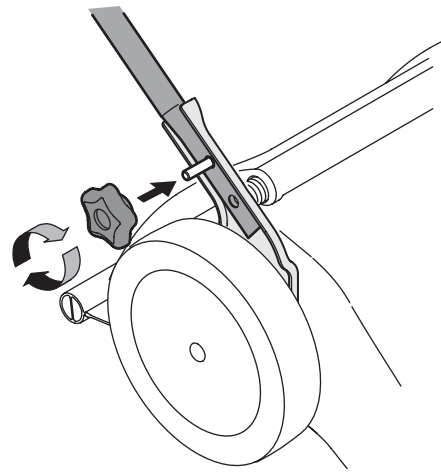
Lea el manual de operación anexo sobre ensamblaje e inicio.

1



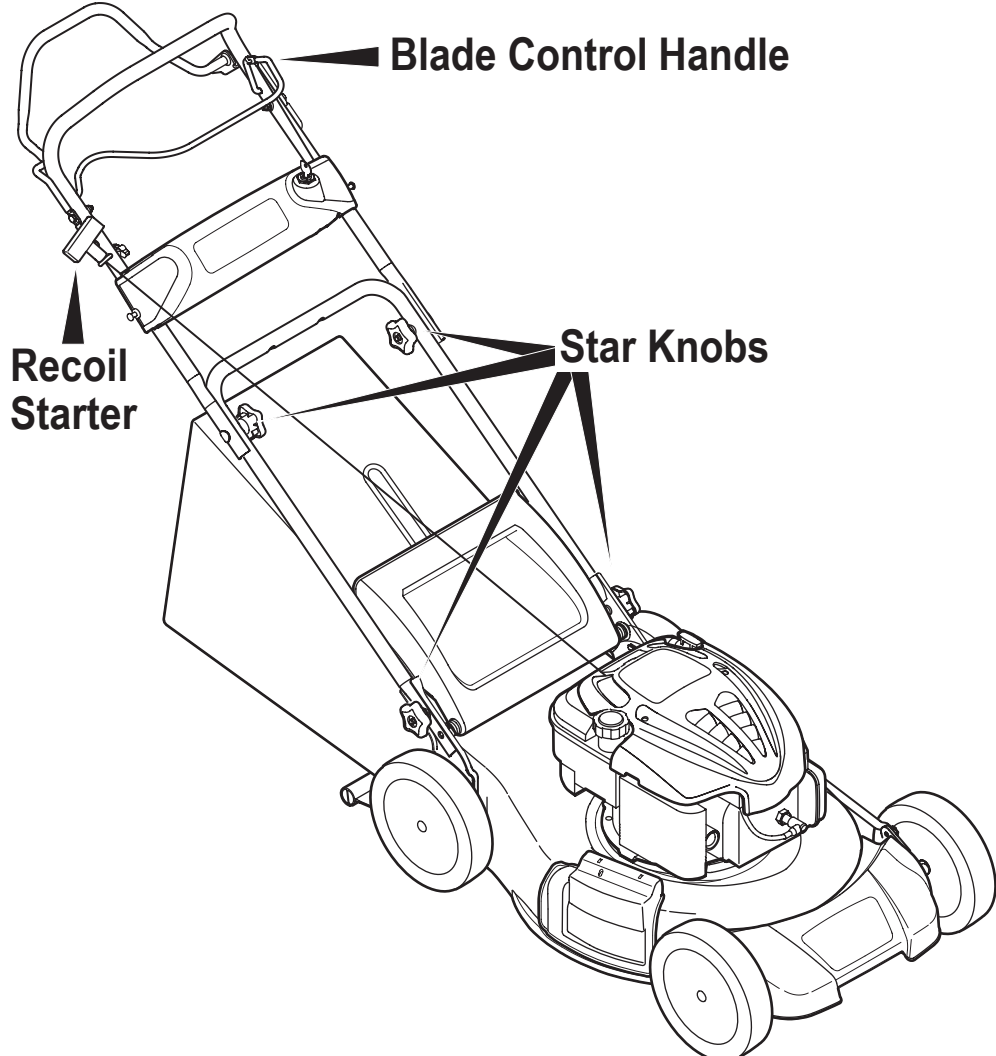
(A) Lift handle to extended position.
(B) Tighten star knobs.

2



Tighten star knobs to secure lower handle to handle brackets.

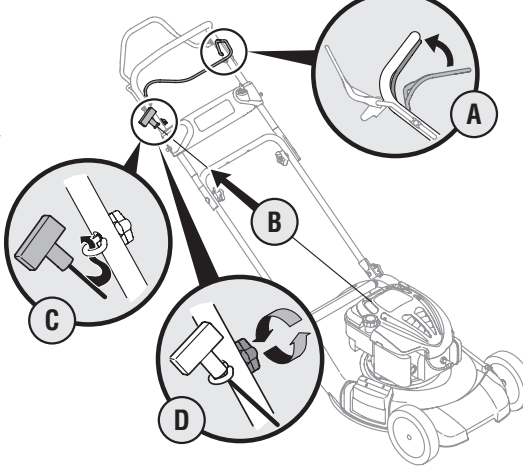
Electric start battery must be charged for 8-10 hours before initial use. Refer to Operator's Manual for charging instructions.



Blade Control Handle
Recoil Starter
Star Knobs

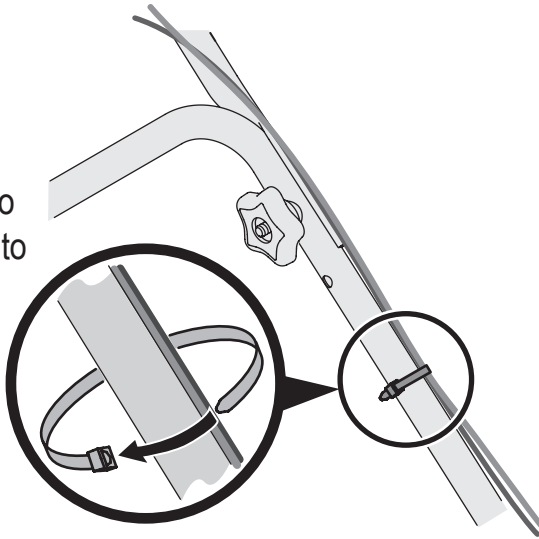
Refer to Operator's Manual for instructions on attaching the grass catcher.

3



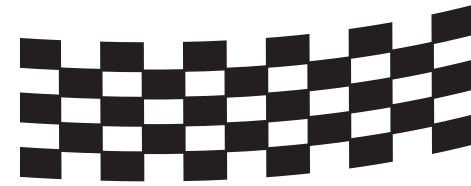
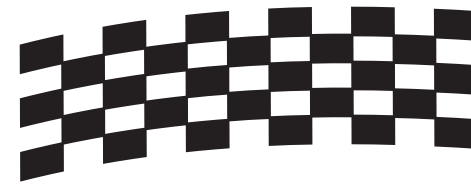
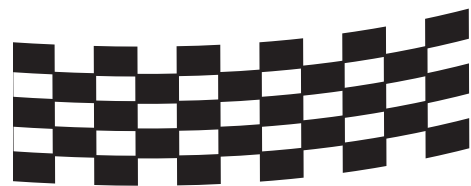
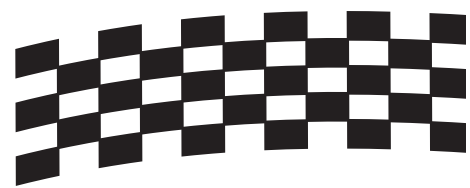
(A) Hold blade control handle against upper handle.
(B) Slowly pull starter rope from engine.
(C) Slip starter rope into rope guide.
(D) Tighten rope guide wing knob.

4



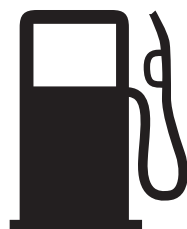
Use cable tie to secure cables to lower handle.





Read and understand all instruction, warning, and danger labels.

Lea el manual de operación anexo sobre ensamblaje e inicio.



5

Fill tank with gas up to within 1/2-inch of top of tank. Do not overfill.



6

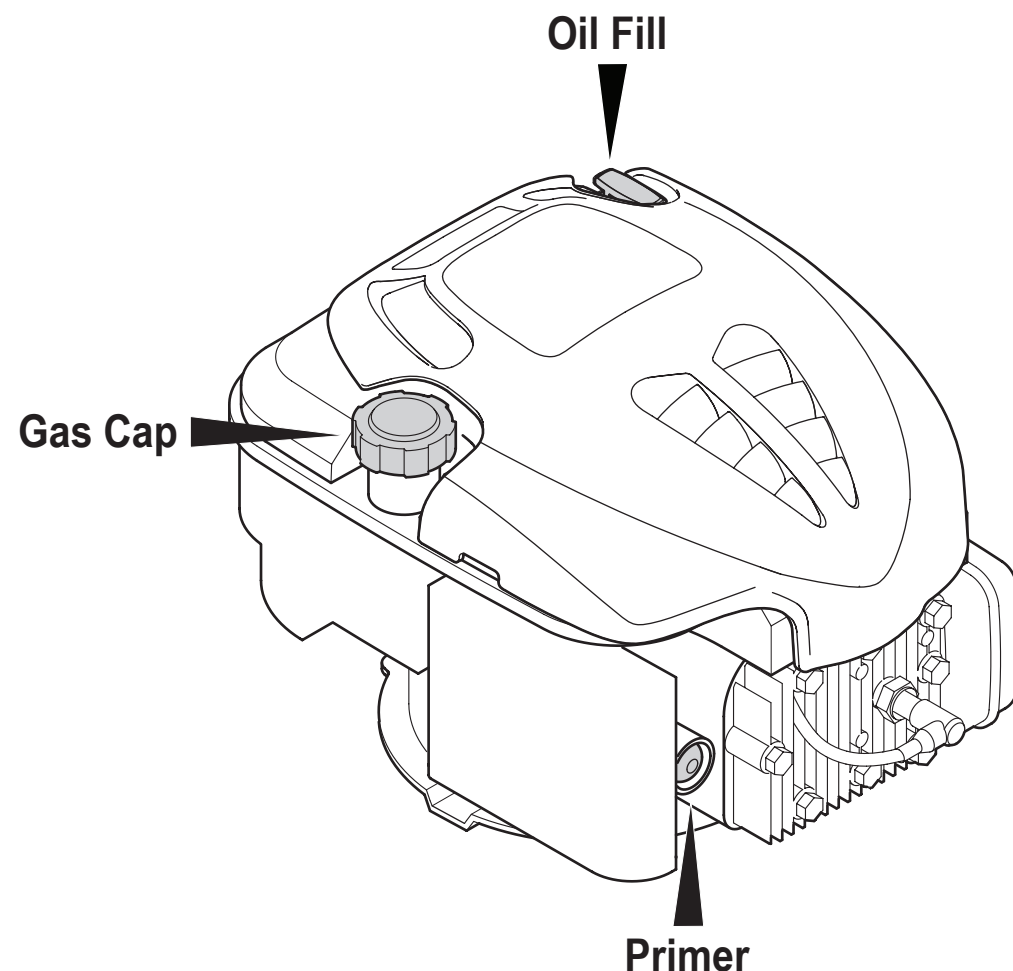
Fill engine with entire contents of oil bottle supplied. Do not overfill.

3X



7

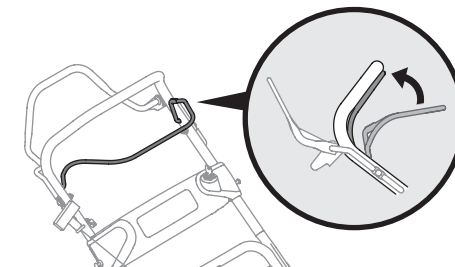
Push primer three times.



Need Help?

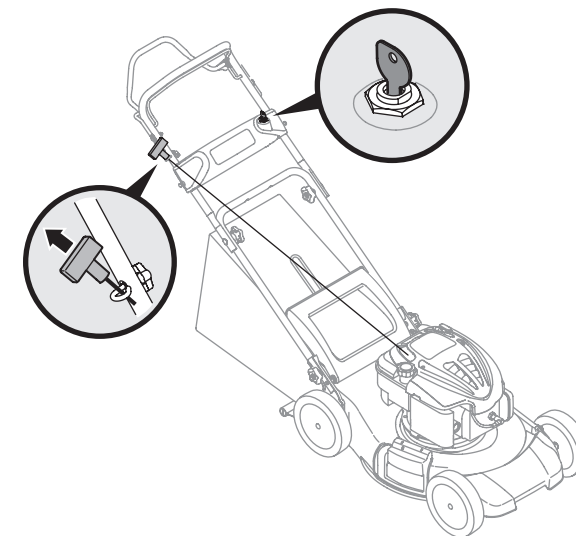
Call 1-888-TO-HELP-U

8



Depress blade control handle and hold.

Electric start battery must be charged for 8-10 hours before initial use. Refer to Operator's Manual for charging instructions.



9

If the battery **has been charged** for 8-10 hours, turn the key to start the mower. If the battery **has not been charged**, pull starter rope with quick, full arm stroke. If engine does not start after three repeated pulls, wait a few minutes and repeat steps 7 through 9.



IMPORTANT: READ OPERATOR'S MANUAL AND ENGINE MANUAL THOROUGHLY AND FOLLOW THE SAFE OPERATION PRACTICES BEFORE OPERATING .

