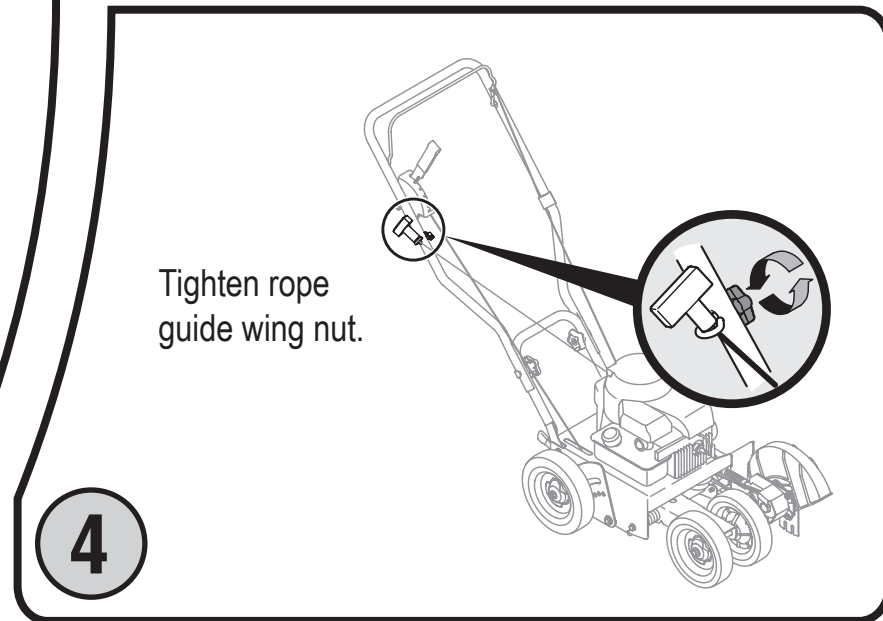
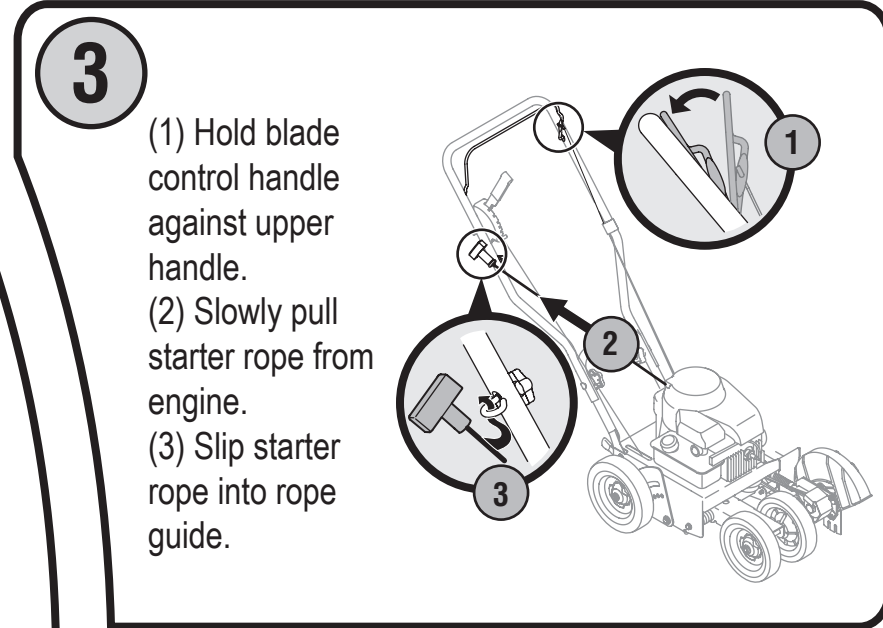
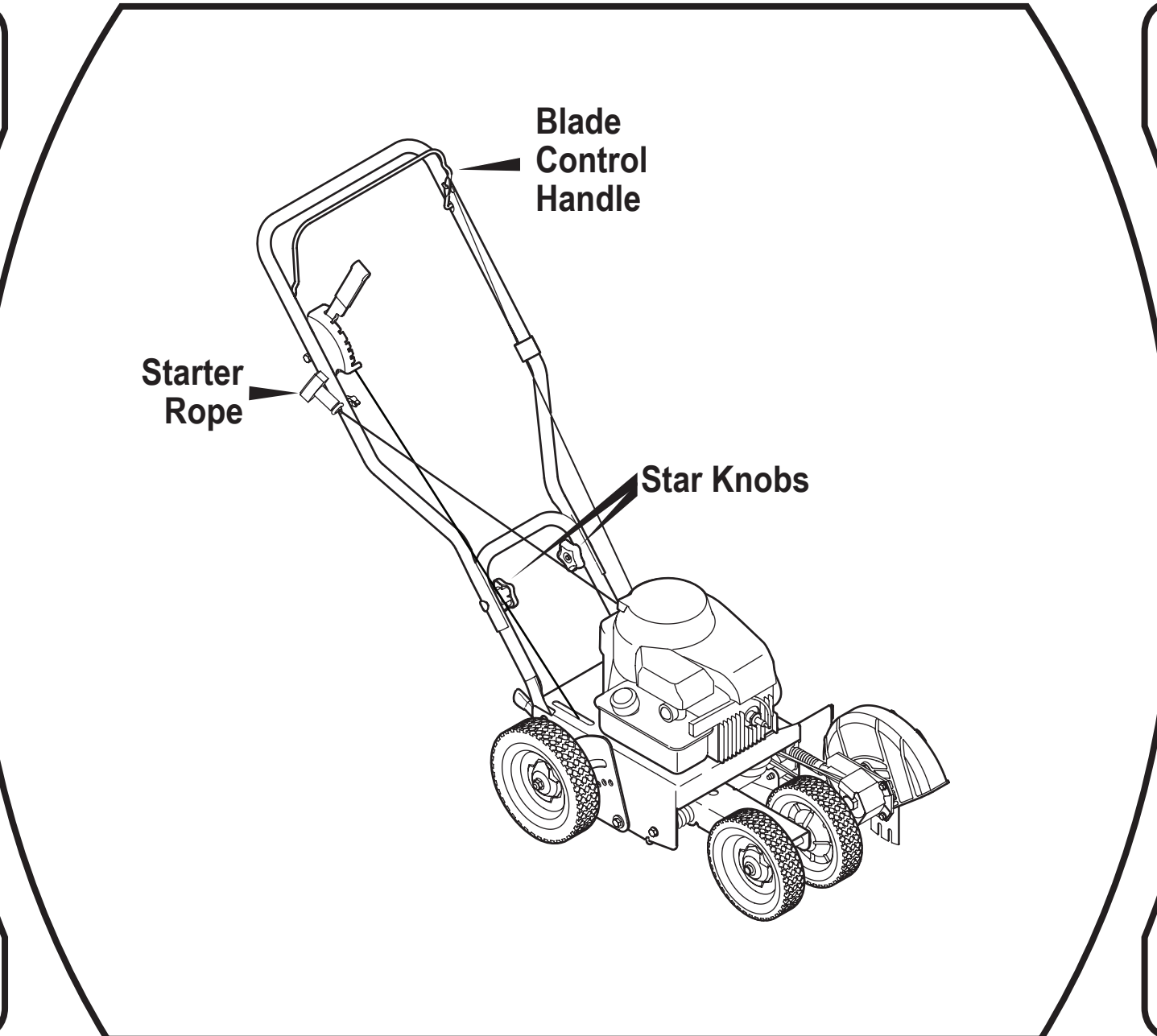
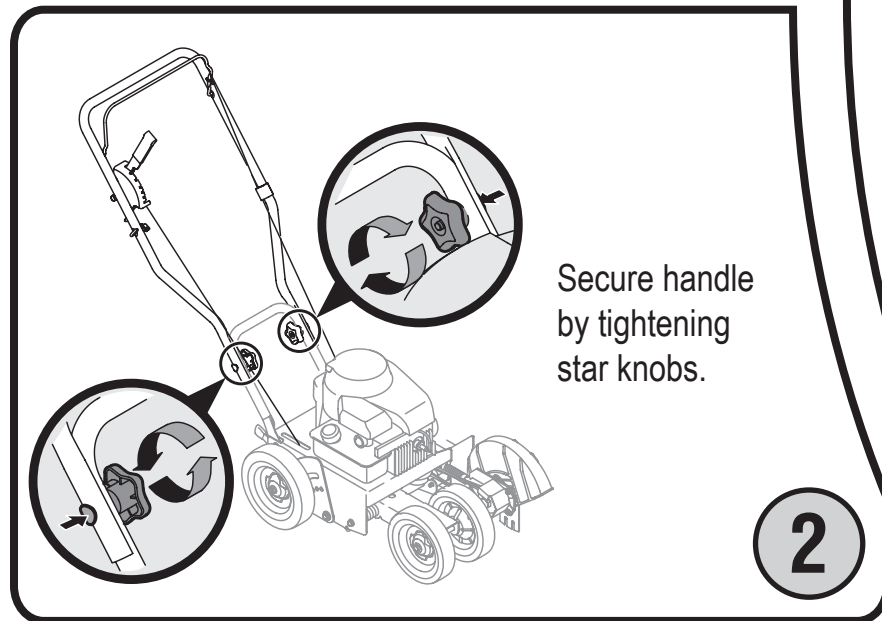
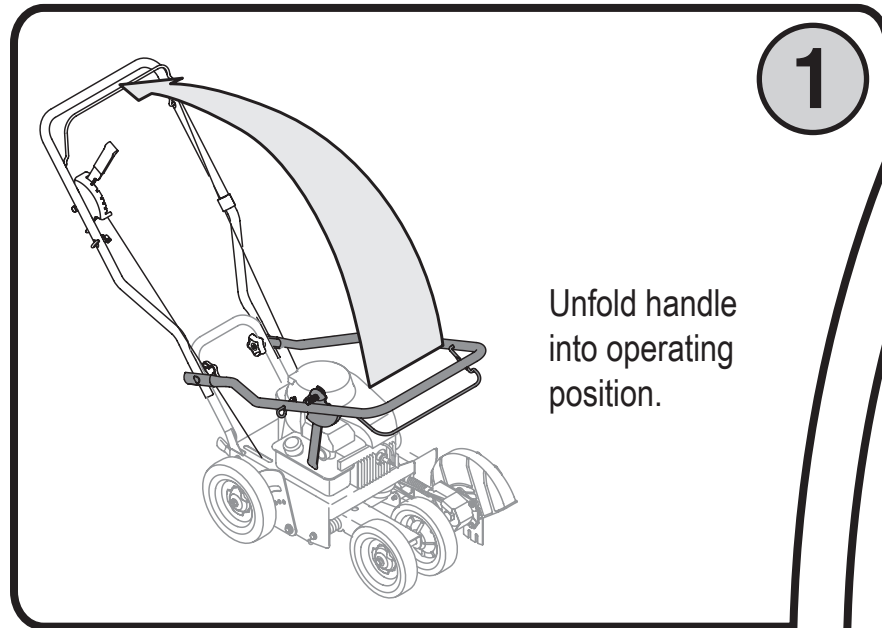
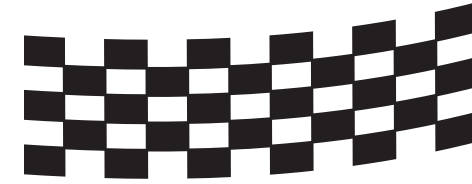
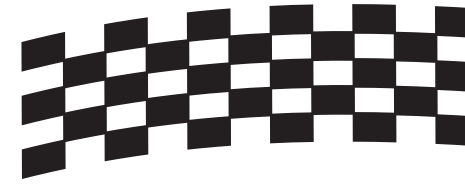
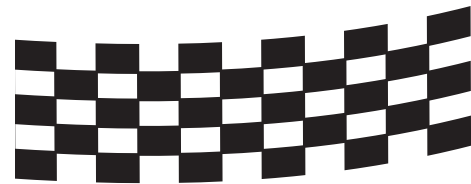
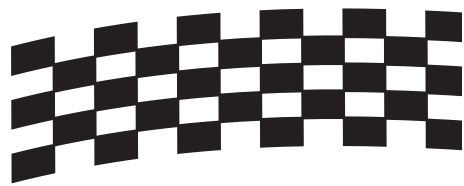


Read and understand all instruction, warning, and danger labels.

Lea el manual de operación anexo sobre ensamblaje e inicio.





Read and understand all instruction, warning, and danger labels.

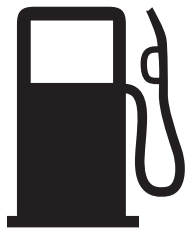
Lea el manual de operación anexo sobre ensamblaje e inicio.

5



Fill engine with entire contents of oil bottle supplied. Do not overfill.

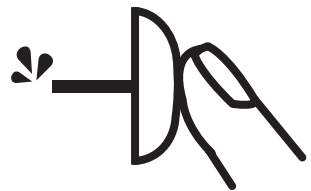
6



Fill tank with fresh gas up to within 1½ inches below top of fuel tank neck. Do not overfill.

7

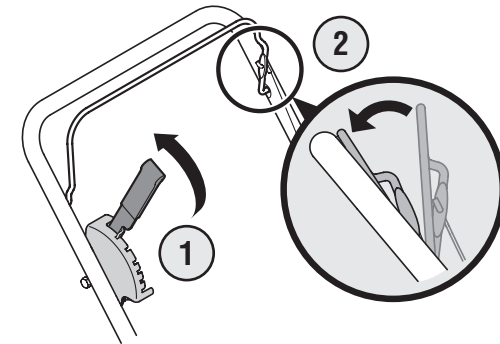
5X



Push primer five times.

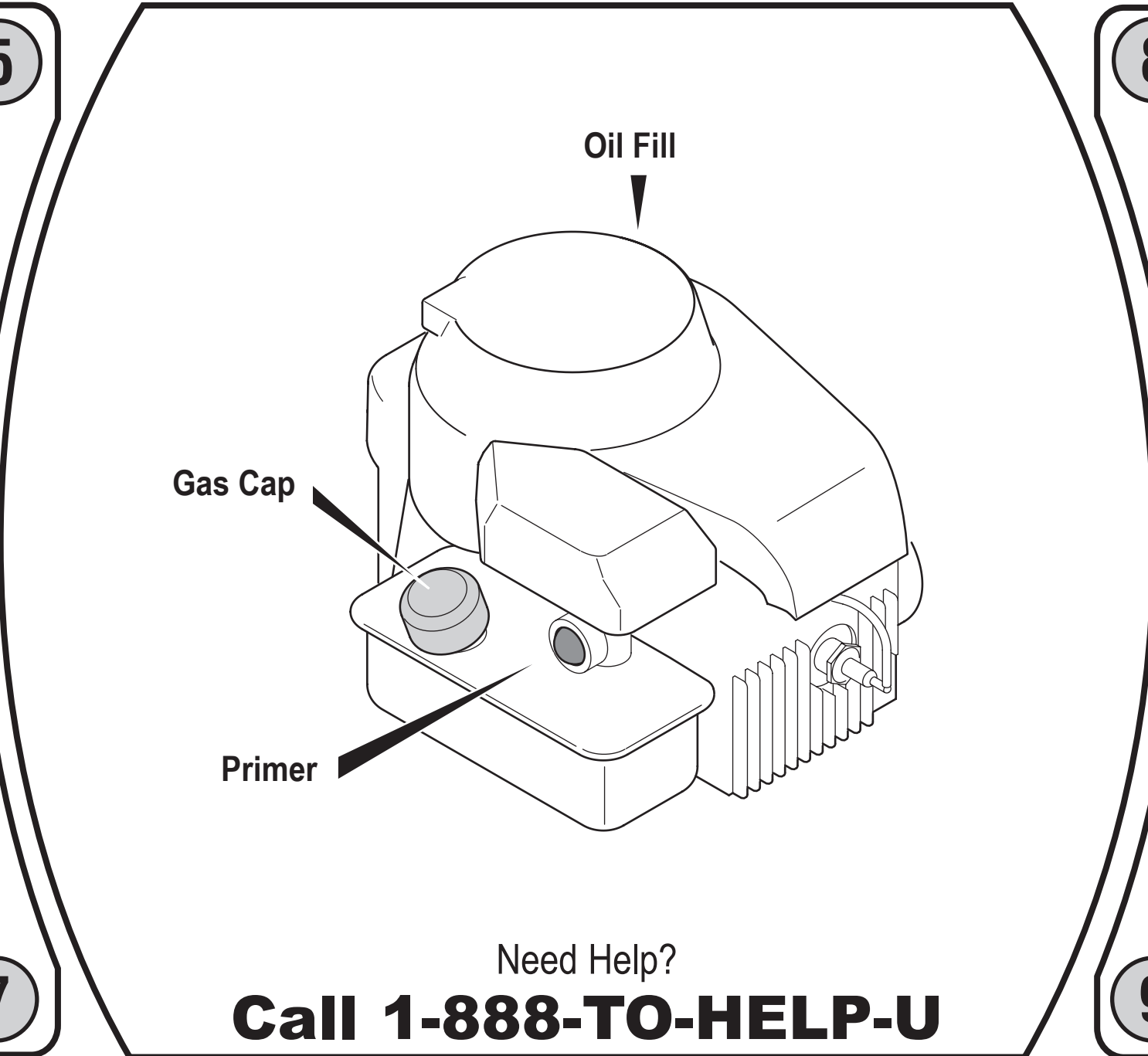
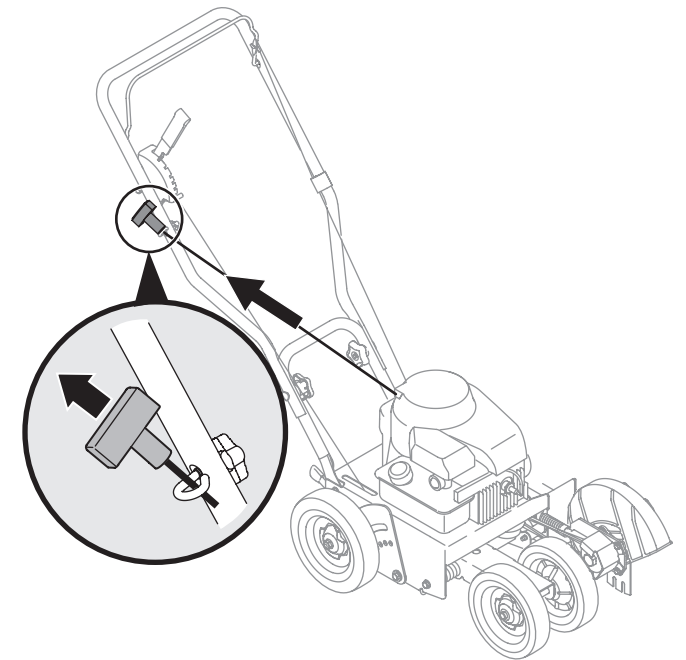
8

(1) Set depth blade to highest position.
(2) Depress blade control handle and hold.



9

Pull starter rope with quick, full arm stroke. If engine does not start after three pulls, repeat steps 7 through 9.



Need Help?

Call 1-888-TO-HELP-U



IMPORTANT: READ OPERATOR'S MANUAL AND ENGINE MANUAL THOROUGHLY AND FOLLOW THE SAFE OPERATION PRACTICES BEFORE OPERATING .

