

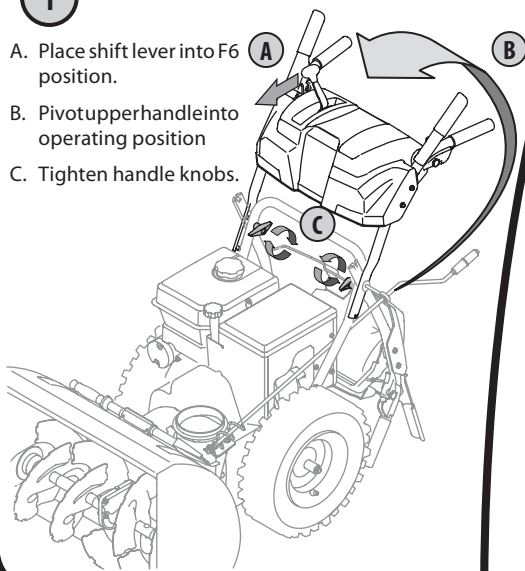


READ AND UNDERSTAND ALL INSTRUCTION, WARNING, AND DANGER LABELS.
PARA INSTRUCCIONES EN ESPAÑOL, REFIÉRASE AL MANUAL DEL OPERADOR.



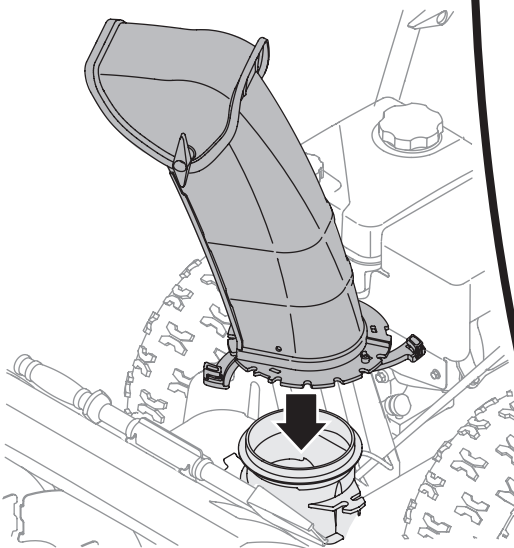
1

- A. Place shift lever into F6 position.
- B. Pivot upper handle into operating position
- C. Tighten handle knobs.

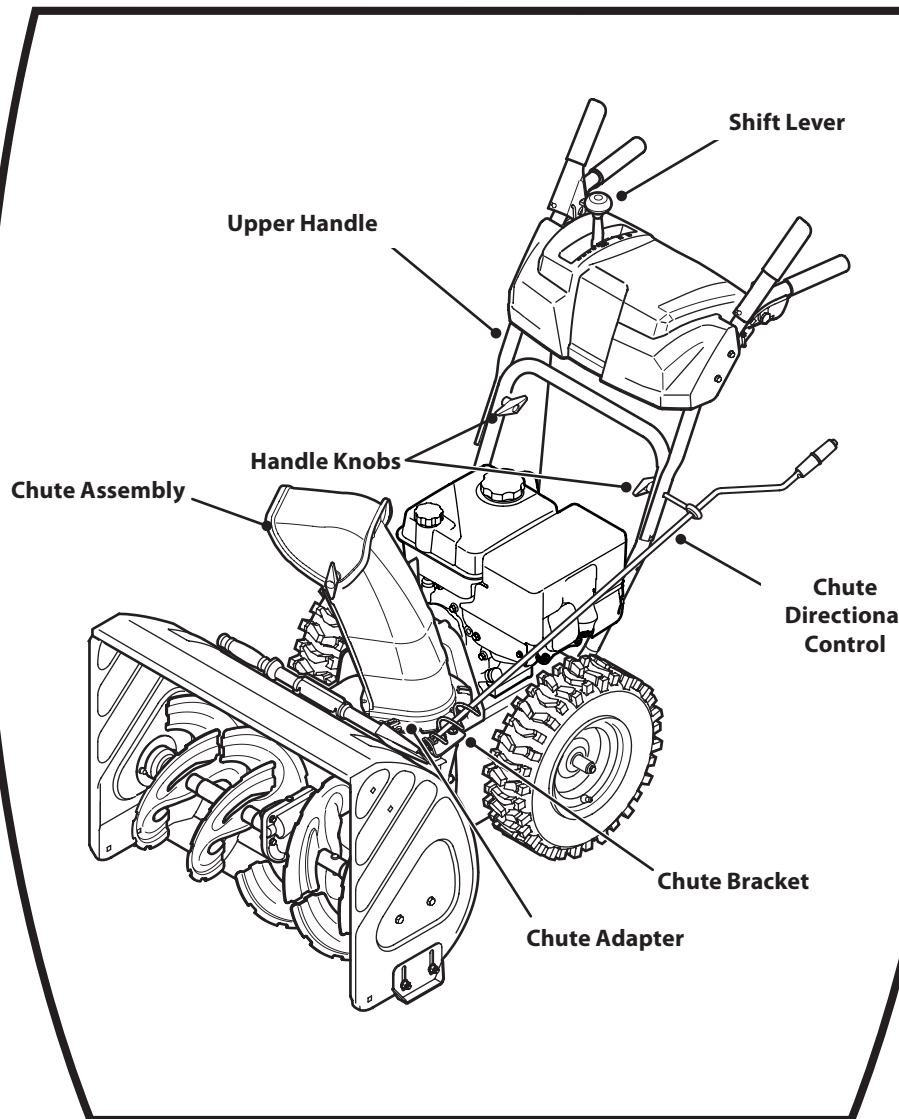


2

Place chute assembly onto chute adapter.

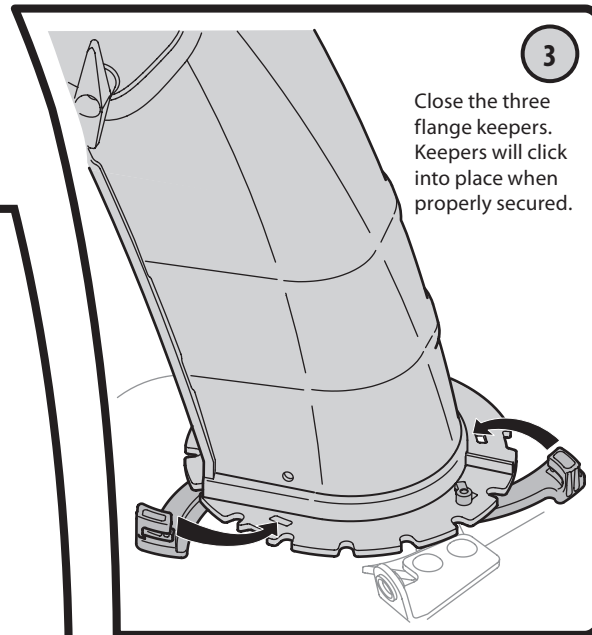


FAST START GUIDE



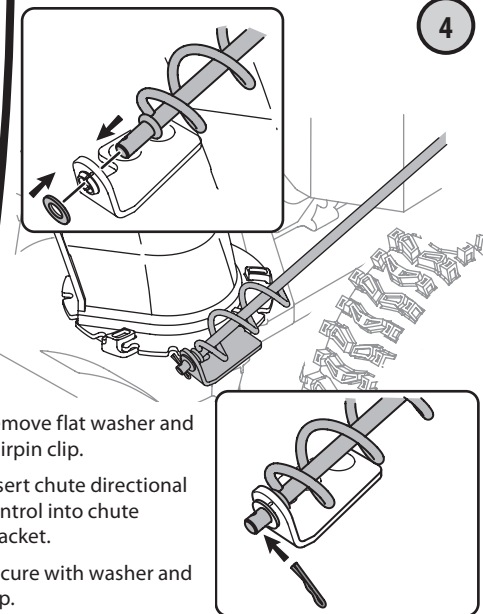
3

Close the three flange keepers. Keepers will click into place when properly secured.



4

- Remove flat washer and hairpin clip.
- Insert chute directional control into chute bracket.
- Secure with washer and clip.



IMPORTANT: READ OPERATOR'S MANUAL AND ENGINE MANUAL THOROUGHLY AND FOLLOW THE IMPORTANT SAFE OPERATION PRACTICES BEFORE OPERATING .



Need Help? Call 1-888-TO-HELP-U



READ AND UNDERSTAND ALL INSTRUCTION, WARNING, AND DANGER LABELS.
PARA INSTRUCCIONES EN ESPAÑOL, REFIÉRASE AL MANUAL DEL OPERADOR.



1



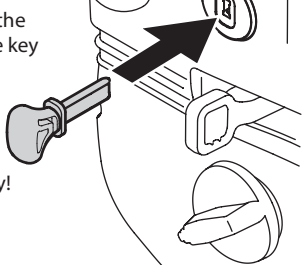
Fill fuel tank with clean, fresh gasoline. Do not fill above the base of fuel tank neck.



Check the oil level using the dipstick. Add oil if necessary. (Refer to the Operator's Manual)

2


Insert the key into the key switch until the key snaps into place.

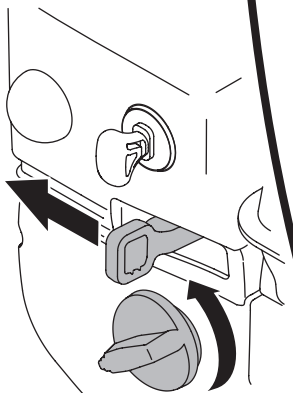


Do *not* turn the key!

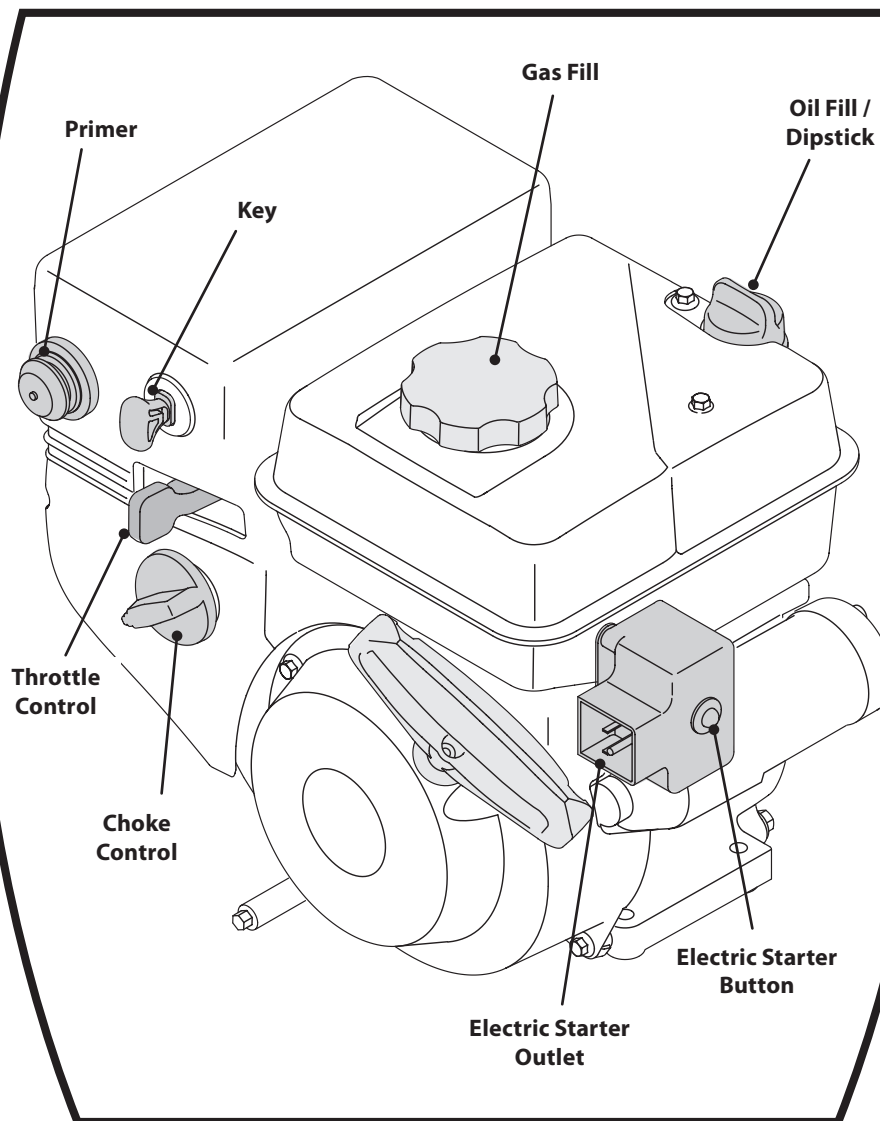
3

Move throttle control into the Fast  position.

Move the choke control into the Choke  position.

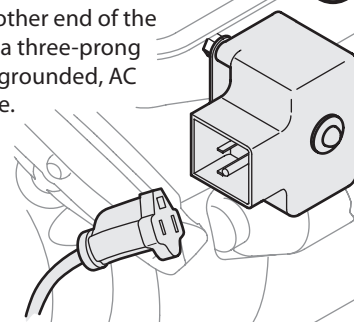


FAST START GUIDE



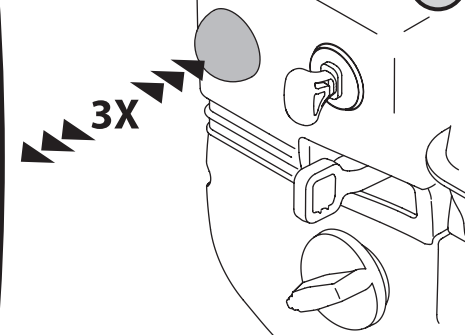
A. Connect an extension cord to the electric starter outlet.

B. Plug the other end of the cord into a three-prong 120-volt, grounded, AC receptacle.




4

Push primer three times.

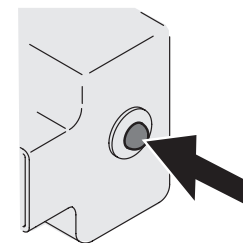


5

A. To start engine, push the starter button.

B. When engine starts, slowly move choke control into the Run  position.

C. Disconnect cord from power receptacle *first* and then from snow thrower's outlet.



6



IMPORTANT: READ OPERATOR'S MANUAL AND ENGINE MANUAL THOROUGHLY AND FOLLOW THE IMPORTANT SAFE OPERATION PRACTICES BEFORE OPERATING.



Need Help? Call 1-888-TO-HELP-U