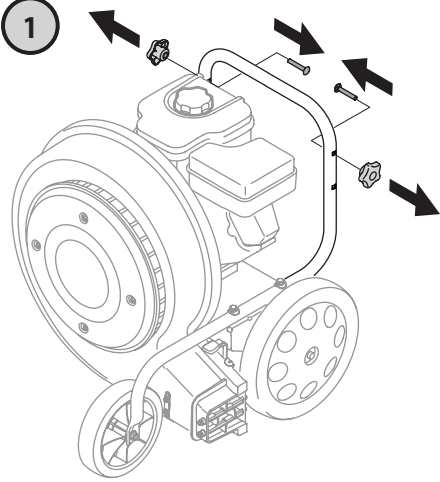


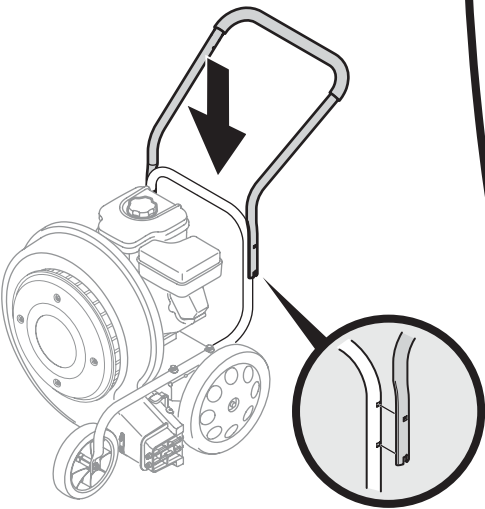


READ AND UNDERSTAND ALL INSTRUCTION, WARNING, AND DANGER LABELS.
PARA INSTRUCCIONES EN ESPAÑOL, REFIÉRASE AL MANUAL DEL OPERADOR.

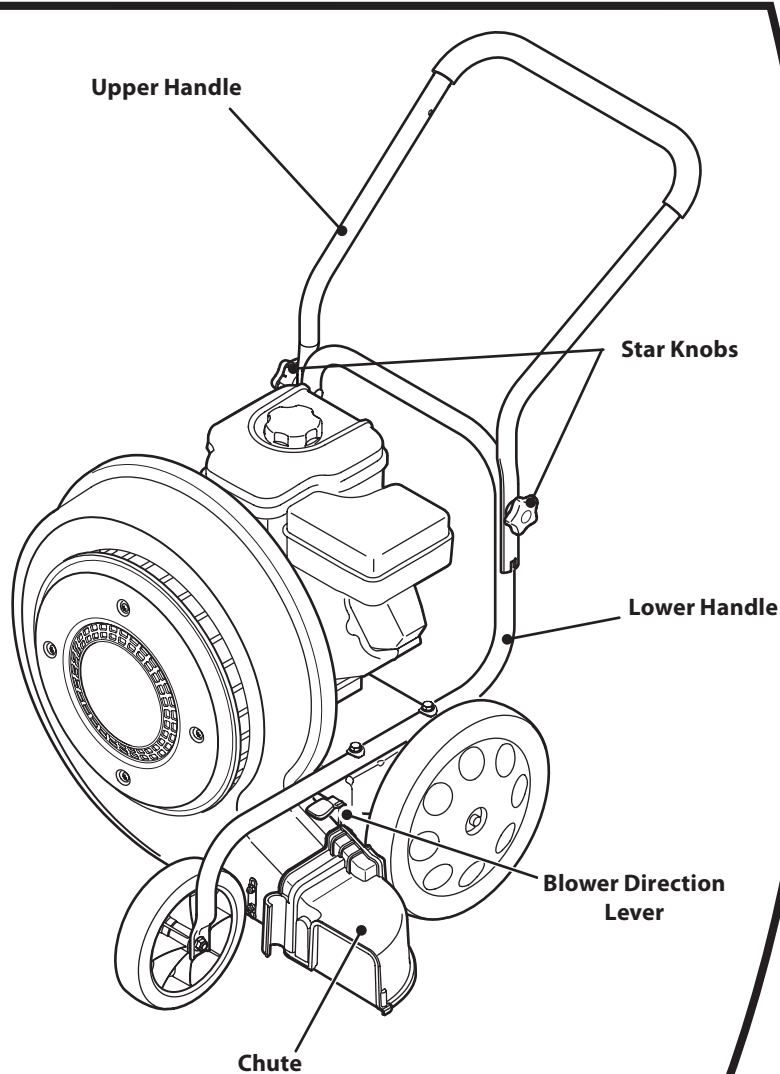


Remove carriage screws and star knobs from lower handle.

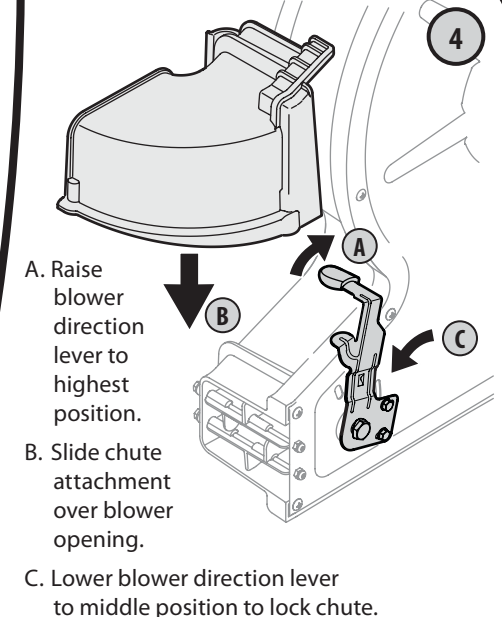
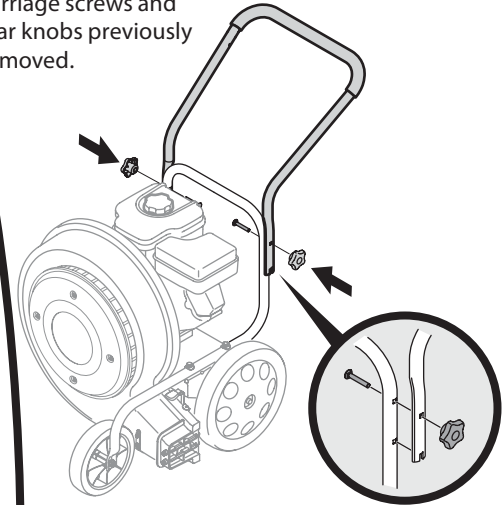
2 Place upper handle over lower handle.



FAST START GUIDE



Secure upper handle to lower handle using carriage screws and star knobs previously removed.



A. Raise blower direction lever to highest position.
B. Slide chute attachment over blower opening.
C. Lower blower direction lever to middle position to lock chute.



IMPORTANT: READ OPERATOR'S MANUAL AND ENGINE MANUAL THOROUGHLY AND FOLLOW THE IMPORTANT SAFE OPERATION PRACTICES BEFORE OPERATING .



Need Help? Call 1-888-TO-HELP-U



**READ AND UNDERSTAND ALL INSTRUCTION, WARNING, AND DANGER LABELS.
PARA INSTRUCCIONES EN ESPAÑOL, REFIÉRASE AL MANUAL DEL OPERADOR.**



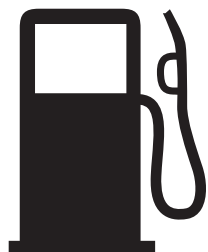
5

Pour the entire contents of the oil bottle (included in carton) into the oil fill.



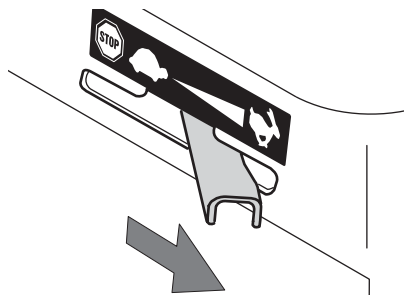
6

Fill fuel tank with clean, fresh gasoline. Do not fill above the base of fuel tank neck.

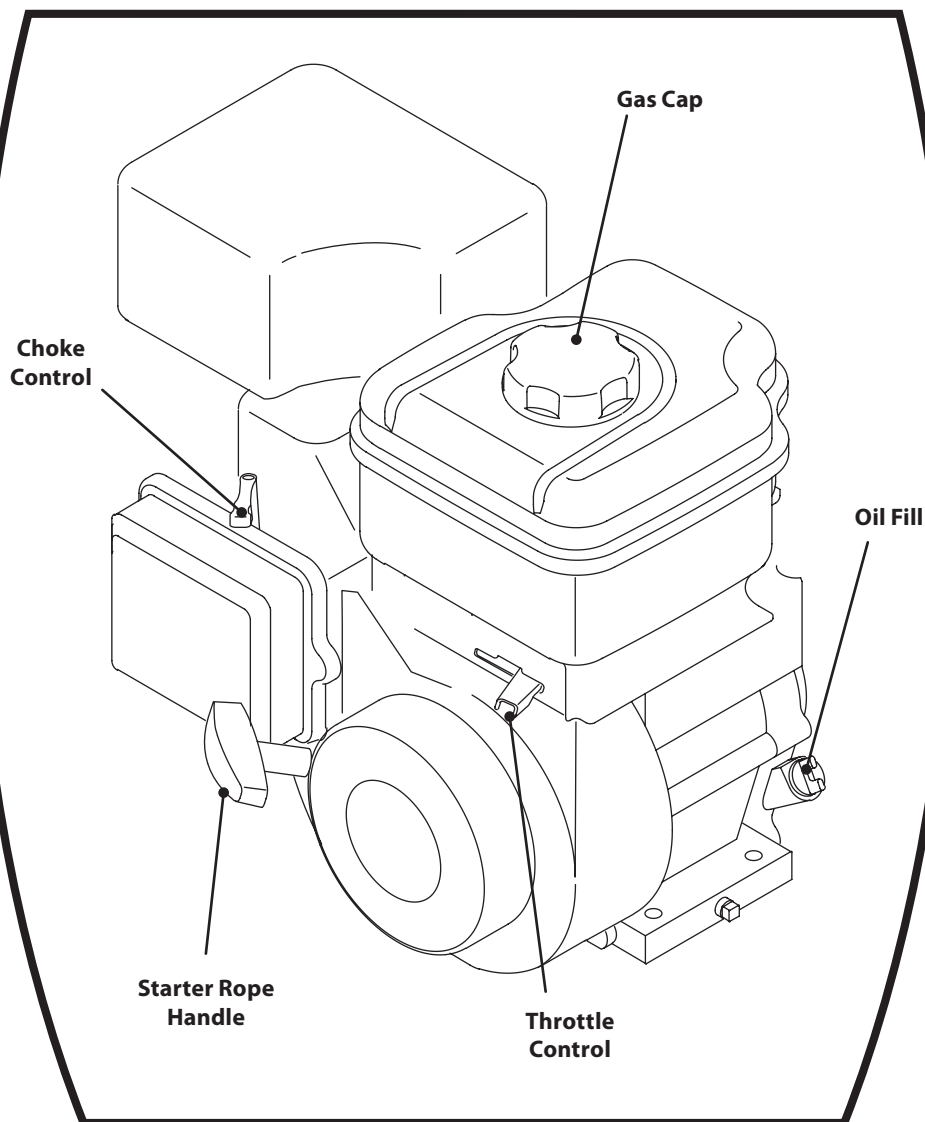


7


Move throttle control into the Fast  position.

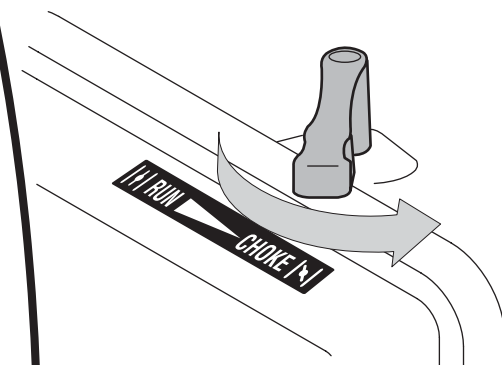


FAST START GUIDE

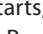


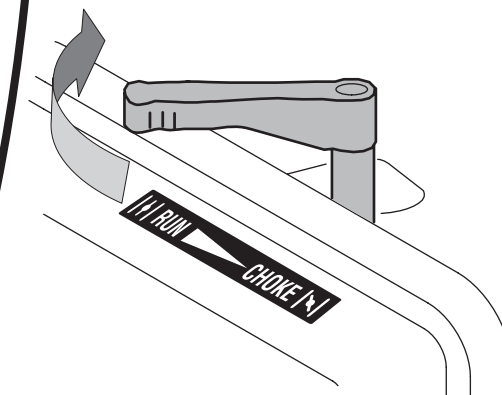
8

Move the choke control into the Choke  position.



9

Grasp starter rope handle and pull with quick, full-arm stroke. When engine starts, slowly move choke control into the Run  position.



IMPORTANT: READ OPERATOR'S MANUAL AND ENGINE MANUAL THOROUGHLY AND FOLLOW THE IMPORTANT SAFE OPERATION PRACTICES BEFORE OPERATING .



Need Help? Call 1-888-TO-HELP-U