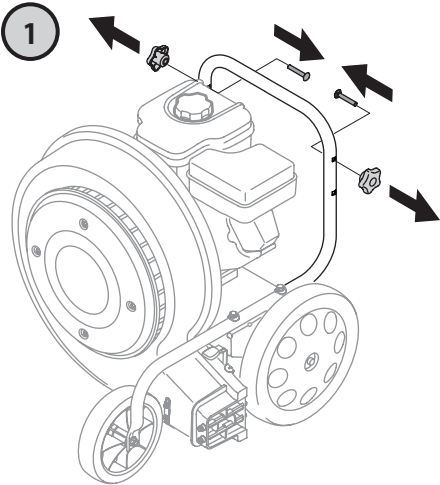




READ AND UNDERSTAND ALL INSTRUCTION, WARNING, AND DANGER LABELS.
PARA INSTRUCCIONES EN ESPAÑOL, REFIÉRESE AL MANUAL DEL OPERADOR.



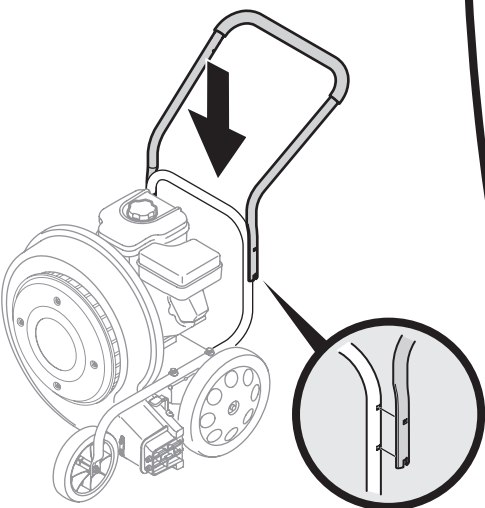
1



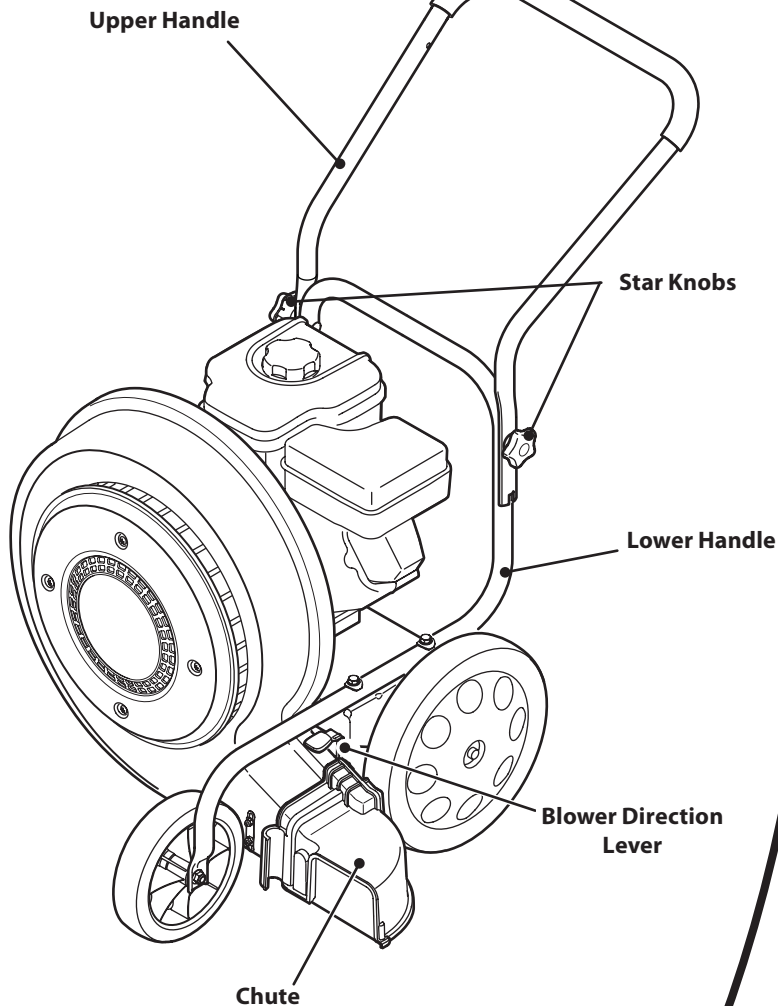
Remove carriage screws and star knobs from carton.

2

Place upper handle over lower handle.

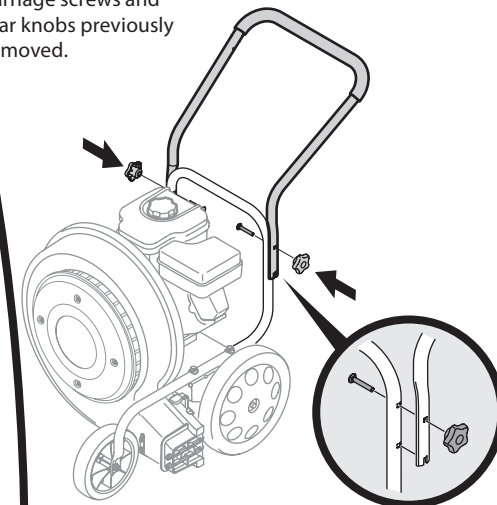


FAST START GUIDE



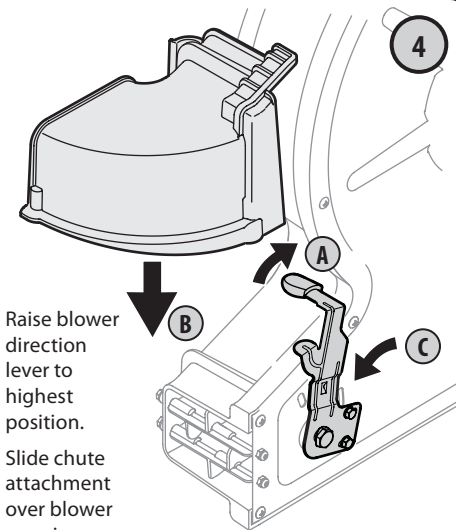
3

Secure upper handle to lower handle using carriage screws and star knobs previously removed.



4

- A. Raise blower direction lever to highest position.
- B. Slide chute attachment over blower opening.
- C. Lower blower direction lever to middle position to lock chute.



IMPORTANT: READ OPERATOR'S MANUAL AND ENGINE MANUAL THOROUGHLY AND FOLLOW THE IMPORTANT SAFE OPERATION PRACTICES BEFORE OPERATING .



Need Help? Call 1-888-TO-HELP-U



READ AND UNDERSTAND ALL INSTRUCTION, WARNING, AND DANGER LABELS.
PARA INSTRUCCIONES EN ESPAÑOL, REFIÉRASE AL MANUAL DEL OPERADOR.



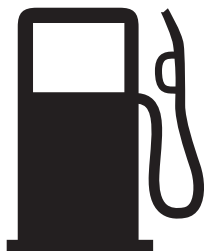
5

Pour the entire contents of the oil bottle (included in carton) into the oil fill.




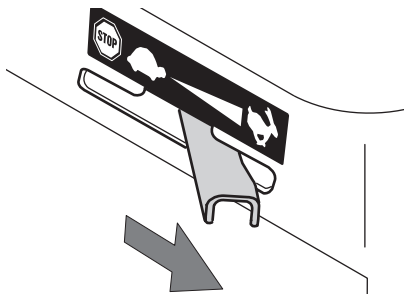
6

Fill fuel tank with gasoline purchased within the last 10 days and stored in a non-rusty/dirty can. Do not fill above base of fuel tank neck.

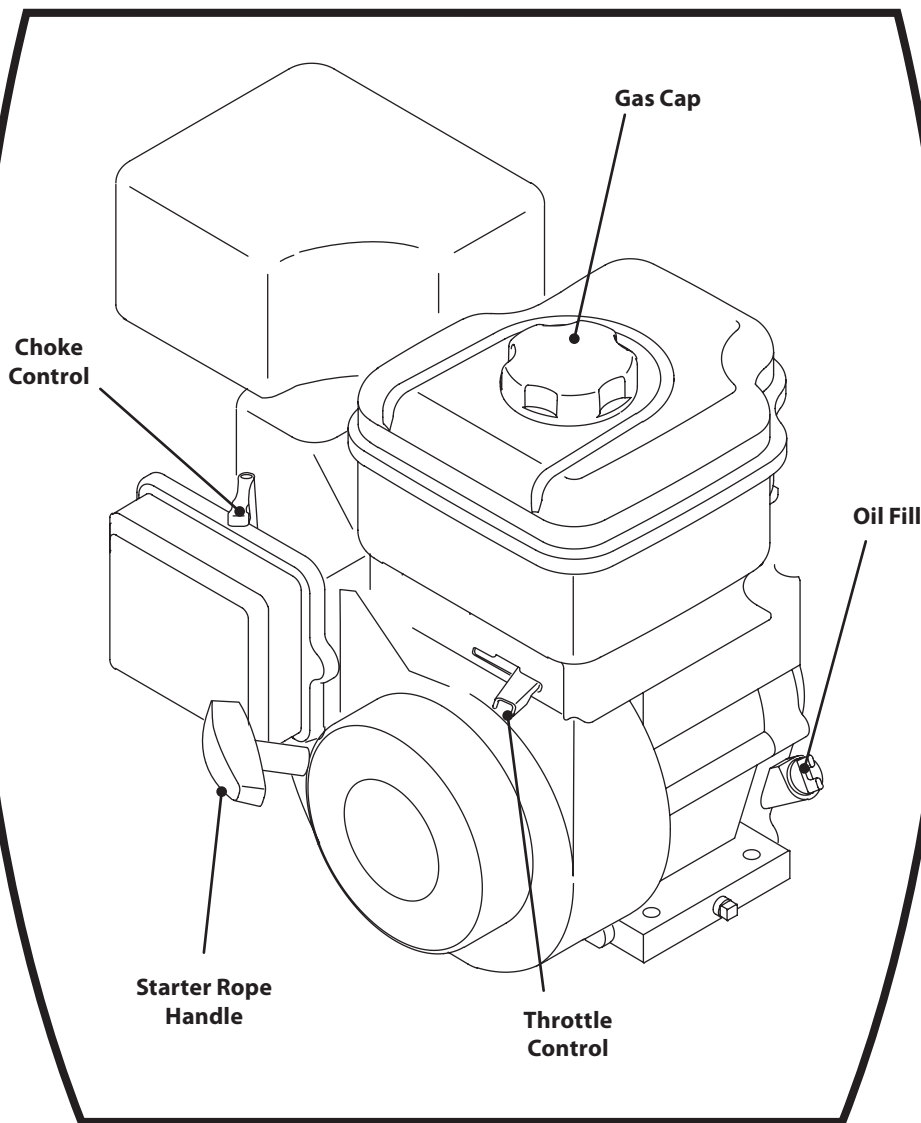


7


Move throttle control into the Fast  position.

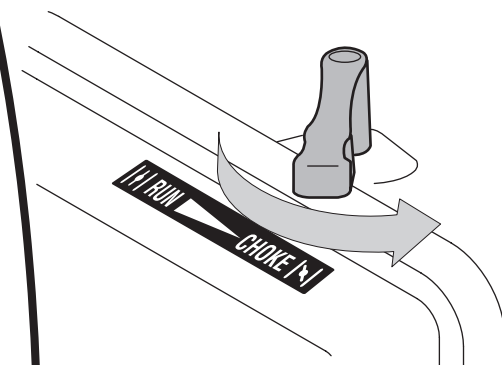


FAST START GUIDE



8

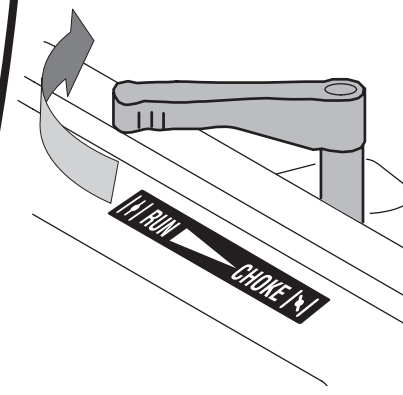
Move the choke control into the Choke  position.



9

Grasp starter rope handle and pull with quick, full-arm stroke.

When engine starts, slowly move choke control into the Run  position.



IMPORTANT: READ OPERATOR'S MANUAL AND ENGINE MANUAL THOROUGHLY AND FOLLOW THE IMPORTANT SAFE OPERATION PRACTICES BEFORE OPERATING .



Need Help? Call 1-888-TO-HELP-U