

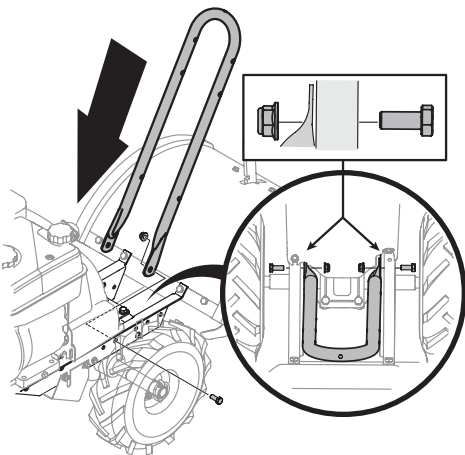


**READ AND UNDERSTAND ALL INSTRUCTION, WARNING, AND DANGER LABELS.
PARA INSTRUCCIONES EN ESPAÑOL, REFIÉRASE AL MANUAL DEL OPERADOR.**



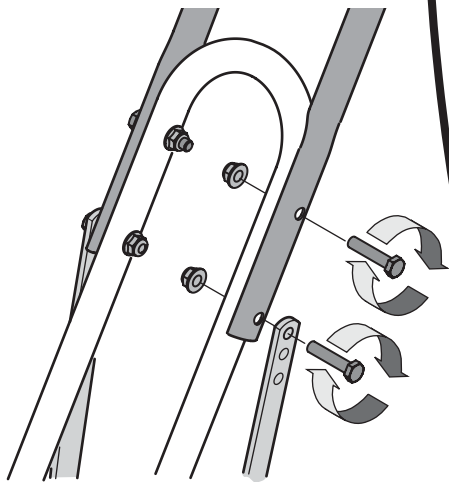
1

Loosely attach lower handle to frame using the $\frac{5}{16}$ -18 x .75 hex head cap screws and $\frac{5}{16}$ -18 flange lock nuts. Do not tighten hardware.



2

Attach upper handle and handle support brackets to lower handle using the $\frac{5}{16}$ -18 x 1.50 screws and $\frac{5}{16}$ -18 flange lock nuts. Tighten all hardware in attached in Step 1 and Step 2.



FAST START GUIDE

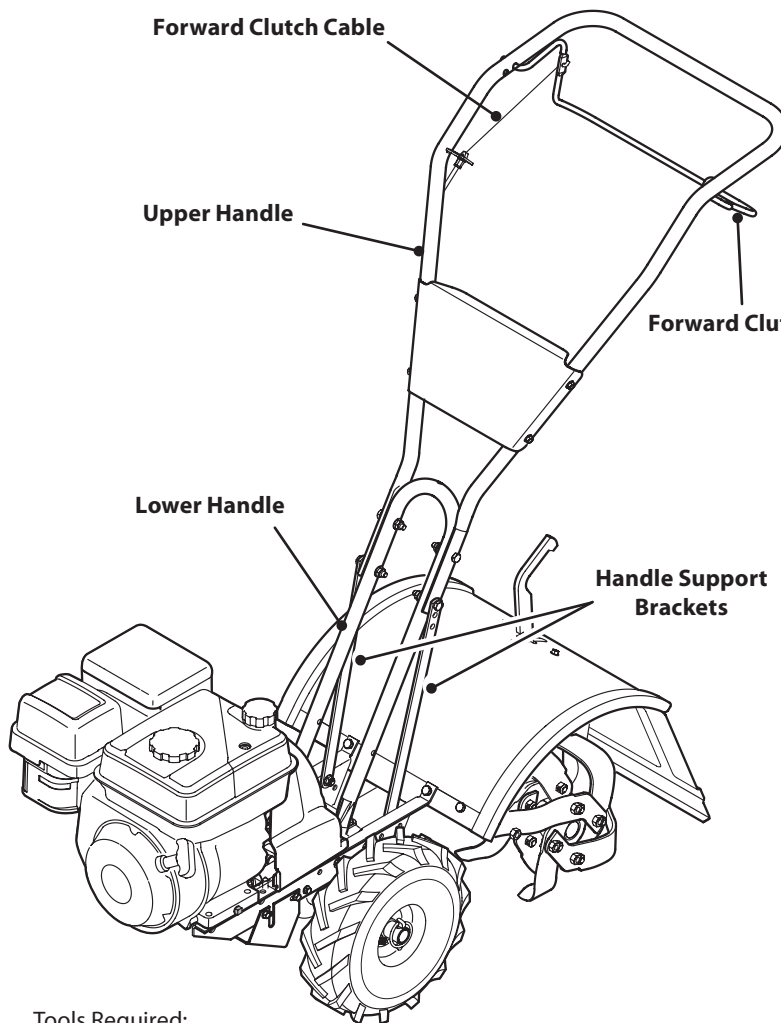
Forward Clutch Cable

Upper Handle

Forward Clutch Bail

Lower Handle

Handle Support Brackets

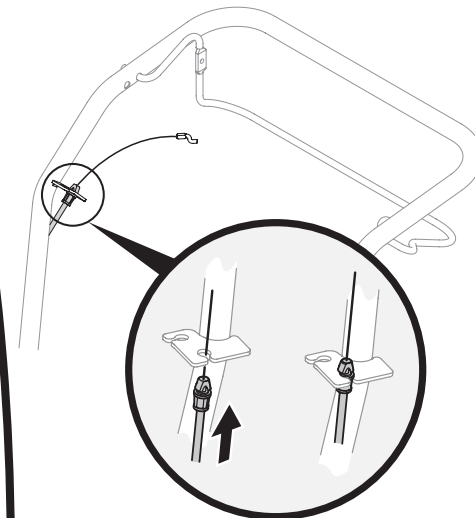


Tools Required:

- Two $\frac{1}{2}$ -inch wrenches (or adjustable wrenches)

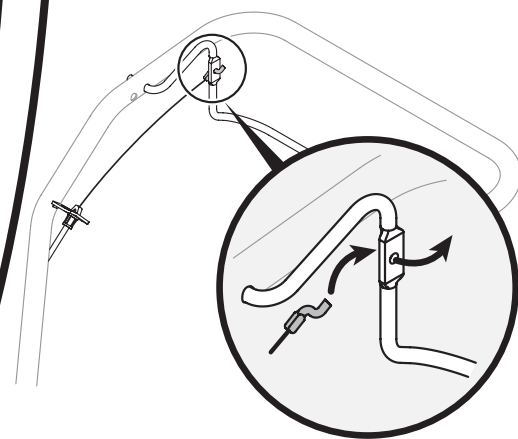
3

Snap cable connector into bottom hole in cable bracket.



4

Insert the Z-fitting into the hole in the Forward Clutch Bail.



IMPORTANT: READ OPERATOR'S MANUAL AND ENGINE MANUAL THOROUGHLY AND FOLLOW THE IMPORTANT SAFE OPERATION PRACTICES BEFORE OPERATING .



Need Help? Call 1-888-TO-HELP-U



**READ AND UNDERSTAND ALL INSTRUCTION, WARNING, AND DANGER LABELS.
PARA INSTRUCCIONES EN ESPAÑOL, REFIÉRASE AL MANUAL DEL OPERADOR.**



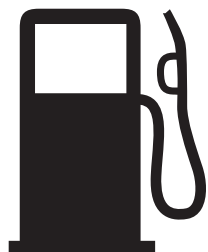
5

Pour the entire contents of the oil bottle (included in carton) into the oil fill.



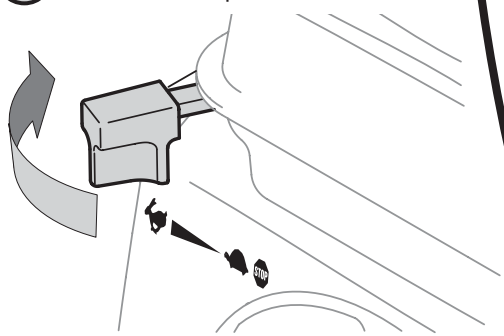
6

Fill fuel tank with clean, fresh gasoline until fuel reaches the fuel level indicator.

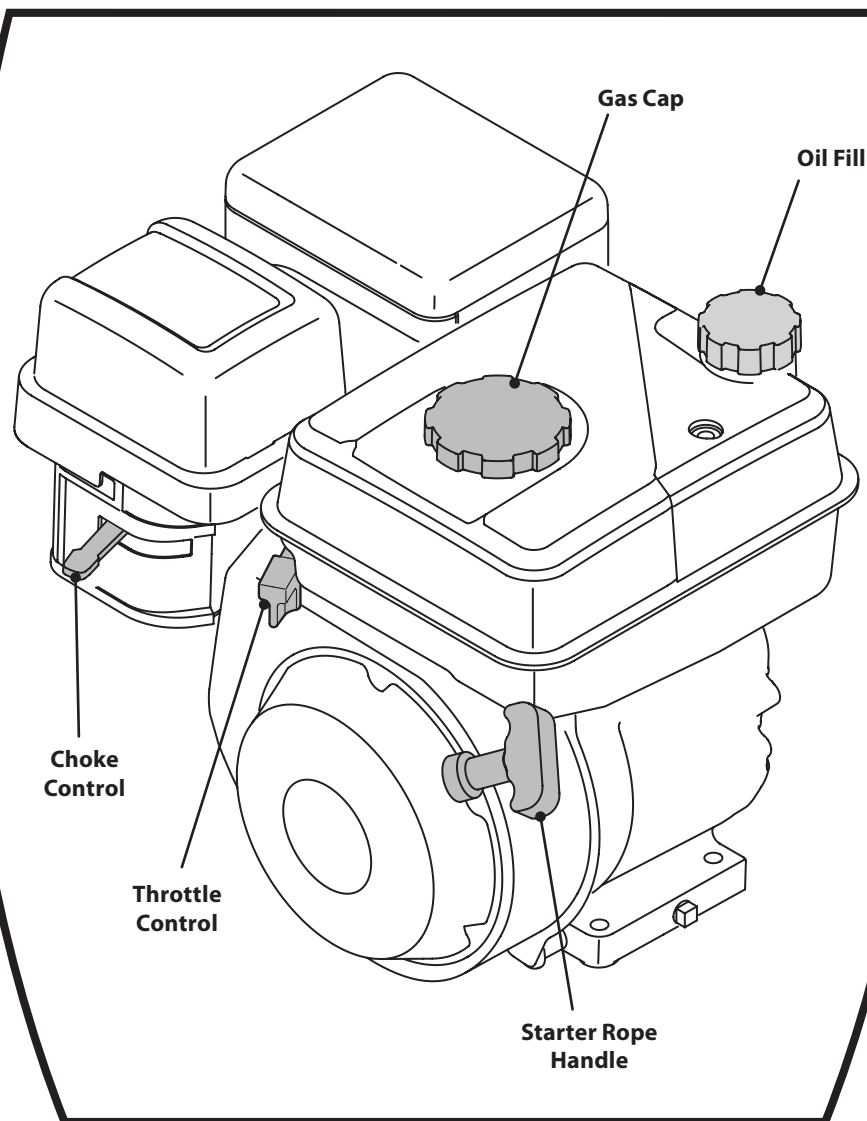


7

Move throttle control into the Fast position.

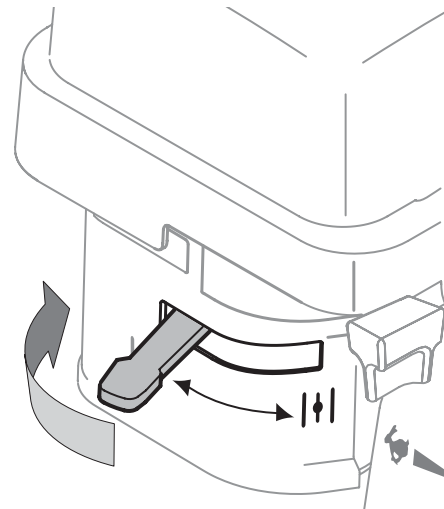


FAST START GUIDE



8

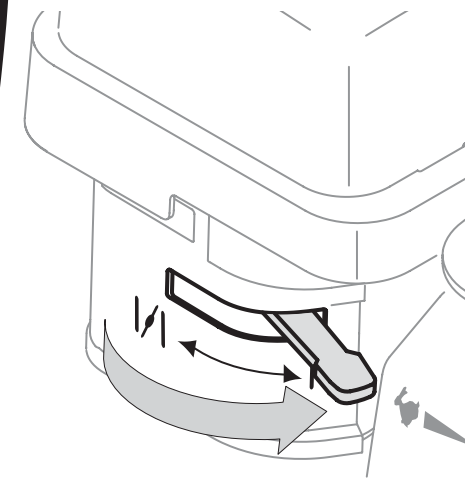
Move the choke control into the Choke position.



9

Grasp starter rope handle and pull with quick, full-arm stroke.

When engine starts, slowly move choke control into the Run position.



IMPORTANT: READ OPERATOR'S MANUAL AND ENGINE MANUAL THOROUGHLY AND FOLLOW THE IMPORTANT SAFE OPERATION PRACTICES BEFORE OPERATING .



Need Help? Call 1-888-TO-HELP-U