

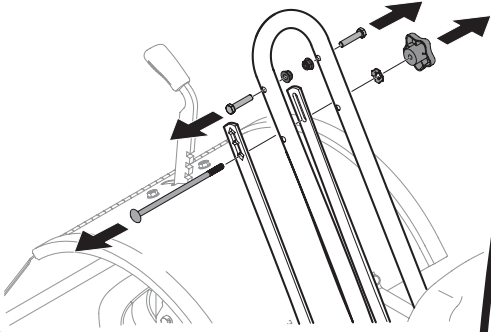


**READ AND UNDERSTAND ALL INSTRUCTION, WARNING, AND DANGER LABELS.
PARA INSTRUCCIONES EN ESPAÑOL, REFIÉRASE AL MANUAL DEL OPERADOR.**



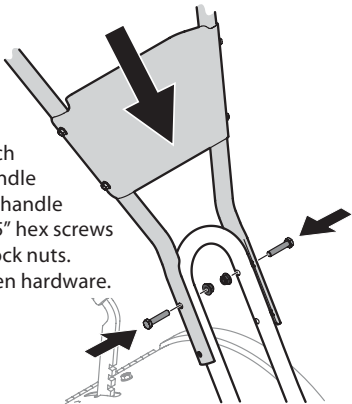
1

Remove the hardware from the lower handle and support brackets.



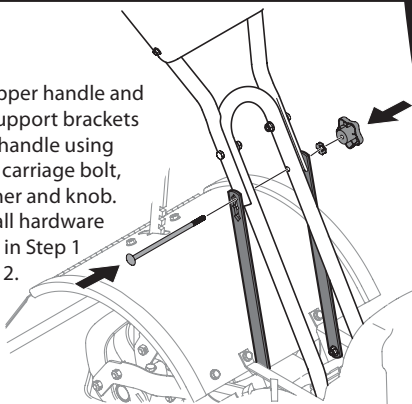
2

Loosely attach the lower handle to the upper handle using two 1.5" hex screws and flange lock nuts. Do not tighten hardware.

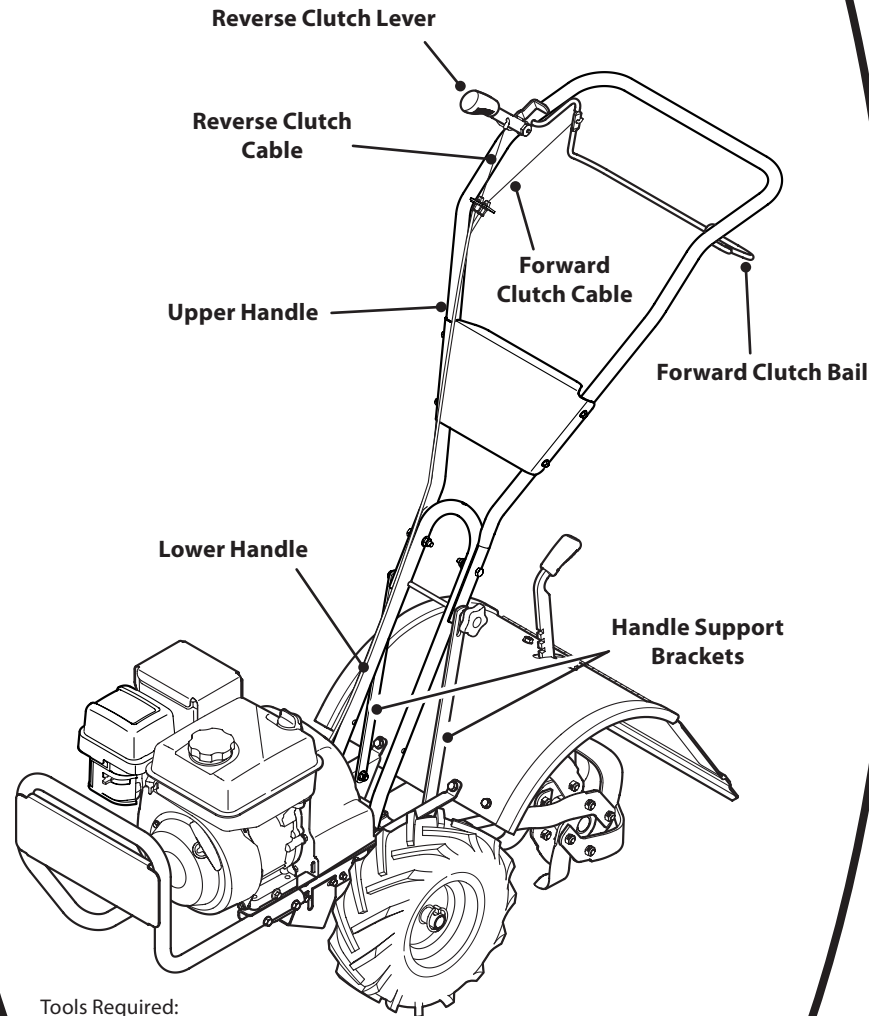


3

Attach upper handle and handle support brackets to lower handle using the 6.75" carriage bolt, bell washer and knob. Tighten all hardware attached in Step 1 and Step 2.



FAST START GUIDE

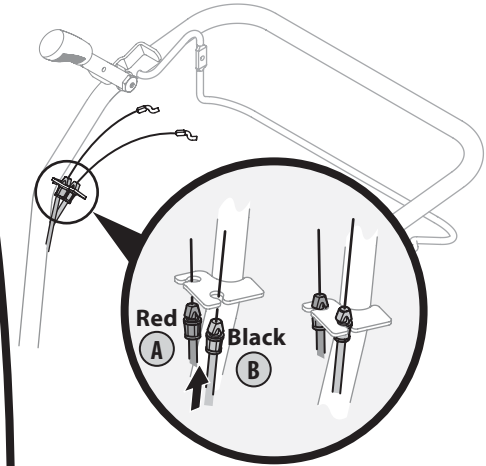


Tools Required:

- Two 1/2-inch wrenches (or adjustable wrenches)

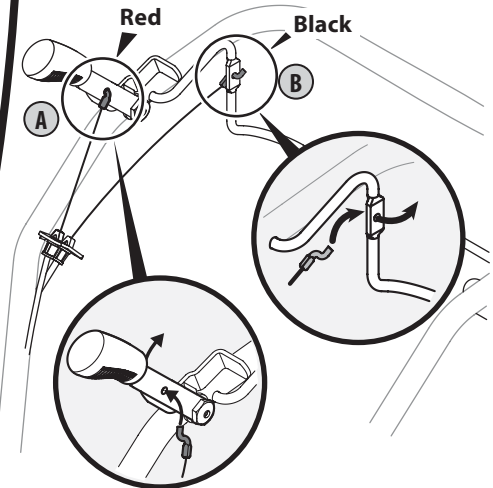
4

- A. Snap the red cable connector into upper hole in cable bracket.
- B. Snap the black cable connector into lower hole in cable bracket.



5

- A. Insert the red cable Z-fitting into the hole in the Reverse Clutch Lever.
- B. Insert the black cable Z-fitting into the hole in the Forward Clutch Bail.



IMPORTANT: READ OPERATOR'S MANUAL AND ENGINE MANUAL THOROUGHLY AND FOLLOW THE IMPORTANT SAFE OPERATION PRACTICES BEFORE OPERATING .



Need Help? Call 1-888-TO-HELP-U



**READ AND UNDERSTAND ALL INSTRUCTION, WARNING, AND DANGER LABELS.
PARA INSTRUCCIONES EN ESPAÑOL, REFIÉRASE AL MANUAL DEL OPERADOR.**



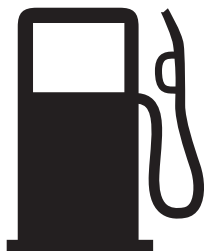
6

Pour the entire contents of the oil bottle (included in carton) into the oil fill.



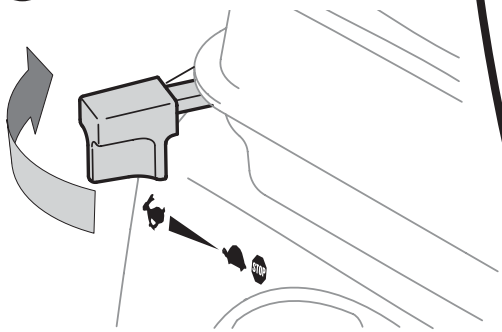
7

Fill fuel tank with clean, fresh gasoline until fuel reaches the fuel level indicator.

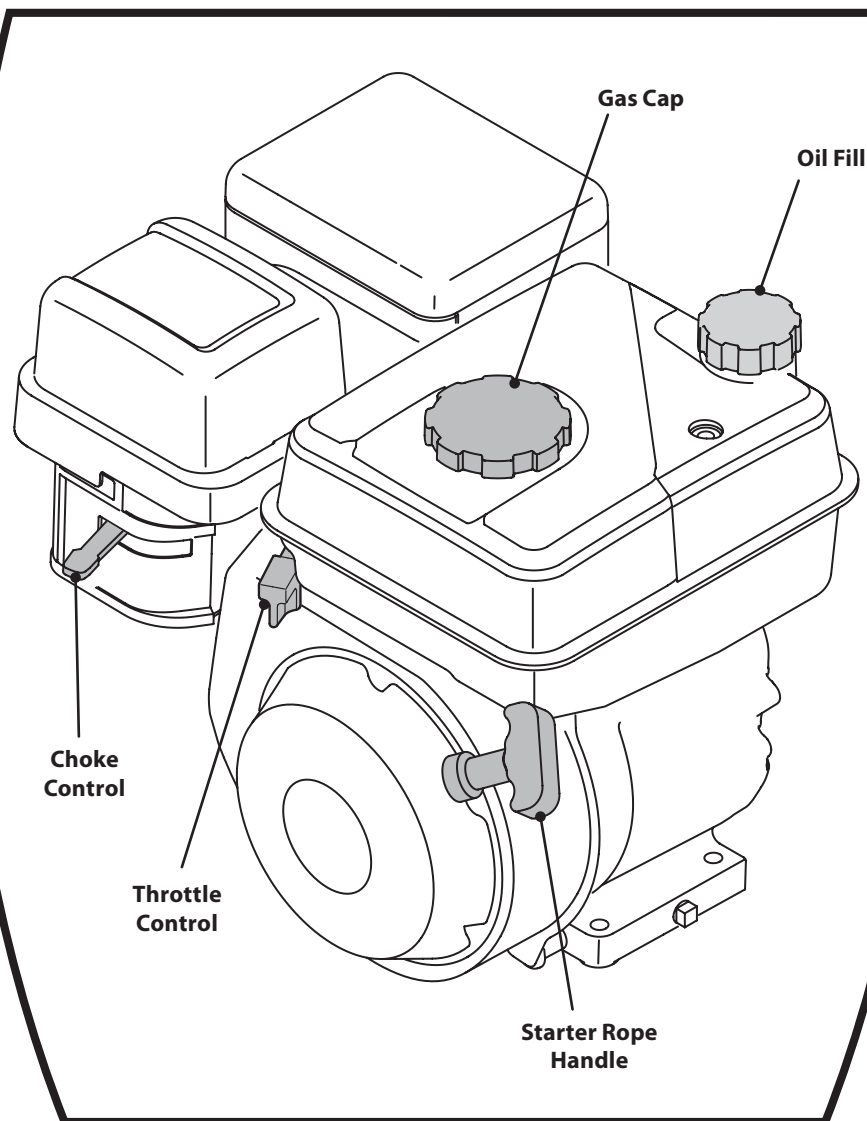


8

Move throttle control into the Fast position.

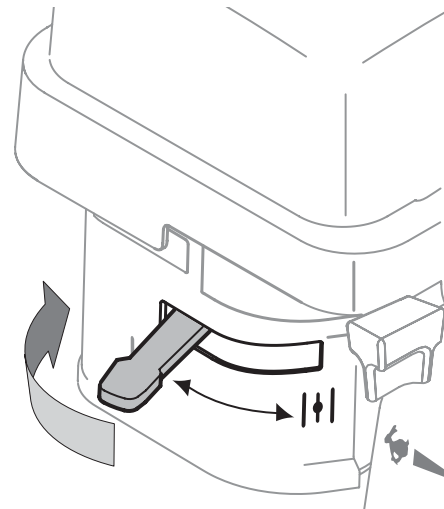


FAST START GUIDE



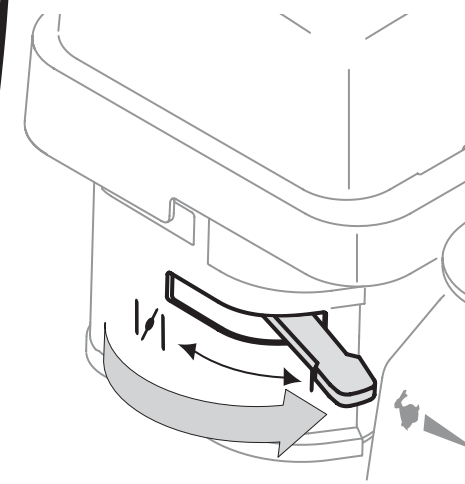
9

Move the choke control into the Choke position.



10

Grasp starter rope handle and pull with quick, full-arm stroke. When engine starts, slowly move choke control into the Run position.



IMPORTANT: READ OPERATOR'S MANUAL AND ENGINE MANUAL THOROUGHLY AND FOLLOW THE IMPORTANT SAFE OPERATION PRACTICES BEFORE OPERATING .



Need Help? Call 1-888-TO-HELP-U