



READ AND UNDERSTAND ALL INSTRUCTION, WARNING, AND DANGER LABELS.  
PARA INSTRUCCIONES EN ESPAÑOL, REFIÉRASE AL MANUAL DEL OPERADOR.



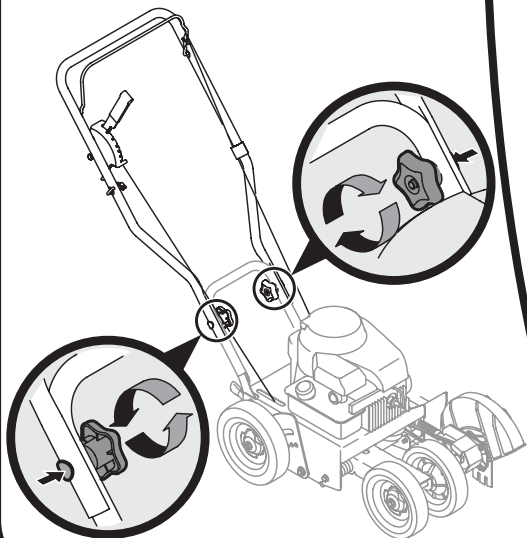
1



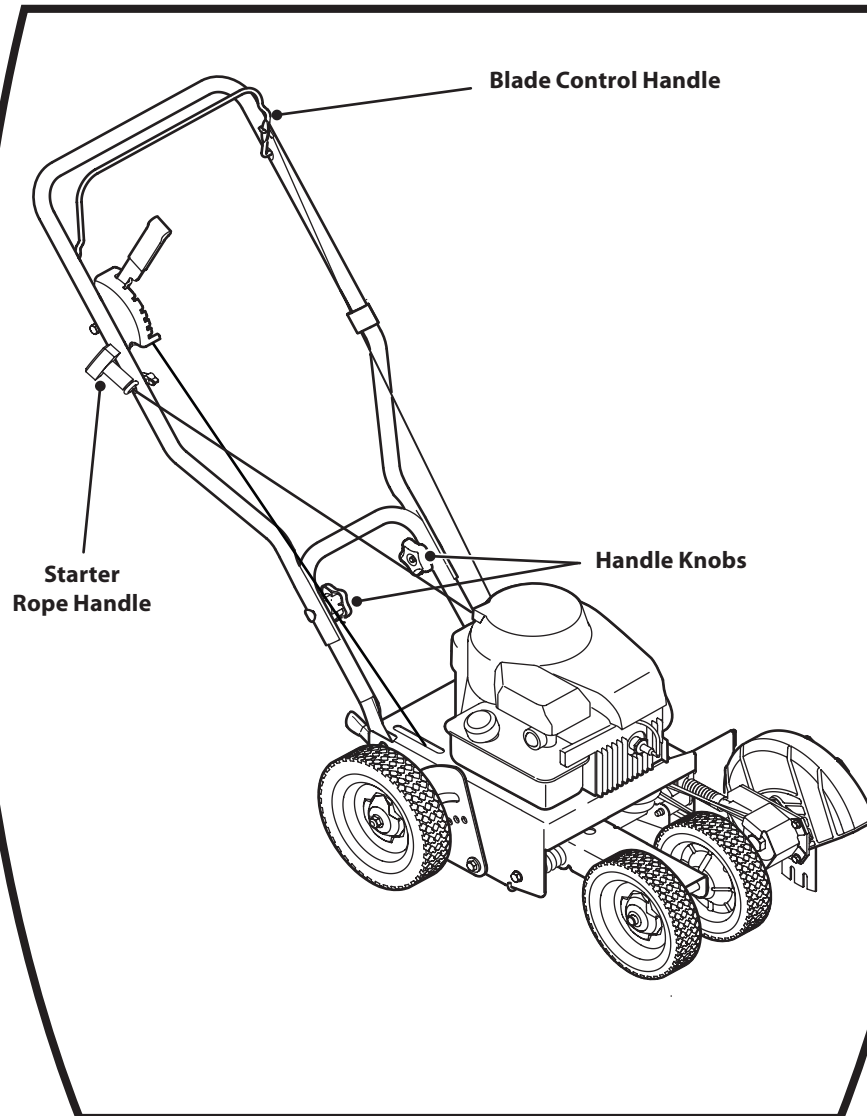
Pivot handle upward into extended position.

2

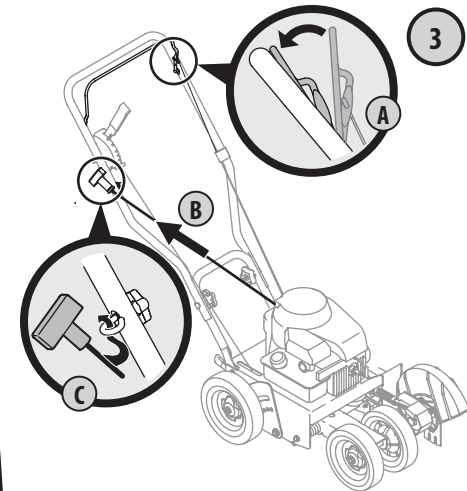
Secure handle by tightening handle knobs.



# FAST START GUIDE



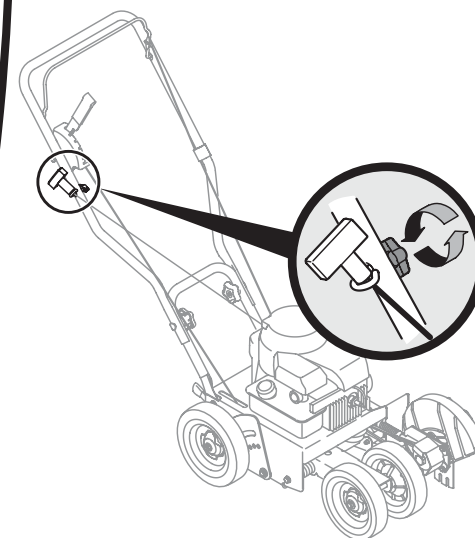
3



A. Hold blade control handle against upper handle.  
B. Slowly pull starter rope handle from engine and  
C. Slip starter rope into the rope guide.

4

Tighten rope guide wing knob



IMPORTANT: READ OPERATOR'S MANUAL AND ENGINE MANUAL THOROUGHLY AND FOLLOW THE IMPORTANT SAFE OPERATION PRACTICES BEFORE OPERATING .



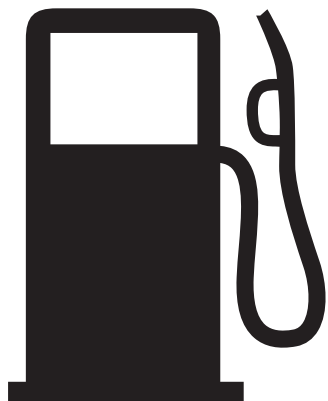
Need Help? Call 1-888-TO-HELP-U



READ AND UNDERSTAND ALL INSTRUCTION, WARNING, AND DANGER LABELS.  
PARA INSTRUCCIONES EN ESPAÑOL, REFIÉRASE AL MANUAL DEL OPERADOR.



1



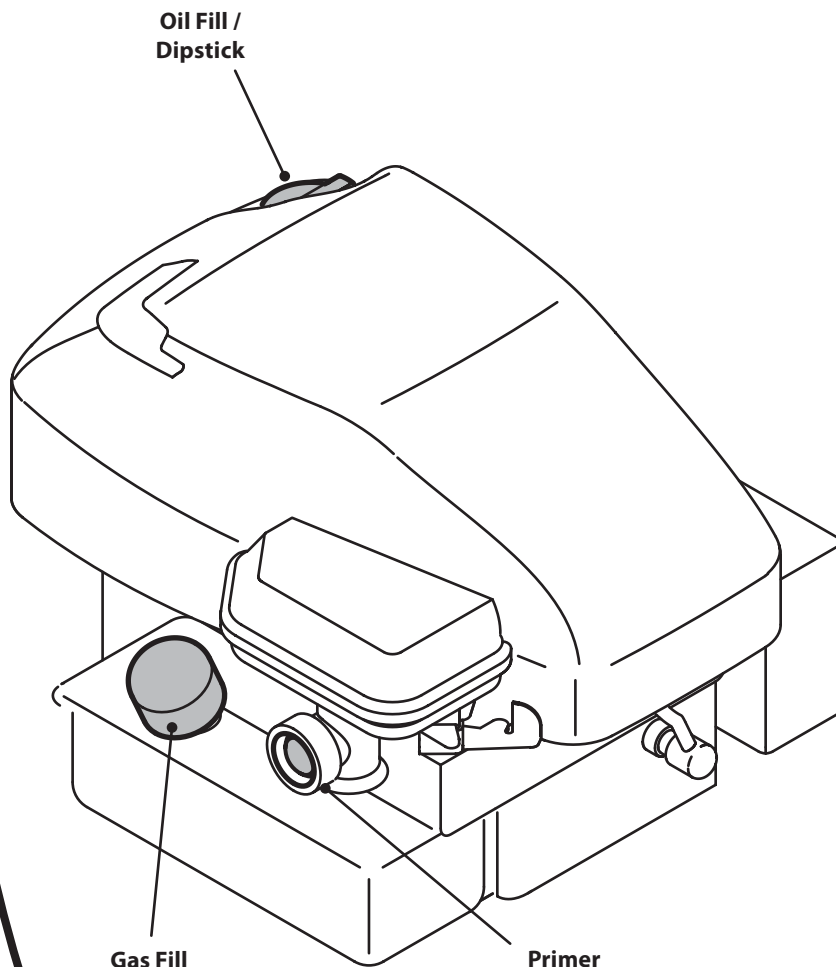
Fill fuel tank with clean, fresh gasoline. Do not fill above the base of fuel tank neck.

2

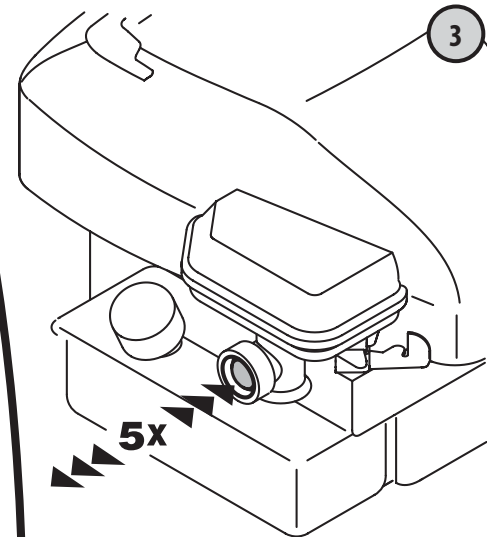


Pour the entire contents of the oil bottle (supplied) into the oil fill. Check the oil level using the dipstick. (Refer to the Operator's Manual)

# FAST START GUIDE

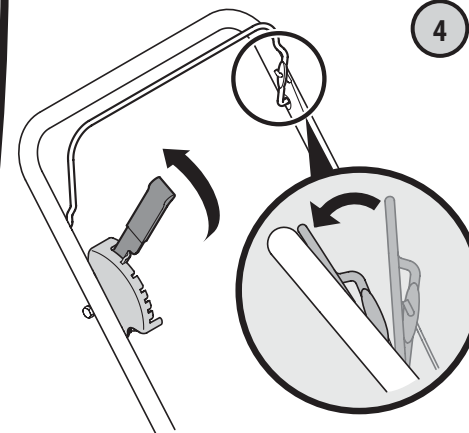


3



Push the primer five times.

4



While standing behind the machine, pivot the Blade Control Handle against the upper handle and move the blade depth control lever to its highest position.

Grasp the starter rope handle and pull with quick, full-arm stroke. If the engine does not start after five pulls, repeat steps 3 and 4.



IMPORTANT: READ OPERATOR'S MANUAL AND ENGINE MANUAL THOROUGHLY AND FOLLOW THE IMPORTANT SAFE OPERATION PRACTICES BEFORE OPERATING .



Need Help? Call 1-888-TO-HELP-U