



READ AND UNDERSTAND ALL INSTRUCTION, WARNING, AND DANGER LABELS.
PARA INSTRUCCIONES EN ESPAÑOL, REFIÉRASE AL MANUAL DEL OPERADOR.



1

A. Pivot handle upward into extended position.

B. Secure handle by tightening handle knobs.

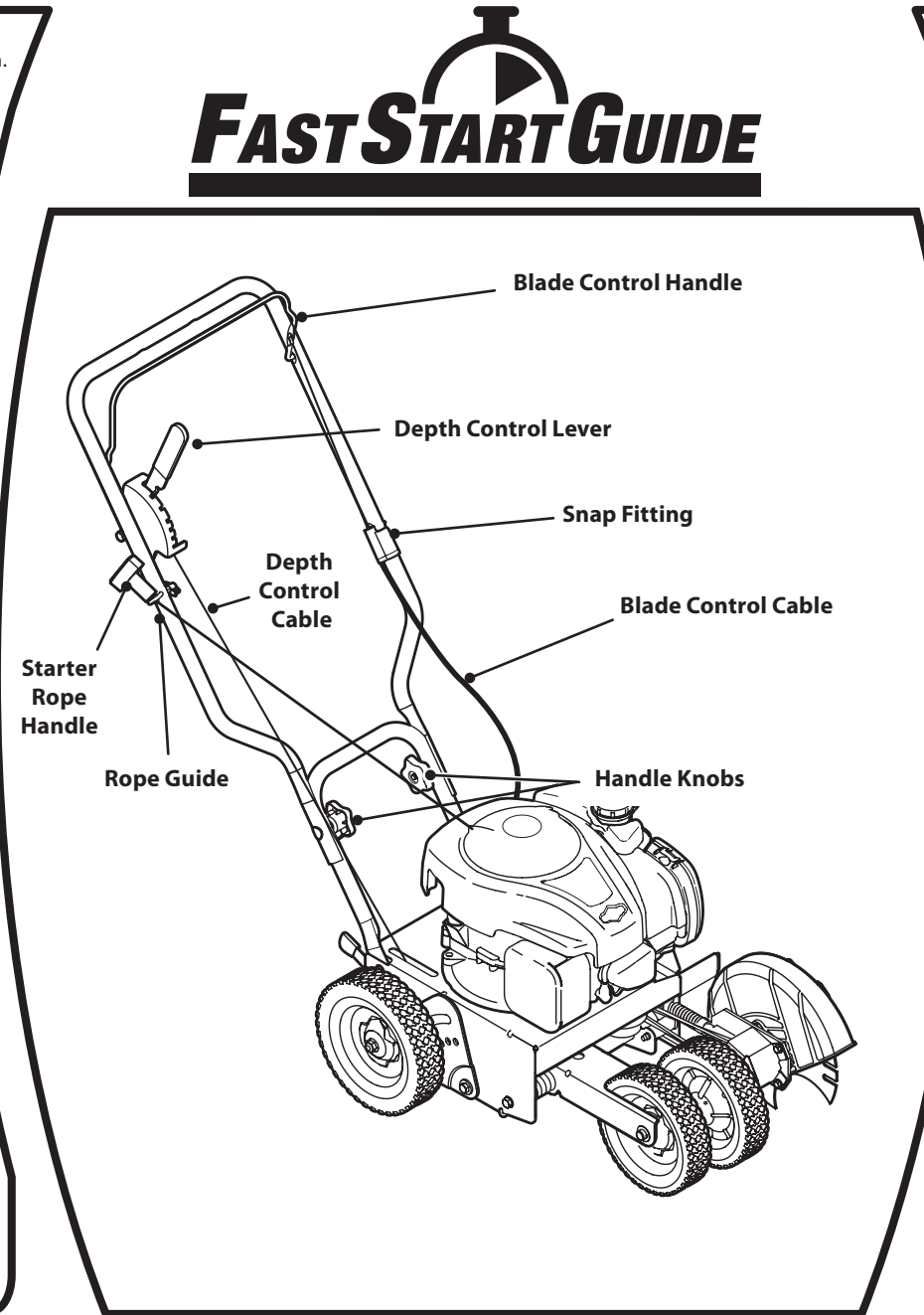
2

Attach the cable to the blade control handle.

3

A. Insert the stud into the upper handle.

B. Pivot the snap fitting down to secure it in place.



4

Attach the cable to the depth control lever

5

Attach the rope guide to the upper handle.
 Do NOT tighten.

6

Slip the starter rope into the rope guide and tighten the wing knob.



IMPORTANT: READ OPERATOR'S MANUAL AND ENGINE MANUAL THOROUGHLY AND FOLLOW THE IMPORTANT SAFE OPERATION PRACTICES BEFORE OPERATING.



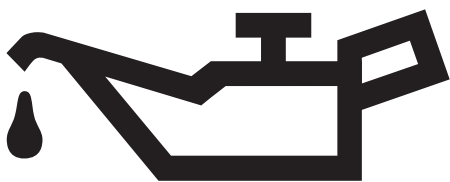
Need Help? Call 1-888-TO-HELP-U



READ AND UNDERSTAND ALL INSTRUCTION, WARNING, AND DANGER LABELS.
PARA INSTRUCCIONES EN ESPAÑOL, REFIÉRASE AL MANUAL DEL OPERADOR.

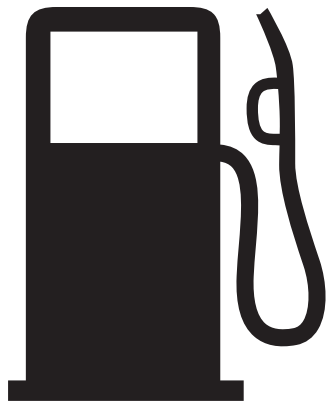


7



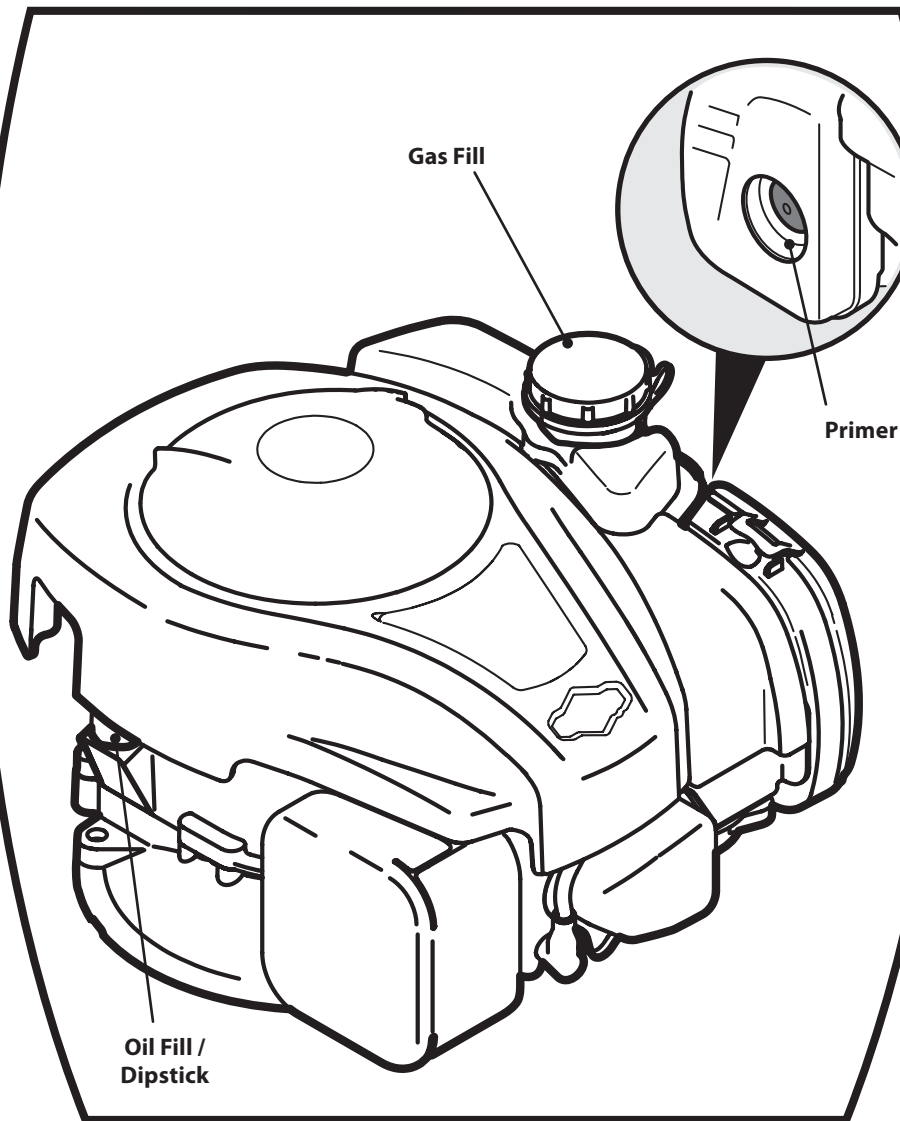
Pour the entire contents of the oil bottle (supplied) into the oil fill. Check the oil level using the dipstick. (Refer to the Operator's Manual)

8

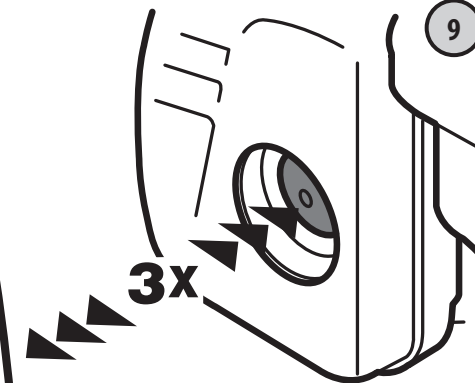


Fill fuel tank with clean, fresh gasoline. Do not fill above the base of fuel tank neck.

FAST START GUIDE

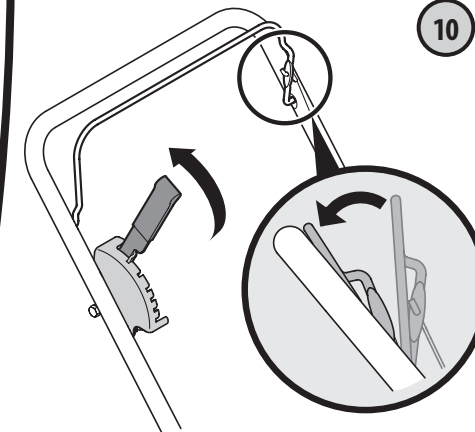


9



Push the primer three times.

10



While standing behind the machine, pivot the Blade Control Handle against the upper handle and move the blade depth control lever to its highest position.

Grasp the starter rope handle and pull with quick, full-arm stroke. If the engine does not start after five pulls, repeat steps 9 and 10.



IMPORTANT: READ OPERATOR'S MANUAL AND ENGINE MANUAL THOROUGHLY AND FOLLOW THE IMPORTANT SAFE OPERATION PRACTICES BEFORE OPERATING .



Need Help? Call 1-888-TO-HELP-U