



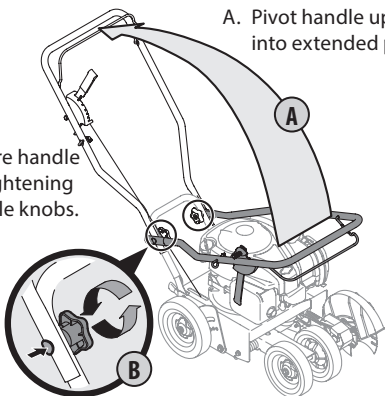
READ AND UNDERSTAND ALL INSTRUCTION, WARNING, AND DANGER LABELS.
PARA INSTRUCCIONES EN ESPAÑOL, REFIÉRASE AL MANUAL DEL OPERADOR.



1

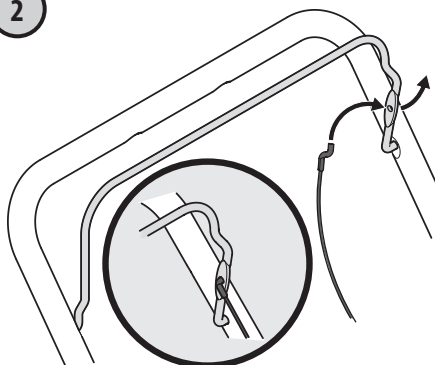
A. Pivot handle upward into extended position.

B. Secure handle by tightening handle knobs.



2

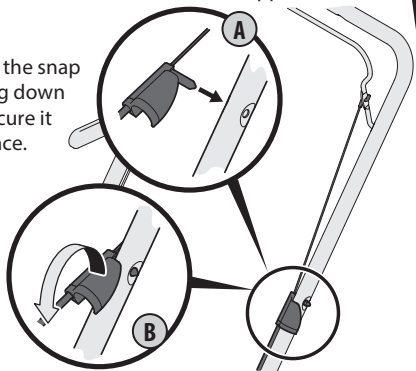
Attach the cable to the blade control handle.



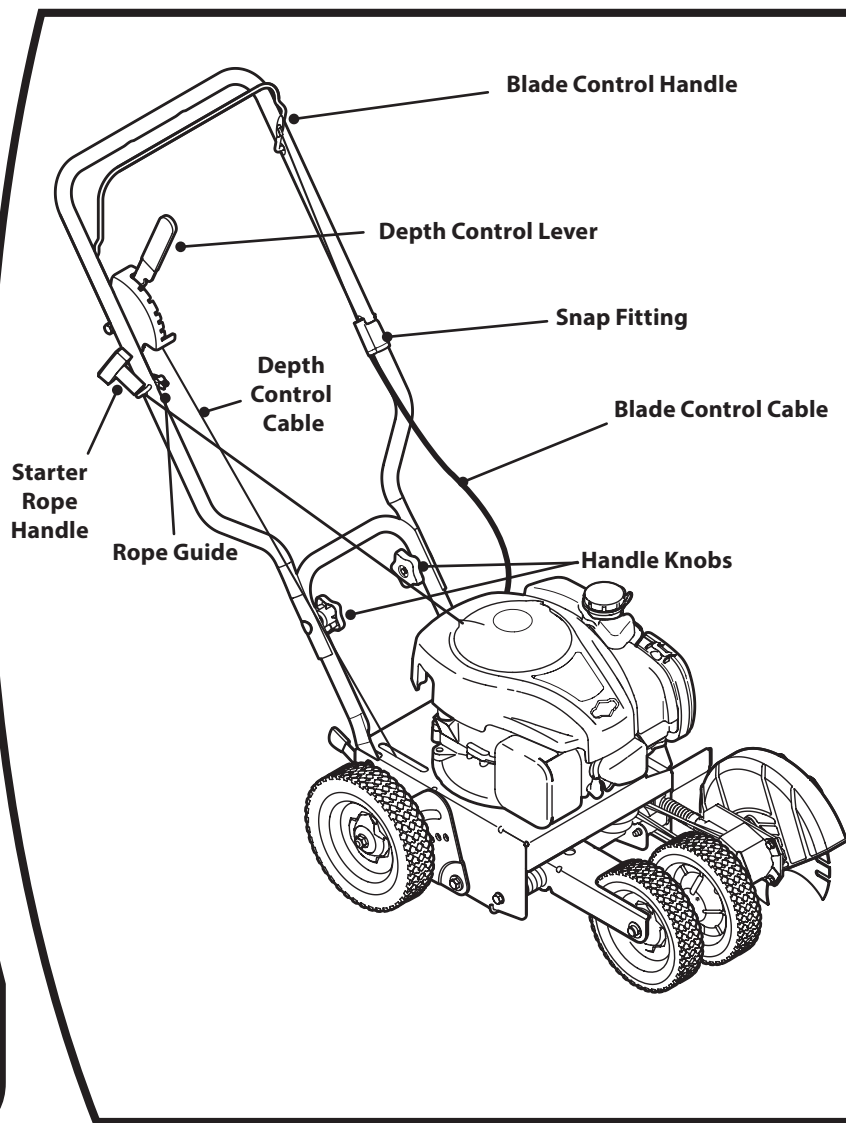
3

A. Insert the stud into the upper handle.

B. Pivot the snap fitting down to secure it in place.

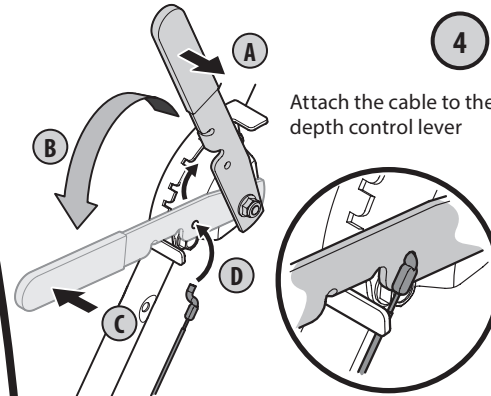


FAST START GUIDE



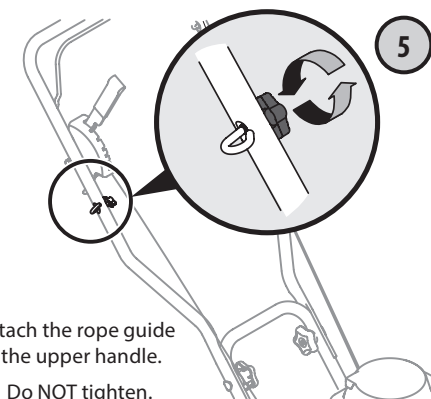
4

Attach the cable to the depth control lever



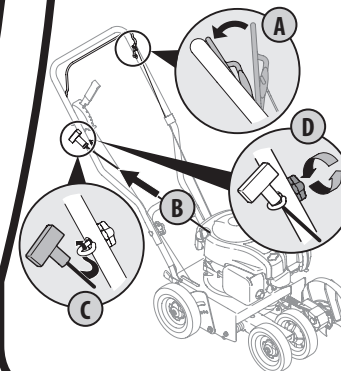
5

Attach the rope guide to the upper handle.
Do NOT tighten.



6

A. Hold blade control handle against upper handle.
B. Slowly pull starter rope handle from engine.
C. Slip starter rope into the rope guide.
D. Tighten wing knob.



IMPORTANT: READ OPERATOR'S MANUAL AND ENGINE MANUAL THOROUGHLY AND FOLLOW THE IMPORTANT SAFE OPERATION PRACTICES BEFORE OPERATING.



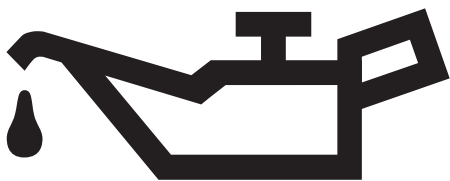
Need Help? Call 1-888-TO-HELP-U



READ AND UNDERSTAND ALL INSTRUCTION, WARNING, AND DANGER LABELS.
PARA INSTRUCCIONES EN ESPAÑOL, REFIÉRESE AL MANUAL DEL OPERADOR.

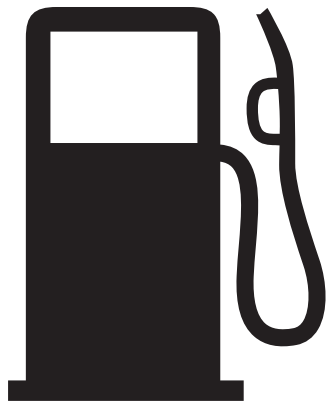


7



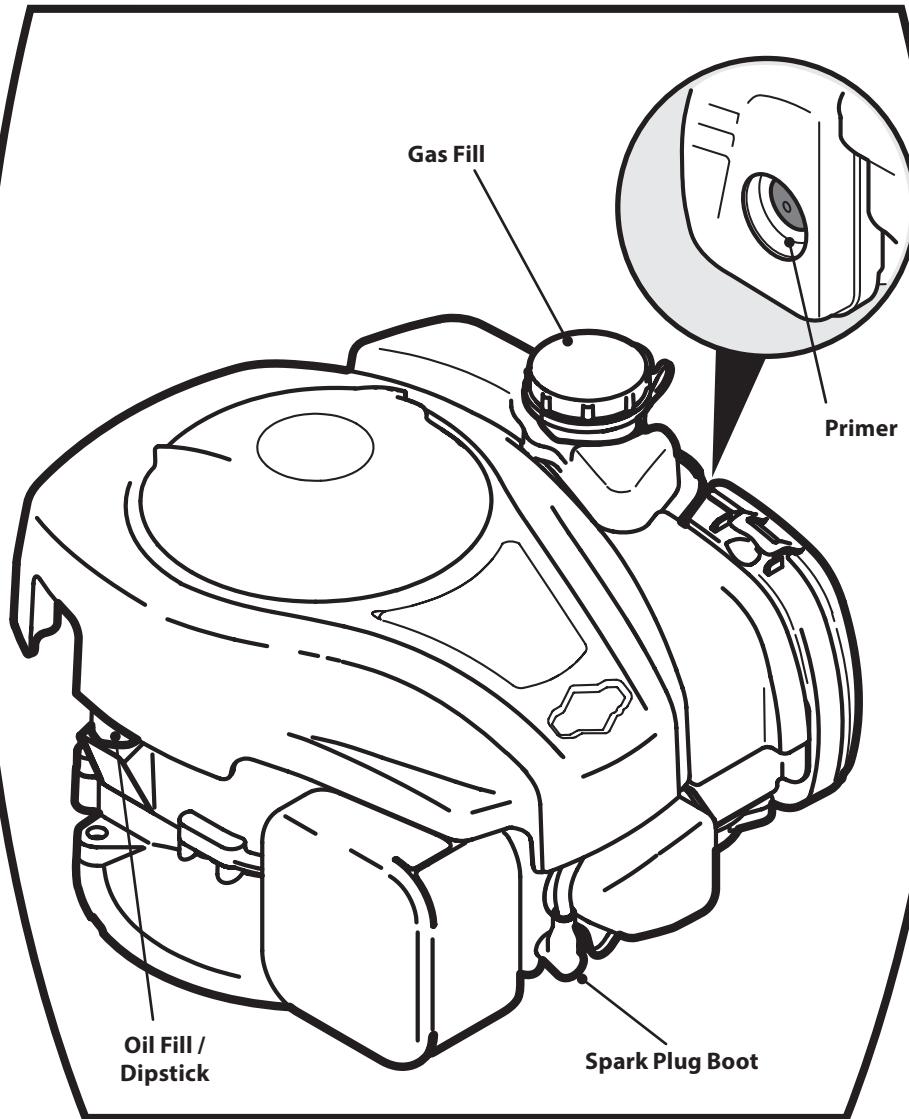
Pour the entire contents of the oil bottle (supplied) into the oil fill. Check the oil level using the dipstick. (Refer to the Operator's Manual)

8

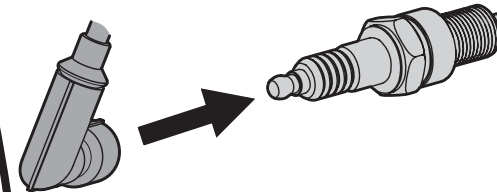


Fill fuel tank with clean, fresh gasoline. Do not fill above the base of fuel tank neck.

FAST START GUIDE

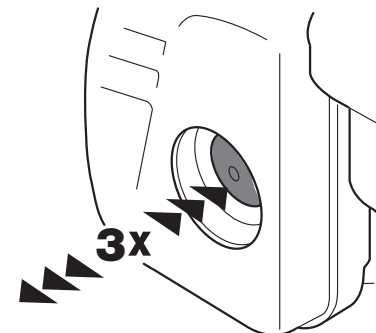


9



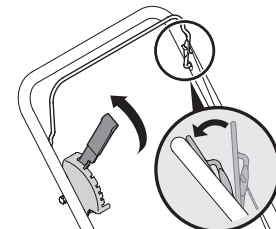
Make sure the spark plug boot is connected to the spark plug before attempting to start.

10



Push the primer three times.

11



While standing behind the machine, pivot the Blade Control Handle against the upper handle and move the blade depth control lever to its highest position.

Grasp the starter rope handle and pull with quick, full-arm stroke. If the engine does not start after five pulls, repeat steps 10 and 11.



IMPORTANT: READ OPERATOR'S MANUAL AND ENGINE MANUAL THOROUGHLY AND FOLLOW THE IMPORTANT SAFE OPERATION PRACTICES BEFORE OPERATING .



Need Help? Call 1-888-TO-HELP-U