

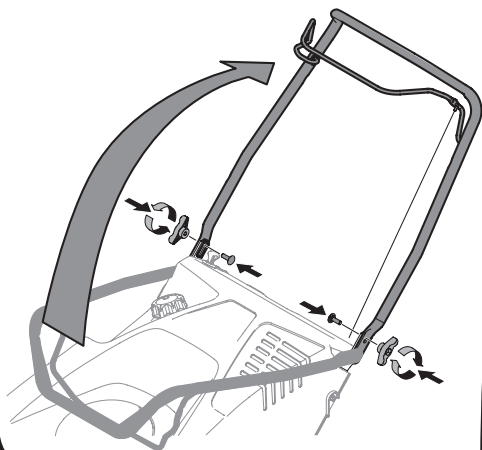


**READ AND UNDERSTAND ALL INSTRUCTION, WARNING, AND DANGER LABELS.**  
**PARA INSTRUCCIONES EN ESPAÑOL, REFIÉRASE AL MANUAL DEL OPERADOR.**



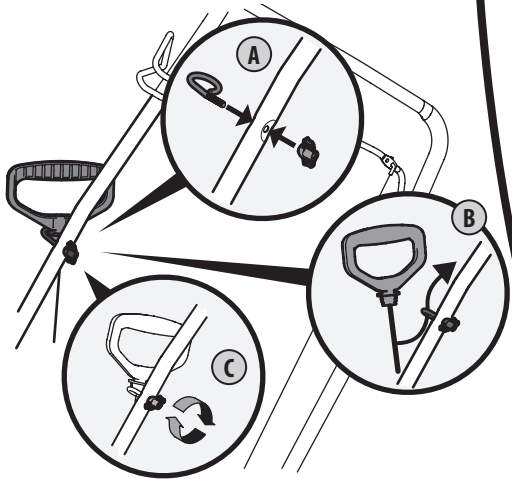
**1**

- Remove the wing knobs and carriage bolts from the upper portion of the lower handle.
- Pivot the upper handle upward.
- Reattach the wing knobs to secure the handle.

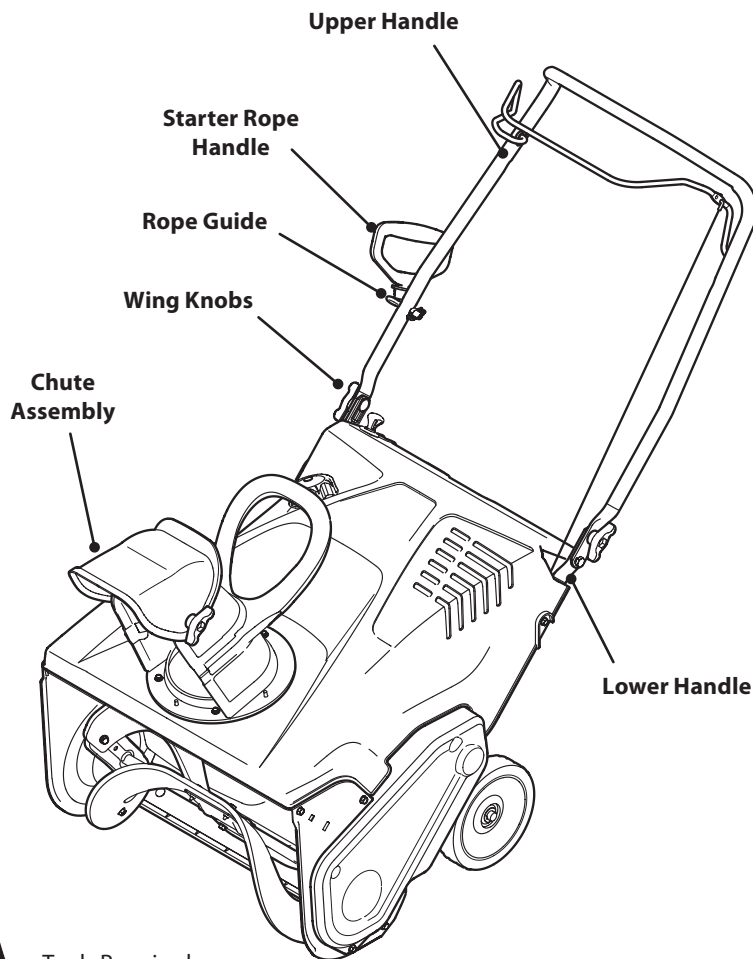


**2**

- Loosley attach the wing knob and rope guide to the upper handle.
- Pull the starter rope handle and route the starter rope through the rope guide.
- Tighten the wing knob.



# FAST START GUIDE

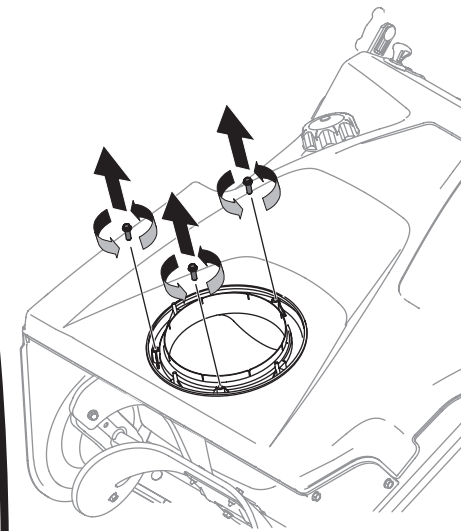


Tools Required:

- One 5/16-inch wrench (or adjustable wrench)

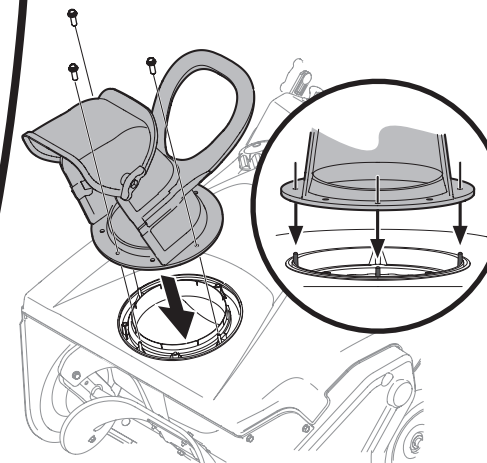
**3**

Remove the screws from the chute base.



**4**

Position the chute assembly on the chute base and secure with the screws removed in Step 3.



**IMPORTANT: READ OPERATOR'S MANUAL AND ENGINE MANUAL THOROUGHLY AND FOLLOW THE IMPORTANT SAFE OPERATION PRACTICES BEFORE OPERATING.**



**Need Help? Call 1-888-TO-HELP-U**



**READ AND UNDERSTAND ALL INSTRUCTION, WARNING, AND DANGER LABELS.  
PARA INSTRUCCIONES EN ESPAÑOL, REFIÉRESE AL MANUAL DEL OPERADOR.**



# FAST START GUIDE

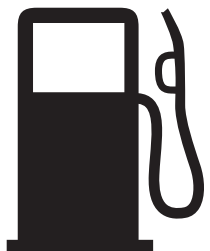
5

Pour the entire contents of the oil bottle (included in carton) into the oil fill.

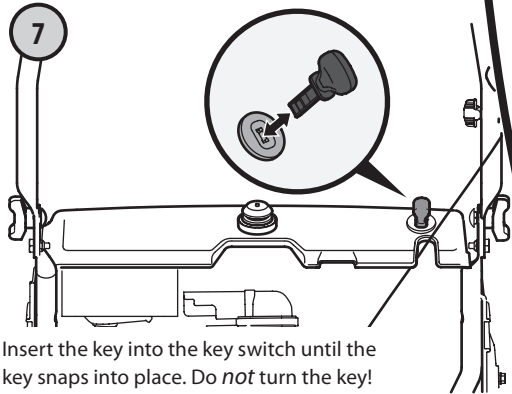


6

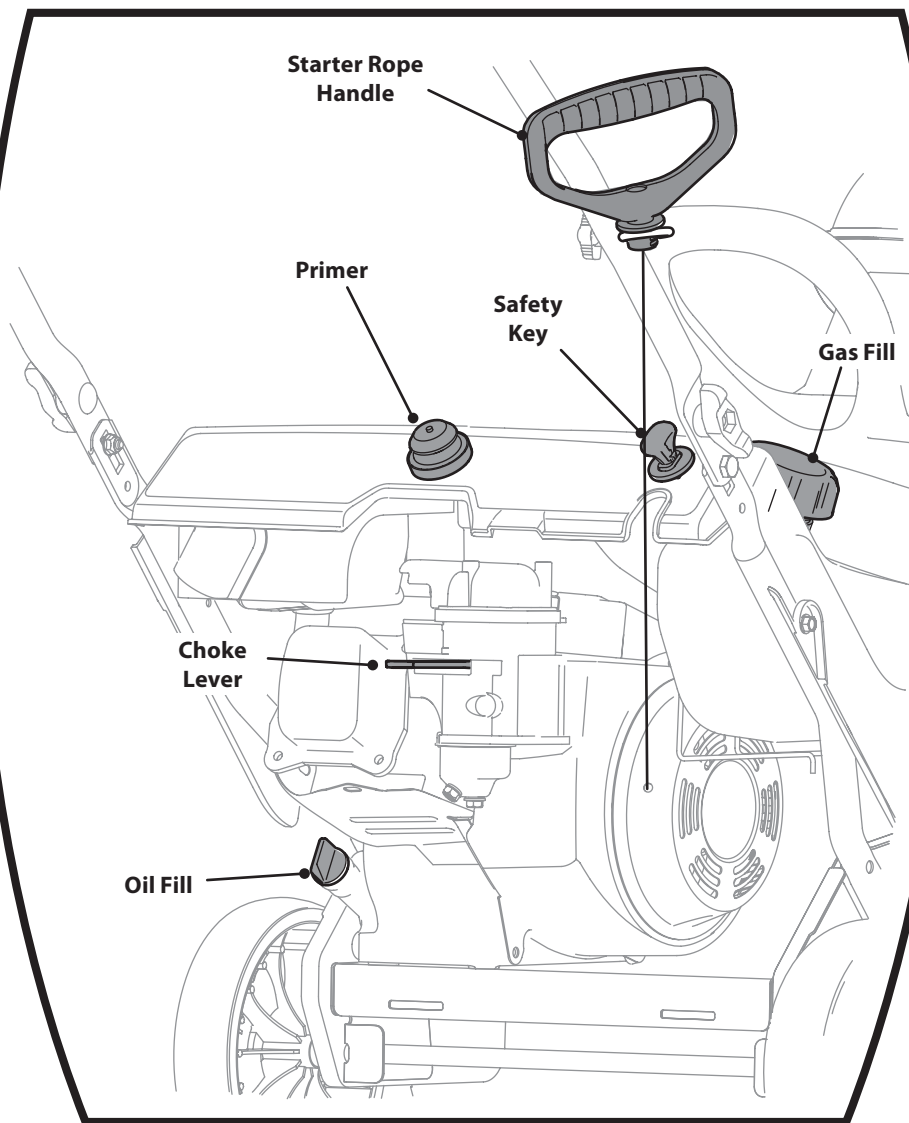
Fill fuel tank with clean, fresh gasoline. Do not fill above the base of fuel tank neck.



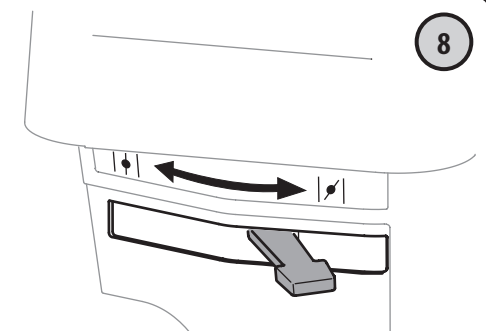
7



Insert the key into the key switch until the key snaps into place. Do *not* turn the key!

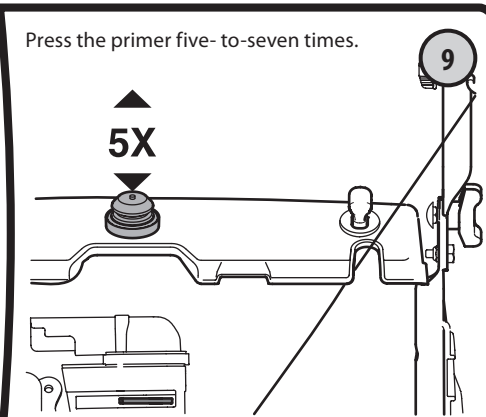


8



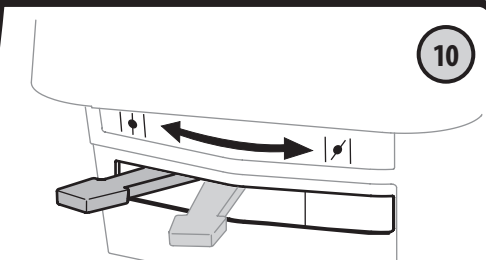
Move the choke lever into the Choke position.

9



Press the primer five- to-seven times.

10



Grasp starter rope handle and pull with quick, full-arm stroke.

After starting, move the choke lever to 1/2-choke position. When the engine runs smoothly, move it into the Run position.



**IMPORTANT: READ OPERATOR'S MANUAL AND ENGINE MANUAL THOROUGHLY AND FOLLOW THE IMPORTANT SAFE OPERATION PRACTICES BEFORE OPERATING .**



**Need Help? Call 1-888-TO-HELP-U**