

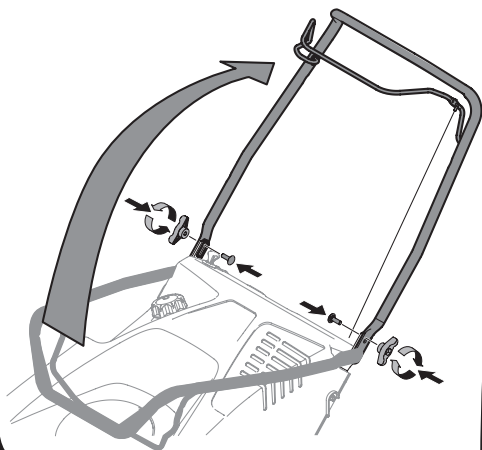


READ AND UNDERSTAND ALL INSTRUCTION, WARNING, AND DANGER LABELS.
PARA INSTRUCCIONES EN ESPAÑOL, REFIÉRASE AL MANUAL DEL OPERADOR.



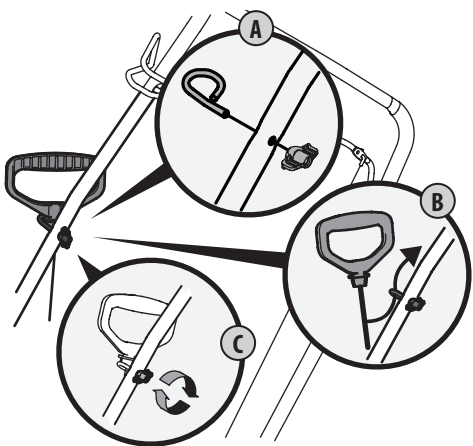
1

- A. Remove the wing knobs and carriage bolts from the upper portion of the lower handle.
- B. Pivot the upper handle upward.
- C. Reattach the wing knobs to secure the handle.

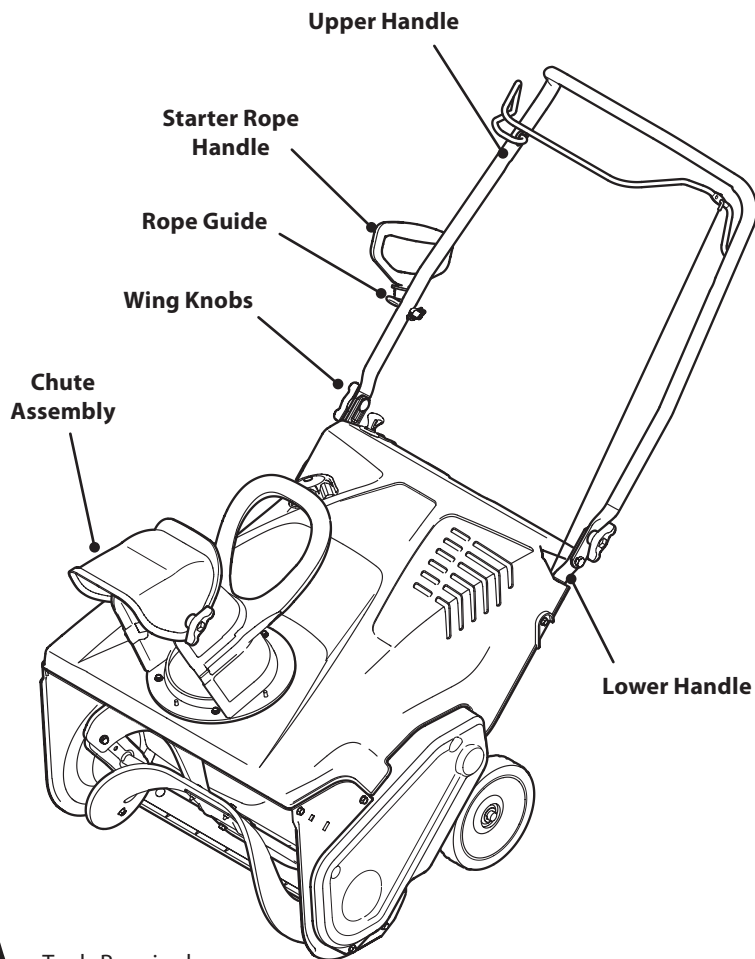


2

- A. Loosely attach the wing knob and rope guide (opening facing the rear) to the upper handle.
- B. Pull the starter rope handle and route the starter rope through the rope guide.
- C. Tighten the wing knob.



FAST START GUIDE

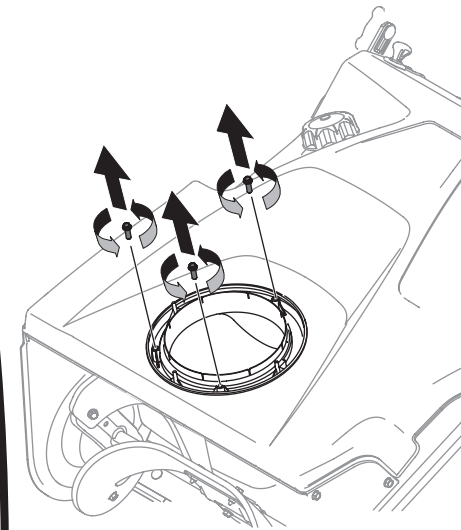


Tools Required:

- One 5/16-inch wrench (or adjustable wrench)

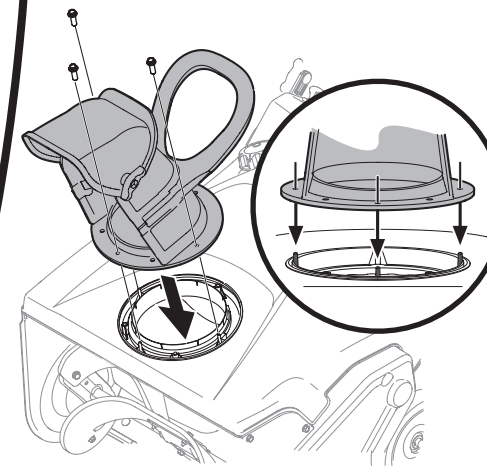
3

Remove the screws from the chute base.



4

Position the chute assembly on the chute base and secure with the screws removed in Step 3.



IMPORTANT: READ OPERATOR'S MANUAL AND ENGINE MANUAL THOROUGHLY AND FOLLOW THE IMPORTANT SAFE OPERATION PRACTICES BEFORE OPERATING .



Need Help? Call 1-888-TO-HELP-U



READ AND UNDERSTAND ALL INSTRUCTION, WARNING, AND DANGER LABELS.
PARA INSTRUCCIONES EN ESPAÑOL, REFIÉRASE AL MANUAL DEL OPERADOR.



FAST START GUIDE

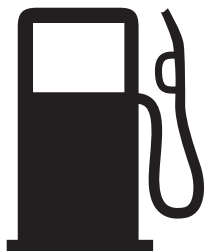
5

Pour the entire contents of the oil bottle (included in carton) into the oil fill.



6

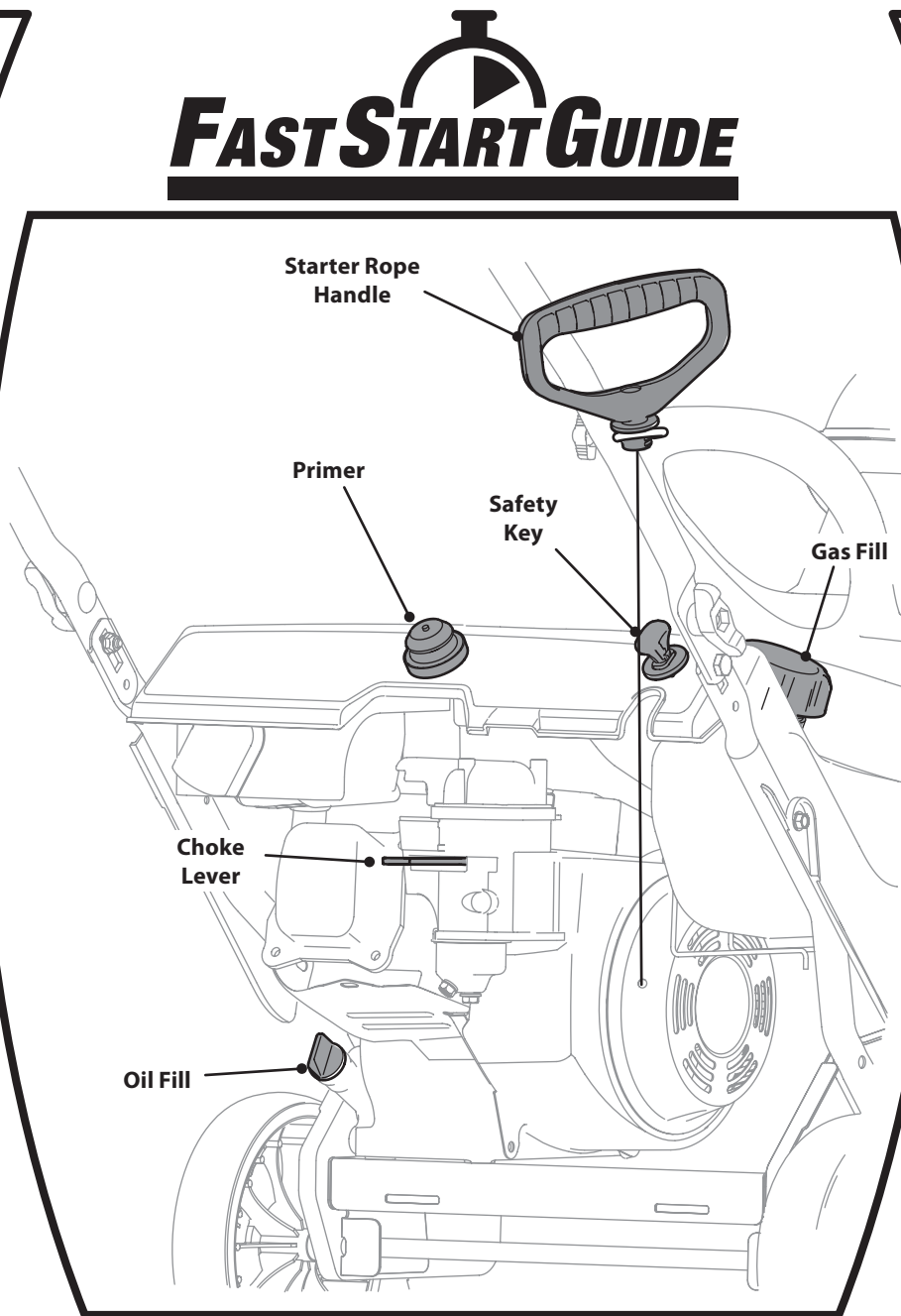
Fill fuel tank with clean, fresh gasoline. Do not fill above the base of fuel tank neck.



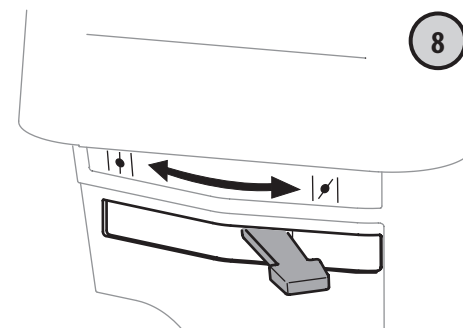
7



Insert the key into the key switch until the key snaps into place. Do *not* turn the key!

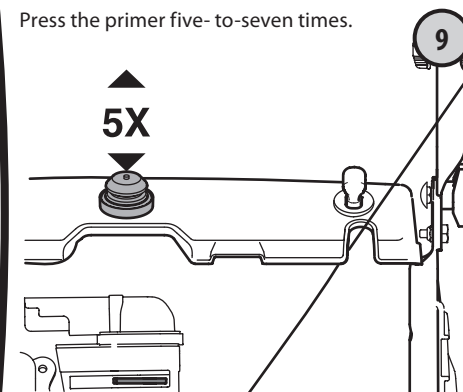


8



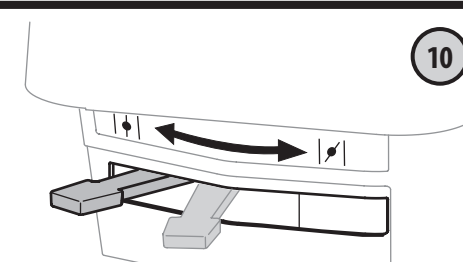
Move the choke lever into the Choke position.

9



Press the primer five- to-seven times.

10



Grasp starter rope handle and pull with quick, full-arm stroke.

After starting, move the choke lever to 1/2-choke position. When the engine runs smoothly, move it into the Run position.



IMPORTANT: READ OPERATOR'S MANUAL AND ENGINE MANUAL THOROUGHLY AND FOLLOW THE IMPORTANT SAFE OPERATION PRACTICES BEFORE OPERATING.



Need Help? Call 1-888-TO-HELP-U