

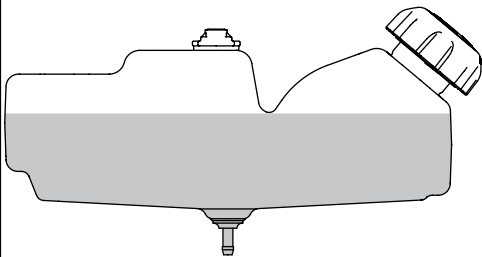


READ AND UNDERSTAND ALL INSTRUCTION, WARNING, AND DANGER LABELS.
PARA INSTRUCCIONES EN ESPAÑOL, REFIÉRASE AL MANUAL DEL OPERADOR.



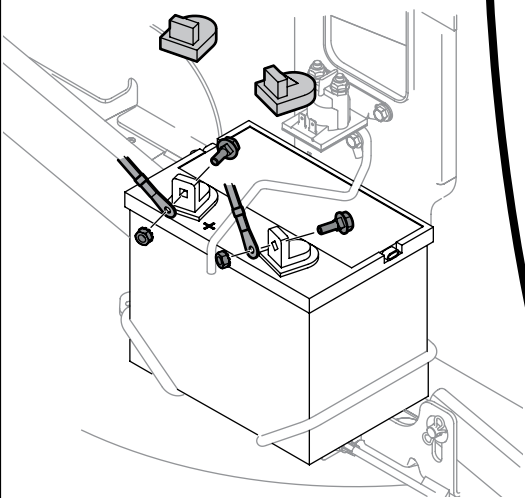
1

Fill fuel with gasoline purchased within the last 10 days and stored in a non-rusty/dirty can. Do not fill above the base of fuel tank neck. Check Oil level as instructed in your Engine Operator's Manual.

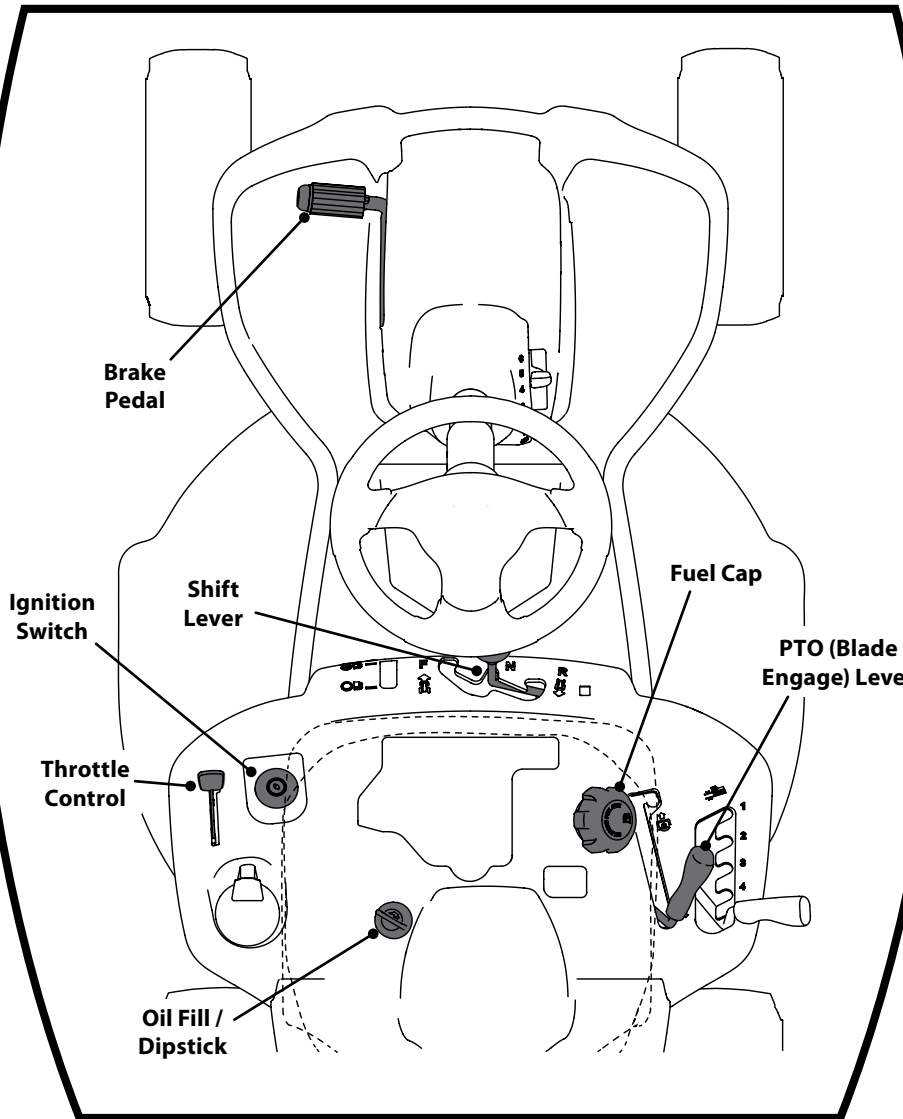


2

Check to make sure that both battery cables are connected.



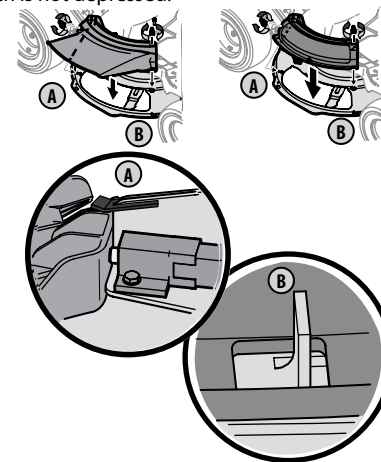
FAST START GUIDE




3

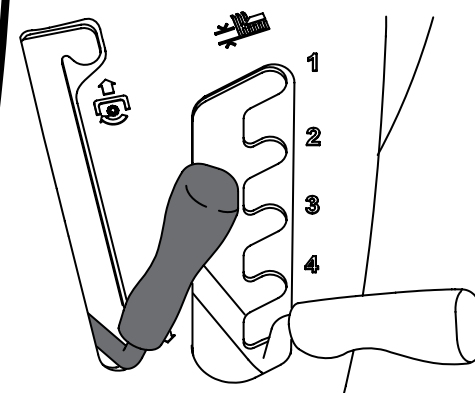
Make sure that the deck chute/mulch plug are properly installed and the safety switch on the deck surface is depressed.

NOTE: The engine will not start if the safety switch is not depressed.



4

Place PTO (Blade Engage) Lever in the OFF  position.



IMPORTANT: READ OPERATOR'S MANUAL AND ENGINE MANUAL THOROUGHLY AND FOLLOW THE IMPORTANT SAFE OPERATION PRACTICES BEFORE OPERATING .



Need Help? Call 1-888-TO-HELP-U

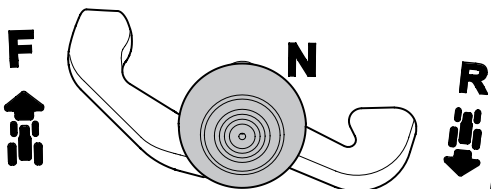


READ AND UNDERSTAND ALL INSTRUCTION, WARNING, AND DANGER LABELS.
PARA INSTRUCCIONES EN ESPAÑOL, REFIÉRASE AL MANUAL DEL OPERADOR.



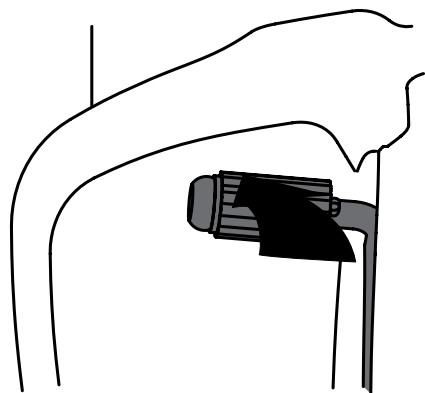
1

Place Shift Lever in N (NEUTRAL) position.

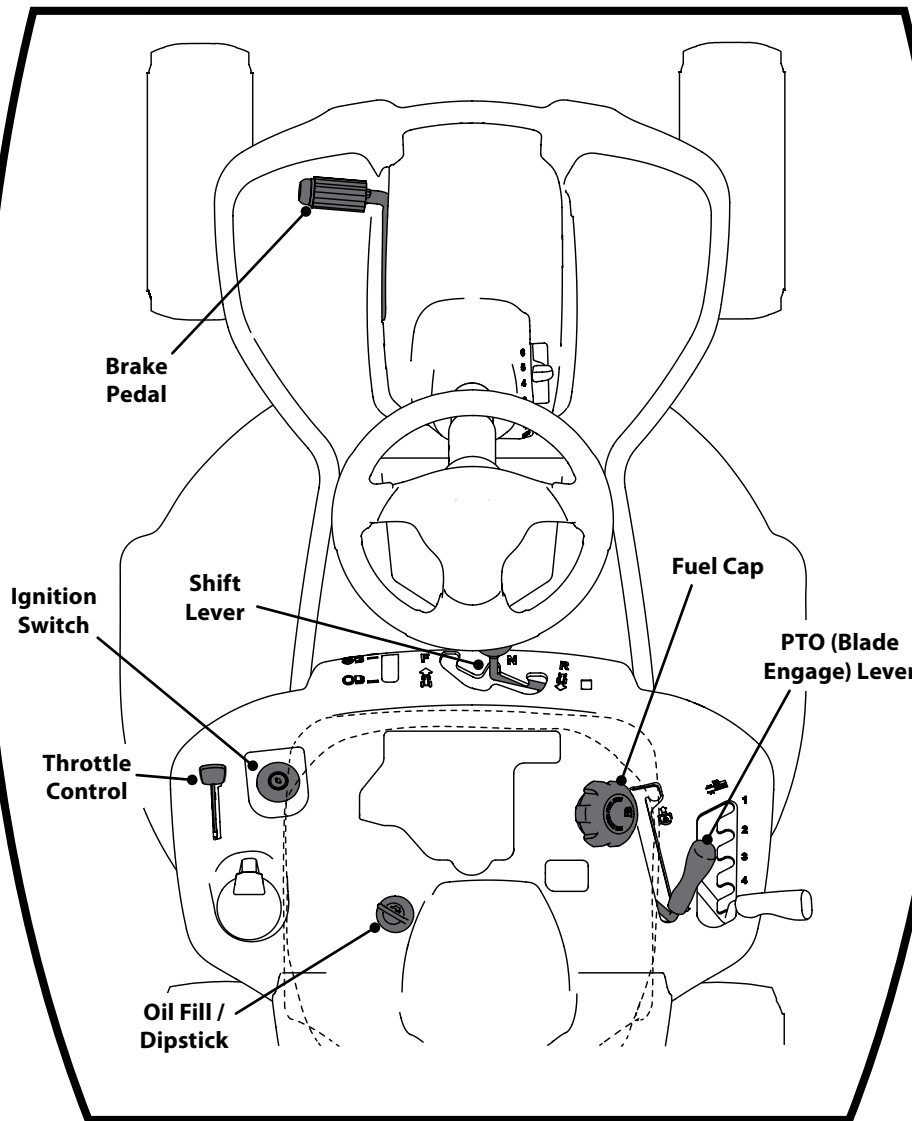


2

Fully depress the Brake Pedal and engage the Parking Brake.

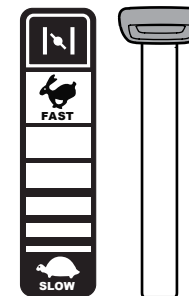


FAST START GUIDE

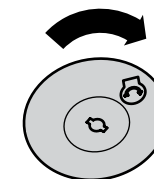


3

Move the throttle control into the CHOKE position.

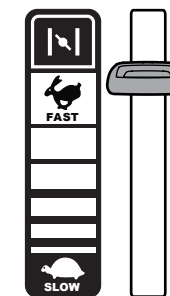


4



Insert the ignition key and turn it to the START position.
 Release the ignition key after the engine starts.

5



Move Throttle to Fast position.



IMPORTANT: READ OPERATOR'S MANUAL AND ENGINE MANUAL THOROUGHLY AND FOLLOW THE IMPORTANT SAFE OPERATION PRACTICES BEFORE OPERATING .



Need Help? Call 1-888-TO-HELP-U