

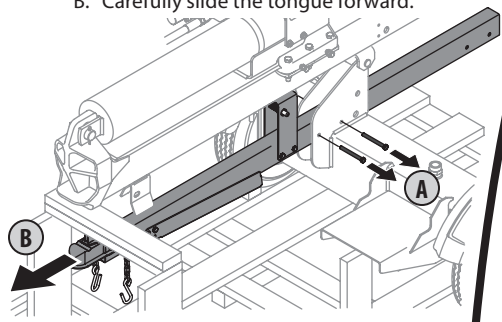


**READ AND UNDERSTAND ALL INSTRUCTION, WARNING, AND DANGER LABELS.
PARA INSTRUCCIONES EN ESPAÑOL, REFIÉRASE AL MANUAL DEL OPERADOR.**



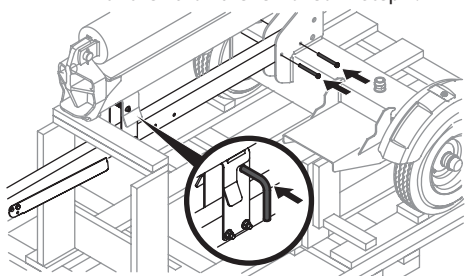
1

- Remove the hardware securing the tongue to the logsplitter frame.
- Carefully slide the tongue forward.



2

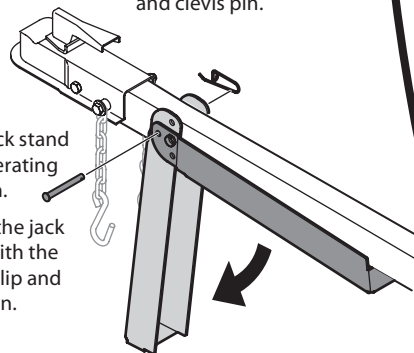
- Use the beam lock to secure the tongue to the beam bracket.
- Secure the tongue to the logsplitter frame with the hardware removed in Step 1.



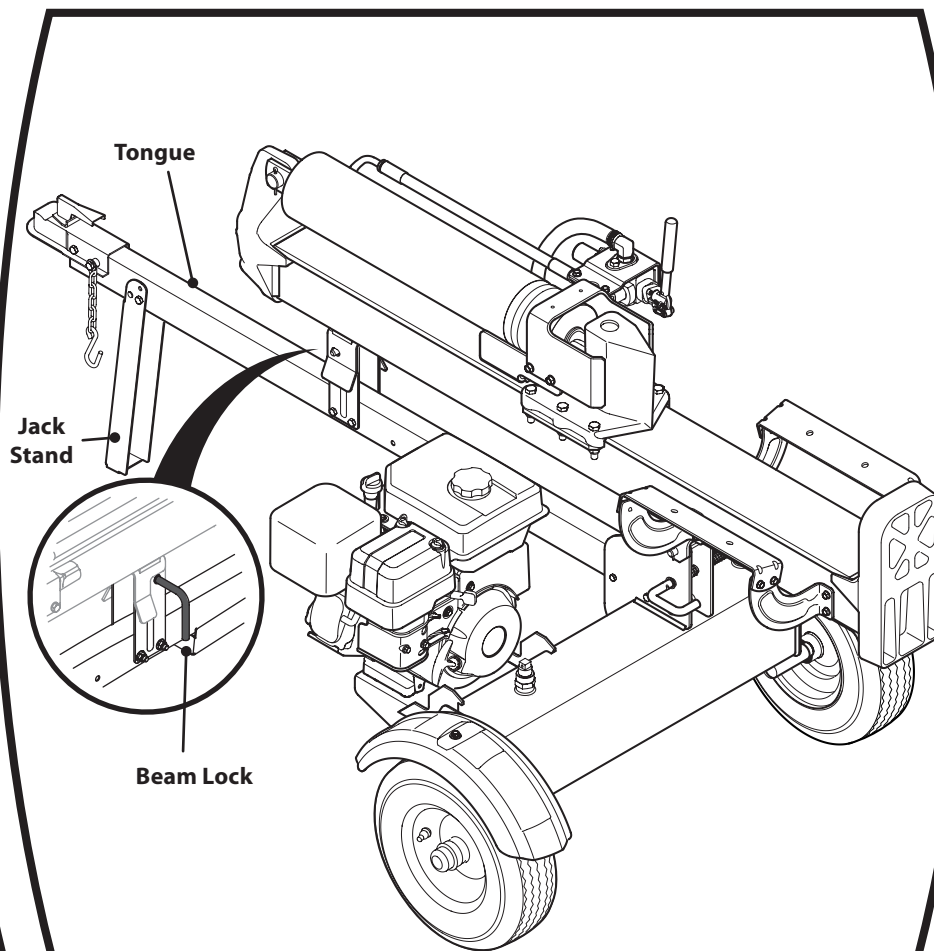
3

- Remove the spring clip and clevis pin.

- Pivot jack stand into operating position.
- Secure the jack stand with the spring clip and clevis pin.



FAST START GUIDE

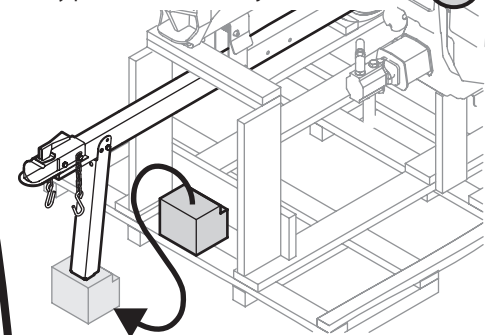


Tools Required:

- Two 9/16-inch wrenches (or adjustable wrenches)
- Claw hammer and/or pry bar
- Wire Cutters, tin snips or utility knife

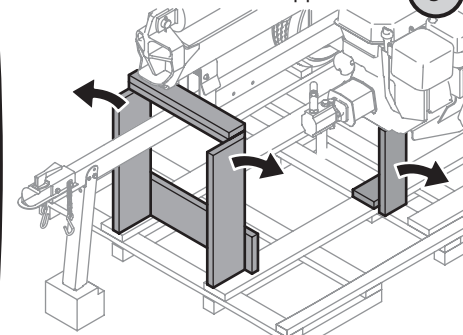
Pry the block of wood from the base of the crate and carefully place it beneath the jack stand.

4



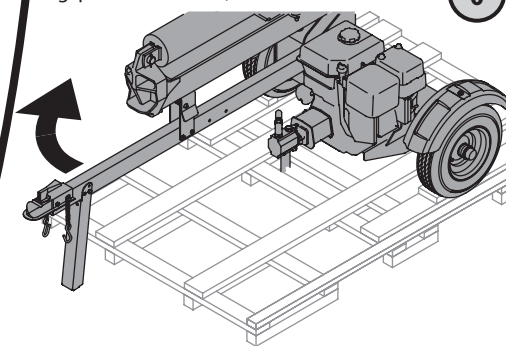
Cut and discard all shipping straps. Remove and discard wooden supports.

5



Lift the tongue and carefully rotate the logsplitter clockwise, off of the crate.

6



IMPORTANT: READ OPERATOR'S MANUAL AND ENGINE MANUAL THOROUGHLY AND FOLLOW THE IMPORTANT SAFE OPERATION PRACTICES BEFORE OPERATING.



Need Help? Call 1-888-TO-HELP-U

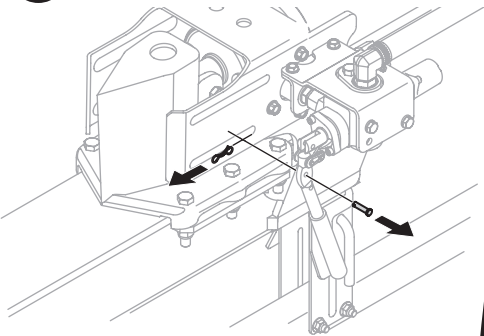


READ AND UNDERSTAND ALL INSTRUCTION, WARNING, AND DANGER LABELS.
PARA INSTRUCCIONES EN ESPAÑOL, REFIÉRASE AL MANUAL DEL OPERADOR.



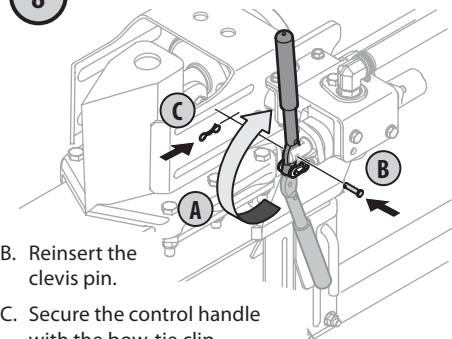
7

Remove the bow-tie clip and clevis pin from the control handle.



8

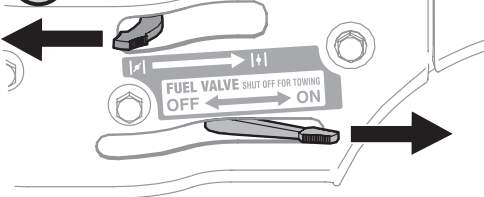
A. Pivot the control handle upward



B. Reinsert the clevis pin.

C. Secure the control handle with the bow-tie clip.

9

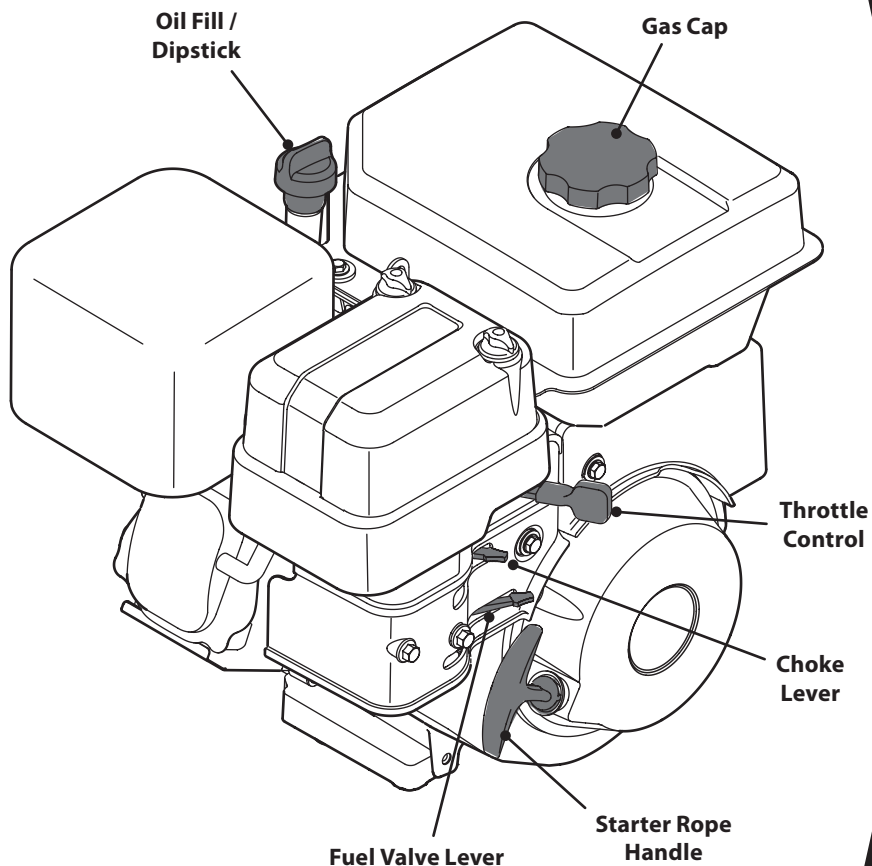


A. Remove the gas cap and fill the fuel tank to the bottom of the fuel level limit. Do not overfill

B. Move fuel valve lever to ON position.

C. Move choke lever to Choke position.

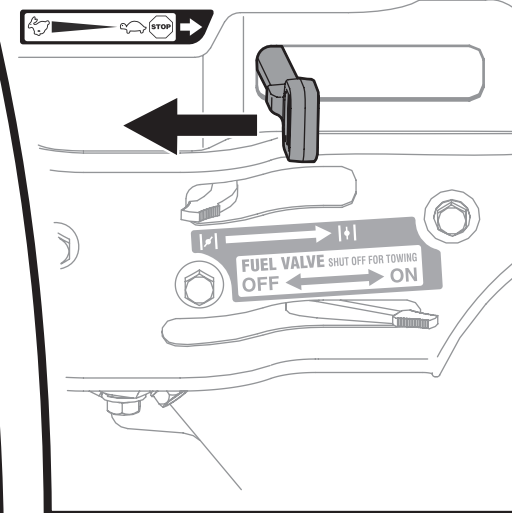
FAST START GUIDE



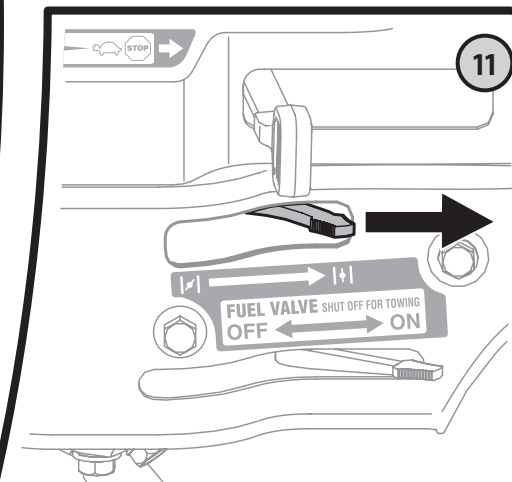
IMPORTANT: Check engine oil, lubricate beam, check hydraulic fluid level and prime the pump before operating. Refer to Operator's Manual for instructions.

Move throttle control into the Fast position.

10



11



Grasp the Starter Rope Handle and pull with a quick, full arm stroke.

If engine does not start after ten seconds of repeated pulls, wait a few minutes and repeat.

Move the choke lever to the Run position after the engine starts.



IMPORTANT: READ OPERATOR'S MANUAL AND ENGINE MANUAL THOROUGHLY AND FOLLOW THE IMPORTANT SAFE OPERATION PRACTICES BEFORE OPERATING.



Need Help? Call 1-888-TO-HELP-U