



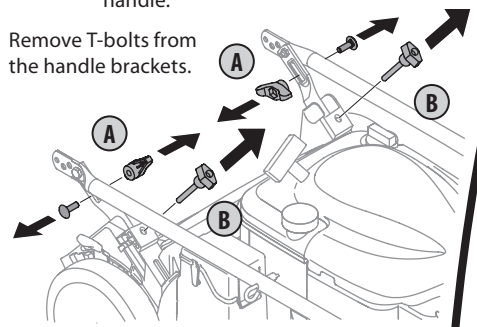
READ AND UNDERSTAND ALL INSTRUCTION, WARNING, AND DANGER LABELS.
PARA INSTRUCCIONES EN ESPAÑOL, REFIÉRASE AL MANUAL DEL OPERADOR.



1

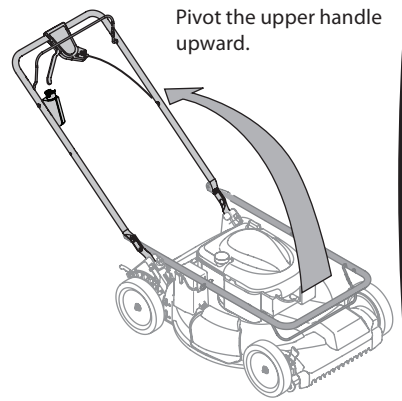
A. Remove the wing nuts and carriage bolts securing the upper handle to the lower handle.

B. Remove T-bolts from the handle brackets.



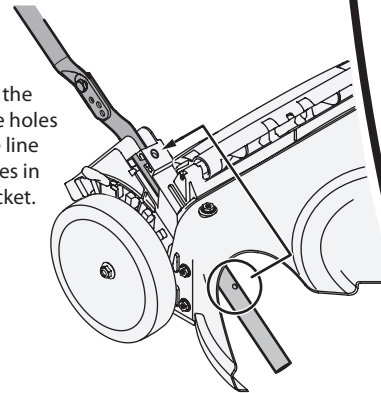
2

Pivot the upper handle upward.

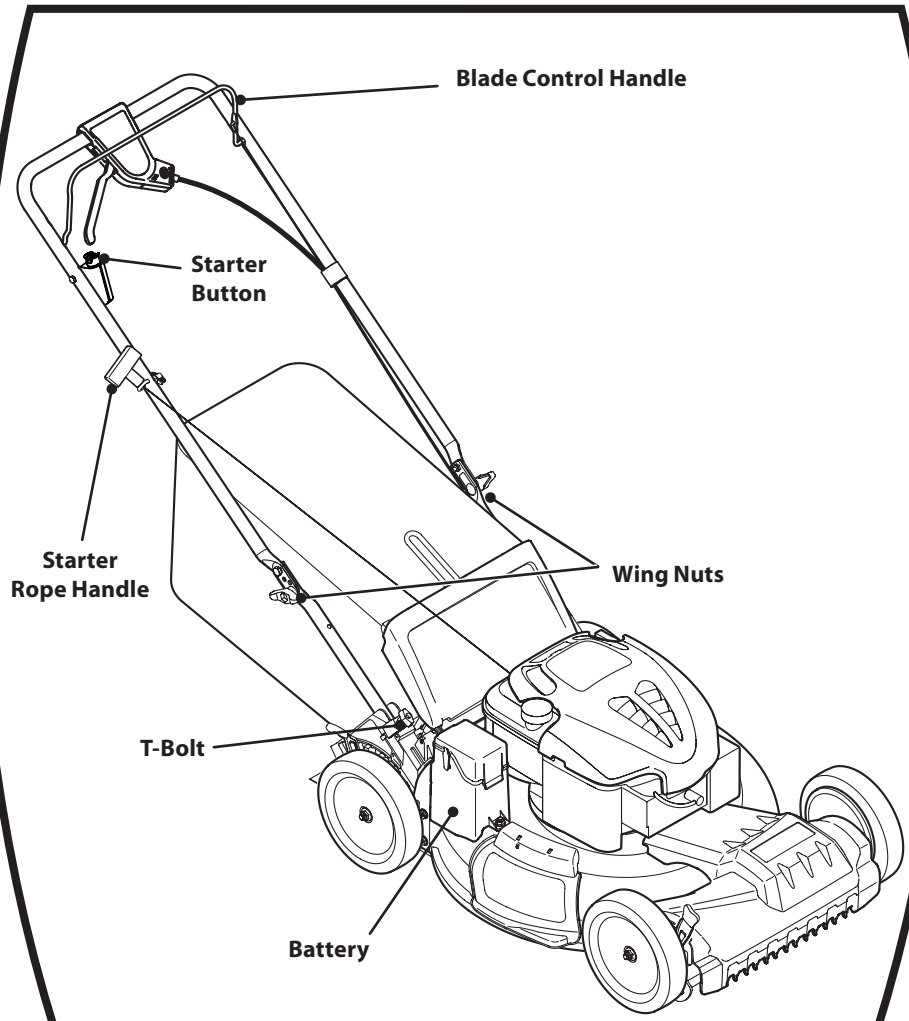


3

Pull upward on the handle until the holes in lower handle line up with the holes in the handle bracket.



FAST START GUIDE

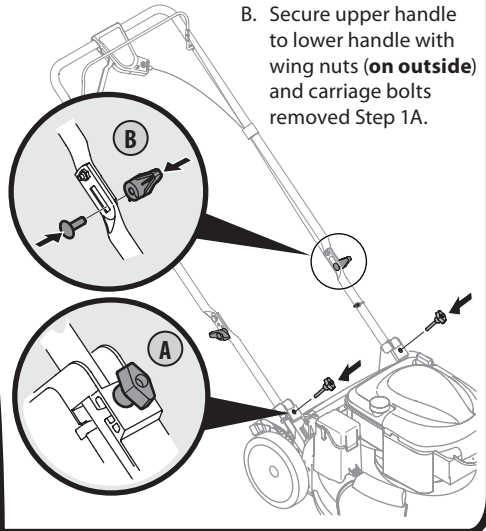


Note: Refer to your Operator's Manual for instructions on attaching the grass collector.

A. Insert the T-bolts removed in Step 1B through the handle brackets to secure the handle in place.

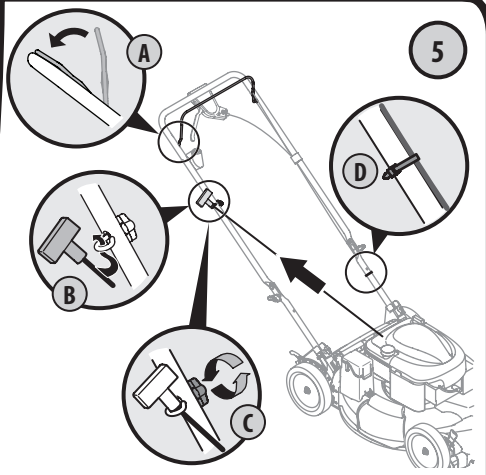
4

B. Secure upper handle to lower handle with wing nuts (**on outside**) and carriage bolts removed Step 1A.



5

- A. Hold blade control handle against upper handle.
- B. Slowly pull starter rope handle from engine and slip starter rope into the rope guide.
- C. Tighten rope guide wing knob.
- D. Use cable tie to secure cables to lower handle.



IMPORTANT: READ OPERATOR'S MANUAL AND ENGINE MANUAL THOROUGHLY AND FOLLOW THE IMPORTANT SAFE OPERATION PRACTICES BEFORE OPERATING .



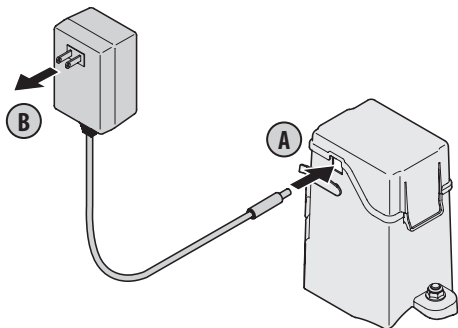
Need Help? Call 1-888-TO-HELP-U



READ AND UNDERSTAND ALL INSTRUCTION, WARNING, AND DANGER LABELS.
PARA INSTRUCCIONES EN ESPAÑOL, REFIÉRASE AL MANUAL DEL OPERADOR.

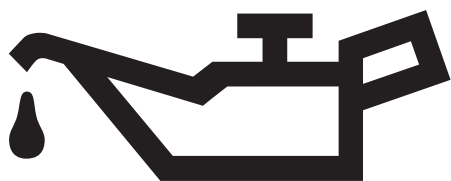


6



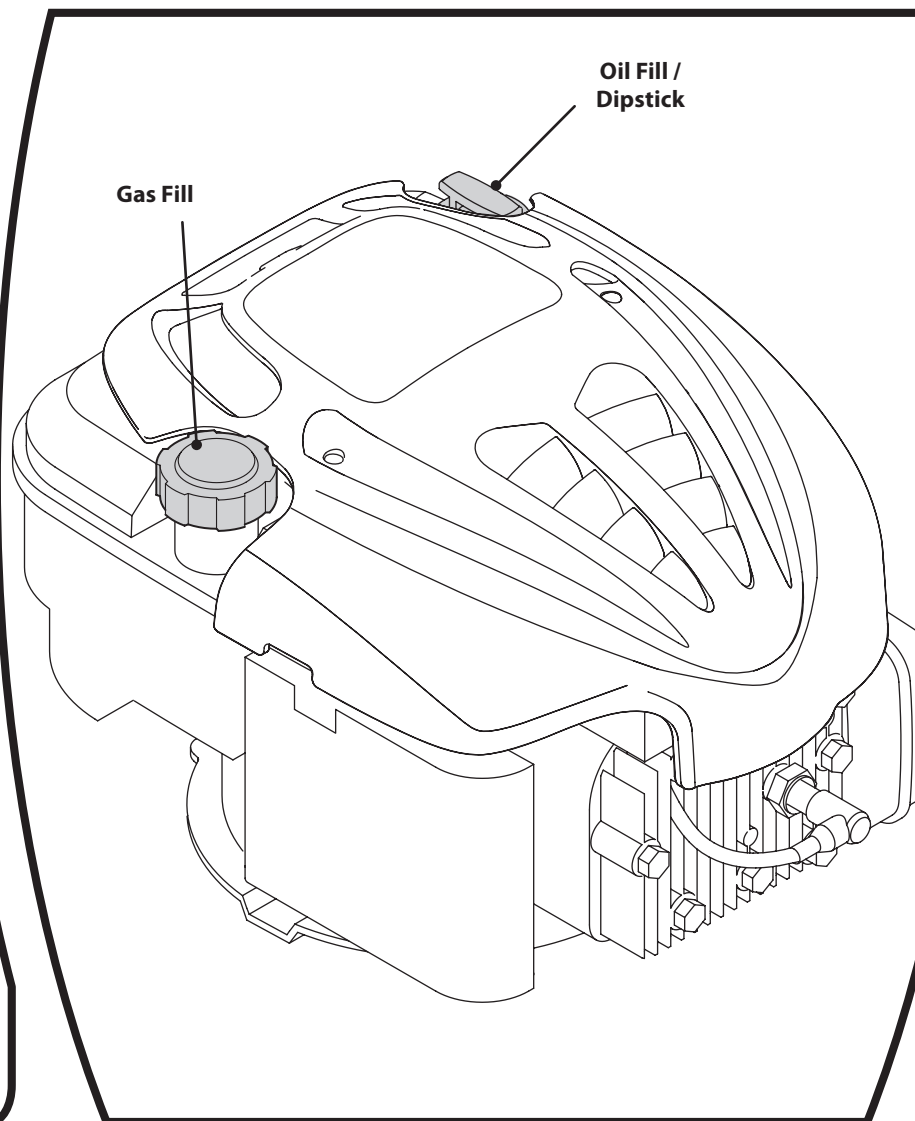
- A. Plug the battery charger into the port on the side of the battery housing.
- B. Insert the battery charger plug into a standard 120 volt outlet. Charge battery for eight to 10 hours. Do not charge longer than 12 hours.

7

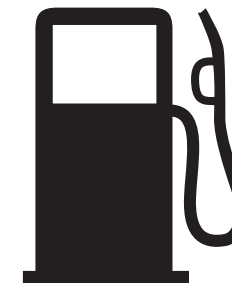


Pour the entire contents of the oil bottle (supplied) into the oil fill. Check the oil level using the dipstick. (Refer to the Operator's Manual)

FAST START GUIDE

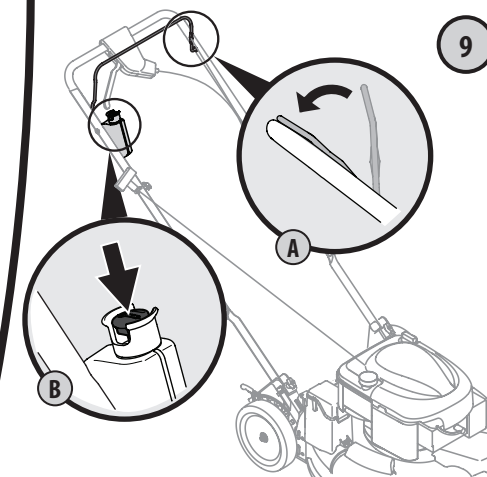


8



Fill fuel tank with clean, fresh gasoline. Do not fill above the base of fuel tank neck.

9



- A. While standing behind the machine, pivot the Blade Control Handle against the upper handle.
- B. Push the starter button to start the engine. If the engine does not start after repeated attempts, wait a few minutes and repeat.



IMPORTANT: READ OPERATOR'S MANUAL AND ENGINE MANUAL THOROUGHLY AND FOLLOW THE IMPORTANT SAFE OPERATION PRACTICES BEFORE OPERATING .



Need Help? Call 1-888-TO-HELP-U