



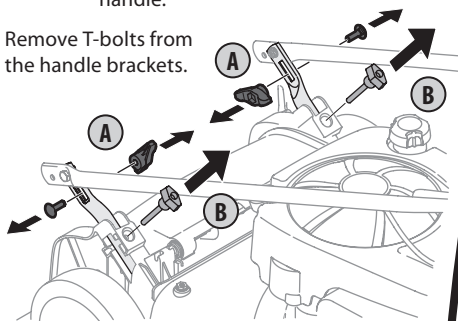
READ AND UNDERSTAND ALL INSTRUCTION, WARNING, AND DANGER LABELS.
 PARA INSTRUCCIONES EN ESPAÑOL, REFIÉRASE AL MANUAL DEL OPERADOR.



1

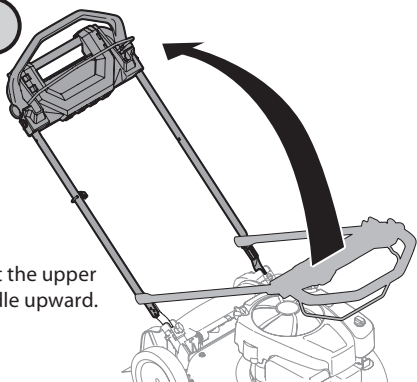
A. Remove the wing nuts and carriage bolts securing the upper handle to the lower handle.

B. Remove T-bolts from the handle brackets.



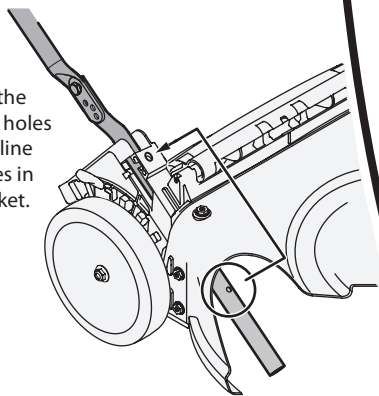
2

Pivot the upper handle upward.

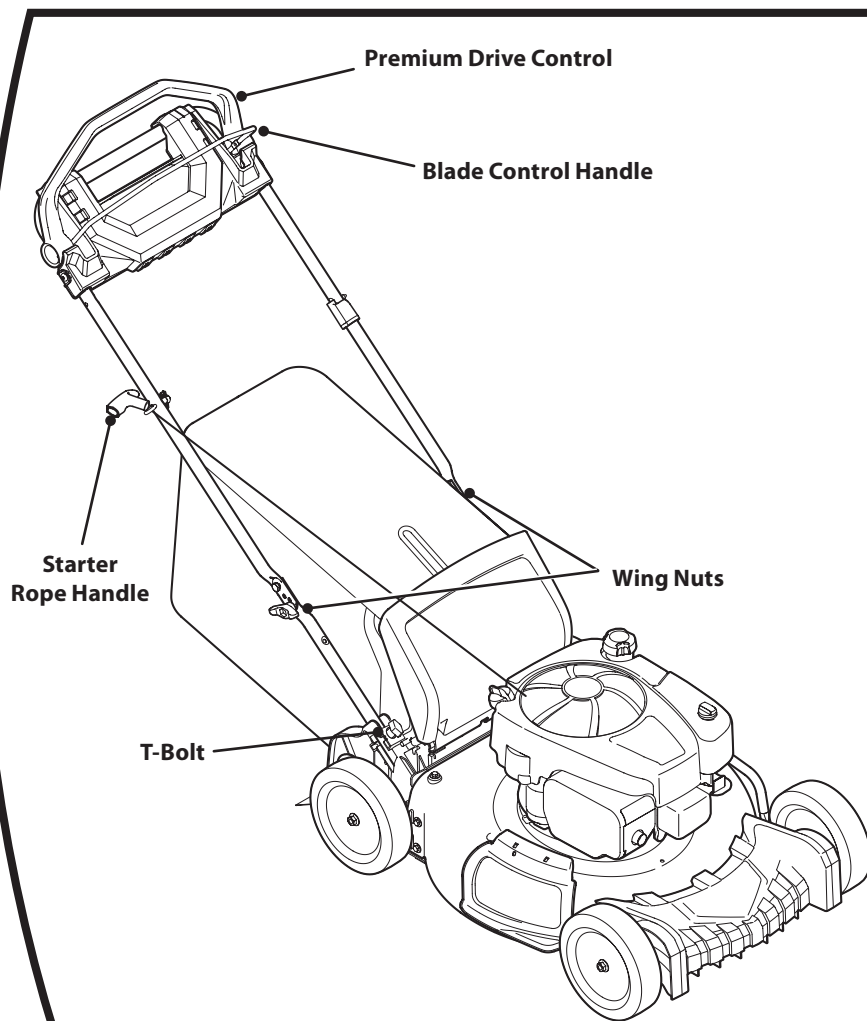


3

Pull upward on the handle until the holes in lower handle line up with the holes in the handle bracket.



FAST START GUIDE

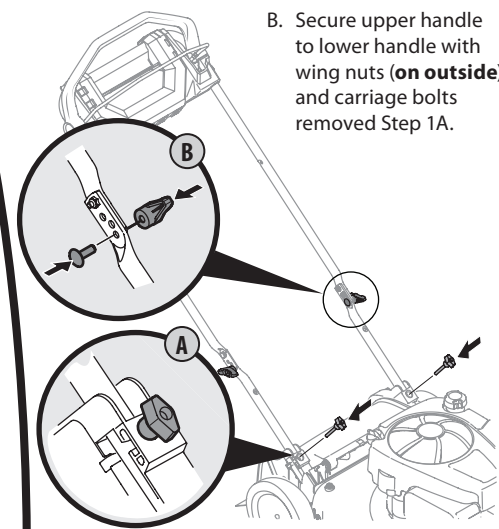


Note: Refer to your Operator's Manual for instructions on attaching the grass collector.

4

A. Insert the T-bolts removed in Step 1B through the handle brackets to secure the handle in place.

B. Secure upper handle to lower handle with wing nuts (on outside) and carriage bolts removed Step 1A.



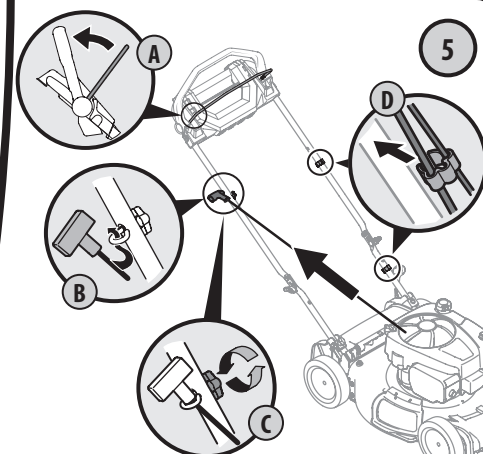
5

A. Hold the blade control handle against the premium drive control.

B. Slowly pull starter rope handle from engine and slip starter rope into the rope guide.

C. Tighten rope guide wing knob.

D. Use clips to secure cables to lower handle.



IMPORTANT: READ OPERATOR'S MANUAL AND ENGINE MANUAL THOROUGHLY AND FOLLOW THE IMPORTANT SAFE OPERATION PRACTICES BEFORE OPERATING .



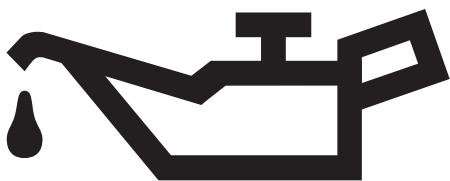
Need Help? Call 1-888-TO-HELP-U



READ AND UNDERSTAND ALL INSTRUCTION, WARNING, AND DANGER LABELS.
PARA INSTRUCCIONES EN ESPAÑOL, REFIÉRASE AL MANUAL DEL OPERADOR.

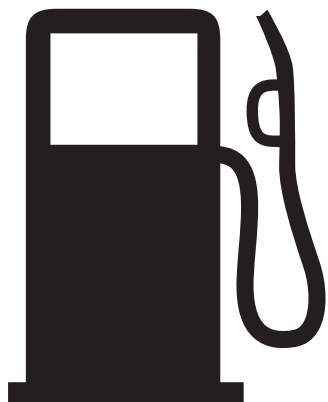


6



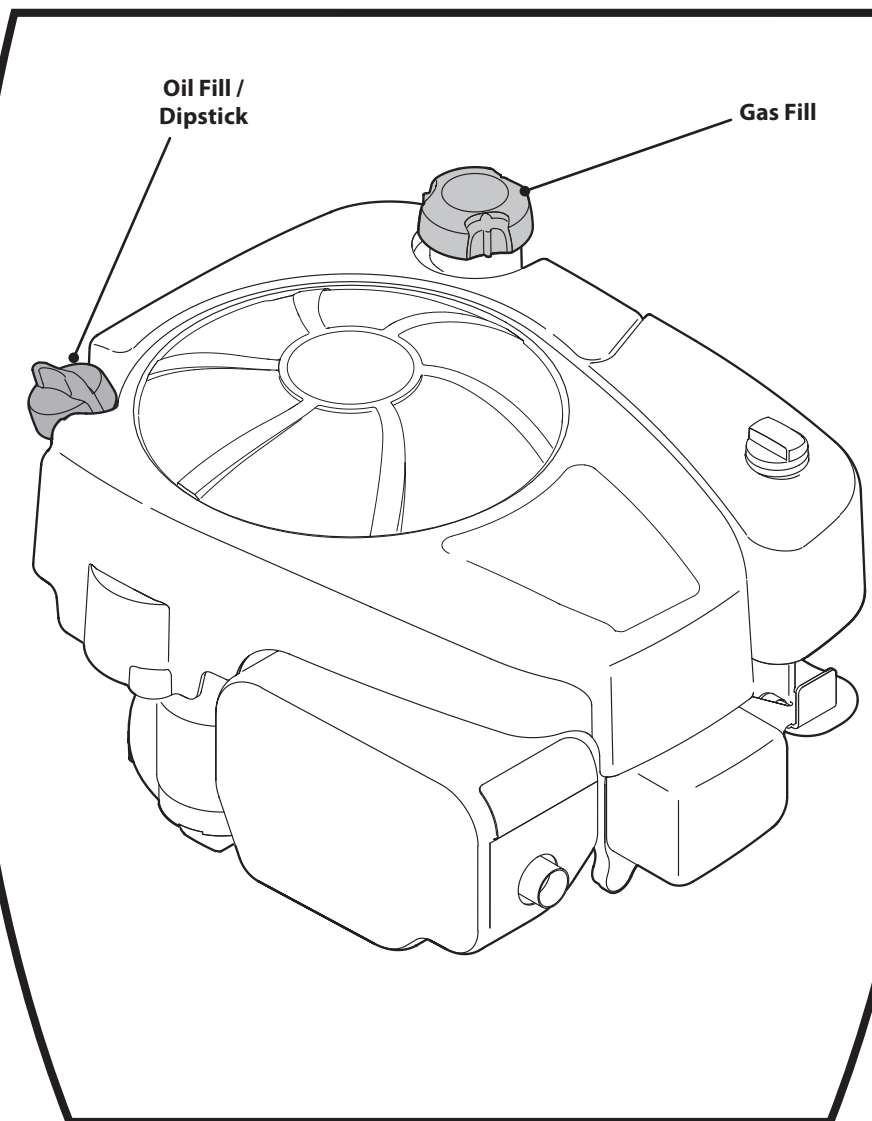
Pour the entire contents of the oil bottle (supplied) into the oil fill. Check the oil level using the dipstick. (Refer to the Operator's Manual)

7

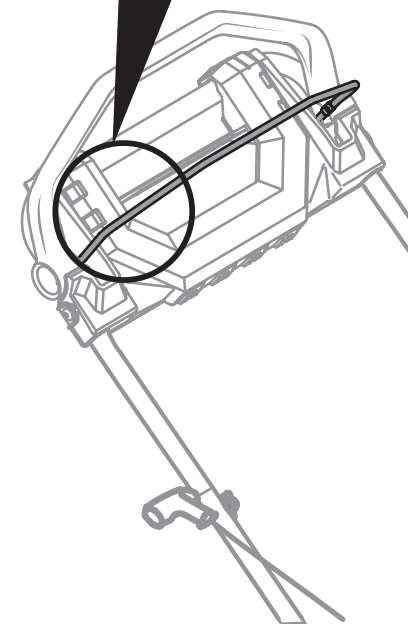
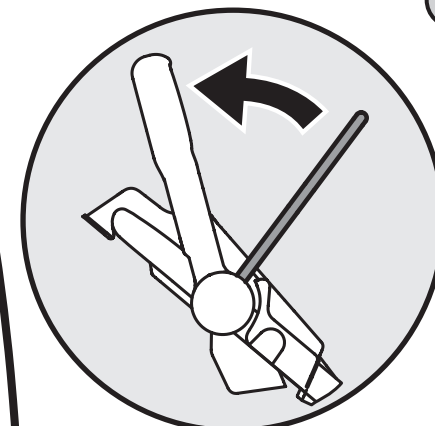


Fill fuel tank with clean, fresh gasoline. Do not fill above the base of fuel tank neck.

FAST START GUIDE



8



While standing behind the machine, pivot the Blade Control Handle against the premium drive control.

Grasp the starter rope handle and pull with quick, full-arm stroke. If the engine does not start after three pulls, wait a few minutes and repeat.



IMPORTANT: READ OPERATOR'S MANUAL AND ENGINE MANUAL THOROUGHLY AND FOLLOW THE IMPORTANT SAFE OPERATION PRACTICES BEFORE OPERATING .



Need Help? Call 1-888-TO-HELP-U