



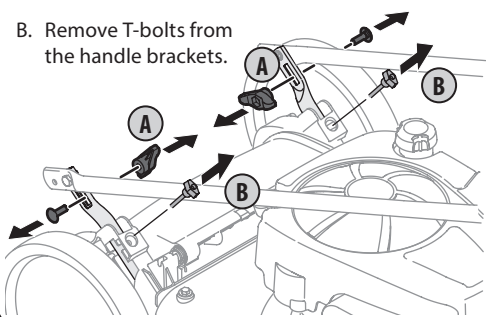
READ AND UNDERSTAND ALL INSTRUCTION, WARNING, AND DANGER LABELS.
 PARA INSTRUCCIONES EN ESPAÑOL, REFIÉRASE AL MANUAL DEL OPERADOR.



1

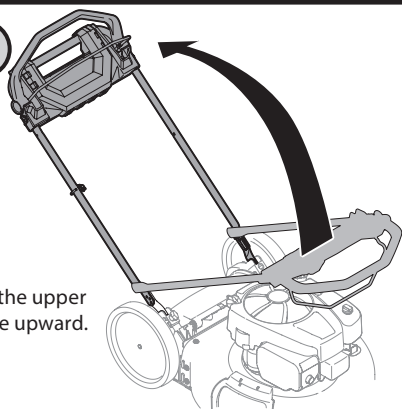
A. Remove the wing nuts and carriage bolts securing the upper handle to the lower handle.

B. Remove T-bolts from the handle brackets.



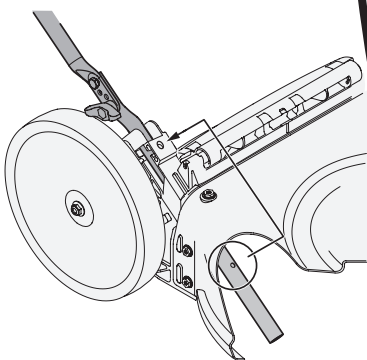
2

Pivot the upper handle upward.

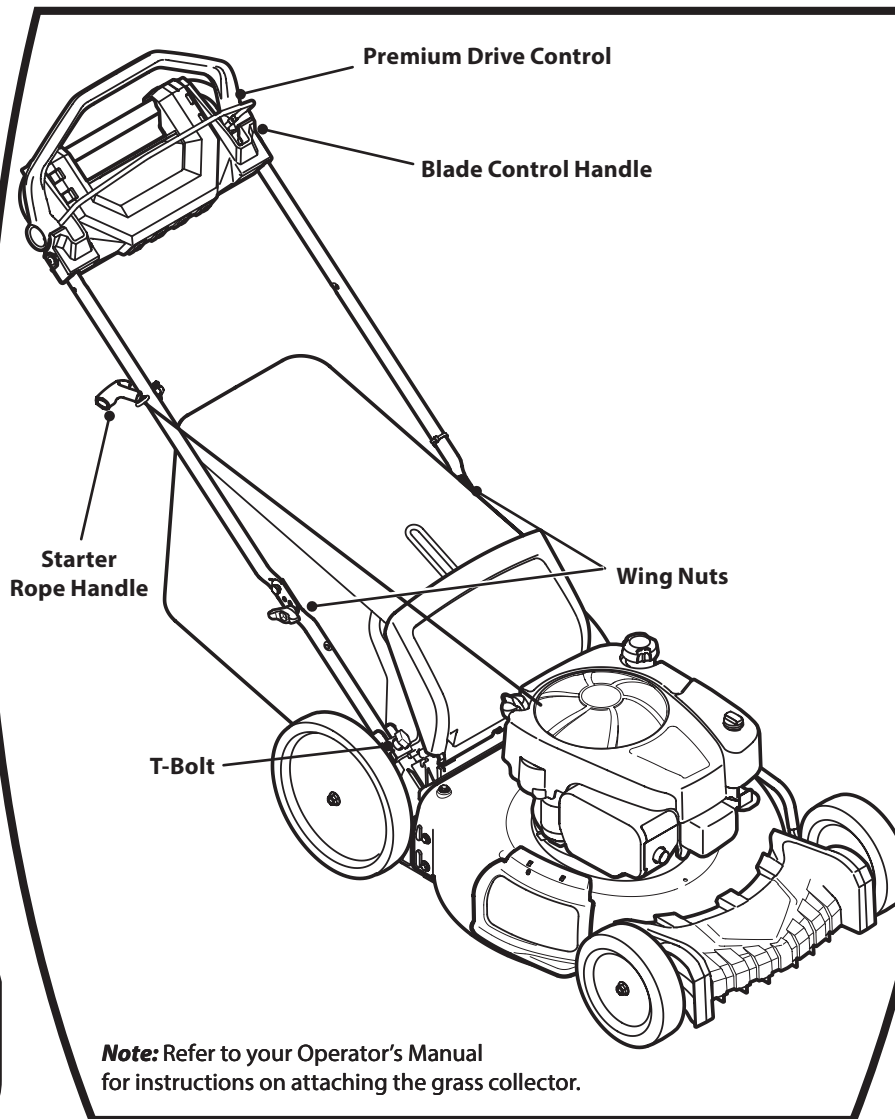


3

Pull upward on the handle until the holes in lower handle line up with the holes in the handle bracket.



FAST START GUIDE

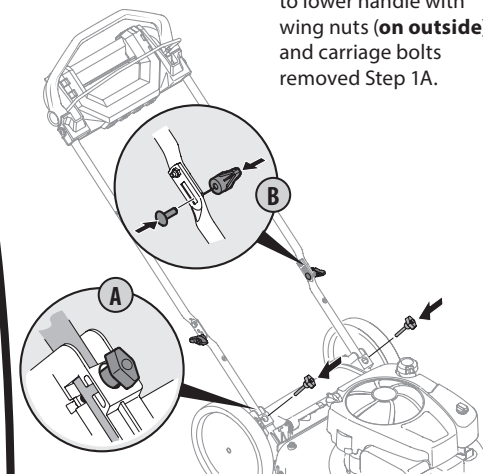


Note: Refer to your Operator's Manual for instructions on attaching the grass collector.

4

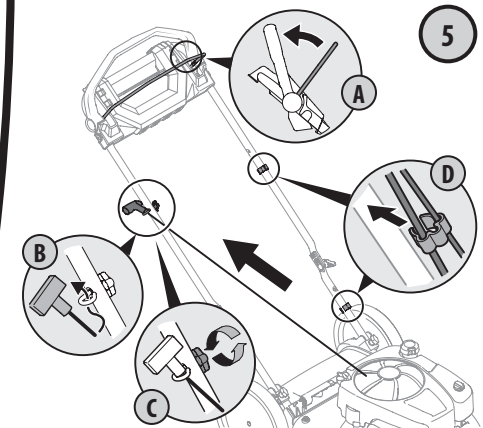
A. Insert the T-bolts removed in Step 1B through the handle brackets to secure the handle in place.

B. Secure upper handle to lower handle with wing nuts (**on outside**) and carriage bolts removed Step 1A.



5

- A. Hold the blade control handle against the premium drive control.
- B. Slowly pull starter rope handle from engine and slip starter rope into the rope guide.
- C. Tighten rope guide wing knob.
- D. Use clips to secure cables to lower handle.



IMPORTANT: READ OPERATOR'S MANUAL AND ENGINE MANUAL THOROUGHLY AND FOLLOW THE IMPORTANT SAFE OPERATION PRACTICES BEFORE OPERATING .



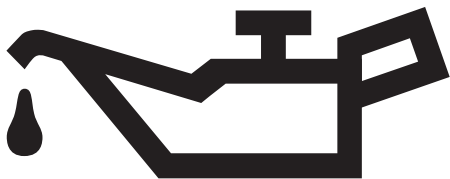
Need Help? Call 1-888-TO-HELP-U



READ AND UNDERSTAND ALL INSTRUCTION, WARNING, AND DANGER LABELS.
PARA INSTRUCCIONES EN ESPAÑOL, REFIÉRASE AL MANUAL DEL OPERADOR.

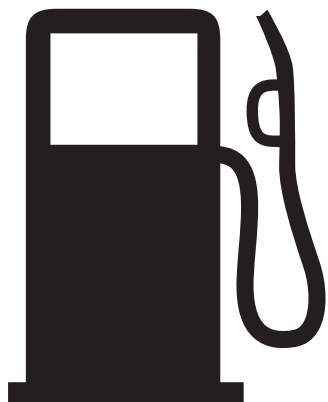


6



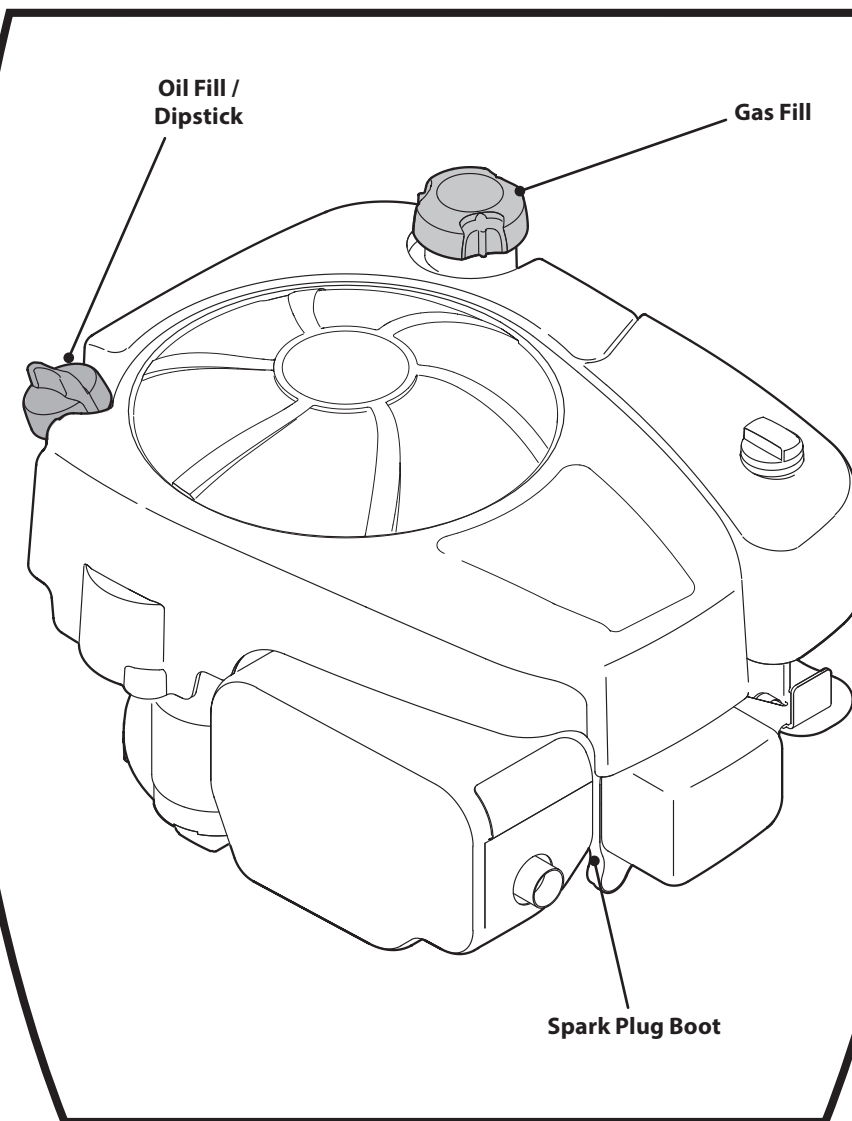
Pour the entire contents of the oil bottle (supplied) into the oil fill. Check the oil level using the dipstick. (Refer to the Operator's Manual)

7

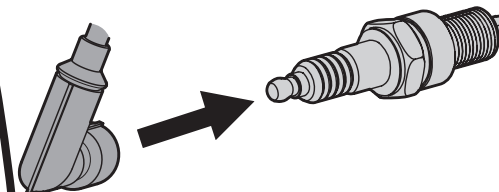


Fill fuel tank with clean, fresh gasoline. Do not fill above the base of fuel tank neck.

FAST START GUIDE

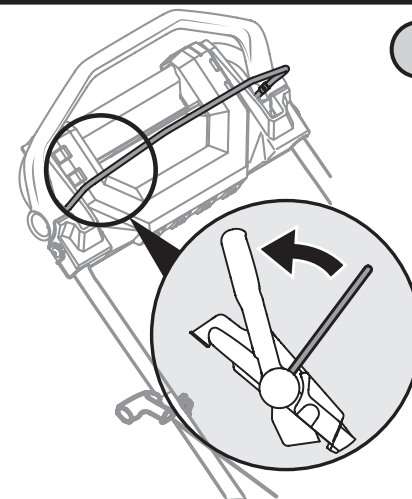


8



Make sure the spark plug boot is connected to the spark plug before attempting to start.

9



While standing behind the machine, pivot the Blade Control Handle against the premium drive control.

Grasp the starter rope handle and pull with quick, full-arm stroke. If the engine does not start after three pulls, wait a few minutes and repeat.



IMPORTANT: READ OPERATOR'S MANUAL AND ENGINE MANUAL THOROUGHLY AND FOLLOW THE IMPORTANT SAFE OPERATION PRACTICES BEFORE OPERATING .



Need Help? Call 1-888-TO-HELP-U