



**READ AND UNDERSTAND ALL INSTRUCTION, WARNING, AND DANGER LABELS.**  
**PARA INSTRUCCIONES EN ESPAÑOL, REFIÉRASE AL MANUAL DEL OPERADOR.**



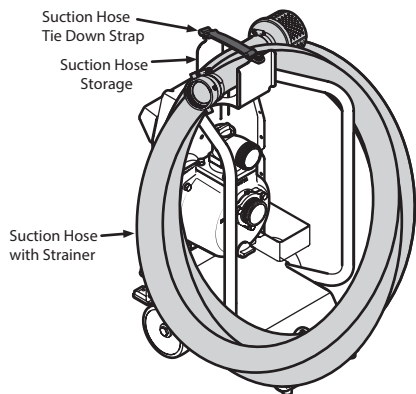
### 1 Unpacking Water Pump



**WARNING!** This attachment weighs 61 lb. and requires two people to lift it.

1. Open carton completely by cutting each corner from top to bottom.
2. Remove the FLEX™ Water Pump Attachment, its accessories and literature, and any cardboard inserts included with the water pump.
3. Ensure you have all included items prior to assembly.

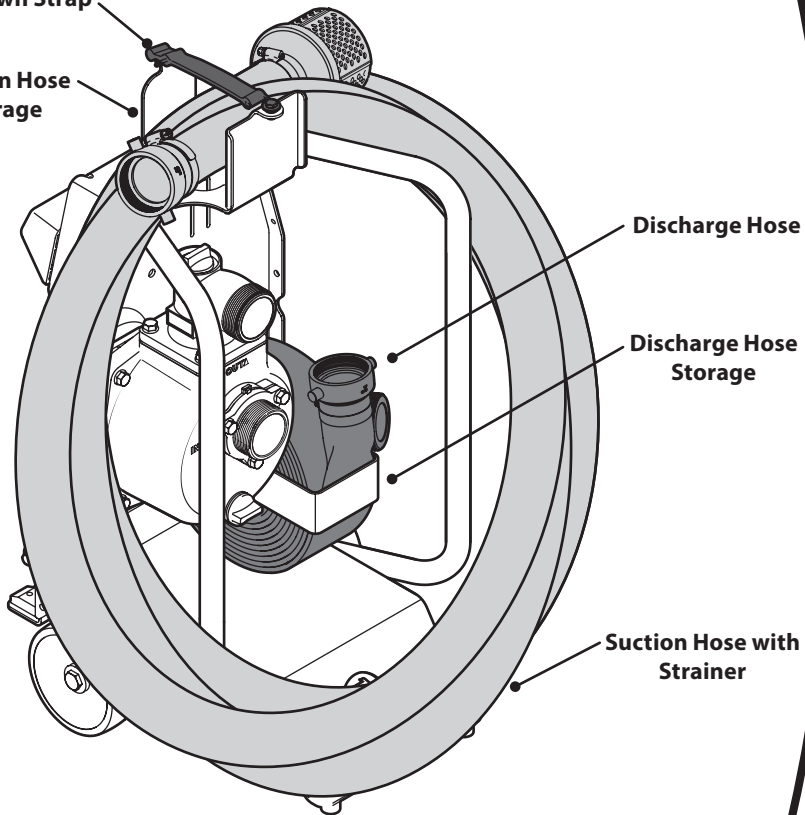
- ### 2
- Wrap the suction hose with strainer around the suction hose storage and secure it using the suction hose tie down strap.



# FAST START GUIDE

Suction Hose Tie Down Strap

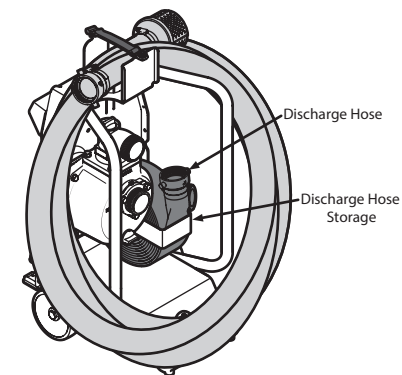
Suction Hose Storage



**CAUTION!** When the FLEX™ Water Pump attachment is attached to the FLEX™ Power Base, the engine should be started after the water pump has been primed. We do not recommend running the pump dry.

Roll the discharge hose flat and store it using the discharge hose storage.

3



**IMPORTANT: READ OPERATOR'S MANUAL AND ENGINE MANUAL THOROUGHLY AND FOLLOW THE IMPORTANT SAFE OPERATION PRACTICES BEFORE OPERATING .**



**Need Help? Call 1-888-TO-HELP-U**