

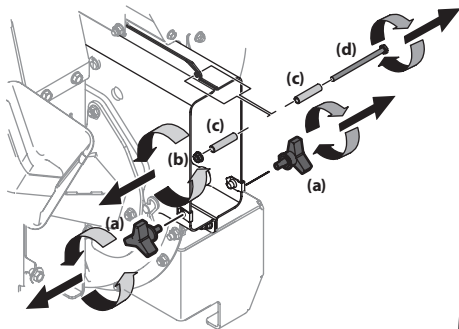


READ AND UNDERSTAND ALL INSTRUCTION, WARNING, AND DANGER LABELS.
PARA INSTRUCCIONES EN ESPAÑOL, REFIÉRASE AL MANUAL DEL OPERADOR.



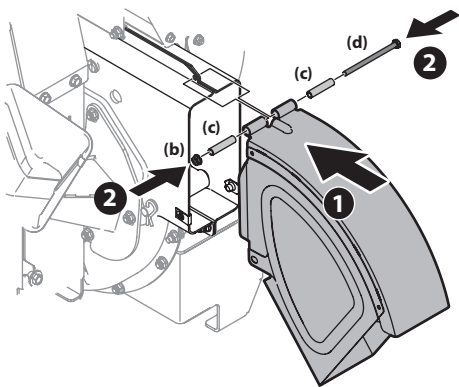
1

Remove the wing knobs (a) from each side of the lower impeller housing. Remove the hex lock nut (b), spacers (c), and hex bolt (d) from the top of the impeller housing.

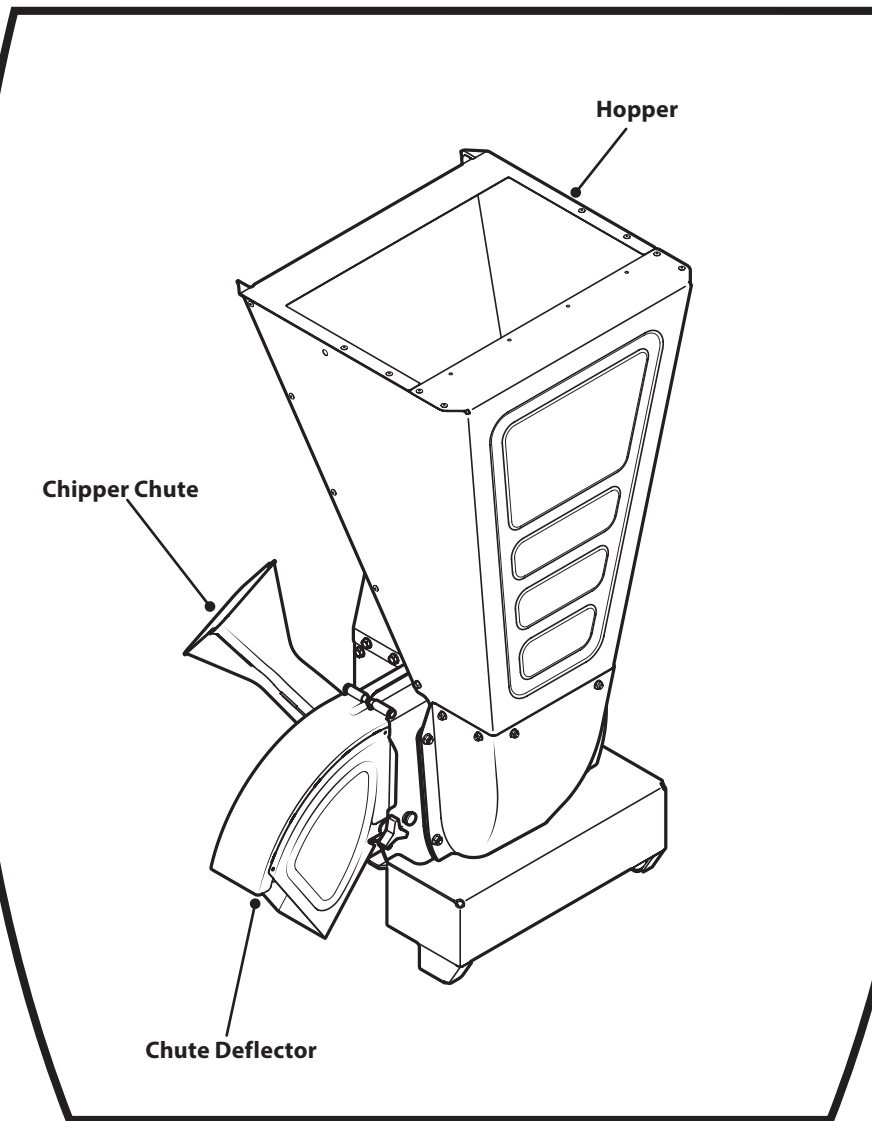


2

Align the chute deflector in position on the discharge opening and insert hex bolt (d) with spacer (c) through hinge on chute deflector (spacers fit inside of hinges). Place second spacer (c) over hex bolt (d) inside other hinge and secure with hex lock nut (b).

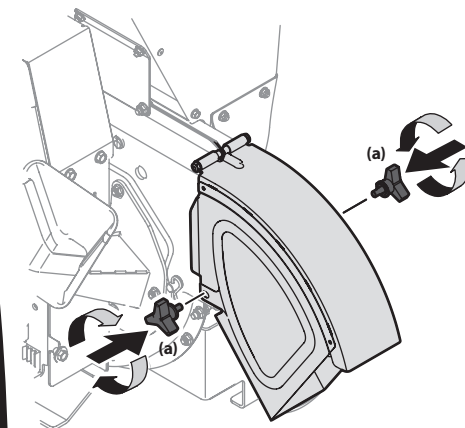


FAST START GUIDE



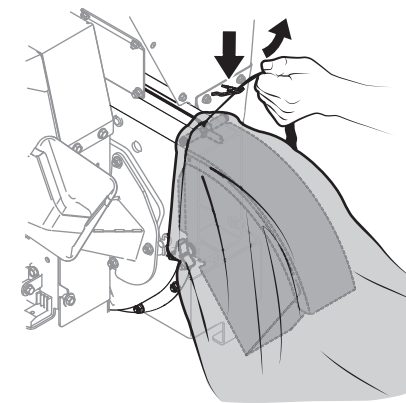
3

Secure both sides of chute deflector to impeller housing using wing knobs (a) removed in Step 1.



4

Place the opening of the bag completely over the chute deflector. Position the bag so that the wing knobs which secure the chute deflector to the impeller housing are completely covered. Pull on the draw-strap until the bag is tight around chute deflector opening.



IMPORTANT: READ OPERATOR'S MANUAL AND ENGINE MANUAL THOROUGHLY AND FOLLOW THE IMPORTANT SAFE OPERATION PRACTICES BEFORE OPERATING .



Need Help? Call 1-888-TO-HELP-U