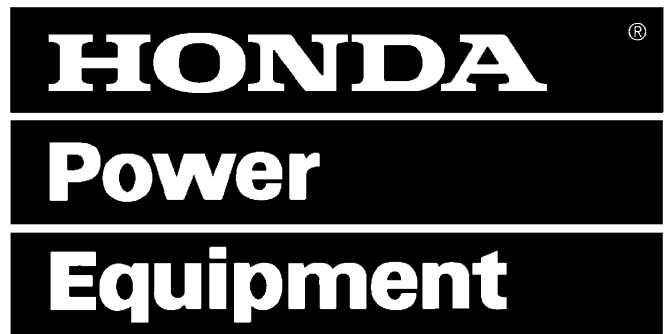


General Purpose Engine

GC160A
(TYPE MHA2)



Parts Catalog

MAY, 2006

American Honda Motor Co., Inc.

TABLE OF CONTENTS

Introduction

Grid / Page

- HOW TO USE THIS CATALOG A2 4
- SERIAL NUMBERS A3 6
- BULK HOSE PART NUMBER PATTERN..... A3 7
- MASTER INDEX A4 8

Part Groups

- ENGINE SECTION 1-C1 1-1

Index

- PART NUMBER INDEX B1 2-1
- DESCRIPTION INDEX 1-E1 3-1

HOW TO USE THIS CATALOG

CATALOG/CATALOGUE PAGE BREAKDOWN (Generic layout-sample data only)

MODEL		TYPE		Engine Serial Number		ORG	QTY	Part Number	H/C
Ref	Description	Mod	Type	From	To				
1	COVER SET, CYLINDER HEAD	4	b	15240057	-----	JPN	1	12310-PE2-020	2031797
	COVER SET, CYLINDER HEAD			-----	12234811	USA	1	12310-PE2-030	2210888

KEY TO CATALOG/CATALOGUE PAGE BREAKDOWN

1. **Ref** - Reference numbers correspond to the reference numbers on the illustrations. All illustrations are representative only, and do not necessarily look exactly like the actual part. "NI" signifies the part is not illustrated. Reference numbers may be skipped when they apply to other models.

2. **Description*** - Describes the part for the related part number.

Abbreviations:

ASSY. - Assembly	A.C. - Alternating Current
L(100L) - Link(100Links)	D.C. - Direct Current
R. - Right	KPH - Kilometers Per Hour
L. - Left	MPH - Miles Per Hour
IN. - Inlet	A.M. - Attaching Mark
EX. - Exhaust	T.M. - Transcript Mark
FR. - Front	A - Ampere
RR. - Rear	WL - With Labeling
HEX. - Hexagonal	WOL - Without Labeling
STD. - Standard	T (22T) - Tooth
MM - Millimeter	C.D.I. - Capacitive Discharge Ignition
G - Gram	G.F.C.I. - Ground Fault Circuit Interruptor
V - Volt	
W - Watt	

3. **Mod*** - Model alpha labeling is unique per catalog/catalogue (not consistent with other catalogs/catalogues).

4. Each model and type in the catalog/catalogue is represented by an alpha label.

5. **Serial Number** - Applies to Engine or Frame serial numbers depending on the section. The serial numbers of a unit (frame, engine, carburetor) should be checked prior to ordering parts for the unit. In cases where a part has been modified, the beginning and/or ending serial number of the unit bearing the modification is listed in the "SERIAL NUMBER" column. Modification parts can be controlled by three types of numbers as described below.

Engine serial number - Engine group parts (Block numbers beginning with "E").

Carburetor identification number - Carburetor component parts.

Frame serial number - Frame group parts (Block numbers beginning with "F").

Note 1 - A modification that does not follow the pattern above will be clarified by a comment located below the part description. A serial number chart and a guide to serial number locations are provided in the front portion of the catalog/catalogue.

Note 2 - Although most models will be identified by Engine and Frame serial numbers, some models may be identified by one serial number only - either Engine serial number or Frame serial number.

6. **Type*** - Model Type is defined in the serial number chart.

7. **ORG*** - Manufacturing country of origin of the unit.

8. **QTY** - Quantity required for the specified Block/Section.

A. "AR" in place of the quantity indicates AS REQUIRED.

B. "(" Parentheses in the quantity indicate "optional".

9. **Part Number** - Part number corresponds to the reference number and application. Several part numbers may be listed under one (1) reference number.

Note: For U.S. only - For your convenience the current supersede chain, as of print date, has been listed. Supersede chains are subject to change without notice.

10. **H/C** - The Honda Code and Part Number share a 1 to 1 relationship (U.S.A. only).

11. The Block Number identifies the catalog/catalogue section.

CONSTRUCTION OF PART NUMBERS

All parts are classified into two groups, "GENERAL PARTS" and "STANDARD PARTS". All parts are numbered according to the system described below:

General Parts

Example: Driver Seat Assembly Part No. 77400-634-671ZA
 Function No. 77
 Component No. 400
 Model Code No. -634-
 Modification Process Design 671
 Color/colour Indicator** ZA

Standard Parts

Example: 8 x 18 Hex. bolt Part No. 92000-08018-0A
 Function No. 92000
 Dimensions -08018-
 ISO Standard Designation 0
 Chemical Surface Treatment A

**The color/colour indicator at the end of a part number signifies a color/colour. These color/colour indicators such as ZA, ZB, ZC . . . , except ZZ, do not identify the actual color/colour. Actual colors/colours are identified by a code that appears between asterisks in the part description.

Additional Information - The section index located at the bottom of each microfiche grid lists section titles. The Engine and Frame sections have separate section indexes.

Some Block Titles are numbered, such as Air Cleaner (1), Air Cleaner (3), Muffler (2) or Muffler (4), etc. These may skip numbers when some blocks apply in other volumes of the same model(s).

*When columns become full, additional data is displayed on a second line.

This page intentionally left blank.

SERIAL NUMBERS

Models and applicable serial numbers

Models and applicable serial numbers given in this parts catalog can be identified as follows.

Model	Type	Applicable Engine Serial No.	Applicable Frame Serial No.	Applicable Carburetor Identification
GC160A	MHA2	GCAHA-1000001~	—	BB61B C

BULK HOSE PART NUMBER PATTERN

Construction of Fuel and Vacuum Hose Part Number

Example: 9 5 0 0 1 - 7 5 0 0 1 - 4 0 M

Roll Hose

All roll hose part numbers have an "M" in this position

Appearance Code

Fuel Hose:

- 2 = Red, braided exterior
- 3 = Red
- 4 = Ash Gray with red stripe
- 5 = Black, braided interior
- 6 = Black

Vinyl Hose:

- 1 = Ash Gray
- 2 = Black
- 3 = Light Red
- 6 = Light Red
- 7 = Pale Black

Vacuum Hose:

- 1 = Ash Gray
- 2 = Ash Gray
- 3 = Black
- 5 = Black

Length

Cut Hose length is in *Millimeters (mm)*

Bulk Hose length is in *Meters (M)*

Inside Diameter

Fuel and Vacuum Hose

- | | |
|-----------------------|------------------------------|
| 35 = 3.5 mm | 11 = 11 mm |
| 45 = 4.5 mm | 91 = 12 (outside dia. 15) mm |
| 50 = 5.0 mm | 92 = 12 (outside dia. 16) mm |
| 55 = 5.3 mm or 5.5 mm | 12 = 12 (outside dia. 17) mm |
| 65 = 6.5 mm | 14 = 14 mm |
| 70 = 7.0 mm | 17 = 17 mm |
| 75 = 7.3 mm or 7.5 mm | |
| 80 = 8.0 mm | |

ID./OD. Code : Vinyl Hose

- | | | |
|--------------------------|----------------------------|----------------------------|
| 01 = ID. 2.9, OD. 6.8 mm | 14 = ID. 6.0, OD. 9.0 mm | 37 = ID. 11.0, OD. 15.0 mm |
| 03 = ID. 3.0, OD. 6.0 mm | 17 = ID. 7.0, OD. 9.0 mm | 38 = ID. 12.0, OD. 13.0 mm |
| 05 = ID. 3.5, OD. 6.5 mm | 19 = ID. 7.0, OD. 11.0 mm | 39 = ID. 12.0, OD. 14.0 mm |
| 07 = ID. 4.0, OD. 7.0 mm | 21 = ID. 8.0, OD. 9.0 mm | 40 = ID. 12.0, OD. 16.0 mm |
| 08 = ID. 4.5, OD. 6.5 mm | 23 = ID. 8.0, OD. 12.0 mm | 43 = ID. 13.0, OD. 15.0 mm |
| 09 = ID. 4.5, OD. 8.0 mm | 25 = ID. 9.0, OD. 11.0 mm | 45 = ID. 14.0, OD. 18.0 mm |
| 12 = ID. 5.0, OD. 7.0 mm | 27 = ID. 9.0, OD. 13.0 mm | 50 = ID. 16.0, OD. 19.0 mm |
| 10 = ID. 5.0, OD. 8.0 mm | 33 = ID. 10.0, OD. 14.0 mm | 55 = ID. 17.5, OD. 20.5 mm |
| 11 = ID. 5.0, OD. 9.0 mm | 36 = ID. 11.0, OD. 13.0 mm | 60 = ID. 22.0, OD. 27.0 mm |

Hose Type:

- 1 = Fuel Hose
- 3 = Vinyl Hose
- 5 = Vacuum Hose

CAUTION: Never use vacuum / or vinyl hose in place of fuel hose or vice versa

MASTER INDEX

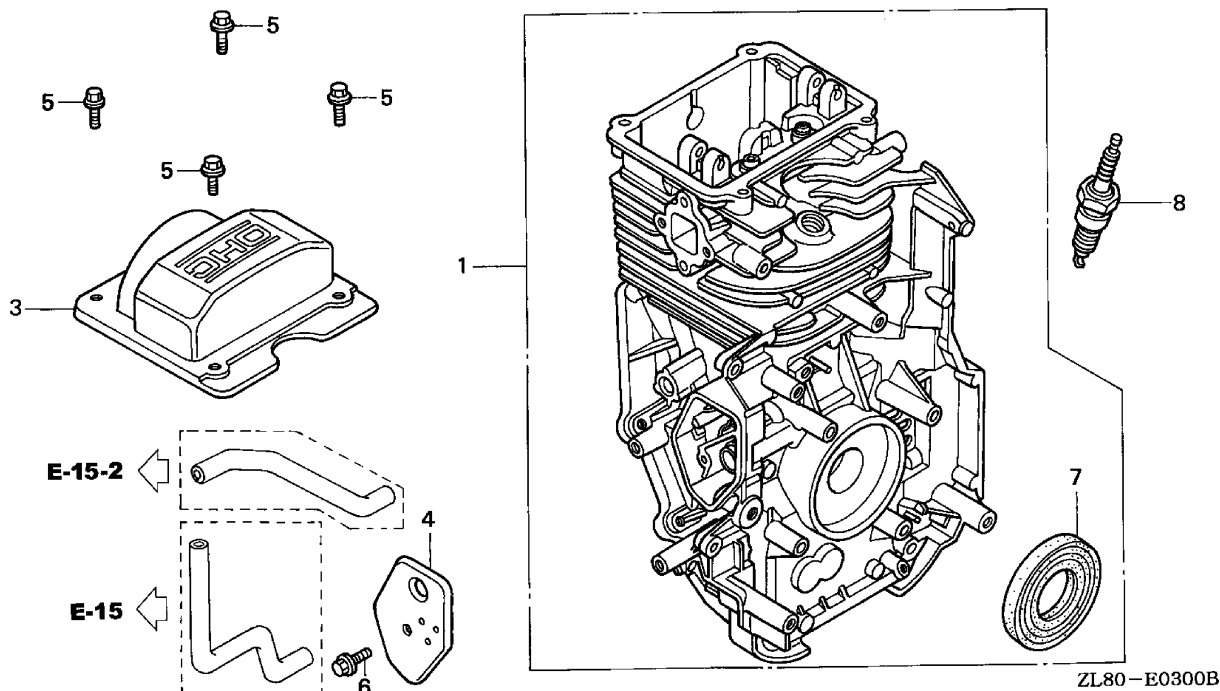
Title	Grid	Page	Title	Grid	Page
ENGINE SECTION					
CYLINDER	1-C1	1-2			
CRANKCASE COVER	1-C1	1-3			
CRANKSHAFT	1-C2	1-4			
PISTON • CONNECTING ROD.....	1-C2	1-5			
CAMSHAFT.....	1-C3	1-6			
RECOIL STARTER.....	1-C3	1-7			
FAN COVER.....	1-C4	1-8			
CARBURETOR.....	1-C4	1-9			
AIR CLEANER (1).....	1-C5	1-11			
MUFFLER.....	1-C6	1-12			
FUEL TANK • FUEL PUMP.....	1-C6	1-13			
FLYWHEEL • IGNITION COIL.....	1-C7	1-15			
CONTROL (1).....	1-C8	1-16			
LABEL.....	1-D1	1-18			

ENGINE SECTION

Chapter Table of Contents

Page Title	Grid	Page
CYLINDER	1-C1	1-2
CRANKCASE COVER	1-C1	1-3
CRANKSHAFT	1-C2	1-4
PISTON • CONNECTING ROD	1-C2	1-5
CAMSHAFT	1-C3	1-6
RECOIL STARTER	1-C3	1-7
FAN COVER	1-C4	1-8
CARBURETOR	1-C4	1-9
AIR CLEANER (1)	1-C5	1-11
MUFFLER	1-C6	1-12
FUEL TANK • FUEL PUMP	1-C6	1-13
FLYWHEEL • IGNITION COIL	1-C7	1-15
CONTROL (1)	1-C8	1-16
LABEL	1-D1	1-18

CYLINDER



ZL80E0300B

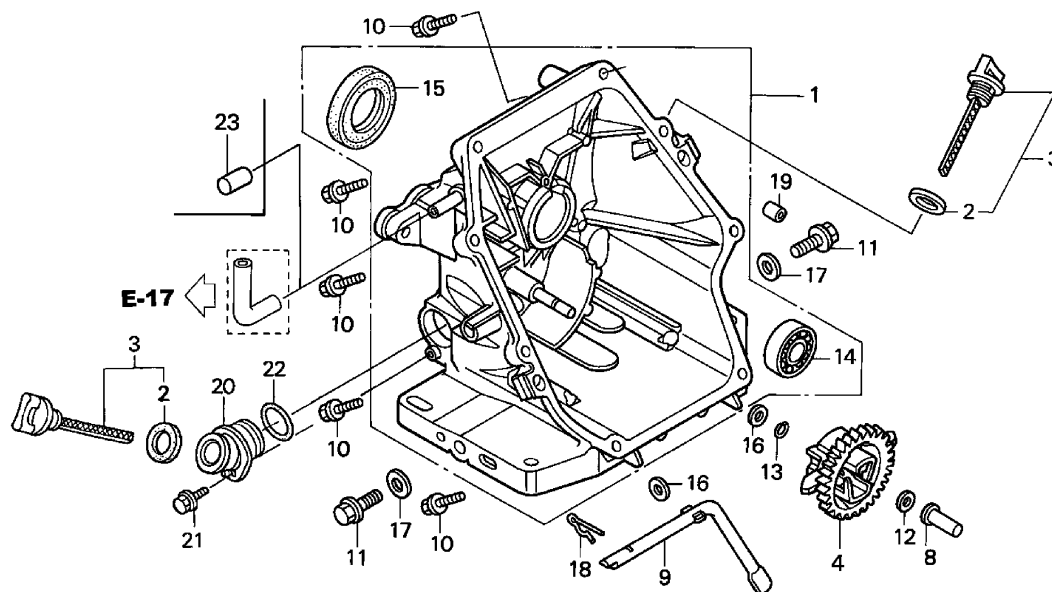
MODEL
A =GC160A

TYPE
a =MHA2

E-3

Ref	Description	Engine Serial Number		QTY	Part Number	H/C
		From	To			
1	CYLINDER ASSY. (010).....	-----	-----	1	12000-ZL8-415	6842413
3	COVER, HEAD.....	-----	-----	1	12311-ZL8-D00	6325211
4	COVER, BREATHER (BREATHER VALVE ASSY.).....	-----	-----	1	12355-ZL8-000	5580006
5	BOLT, FLANGE (6X12) (CT200).....	-----	-----	4	90013-883-000	0636845
6	BOLT, FLANGE (6X14).....	-----	-----	1	90014-952-000	0803619
7	OIL SEAL (25.4X62X6).....	-----	-----	1	91201-ZL8-003	5581038
8	SPARK PLUG (BPR6ES) (NGK).....	-----	-----	1	98079-56846	1441112

CRANKCASE COVER



ZL80-E0600A

ZL80E0600A

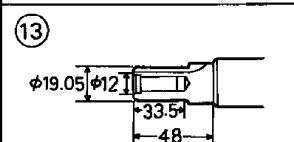
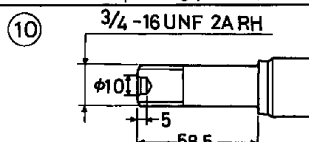
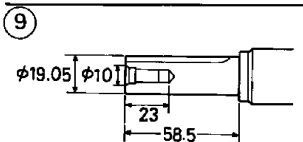
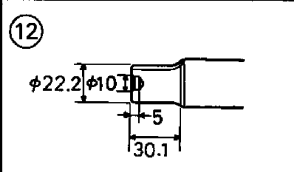
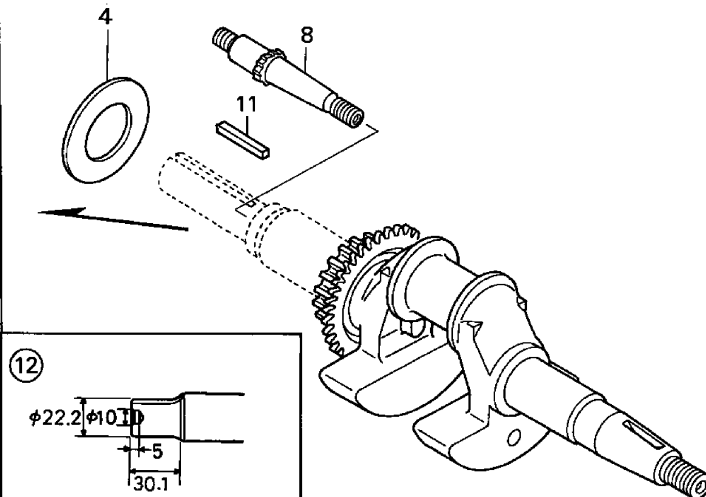
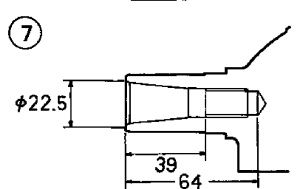
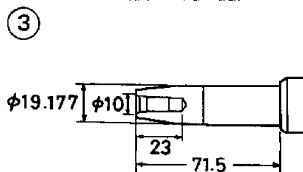
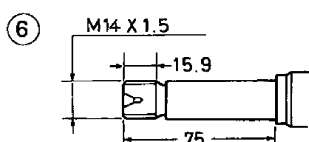
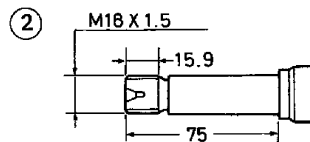
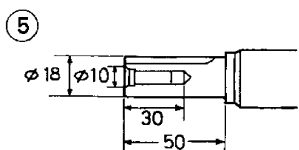
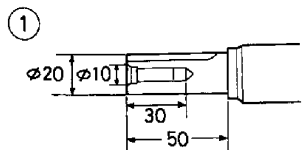
MODEL
A =GC160A

TYPE
a =MHA2

E-6

Ref	Description	Engine Serial Number		QTY	Part Number	H/C
		From	To			
1	COVER ASSY., CRANKCASE	-----	-----	1	11300-ZL8-601	6262422
2	GASKET, OIL FILLER CAP	-----	-----	1	15625-ZE1-003	4497947
3	GAUGE ASSY., OIL LEVEL	-----	-----	1	15650-ZL8-013	7310998
4	GOVERNOR ASSY.	-----	-----	1	16510-ZL8-000	5611108
8	SLIDER, GOVERNOR	-----	-----	1	16531-ZE1-000	1427251
9	SHAFT, GOVERNOR ARM	-----	-----	1	16541-ZL8-000	5611124
10	BOLT, FLANGE (6X25)	-----	-----	8	90121-952-000	0748111
11	BOLT, DRAIN PLUG	-----	-----	2	90131-896-650	1986231
12	WASHER, THRUST (6MM)	-----	-----	1	90451-ZE1-000	2413862
13	CLIP, GOVERNOR HOLDER.....	-----	-----	1	90602-ZE1-000	2456697
15	OIL SEAL (28X41.25X6).....	-----	-----	1	91202-ZL8-003	5581046
16	WASHER, PLAIN (6MM)	-----	-----	2	94101-06800	0345900
17	WASHER, DRAIN PLUG (12MM).....	-----	-----	2	94109-12000	0171868
18	PIN, LOCK (8MM).....	-----	-----	1	94251-08000	0115527
19	PIN, DOWEL (8X20).....	-----	-----	2	94301-08200	1417369

CRANKSHAFT



ZL80-E0700A



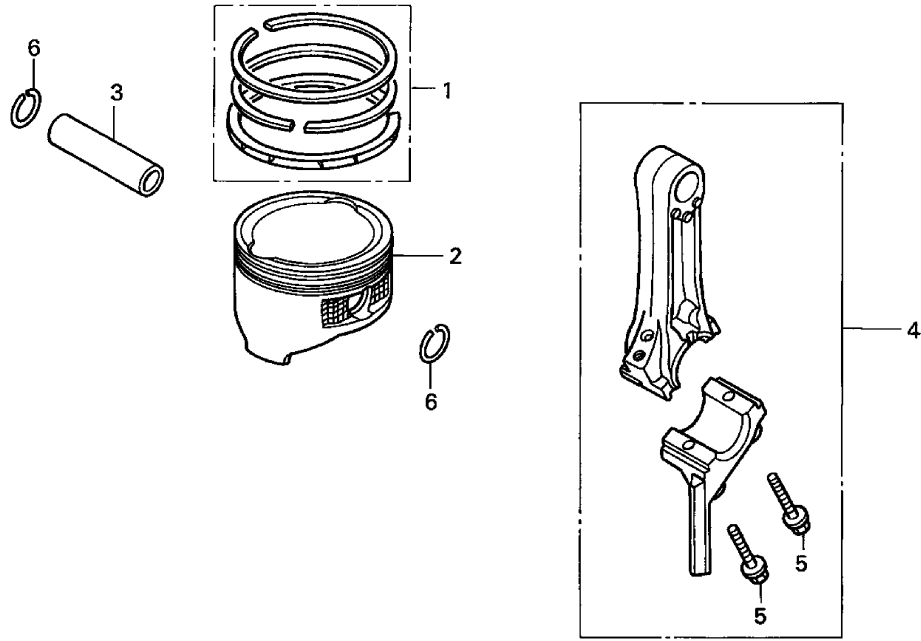
ZL80E0700A

MODEL **TYPE**
A =GC160A a =MHA2

E-7

Ref	Description	Engine Serial Number		QTY	Part Number	H/C
		From	To			
4	WASHER, THRUST	-----	-----	1	90402-ZL8-000	5581012
13	CRANKSHAFT	-----	-----	1	13310-Z0J-660	7058936

PISTON • CONNECTING ROD



ZL80-- E0800

ZL80E0800

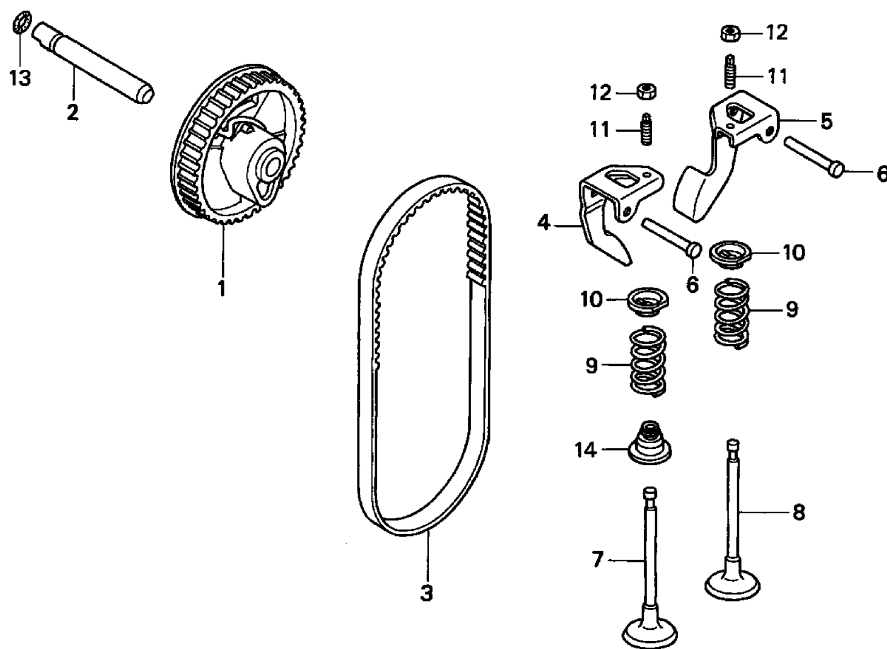
MODEL
A =GC160A

TYPE
a =MHA2

E-8

Ref	Description	Engine Serial Number		QTY	Part Number	H/C
		From	To			
1	RING SET, PISTON (RIKEN)	-----	-----	1	13010-ZL8-003	5655949
	RING SET, PISTON (TEIKOKU)	-----	-----	1	13010-ZL8-024	7154727
2	PISTON	-----	-----	1	13101-ZL8-000	5580014
3	PIN, PISTON	-----	-----	1	13111-ZE0-000	1426576
4	ROD ASSY., CONNECTING	-----	-----	1	13200-ZL8-000	5580022
5	BOLT, CONNECTING ROD	-----	-----	2	90001-ZE1-000	1431055
6	CLIP, PISTON PIN (13MM)	-----	-----	2	90551-ZE0-000	2605517

CAMSHAFT



ZL80-E0900A

ZL80E0900A

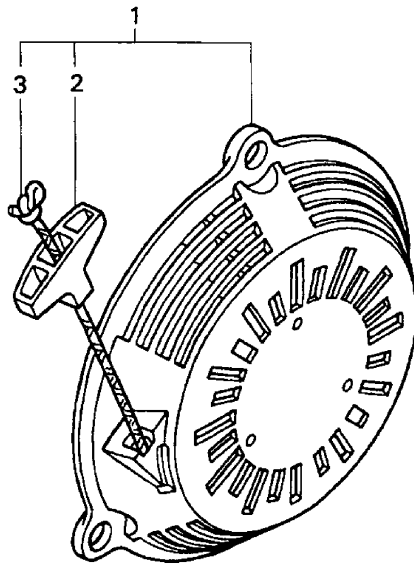
MODEL
A =GC160A

TYPE
a =MHA2

E-9

Ref	Description	Engine Serial Number		QTY	Part Number	H/C
		From	To			
1	PULLEY, CAMSHAFT	-----	-----	1	14320-ZL8-010	7049679
2	SHAFT, CAM PULLEY	-----	-----	1	14324-ZL8-000	5580063
3	BELT, TIMING (84HU7 G-200).....	-----	-----	1	14400-Z0J-014	7058985
4	ARM, IN. VALVE ROCKER	-----	-----	1	14431-Z0J-000	7526122
5	ARM, EX. VALVE ROCKER.....	-----	-----	1	14441-ZL8-000	5580097
	ARM, EX. VALVE ROCKER.....	-----	-----	1	14441-Z0J-000	7526130
6	SHAFT, ROCKER ARM	-----	-----	2	14461-ZL8-000	5580105
7	VALVE, IN.	-----	-----	1	14711-Z0J-000	7647118
8	VALVE, EX.	-----	-----	1	14721-ZL8-000	5580121
9	SPRING, VALVE	-----	-----	2	14751-ZL8-000	5580139
10	RETAINER, IN. VALVE SPRING	-----	-----	2	14771-ZE1-000	1426980
11	SCREW, TAPPET ADJ.	-----	-----	2	90012-333-000	0294819
12	NUT, TAPPET ADJ.	-----	-----	2	90206-001-000	0004598
13	O-RING (6.8X1.9).....	-----	-----	1	91301-ZM0-V31	6315873
14	SEAL, VALVE STEM	-----	-----	1	12209-ZM0-003	6839831

RECOIL STARTER



ZL80- E1100



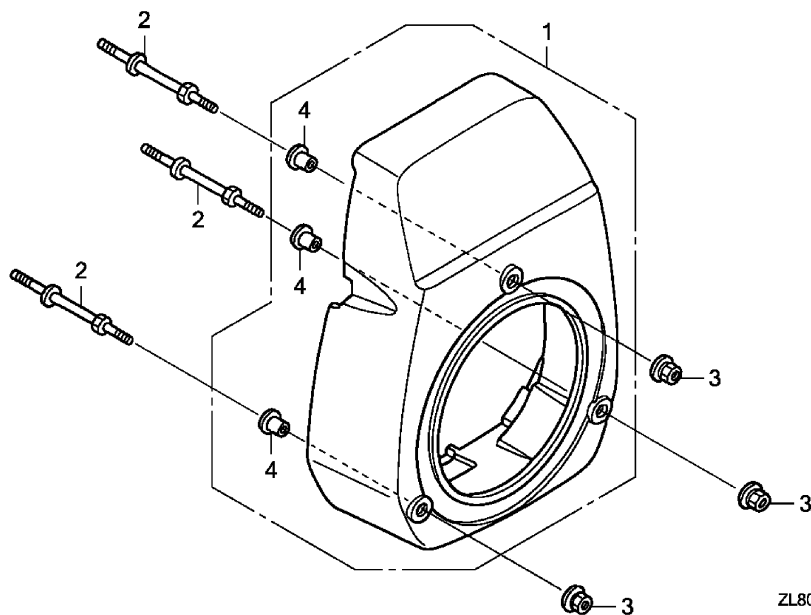
ZL80E1100

MODEL **TYPE**
 A =GC160A a =MHA2

E-11

Ref	Description	Engine Serial Number		QTY	Part Number	H/C
		From	To			
1	STARTER ASSY., RECOIL *NH1* (BLACK)	-----	-----	1	28400-ZL8-023ZA	7837578
2	KNOB, RECOIL STARTER	-----	-----	1	28461-ZL8-003	5580634
3	ROPE, RECOIL STARTER (#3.5X52")	-----	-----	1	28462-ZL8-003	5611454

FAN COVER



ZL80E1200A



ZL80E1200A

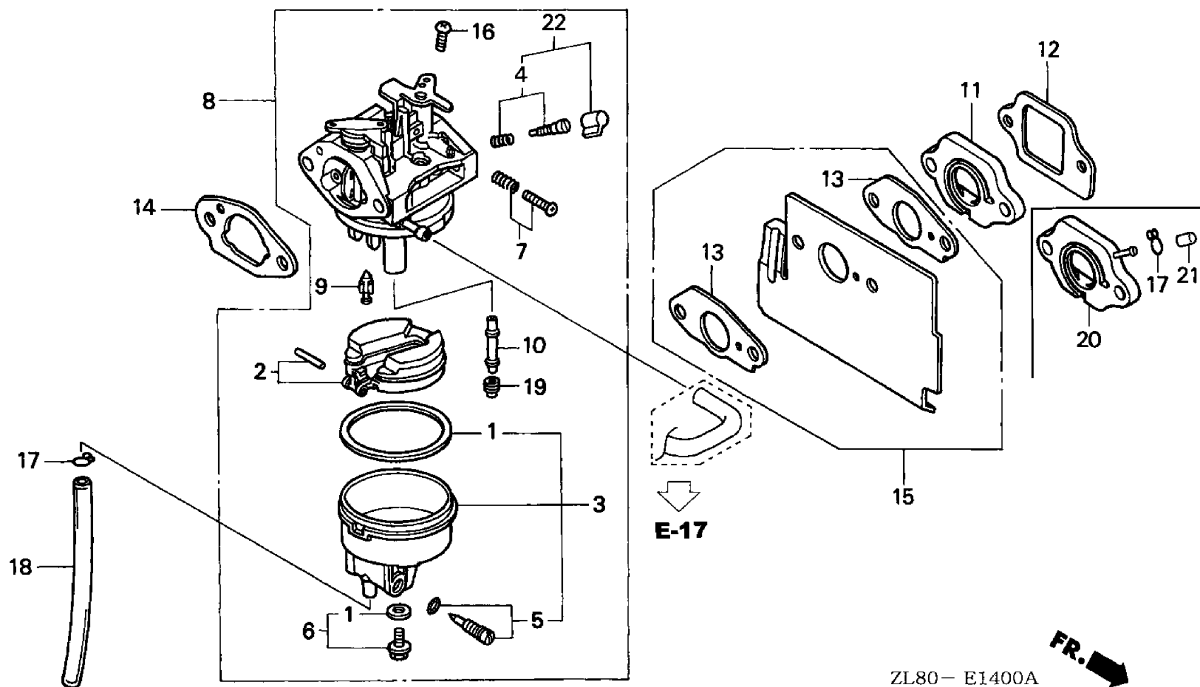
MODEL
A =GC160A

TYPE
a =MHA2

E-12

Ref	Description	Engine Serial Number		QTY	Part Number	H/C
		From	To			
1	COVER, FAN *NH1* (BLACK)	-----	-----	1	19611-ZL8-000ZA	5611413
2	BOLT, STUD.....	-----	-----	3	90043-ZL8-000	5581004
3	NUT, FLANGE (6MM).....	-----	-----	3	90201-ZM0-000	6478812
4	COLLAR, FAN COVER (N/A: SEE ASSEMBLY)	-----	-----	3	19619-ZL8-300	5580527

CARBURETOR



ZL80 - E1400A

ZL80E1400A

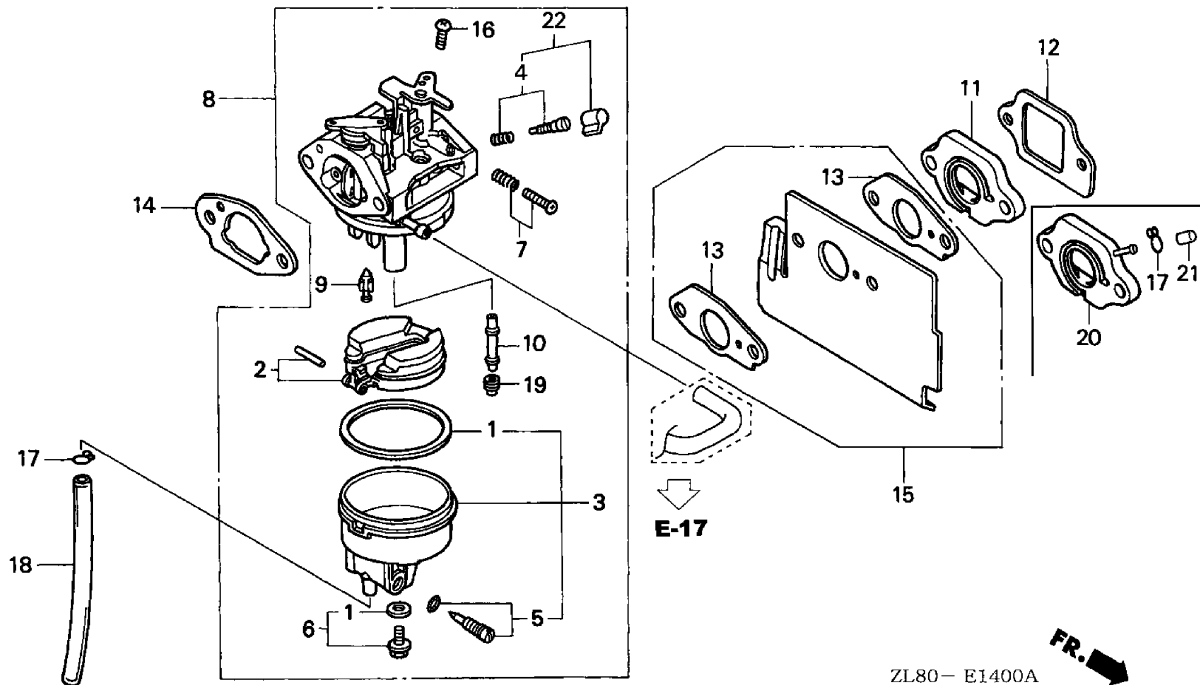
MODEL
A =GC160A

TYPE
a =MHA2

E-14

Ref	Description	Engine Serial Number		QTY	Part Number	H/C
		From	To			
1	GASKET SET			1	16010-883-015	3088416
2	FLOAT SET			1	16013-ZL1-003	5580162
3	CHAMBER SET, FLOAT			1	16015-ZL8-003	5611033
5	SCREW SET, DRAIN			1	16024-124-760	0640052
6	SCREW SET B			1	16028-ZE0-005	1441518
7	SCREW SET			1	16029-ZG0-901	5580170
8	CARBURETOR ASSY. (BB61B C)		2893263	1	16100-ZL8-802	5875687
	CARBURETOR ASSY. (BB61B D)			1	16100-ZL8-803	7964489
9	VALVE, FLOAT (CARBURETOR NO.)		BB61B C	1	16155-ZL8-003	5611058
	VALVE, FLOAT (CARBURETOR NO.)	BB61B D		1	16155-ZL8-013	7983315
10	NOZZLE, MAIN			1	16166-ZL8-003	5611066
11	INSULATOR, CARBURETOR			1	16211-ZL8-000	5580238
12	GASKET, INSULATOR			1	16212-ZL8-000	5580246
13	GASKET, CARBURETOR			2	16221-883-800	4581120
14	GASKET, CARBURETOR (CHOKE SIDE)			1	16228-ZL8-000	5580253
15	GUIDE, AIR			1	19650-ZL8-000	5611421

CARBURETOR



ZL80 - E1400A

ZL80E1400A

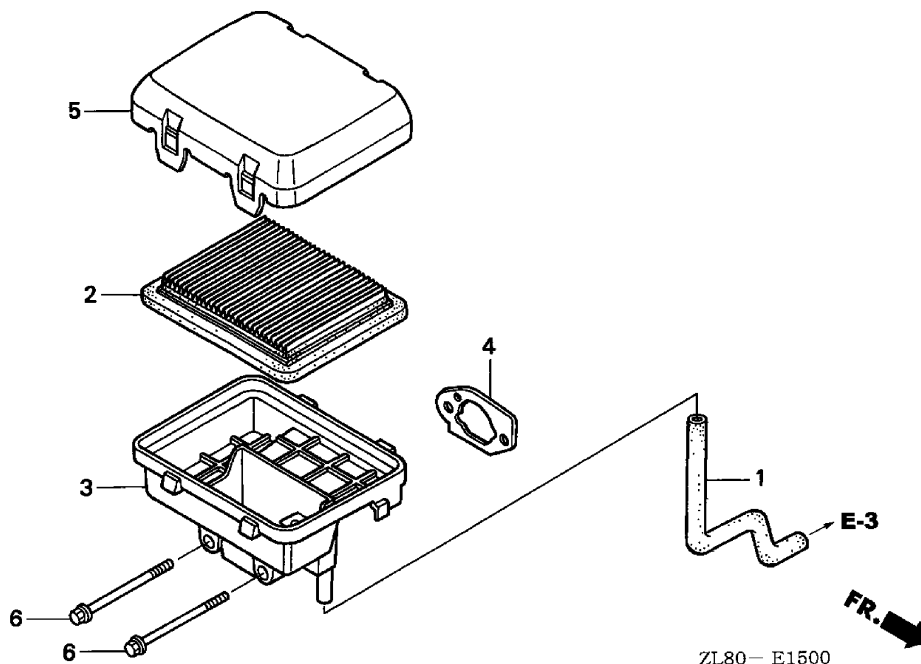
MODEL
A =GC160A

TYPE
a =MHA2

E-14

Ref	Description	Engine Serial Number		QTY	Part Number	H/C
		From	To			
16	SCREW, PAN (5X6)	-----	-----	1	93500-05006-0H	0639419
17	CLIP, TUBE (B6.5)	-----	-----	1	95002-02650	0315705
18	BULK HOSE, VINYL (4X7X8000) (4X7X150)	-----	-----	1	95003-07008-60M	4750725
19	JET, MAIN (#60)	-----	-----	(1)	99101-124-0600	0635474
	JET, MAIN (#62)	-----	-----	(1)	99101-124-0620	0635482
	JET, MAIN (#65)	-----	-----	1	99101-124-0650	0636126
22	SCREW SET (CARBURETOR NO.)	-----	-----	1	16016-ZG0-W00	4481818

AIR CLEANER (1)



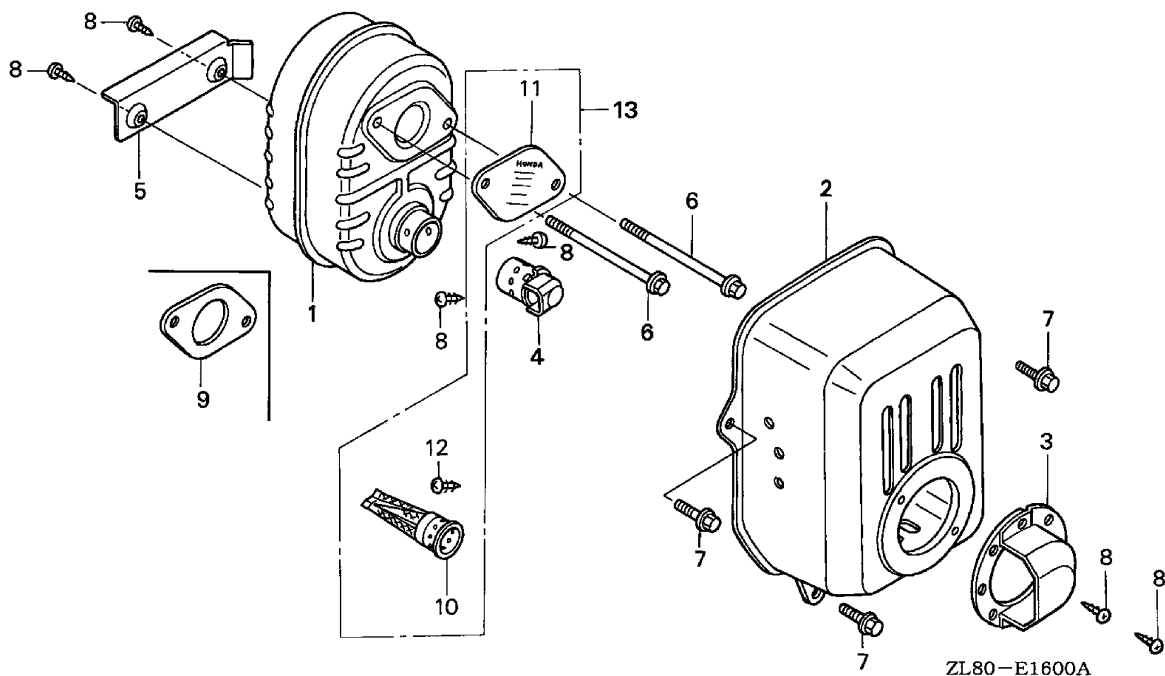
ZL80E1500

MODEL **TYPE**
 A =GC160A a =MHA2

E-15

Ref	Description	Engine Serial Number		QTY	Part Number	H/C
		From	To			
1	TUBE, BREATHER.....	-----	-----	1	15721-ZL8-000	5611025
2	ELEMENT, AIR CLEANER.....	-----	-----	1	17211-ZL8-003	6718159
3	HOUSING, AIR CLEANER.....	-----	-----	1	17220-ZL8-000	5611314
4	GASKET, AIR CLEANER.....	-----	-----	1	17228-ZL8-000	5580436
5	COVER, AIR CLEANER.....	-----	-----	1	17231-Z0J-020	7423122
6	BOLT, FLANGE (6X112) (CT200)	-----	-----	2	90003-ZL8-000	5611660

MUFFLER



ZL80-E1600A

ZL80E1600A

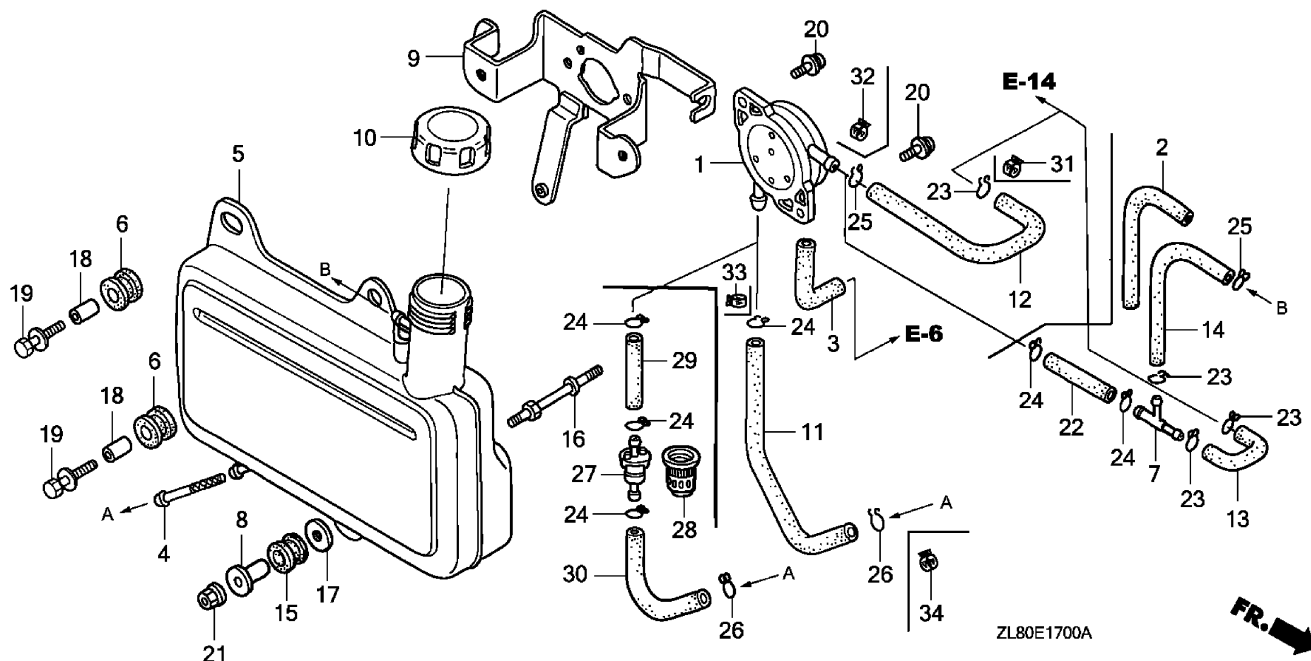
MODEL
A =GC160A

TYPE
a =MHA2

E-16

Ref	Description	Engine Serial Number		QTY	Part Number	H/C
		From	To			
1	MUFFLER.....	-----	-----	1	18310-ZL8-010	5611389
2	PROTECTOR, MUFFLER	-----	-----	1	18321-ZL8-000	5580501
5	SHROUD, MUFFLER.....	-----	-----	1	19664-ZL8-000	5611439
6	BOLT, FLANGE (6X79) (CT200)	-----	-----	2	90004-ZL8-000	5580972
7	BOLT, FLANGE (6X12) (CT200)	-----	-----	3	90013-883-000	0636845
8	SCREW, TAPPING (4X6).....	-----	-----	2	90055-ZE1-000	1431121
9	GASKET, MUFFLER	-----	-----	(1)	18381-ZL8-305	5737457
10	ARRESTER, SPARK	-----	-----	(1)	18350-ZL8-000	5656012
11	PLATE, ARRESTER NUMBER	-----	-----	(1)	18356-ZL8-000	5611397
12	SCREW, TAPPING (4X6).....	-----	-----	(1)	90055-ZE1-000	1431121
13	ARRESTER KIT, SPARK	-----	-----	(1)	06180-Z0J-000	8213597

FUEL TANK • FUEL PUMP



ZL80E1700A



ZL80E1700A

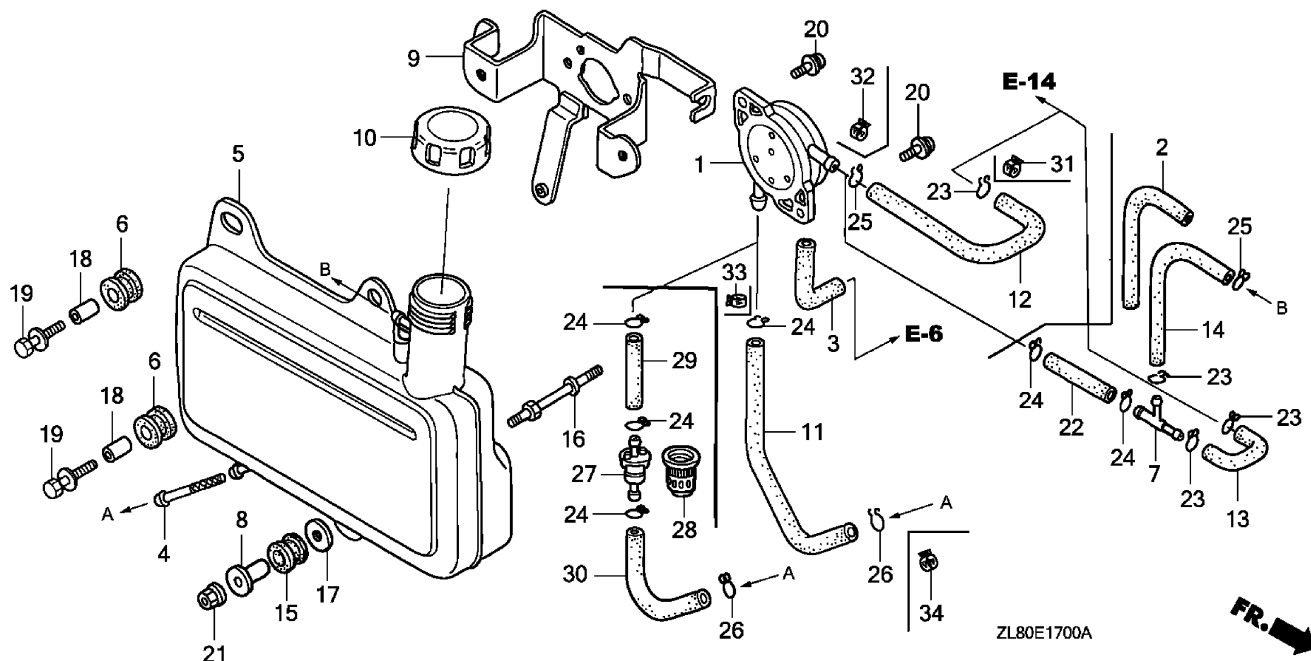
MODEL
A =GC160A

TYPE
a =MHA2

E-17

Ref	Description	Engine Serial Number		QTY	Part Number	H/C
		From	To			
1	PUMP ASSY., FUEL.....	-----	-----	1	16700-Z0J-003	8007833
2	RUBBER, SUPPORTER (107MM).....	-----	-----	1	16854-ZH8-000	3683646
3	TUBE, DIAPHRAGM	-----	-----	1	16882-ZL8-000	5611306
5	TANK, FUEL.....	-----	-----	1	17511-ZL8-800	5655972
6	RUBBER B, TANK MOUNTING.....	-----	-----	2	17516-ZV0-000	1814698
7	JOINT, FUEL TUBE	-----	-----	1	17519-ZL8-800	5655980
8	COLLAR, FUEL TANK SETTING.....	-----	-----	1	17535-KE7-000	1762962
9	STAY A, FUEL TANK.....	-----	-----	1	17561-ZL8-000	5611355
10	CAP ASSY., FUEL TANK.....	-----	-----	1	17620-ZL8-013	6673289
13	TUBE, FUEL.....	-----	-----	1	17702-ZL8-800	5655998
14	TUBE, FUEL RETURN.....	-----	-----	1	17703-ZL8-800	5656004
15	RUBBER, RR. FENDER.....	-----	-----	1	80103-MG2-000	1490408
16	BOLT, STUD (F/TANK)	-----	-----	1	90041-ZL8-000	5611686
17	WASHER (8MM).....	-----	-----	1	90473-896-000	1033497
18	COLLAR (14X6.1).....	-----	-----	2	90501-KA2-640	5611702
19	BOLT-WASHER (6X25)	-----	-----	2	93404-06025-00	3473428
20	SCREW-WASHER (5X14)	-----	-----	2	93894-05014-00	5611736
21	NUT, FLANGE (6MM).....	-----	-----	1	94050-06000	0471623

FUEL TANK • FUEL PUMP



ZL80E1700A

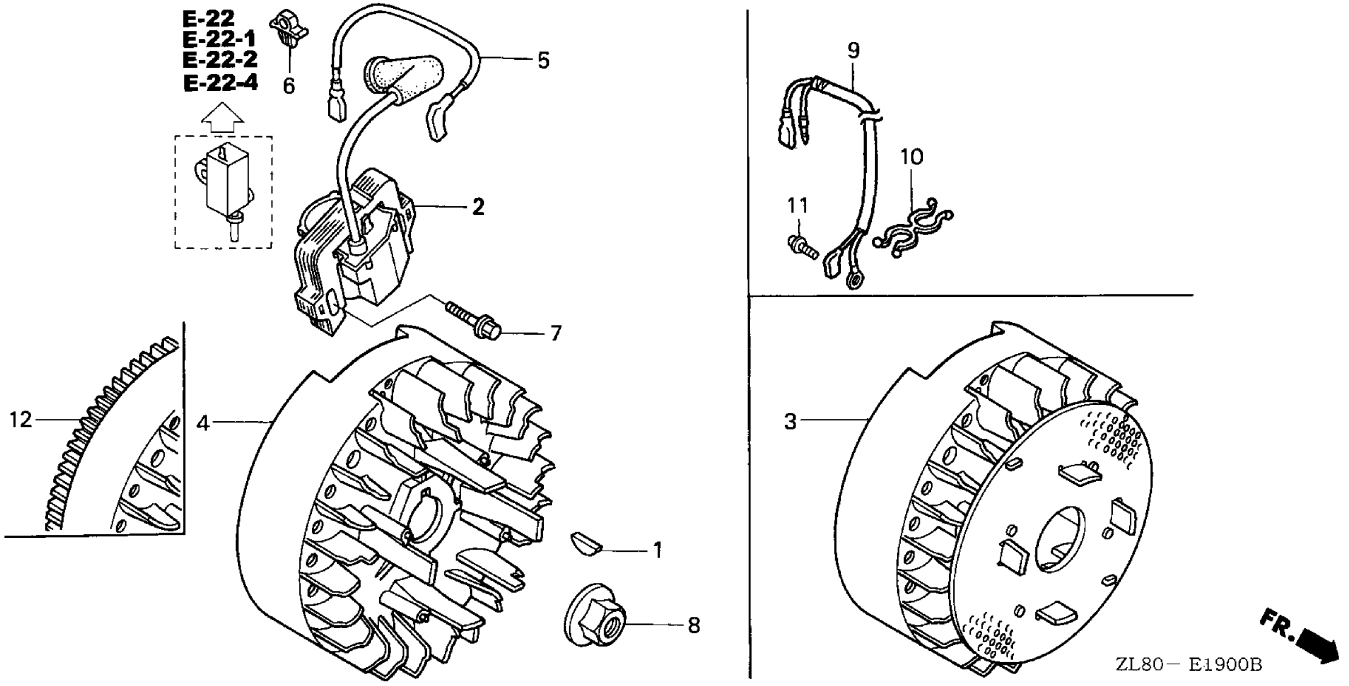
MODEL
A =GC160A

TYPE
a =MHA2

E-17

Ref	Description	Engine Serial Number		QTY	Part Number	H/C
		From	To			
22	BULK HOSE, FUEL (5.5X3000) (5.5X33) ..	-----	-----	1	95001-55003-60M	5338587
23	CLIP, TUBE (B8)	-----	-----	3	95002-02080	0250647
24	CLIP, TUBE (B10)	-----	-----	5	95002-02100	0250985
25	CLIP, TUBE (C9)	-----	-----	1	95002-50000	0053447
26	CLIP, TUBE (C11)	-----	-----	1	95002-70000	0053595
27	FILTER, FUEL	-----	-----	1	16910-ZV4-015	4432233
28	SUSPENSION, STRAINER	-----	-----	1	16915-ZV4-000	2795284
29	TUBE, FUEL PUMP	-----	-----	1	17704-ZL8-800	5813969
30	TUBE, FUEL TANK	-----	-----	1	17701-ZL8-800	5813951

FLYWHEEL • IGNITION COIL



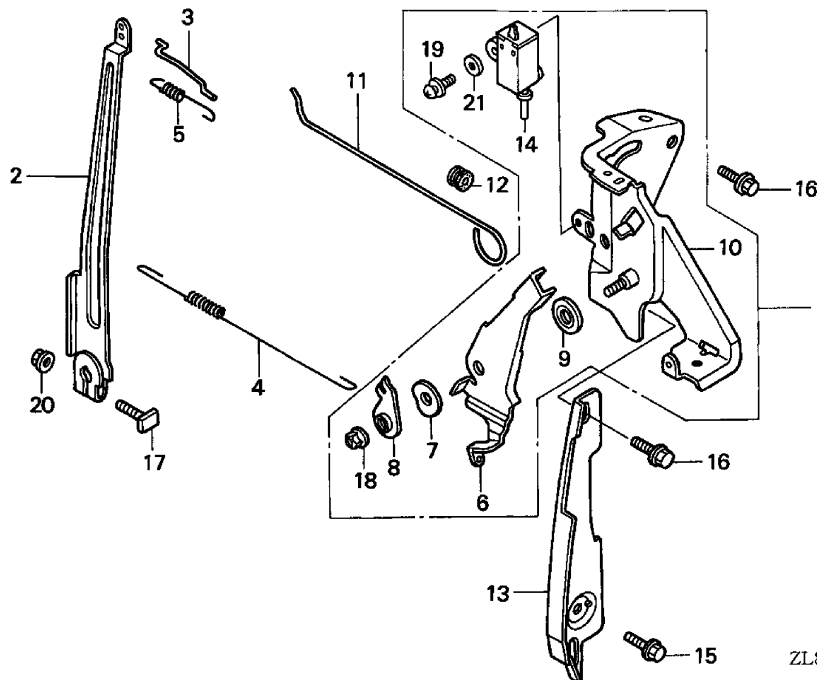
MODEL
A = GC160A

TYPE
a = MHA2

E-19

Ref	Description	Engine Serial Number		QTY	Part Number	H/C
		From	To			
1	KEY, SPECIAL WOODRUFF (25X18)	-----	-----	1	13331-357-000	0348433
2	COIL ASSY., IGNITION	-----	-----	1	30500-Z0J-003	6859722
4	FLYWHEEL	-----	-----	1	31110-Z0J-013	7399538
5	WIRE, STOP SWITCH	-----	-----	1	32195-Z0J-000	6859730
6	HOLDER, STOP SWITCH WIRE	-----	-----	1	36103-ZE1-000	1429141
7	BOLT, FLANGE (6X20) (CT200)	-----	-----	1	90022-888-010	0671552
8	NUT, SPECIAL (14MM)	-----	-----	1	90201-878-003	0442038

CONTROL (1)



ZL80E2200

MODEL
A =GC160A

TYPE
a =MHA2

E-22

Ref	Description	Engine Serial Number		QTY	Part Number	H/C
		From	To			
1	CONTROL ASSY.....	-----	-----	1	16500-ZL8-000	5611074
2	ARM, GOVERNOR.....	-----	-----	1	16551-ZL8-000	5611132
3	ROD, GOVERNOR.....	-----	-----	1	16555-ZL8-000	5611140
4	SPRING, GOVERNOR.....	-----	-----	1	16561-Z0J-000	7557010
5	SPRING, THROTTLE RETURN.....	-----	-----	1	16562-ZL8-800	5927033
6	LEVER, CONTROL	-----	-----	1	16571-ZL8-000	5611181
7	SPRING, LEVER	-----	-----	1	16574-ZE1-000	1427384
8	WASHER, CONTROL LEVER	-----	-----	1	16575-ZL8-000	5611215
9	SPACER, CONTROL LEVER.....	-----	-----	1	16578-ZE1-000	1427400
10	BASE, CONTROL.....	-----	-----	1	16580-ZL8-000	5611256
11	ROD, CHOKE CONTROL	-----	-----	1	16611-ZL8-000	5611272
12	GROMMET, CHOKE ROD	-----	-----	1	16613-893-000	0788596
13	PLATE, SIDE	-----	-----	1	19612-ZL8-000	5656020
14	SWITCH ASSY., ENGINE STOP (N.O)	-----	-----	1	35120-ZL8-003	5611520
15	BOLT, FLANGE (6X12) (CT200)	-----	-----	1	90013-883-000	0636845
16	BOLT, FLANGE (6X14)	-----	-----	2	90014-952-000	0803619
17	BOLT, GOVERNOR ARM	-----	-----	1	90015-ZE5-010	2418671
18	NUT, SELF-LOCK (6MM).....	-----	-----	1	90114-SA0-000	1410182

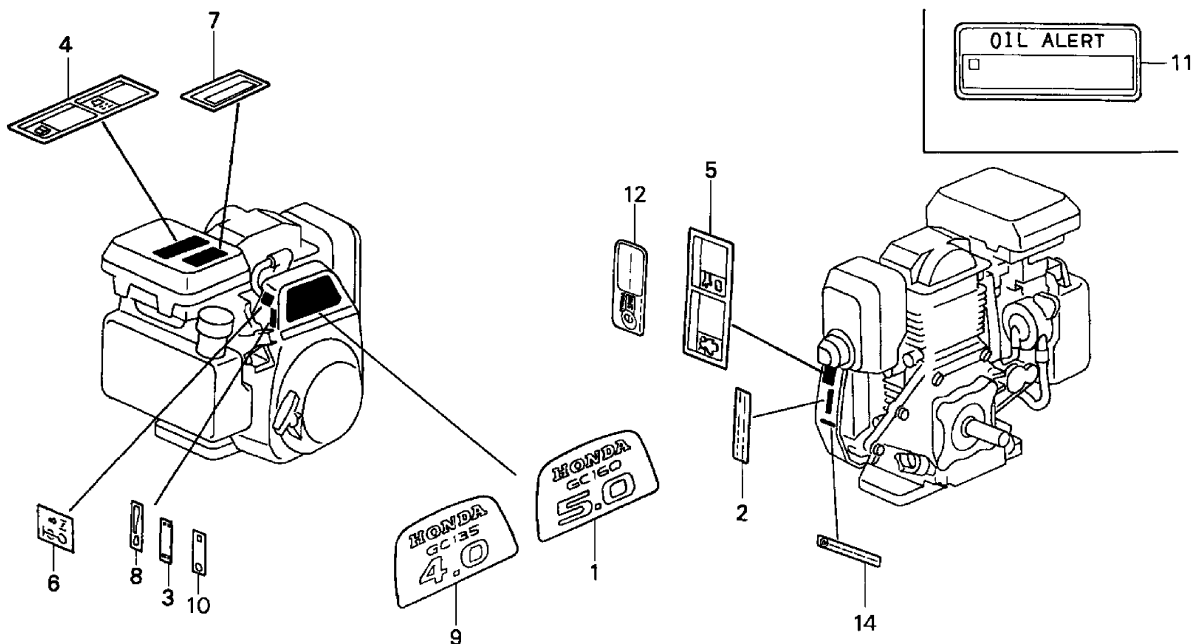
CONTROL (1)

MODEL **TYPE**
 A =GC160A a =MHA2

E-22

Ref	Description	Engine Serial Number		QTY	Part Number	H/C
		From	To			
19	SCREW-WASHER (4X12)	-----	-----	1	93892-04012-00	0485946
20	NUT, FLANGE (6MM).....	-----	-----	1	94050-06000	0471623
21	WASHER, PLAIN (4MM)	-----	-----	1	94103-04000	1510361

LABEL



ZL80-E2800D

ZL80E2800D

MODEL
A =GC160A

TYPE
a =MHA2

E-28

Ref	Description	Engine Serial Number		QTY	Part Number	H/C
		From	To			
1	MARK, EMBLEM (5.0)	-----	2071242	1	87101-ZL8-000	5611611
	EMBLEM (GC160 5.0)	2071243	-----	1	87101-ZL8-010	7325475
6	MARK, CHOKE.....	-----	-----	1	87528-ZL8-000	5611637
8	MARK, THROTTLE INDICATION.....	-----	-----	1	87532-ZL8-800	5656160

Part Number Index

PART NUMBER INDEX

Part Number	Grid	Page	Part Number	Grid	Page	Part Number	Grid	Page
(0)			16562-ZL8-800	1-C8	1-16	87101-ZL8-010	1-D1	1-18
06180-Z0J-000	1-C6	1-12	16571-ZL8-000	1-C8	1-16	87528-ZL8-000	1-D1	1-18
			16574-ZE1-000	1-C8	1-16	87532-ZL8-800	1-D1	1-18
(1)			16575-ZL8-000	1-C8	1-16			
11300-ZL8-601	1-C1	1-3	16578-ZE1-000	1-C8	1-16	(9)		
12000-ZL8-415	1-C1	1-2	16580-ZL8-000	1-C8	1-16	90001-ZE1-000	1-C2	1-5
12209-ZM0-003	1-C3	1-6	16611-ZL8-000	1-C8	1-16	90003-ZL8-000	1-C5	1-11
12311-ZL8-D00	1-C1	1-2	16613-893-000	1-C8	1-16	90004-ZL8-000	1-C6	1-12
12355-ZL8-000	1-C1	1-2	16700-Z0J-003	1-C6	1-13	90012-333-000	1-C3	1-6
13010-ZL8-003	1-C2	1-5	16854-ZH8-000	1-C6	1-13	90013-883-000	1-C1	1-2
13010-ZL8-024	1-C2	1-5	16882-ZL8-000	1-C6	1-13		1-C6	1-12
13101-ZL8-000	1-C2	1-5	16910-ZV4-015	1-C7	1-14		1-C8	1-16
13111-ZE0-000	1-C2	1-5	16915-ZV4-000	1-C7	1-14	90014-952-000	1-C1	1-2
13200-ZL8-000	1-C2	1-5	17211-ZL8-003	1-C5	1-11		1-C8	1-16
13310-Z0J-660	1-C2	1-4	17220-ZL8-000	1-C5	1-11	90015-ZE5-010	1-C8	1-16
13331-357-000	1-C7	1-15	17228-ZL8-000	1-C5	1-11	90022-888-010	1-C7	1-15
14320-ZL8-010	1-C3	1-6	17231-Z0J-020	1-C5	1-11	90041-ZL8-000	1-C6	1-13
14324-ZL8-000	1-C3	1-6	17511-ZL8-800	1-C6	1-13	90043-ZL8-000	1-C4	1-8
14400-Z0J-014	1-C3	1-6	17516-ZV0-000	1-C6	1-13	90055-ZE1-000	1-C6	1-12
14431-Z0J-000	1-C3	1-6	17519-ZL8-800	1-C6	1-13	90114-SA0-000	1-C8	1-16
14441-Z0J-000	1-C3	1-6	17535-KE7-000	1-C6	1-13	90121-952-000	1-C1	1-3
14441-ZL8-000	1-C3	1-6	17561-ZL8-000	1-C6	1-13	90131-896-650	1-C1	1-3
14461-ZL8-000	1-C3	1-6	17620-ZL8-013	1-C6	1-13	90201-878-003	1-C7	1-15
14711-Z0J-000	1-C3	1-6	17701-ZL8-800	1-C7	1-14	90201-ZM0-000	1-C4	1-8
14721-ZL8-000	1-C3	1-6	17702-ZL8-800	1-C6	1-13	90206-001-000	1-C3	1-6
14751-ZL8-000	1-C3	1-6	17703-ZL8-800	1-C6	1-13	90402-ZL8-000	1-C2	1-4
14771-ZE1-000	1-C3	1-6	17704-ZL8-800	1-C7	1-14	90451-ZE1-000	1-C1	1-3
15625-ZE1-003	1-C1	1-3	18310-ZL8-010	1-C6	1-12	90473-896-000	1-C6	1-13
15650-ZL8-013	1-C1	1-3	18321-ZL8-000	1-C6	1-12	90501-KA2-640	1-C6	1-13
15721-ZL8-000	1-C5	1-11	18350-ZL8-000	1-C6	1-12	90551-ZE0-000	1-C2	1-5
16010-883-015	1-C4	1-9	18356-ZL8-000	1-C6	1-12	90602-ZE1-000	1-C1	1-3
16013-ZL1-003	1-C4	1-9	18381-ZL8-305	1-C6	1-12	91201-ZL8-003	1-C1	1-2
16015-ZL8-003	1-C4	1-9	19611-ZL8-000ZA	1-C4	1-8	91202-ZL8-003	1-C1	1-3
16016-ZG0-W00	1-C5	1-10	19612-ZL8-000	1-C8	1-16	91301-ZM0-V31	1-C3	1-6
16024-124-760	1-C4	1-9	19619-ZL8-300	1-C4	1-8	93404-06025-00	1-C6	1-13
16028-ZE0-005	1-C4	1-9	19650-ZL8-000	1-C4	1-9	93500-05006-0H	1-C5	1-10
16029-ZG0-901	1-C4	1-9	19664-ZL8-000	1-C6	1-12	93892-04012-00	1-C8	1-17
16100-ZL8-802	1-C4	1-9	(2)			93894-05014-00	1-C6	1-13
16100-ZL8-803	1-C4	1-9	28400-ZL8-023ZA	1-C3	1-7	94050-06000	1-C6	1-13
16155-ZL8-003	1-C4	1-9	28461-ZL8-003	1-C3	1-7		1-C8	1-17
16155-ZL8-013	1-C4	1-9	28462-ZL8-003	1-C3	1-7	94101-06800	1-C1	1-3
16166-ZL8-003	1-C4	1-9				94103-04000	1-C8	1-17
16211-ZL8-000	1-C4	1-9	(3)			94109-12000	1-C1	1-3
16212-ZL8-000	1-C4	1-9	30500-Z0J-003	1-C7	1-15	94251-08000	1-C1	1-3
16221-883-800	1-C4	1-9	31110-Z0J-013	1-C7	1-15	94301-08200	1-C1	1-3
16228-ZL8-000	1-C4	1-9	32195-Z0J-000	1-C7	1-15	95001-55003-60M	1-C7	1-14
16500-ZL8-000	1-C8	1-16	35120-ZL8-003	1-C8	1-16	95002-02080	1-C7	1-14
16510-ZL8-000	1-C1	1-3	36103-ZE1-000	1-C7	1-15	95002-02100	1-C7	1-14
16531-ZE1-000	1-C1	1-3				95002-02650	1-C5	1-10
16541-ZL8-000	1-C1	1-3	(8)			95002-50000	1-C7	1-14
16551-ZL8-000	1-C8	1-16	80103-MG2-000	1-C6	1-13	95002-70000	1-C7	1-14
16555-ZL8-000	1-C8	1-16	87101-ZL8-000	1-D1	1-18	95003-07008-60M	1-C5	1-10
16561-Z0J-000	1-C8	1-16				98079-56846	1-C1	1-2
						99101-124-0600	1-C5	1-10
						99101-124-0620	1-C5	1-10

PART NUMBER INDEX

Part Number	Grid	Page	Part Number	Grid	Page	Part Number	Grid	Page
-------------	------	------	-------------	------	------	-------------	------	------

99101-124-0650	1-C5	1-10						
----------------------	------	------	--	--	--	--	--	--

Description

Index

DESCRIPTION INDEX

Description	Grid	Page	Ref	Description	Grid	Page	Ref
(A)				CYLINDER ASSY. (010)	1-C1	1-2	1
ARM, EX. VALVE ROCKER	1-C3	1-6	5	(E)			
ARM, GOVERNOR	1-C8	1-16	2	ELEMENT, AIR CLEANER	1-C5	1-11	2
ARM, IN. VALVE ROCKER	1-C3	1-6	4	EMBLEM (GC160 5.0)	1-D1	1-18	1
ARRESTER KIT, SPARK	1-C6	1-12	13	(F)			
ARRESTER, SPARK	1-C6	1-12	10	FILTER, FUEL	1-C7	1-14	27
(B)				FLOAT SET	1-C4	1-9	2
BASE, CONTROL	1-C8	1-16	10	FLYWHEEL	1-C7	1-15	4
BELT, TIMING (84HU7 G-200)	1-C3	1-6	3	(G)			
BOLT, CONNECTING ROD	1-C2	1-5	5	GASKET SET	1-C4	1-9	1
BOLT, DRAIN PLUG	1-C1	1-3	11	GASKET, AIR CLEANER	1-C5	1-11	4
BOLT, FLANGE (6X112) (CT200)	1-C5	1-11	6	GASKET, CARBURETOR	1-C4	1-9	13
BOLT, FLANGE (6X12) (CT200)	1-C1	1-2	5	GASKET, CARBURETOR (CHOKE SIDE)	1-C4	1-9	14
	1-C6	1-12	7	GASKET, INSULATOR	1-C4	1-9	12
	1-C8	1-16	15	GASKET, MUFFLER	1-C6	1-12	9
BOLT, FLANGE (6X14)	1-C1	1-2	6	GASKET, OIL FILLER CAP	1-C1	1-3	2
	1-C8	1-16	16	GAUGE ASSY., OIL LEVEL	1-C1	1-3	3
BOLT, FLANGE (6X20) (CT200)	1-C7	1-15	7	GOVERNOR ASSY.	1-C1	1-3	4
BOLT, FLANGE (6X25)	1-C1	1-3	10	GROMMET, CHOKE ROD	1-C8	1-16	12
BOLT, FLANGE (6X79) (CT200)	1-C6	1-12	6	GUIDE, AIR	1-C4	1-9	15
BOLT, GOVERNOR ARM	1-C8	1-16	17	(H)			
BOLT, STUD	1-C4	1-8	2	HOLDER, STOP SWITCH WIRE	1-C7	1-15	6
BOLT, STUD (F/TANK)	1-C6	1-13	16	HOUSING, AIR CLEANER	1-C5	1-11	3
BOLT-WASHER (6X25)	1-C6	1-13	19	(I)			
BULK HOSE, FUEL (5.5X3000) (5.5X33)	1-C7	1-14	22	INSULATOR, CARBURETOR	1-C4	1-9	11
BULK HOSE, VINYL (4X7X8000) (4X7X150)	1-C5	1-10	18	(J)			
(C)				JET, MAIN (#60)	1-C5	1-10	19
CAP ASSY., FUEL TANK	1-C6	1-13	10	JET, MAIN (#62)	1-C5	1-10	19
CARBURETOR ASSY. (BB61B C)	1-C4	1-9	8	JET, MAIN (#65)	1-C5	1-10	19
CARBURETOR ASSY. (BB61B D)	1-C4	1-9	8	JOINT, FUEL TUBE	1-C6	1-13	7
CHAMBER SET, FLOAT	1-C4	1-9	3	(K)			
CLIP, GOVERNOR HOLDER	1-C1	1-3	13	KEY, SPECIAL WOODRUFF (25X18)	1-C7	1-15	1
CLIP, PISTON PIN (13MM)	1-C2	1-5	6	KNOB, RECOIL STARTER	1-C3	1-7	2
CLIP, TUBE (B10)	1-C7	1-14	24	(L)			
CLIP, TUBE (B6.5)	1-C5	1-10	17	LEVER, CONTROL	1-C8	1-16	6
CLIP, TUBE (B8)	1-C7	1-14	23	(M)			
CLIP, TUBE (C11)	1-C7	1-14	26	MARK, CHOKE	1-D1	1-18	6
CLIP, TUBE (C9)	1-C7	1-14	25	MARK, EMBLEM (5.0)	1-D1	1-18	1
COIL ASSY., IGNITION	1-C7	1-15	2				
COLLAR (14X6.1)	1-C6	1-13	18				
COLLAR, FAN COVER	1-C4	1-8	4				
COLLAR, FUEL TANK SETTING	1-C6	1-13	8				
CONTROL ASSY.	1-C8	1-16	1				
COVER ASSY., CRANKCASE	1-C1	1-3	1				
COVER, AIR CLEANER	1-C5	1-11	5				
COVER, BREATHER	1-C1	1-2	4				
COVER, FAN *NH1* (BLACK)	1-C4	1-8	1				
COVER, HEAD	1-C1	1-2	3				
CRANKSHAFT	1-C2	1-4	13				

DESCRIPTION INDEX

Description	Grid	Page	Ref	Description	Grid	Page	Ref
MARK, THROTTLE INDICATION	1-D1	1-18	8	SCREW-WASHER (5X14)	1-C6	1-13	20
MUFFLER	1-C6	1-12	1	SEAL, VALVE STEM	1-C3	1-6	14
(N)				SHAFT, CAM PULLEY	1-C3	1-6	2
NOZZLE, MAIN	1-C4	1-9	10	SHAFT, GOVERNOR ARM	1-C1	1-3	9
NUT, FLANGE (6MM)	1-C4	1-8	3	SHAFT, ROCKER ARM	1-C3	1-6	6
	1-C6	1-13	21	SHROUD, MUFFLER	1-C6	1-12	5
	1-C8	1-17	20	SLIDER, GOVERNOR	1-C1	1-3	8
NUT, SELF-LOCK (6MM)	1-C8	1-16	18	SPACER, CONTROL LEVER	1-C8	1-16	9
NUT, SPECIAL (14MM)	1-C7	1-15	8	SPARK PLUG (BPR6ES) (NGK)	1-C1	1-2	8
NUT, TAPPET ADJ.	1-C3	1-6	12	SPRING, GOVERNOR	1-C8	1-16	4
(O)				SPRING, LEVER	1-C8	1-16	7
O-RING (6.8X1.9)	1-C3	1-6	13	SPRING, THROTTLE RETURN	1-C8	1-16	5
OIL SEAL (25.4X62X6)	1-C1	1-2	7	SPRING, VALVE	1-C3	1-6	9
OIL SEAL (28X41.25X6)	1-C1	1-3	15	STARTER ASSY., RECOIL *NH1* (BLACK)	1-C3	1-7	1
(P)				STAY A, FUEL TANK	1-C6	1-13	9
PIN, DOWEL (8X20)	1-C1	1-3	19	SUSPENSION, STRAINER	1-C7	1-14	28
PIN, LOCK (8MM)	1-C1	1-3	18	SWITCH ASSY., ENGINE STOP (N.O)	1-C8	1-16	14
PIN, PISTON	1-C2	1-5	3	(T)			
PISTON	1-C2	1-5	2	TANK, FUEL	1-C6	1-13	5
PLATE, ARRESTER NUMBER	1-C6	1-12	11	TUBE, BREATHER	1-C5	1-11	1
PLATE, SIDE	1-C8	1-16	13	TUBE, DIAPHRAGM	1-C6	1-13	3
PROTECTOR, MUFFLER	1-C6	1-12	2	TUBE, FUEL	1-C6	1-13	13
PULLEY, CAMSHAFT	1-C3	1-6	1	TUBE, FUEL PUMP	1-C7	1-14	29
PUMP ASSY., FUEL	1-C6	1-13	1	TUBE, FUEL RETURN	1-C6	1-13	14
(R)				TUBE, FUEL TANK	1-C7	1-14	30
RETAINER, IN. VALVE SPRING	1-C3	1-6	10	(V)			
RING SET, PISTON (RIKEN)	1-C2	1-5	1	VALVE, EX.	1-C3	1-6	8
RING SET, PISTON (TEIKOKU)	1-C2	1-5	1	VALVE, FLOAT	1-C4	1-9	9
ROD ASSY., CONNECTING	1-C2	1-5	4	VALVE, IN.	1-C3	1-6	7
ROD, CHOKE CONTROL	1-C8	1-16	11	(W)			
ROD, GOVERNOR	1-C8	1-16	3	WASHER (8MM)	1-C6	1-13	17
ROPE, RECOIL STARTER (#3.5X52")	1-C3	1-7	3	WASHER, CONTROL LEVER	1-C8	1-16	8
RUBBER B, TANK MOUNTING	1-C6	1-13	6	WASHER, DRAIN PLUG (12MM)	1-C1	1-3	17
RUBBER, RR. FENDER	1-C6	1-13	15	WASHER, PLAIN (4MM)	1-C8	1-17	21
RUBBER, SUPPORTER (107MM)	1-C6	1-13	2	WASHER, PLAIN (6MM)	1-C1	1-3	16
(S)				WASHER, THRUST	1-C2	1-4	4
SCREW SET	1-C4	1-9	7	WASHER, THRUST (6MM)	1-C1	1-3	12
	1-C5	1-10	22	WIRE, STOP SWITCH	1-C7	1-15	5
SCREW SET B	1-C4	1-9	6				
SCREW SET, DRAIN	1-C4	1-9	5				
SCREW, PAN (5X6)	1-C5	1-10	16				
SCREW, TAPPET ADJ.	1-C3	1-6	11				
SCREW, TAPPING (4X6)	1-C6	1-12	8				
	1-C6	1-12	12				
SCREW-WASHER (4X12)	1-C8	1-17	19				