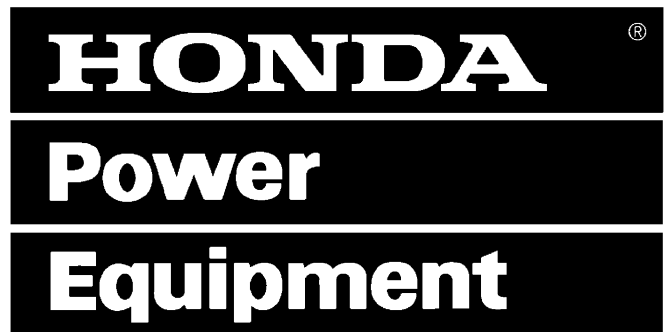


General Purpose Engine

GCV160A
(TYPE S3A)



Parts Catalog

SEPTEMBER, 2004

American Honda Motor Co., Inc.

TABLE OF CONTENTS

Introduction

Grid / Page

- HOW TO USE THIS CATALOG A2 4
- SERIAL NUMBERS A3 6
- BULK HOSE PART NUMBER PATTERN..... A3 7
- MASTER INDEX A4 8

Part Groups

- ENGINE SECTION 1-C1 1-1

Index

- PART NUMBER INDEX B1 2-1
- DESCRIPTION INDEX 1-D1 3-1

HOW TO USE THIS CATALOG

CATALOG PAGE BREAKDOWN (Generic layout-sample data only)

MODEL		TYPE		Engine Serial Number		ORG	QTY	Part Number	H/C
Ref.	Description	Mod	Type	From	To				
1	COVER SET, CYLINDER HEAD	A	b	15240057	-----	JPN	1	12310-PE2-020	2031797
	COVER SET, CYLINDER HEAD			-----	12234811	USA	1	12310-PE2-030	2210888

KEY TO CATALOG PAGE BREAKDOWN

1. **Ref.** - Reference numbers correspond to the reference numbers on the illustrations. All illustrations are representative only and do not necessarily correspond exactly to the actual part. "NI" signifies the part is not illustrated.

2. **Description*** - Describes the part for the related part number.

Abbreviations:

ASSY.	- Assembly	V	- Volt
COMP.	- Complete	W	- Watt
L(100L)	- Link(100Links)	A.C.	- Alternating Current
R.	- Right	D.C.	- Direct Current
L.	- Left	KPH	- Kilometers Per Hour
IN.	- Inlet	MPH	- Miles Per Hour
EX.	- Exhaust	A.M.	- Attaching Mark
FR.	- Front	T.M.	- Transcript Mark
RR.	- Rear	A	- Ampere
HEX.	- Hexagonal	WL	- With Labeling
STD.	- Standard	WOL	- Without Labeling
MM	- Millimeter	T (22T)	- Tooth
G	- Gram	C.D.I.	- Capacitive Discharge Ignition
		G.F.C.I.	- Ground Fault Circuit Interruptor

3. **Model*** - Model indicator code is unique per catalog (not consistent with other catalogs).

4. Each catalog will be represented with applicable model indicators and models.

5. **Serial Number** - Applies to Engine or Frame serial numbers depending on the section. The serial numbers of the vehicle (frame, engine, carburetor) should be checked prior to ordering parts for a specific unit. In cases where a part has been modified, the serial number of the vehicle bearing the modification is listed in the 'SERIAL NUMBER' column. The modification parts are controlled by each pertinent serial number below.

Engine serial number - Engine group parts (Block numbers beginning with 'E').

Carburetor identification number - Carburetor component parts.

Frame serial number - Frame group parts (Block numbers beginning with 'F').

A serial number chart and serial number locations are provided.

Note - Some models may be controlled by one serial number only.

6. **Type*** - Applicable model Type is defined in the serial number chart.

7. **ORG*** - Manufacturing origin of the unit.

8. **QTY** - Quantity required per unit as specified.

A. "AR" in place of the quantity indicates AS REQUIRED.

B. "()" Parentheses in the quantity required indicate "optional".

9. **Part Number** - Part number corresponds to the reference number and application. Several part numbers may be listed under one (1) reference number. For your convenience the current supersede chain, as of print date, has been listed. Supersede chains are subject to change without notice.

10. **H/C** - The Honda Code and Part Number share a 1 to 1 relationship.

MAKE-UP OF PART NUMBERS

All parts are classified into two groups consisting of "GENERAL PARTS" and "STANDARD PARTS". All parts are numbered in accordance with the system described below:

General Parts

Example: Driver Seat Assembly Part No.	77400-634-671ZA
Function No.	77
Component No.	400
Model Code No.	-634-
Modification Process Design	671
Color Code**	ZA

Additional Information - The section index located at the bottom of each microfiche grid lists section titles. The Engine and Frame sections have separate section indexes.

*When columns become full, additional data is displayed on a second line.

**The color code at the end of a part number indicates a color. Color codes such as ZA, ZB, ZC . . . , except ZZ, do not indicate the actual color. Actual colors are represented in code, between asterisks in the part description.

Note:

Additional Information

Ref. Reference numbers may skip number sequence because they apply in other applications.

Chapter Table of Contents

Some Page Titles are numbered, such as Air Cleaner (1), Air Cleaner (3) or Muffler (2) or Muffler (4), etc., may skip numbering sequence because they apply in other volumes of the same model (s).

This page intentionally left blank.

SERIAL NUMBERS

Models and applicable serial numbers

Models and applicable serial numbers given in this parts catalog can be identified as follows.

Model	Type	Applicable Engine Serial No.	Applicable Frame Serial No.	Applicable Carburetor Identification
GCV160A	S3A	GJAEA-1000001~	—	BB62B A

BULK HOSE PART NUMBER PATTERN

Construction of Fuel and Vacuum Hose Part Number

Example: 9 5 0 0 1 - 7 5 0 0 1 - 4 0 M

Roll Hose

All roll hose part numbers have an "M" in this position

Appearance Code

Fuel Hose:

- 2 = Red, braided exterior
- 3 = Red
- 4 = Ash Gray with red stripe
- 5 = Black, braided interior
- 6 = Black

Vinyl Hose:

- 1 = Ash Gray
- 2 = Black
- 3 = Light Red
- 6 = Light Red
- 7 = Pale Black

Vacuum Hose:

- 1 = Ash Gray
- 2 = Ash Gray
- 3 = Black
- 5 = Black

Length

Cut Hose length is in *Millimeters (mm)*

Bulk Hose length is in *Meters (M)*

Inside Diameter

Fuel and Vacuum Hose

- | | |
|-----------------------|------------------------------|
| 35 = 3.5 mm | 11 = 11 mm |
| 45 = 4.5 mm | 91 = 12 (outside dia. 15) mm |
| 50 = 5.0 mm | 92 = 12 (outside dia. 16) mm |
| 55 = 5.3 mm or 5.5 mm | 12 = 12 (outside dia. 17) mm |
| 65 = 6.5 mm | 14 = 14 mm |
| 70 = 7.0 mm | 17 = 17 mm |
| 75 = 7.3 mm or 7.5 mm | |
| 80 = 8.0 mm | |

ID./OD. Code : Vinyl Hose

- | | | |
|--------------------------|----------------------------|----------------------------|
| 01 = ID. 2.9, OD. 6.8 mm | 14 = ID. 6.0, OD. 9.0 mm | 37 = ID. 11.0, OD. 15.0 mm |
| 03 = ID. 3.0, OD. 6.0 mm | 17 = ID. 7.0, OD. 9.0 mm | 38 = ID. 12.0, OD. 13.0 mm |
| 05 = ID. 3.5, OD. 6.5 mm | 19 = ID. 7.0, OD. 11.0 mm | 39 = ID. 12.0, OD. 14.0 mm |
| 07 = ID. 4.0, OD. 7.0 mm | 21 = ID. 8.0, OD. 9.0 mm | 40 = ID. 12.0, OD. 16.0 mm |
| 08 = ID. 4.5, OD. 6.5 mm | 23 = ID. 8.0, OD. 12.0 mm | 43 = ID. 13.0, OD. 15.0 mm |
| 09 = ID. 4.5, OD. 8.0 mm | 25 = ID. 9.0, OD. 11.0 mm | 45 = ID. 14.0, OD. 18.0 mm |
| 12 = ID. 5.0, OD. 7.0 mm | 27 = ID. 9.0, OD. 13.0 mm | 50 = ID. 16.0, OD. 19.0 mm |
| 10 = ID. 5.0, OD. 8.0 mm | 33 = ID. 10.0, OD. 14.0 mm | 55 = ID. 17.5, OD. 20.5 mm |
| 11 = ID. 5.0, OD. 9.0 mm | 36 = ID. 11.0, OD. 13.0 mm | 60 = ID. 22.0, OD. 27.0 mm |

Hose Type:

- 1 = Fuel Hose
- 3 = Vinyl Hose
- 5 = Vacuum Hose

CAUTION: Never use vacuum / or vinyl hose in place of fuel hose or vice versa

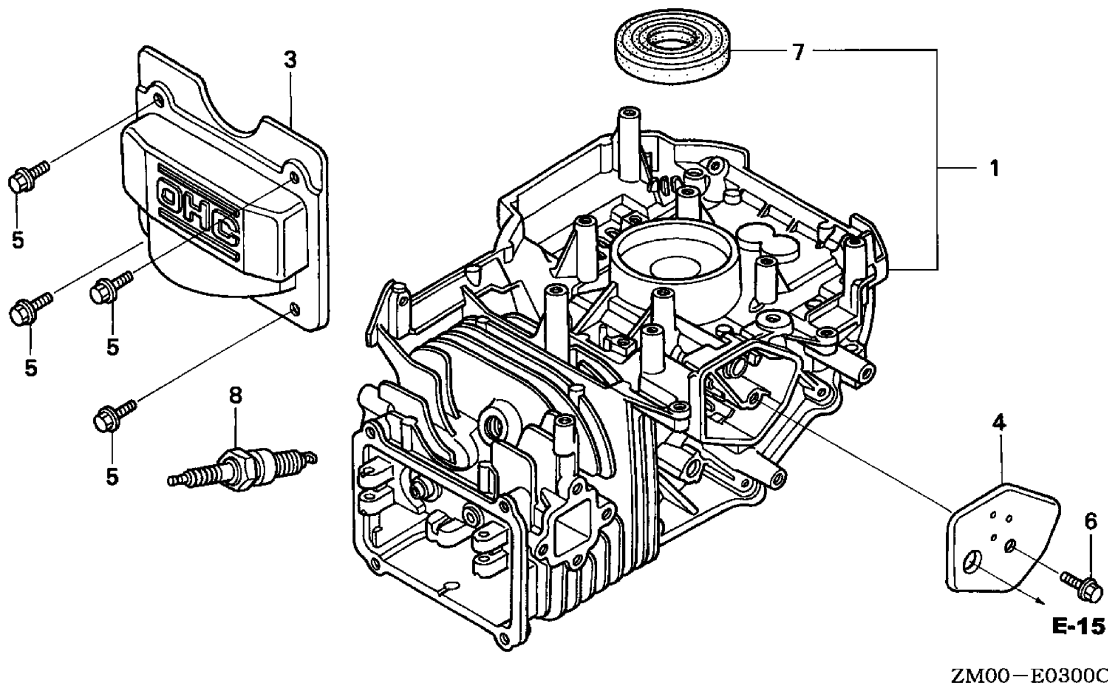
MASTER INDEX

Title	Grid	Page	Title	Grid	Page
ENGINE SECTION					
CYLINDER BARREL.....	1-C1	1-2			
OIL PAN	1-C1	1-3			
CRANKSHAFT	1-C2	1-5			
PISTON • CONNECTING ROD.....	1-C3	1-6			
CAMSHAFT PULLEY	1-C3	1-7			
RECOIL STARTER	1-C4	1-8			
FAN COVER	1-C4	1-9			
CARBURETOR	1-C5	1-10			
AIR CLEANER	1-C6	1-12			
MUFFLER	1-C6	1-13			
FLYWHEEL	1-C7	1-14			
CONTROL (1).....	1-C7	1-15			
CHOKE BASE.....	1-C8	1-16			
LABELS.....	1-C8	1-17			

ENGINE SECTION
Chapter Table of Contents

Page Title	Grid	Page
CYLINDER BARREL	1-C1	1-2
OIL PAN	1-C1	1-3
CRANKSHAFT	1-C2	1-5
PISTON • CONNECTING ROD	1-C3	1-6
CAMSHAFT PULLEY	1-C3	1-7
RECOIL STARTER	1-C4	1-8
FAN COVER	1-C4	1-9
CARBURETOR	1-C5	1-10
AIR CLEANER	1-C6	1-12
MUFFLER	1-C6	1-13
FLYWHEEL	1-C7	1-14
CONTROL (1)	1-C7	1-15
CHOKE BASE	1-C8	1-16
LABELS	1-C8	1-17

CYLINDER BARREL



ZM00E0300C

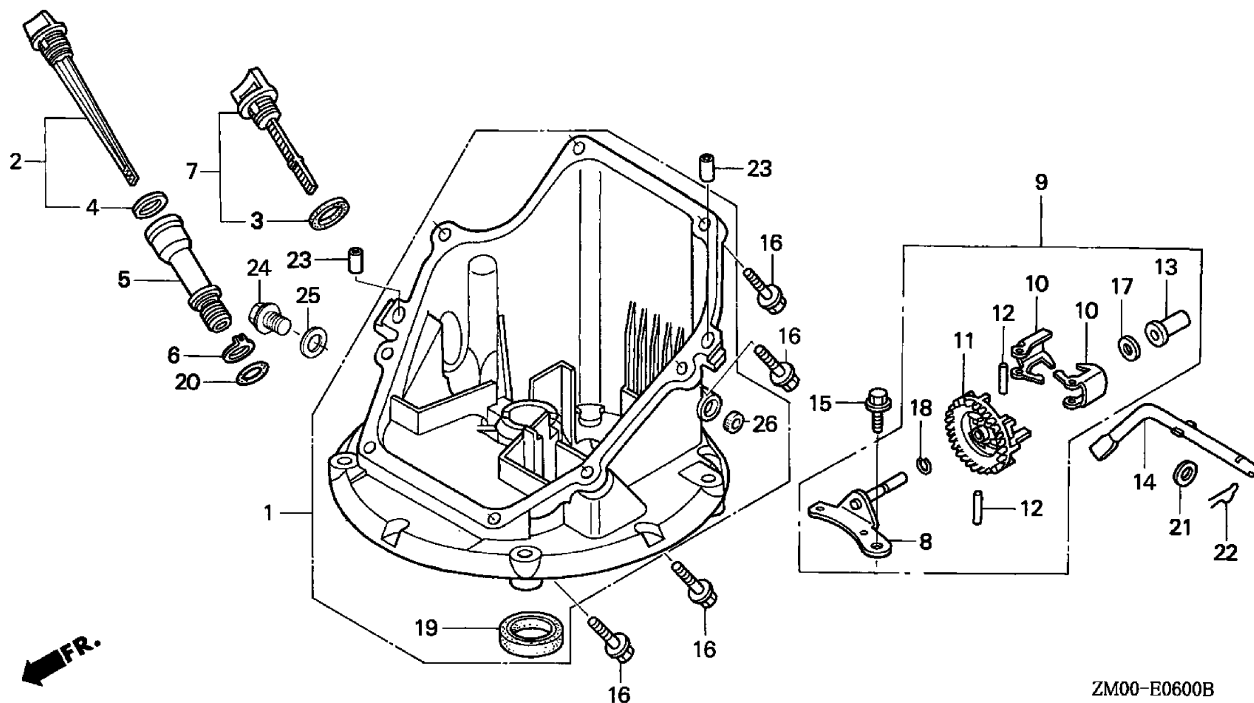
MODEL
A =GCV160A

TYPE
a =S3A

E-3

Ref	Description	Engine Serial Number		QTY	Part Number	H/C
		From	To			
1	CYLINDER ASSY. (010).....	-----	-----	1	12000-ZL8-415	6842413
3	COVER, HEAD.....	-----	-----	1	12311-ZL8-000	5579990
4	COVER, BREATHER (BREATHER VALVE ASSY.).....	-----	-----	1	12355-ZL8-000	5580006
5	BOLT, FLANGE (6X12) (CT200).....	-----	-----	4	90013-883-000	0636845
6	BOLT, FLANGE (6X14).....	-----	-----	1	90014-952-000	0803619
7	OIL SEAL (25.4X62X6).....	-----	-----	1	91201-ZL8-003	5581038
8	SPARK PLUG (BPR6ES) (NGK).....	-----	-----	1	98079-56846	1441112

OIL PAN



ZM00-B0600B

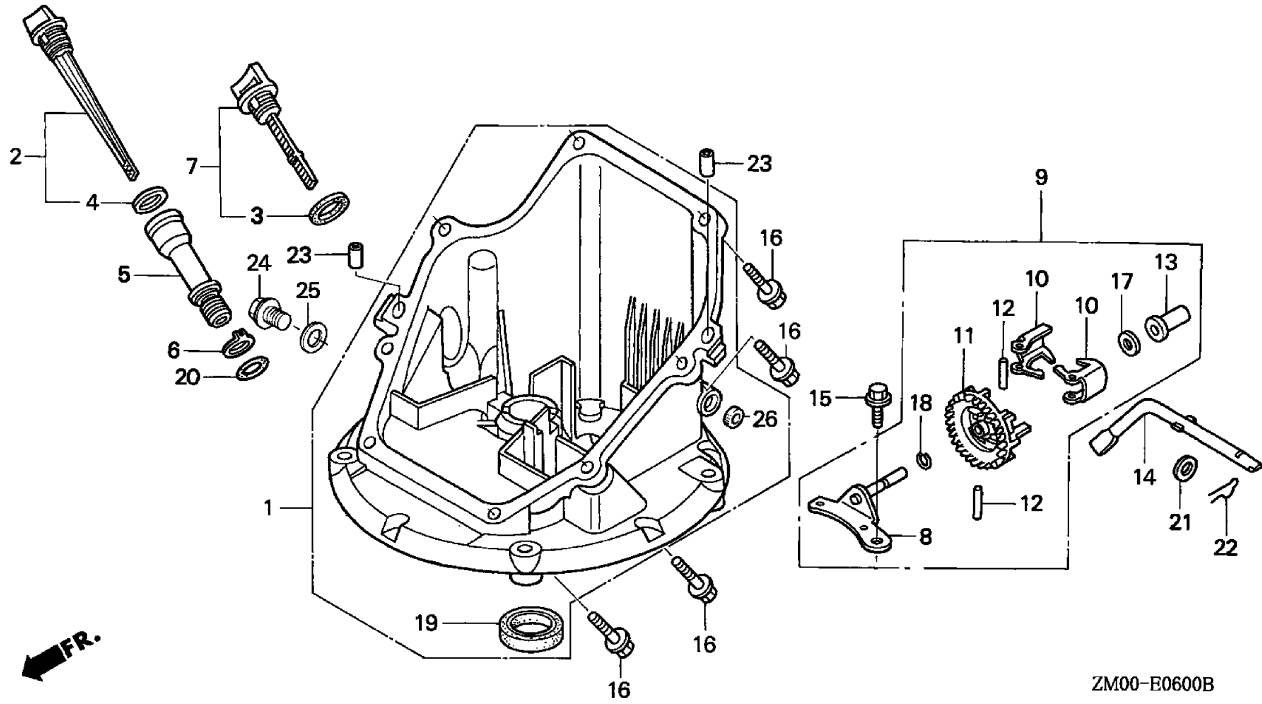
ZM00E0600B

MODEL **TYPE**
 A =GCV160A a =S3A

E-6

Ref	Description	Engine Serial Number		QTY	Part Number	H/C
		From	To			
1	PAN ASSY., OIL (000)	-----	-----	1	11300-ZM0-405	6315675
2	DIPSTICK, OIL	-----	-----	1	15650-ZM0-801	5716915
4	GASKET, OIL FILLER CAP	-----	-----	1	15625-ZE6-000	1452754
5	EXTENSION, OIL FILLER	-----	-----	1	15631-ZM0-000	5664503
6	WASHER, EXTENSION LOCK	-----	-----	1	15639-ZM0-000	5664511
8	SHAFT, GOVERNOR HOLDER.....	-----	-----	1	16508-ZM0-010	6384341
9	GOVERNOR ASSY.....	-----	-----	1	16510-ZM0-010	6384333
10	WEIGHT, GOVERNOR	-----	-----	2	16511-ZL8-000	5580287
11	HOLDER, GOVERNOR WEIGHT	-----	-----	1	16512-ZM0-000	5580295
12	PIN, GOVERNOR WEIGHT	-----	-----	2	16513-ZE1-000	1427244
13	SLIDER, GOVERNOR	-----	-----	1	16531-ZE1-000	1427251
14	SHAFT, GOVERNOR ARM	-----	-----	1	16541-ZM0-000	5580303
15	BOLT, FLANGE (6X14)	-----	-----	1	90014-952-000	0803619
16	BOLT, FLANGE (6X25)	-----	-----	8	90121-952-000	0748111
17	WASHER, THRUST (6MM)	-----	-----	1	90451-ZE1-000	2413862
18	CLIP, GOVERNOR HOLDER.....	-----	-----	1	90602-ZE1-000	2456697
19	OIL SEAL (28X41.25X6).....	-----	-----	1	91202-ZL8-003	5581046
20	O-RING (14.8X2.4) (ARAI)	-----	-----	1	91303-KF0-003	1521087

OIL PAN



ZM00-E0600B

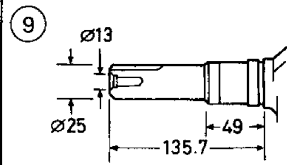
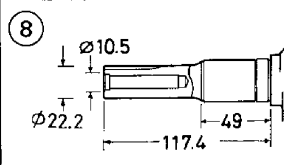
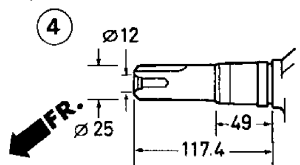
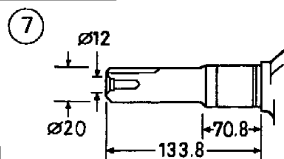
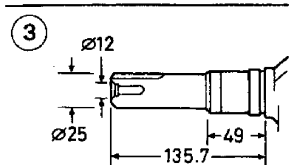
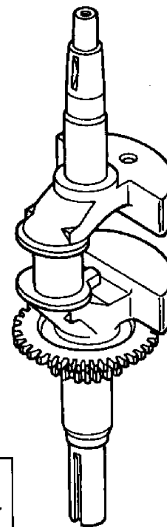
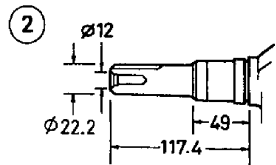
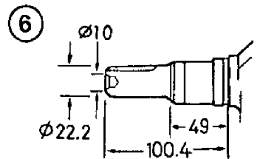
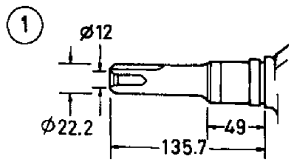
ZM00E0600B

MODEL **TYPE**
 A =GCV160A a =S3A

E-6

Ref	Description	Engine Serial Number		QTY	Part Number	H/C
		From	To			
20	O-RING (14.8X2.4) (NOK)	-----	-----	1	91356-MA6-005	1377704
21	WASHER, PLAIN (6MM)	-----	-----	1	94101-06800	0345900
22	PIN, LOCK (8MM).....	-----	-----	1	94251-08000	0115527
23	PIN, DOWEL (8X20).....	-----	-----	2	94301-08200	1417369

CRANKSHAFT



ZM00-E0700D

ZM00E0700D

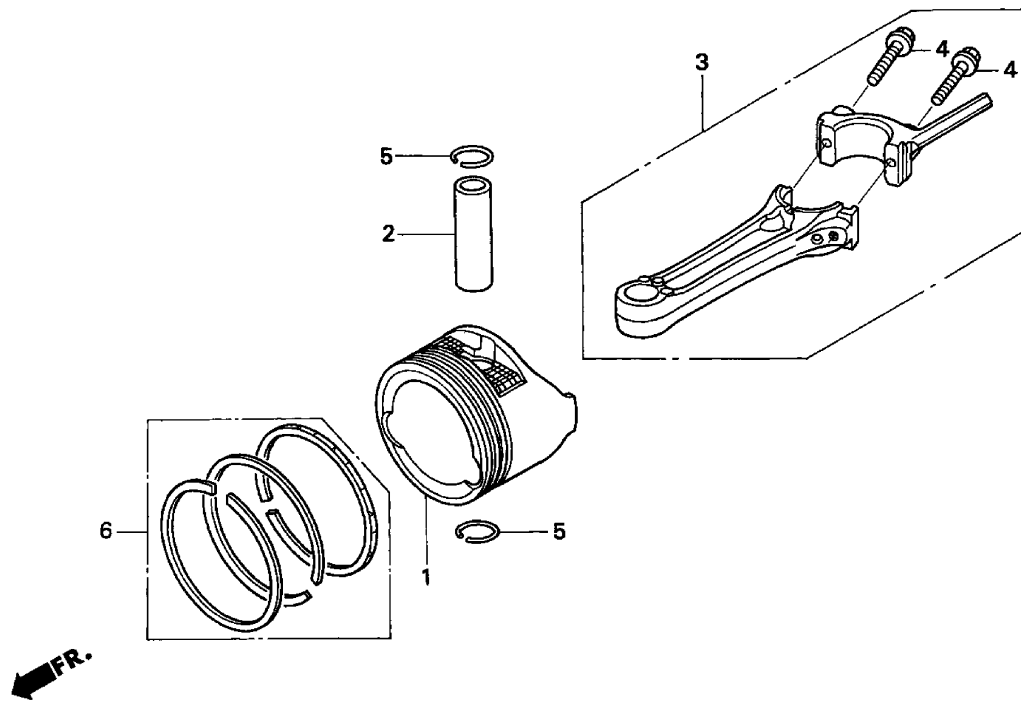
MODEL
A =GCV160A

TYPE
a =S3A

E-7

Ref	Description	Engine Serial Number		QTY	Part Number	H/C
		From	To			
3	CRANKSHAFT (N3-TYPE).....	-----	-----	1	13310-ZM0-610	5664495
5	WASHER, THRUST	-----	-----	1	90402-ZL8-000	5581012

PISTON • CONNECTING ROD



ZM00-E0800A

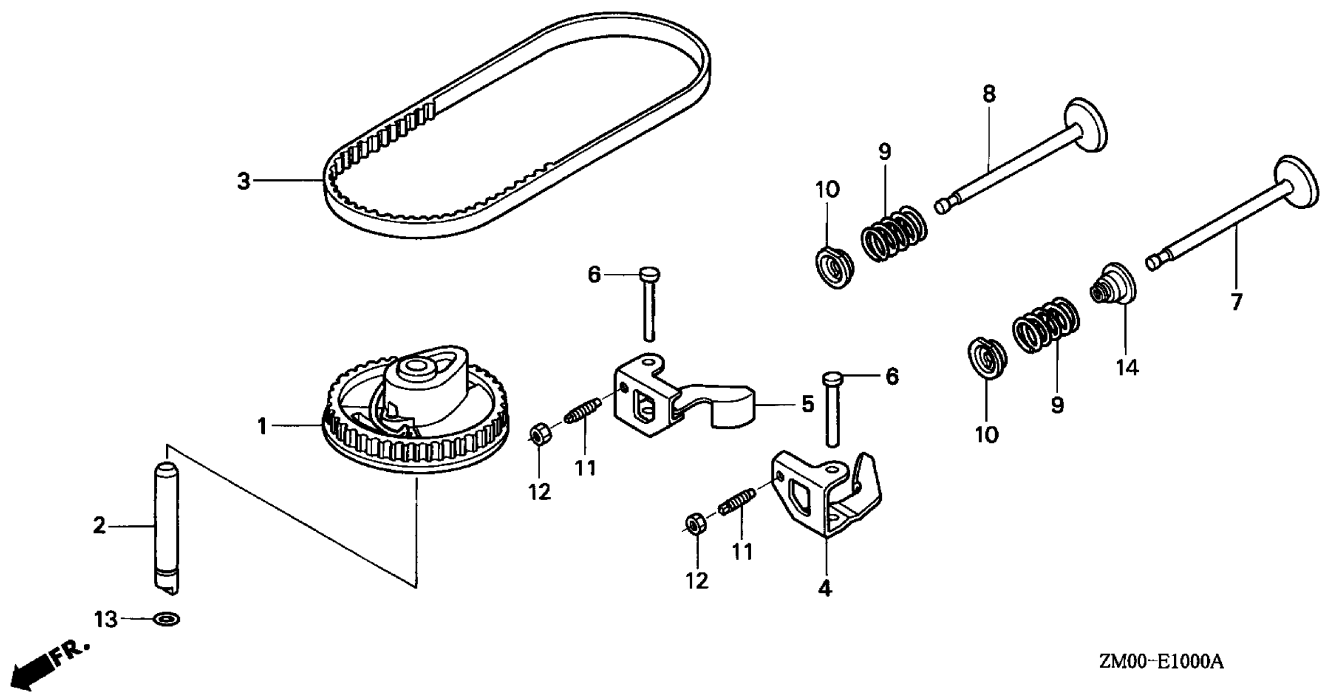
ZM00E0800A

MODEL **TYPE**
 A =GCV160A a =S3A

E-8

Ref	Description	Engine Serial Number		QTY	Part Number	H/C
		From	To			
1	PISTON	-----	-----	1	13101-ZL8-000	5580014
2	PIN, PISTON	-----	-----	1	13111-ZE0-000	1426576
3	ROD ASSY., CONNECTING	-----	-----	1	13200-ZL8-000	5580022
4	BOLT, CONNECTING ROD	-----	-----	2	90001-ZE1-000	1431055
5	CLIP, PISTON PIN (13MM)	-----	-----	2	90551-ZE0-000	2605517
6	RING SET, PISTON (RIKEN)	-----	-----	1	13010-ZL8-003	5655949
	RING SET, PISTON (TEIKOKU)	-----	-----	1	13010-ZL8-024	7154727

CAMSHAFT PULLEY



ZM00-E1000A

ZM00E1000A

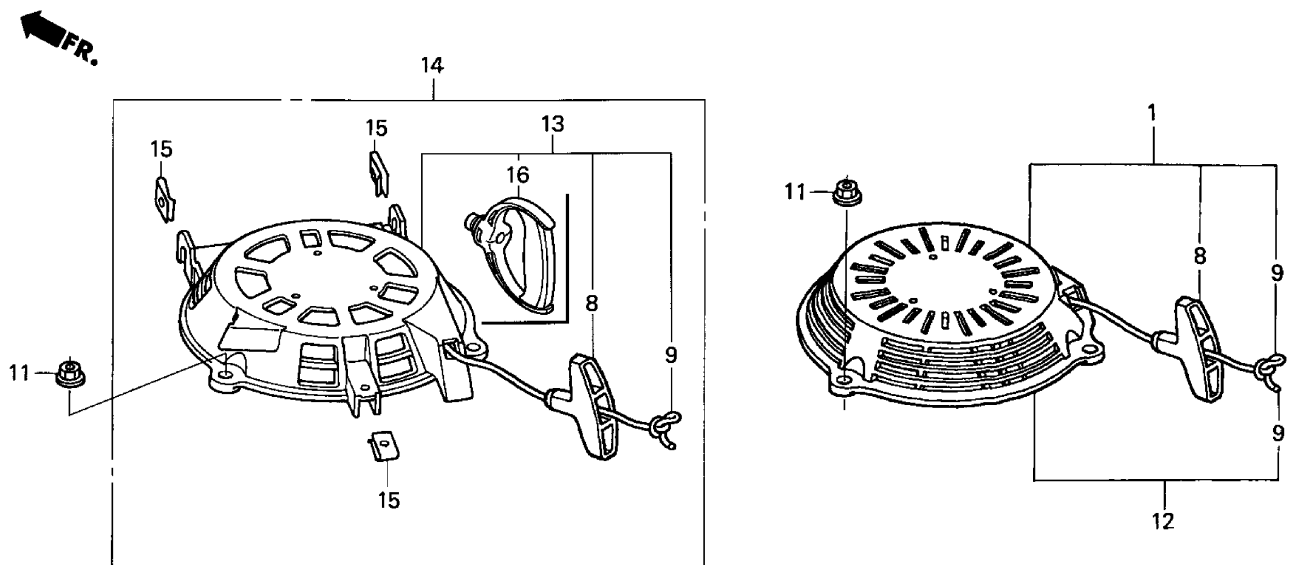
MODEL
A =GCV160A

TYPE
a =S3A

E-10

Ref	Description	Engine Serial Number		QTY	Part Number	H/C
		From	To			
1	PULLEY, CAMSHAFT	-----	-----	1	14320-ZL8-010	7049679
2	SHAFT, CAM PULLEY	-----	-----	1	14324-ZL8-000	5580063
3	BELT, TIMING (84HU7 G-200).....	-----	-----	1	14400-Z0J-014	7058985
4	ARM, IN. VALVE ROCKER	-----	-----	1	14431-ZL8-000	5580089
5	ARM, EX. VALVE ROCKER.....	-----	-----	1	14441-ZL8-000	5580097
	ARM, EX. VALVE ROCKER.....	-----	-----	1	14441-Z0J-000	7526130
6	SHAFT, ROCKER ARM	-----	-----	2	14461-ZL8-000	5580105
7	VALVE, IN.	-----	-----	1	14711-Z0J-000	7647118
8	VALVE, EX.	-----	-----	1	14721-ZL8-000	5580121
9	SPRING, VALVE	-----	-----	2	14751-ZL8-000	5580139
10	RETAINER, IN. VALVE SPRING	-----	-----	2	14771-ZE1-000	1426980
11	SCREW, TAPPET ADJ.	-----	-----	2	90012-333-000	0294819
12	NUT, TAPPET ADJ.	-----	-----	2	90206-001-000	0004598
13	O-RING (6.8X1.9).....	-----	-----	1	91301-ZM0-V31	6315873
14	SEAL, VALVE STEM	-----	-----	1	12209-ZM0-003	6839831

RECOIL STARTER



ZM00-E1100C

ZM00E1100C

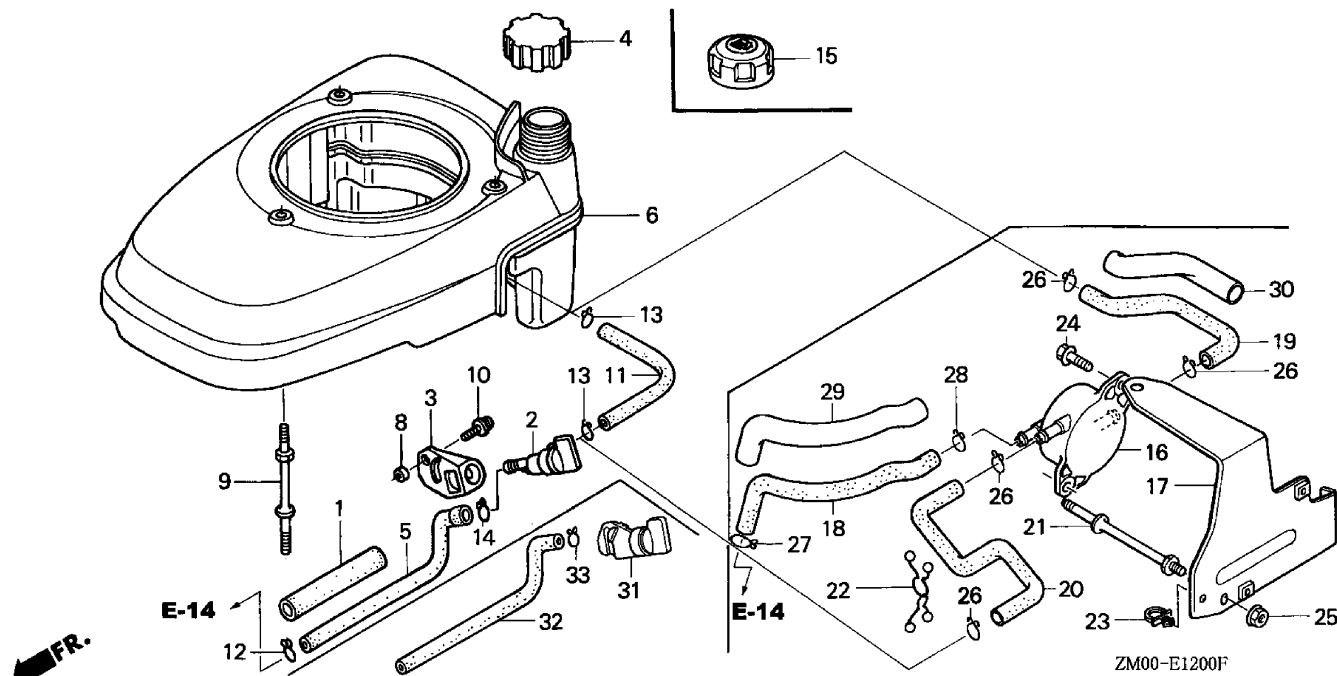
MODEL
A =GCV160A

TYPE
a =S3A

E-11

Ref	Description	Engine Serial Number		QTY	Part Number	H/C
		From	To			
1	STARTER ASSY., RECOIL *NH1* (LONG ROPE) (BLACK)	-----	-----	1	28400-ZM0-632ZA	6092886
8	KNOB, RECOIL STARTER	-----	-----	1	28461-ZL8-003	5580634
9	ROPE, RECOIL STARTER (#3.5X90")	-----	-----	1	28462-ZL8-631	5580642
11	NUT, FLANGE (6MM).....	-----	-----	3	90201-ZM0-000	6478812

FAN COVER



ZM00E1200F

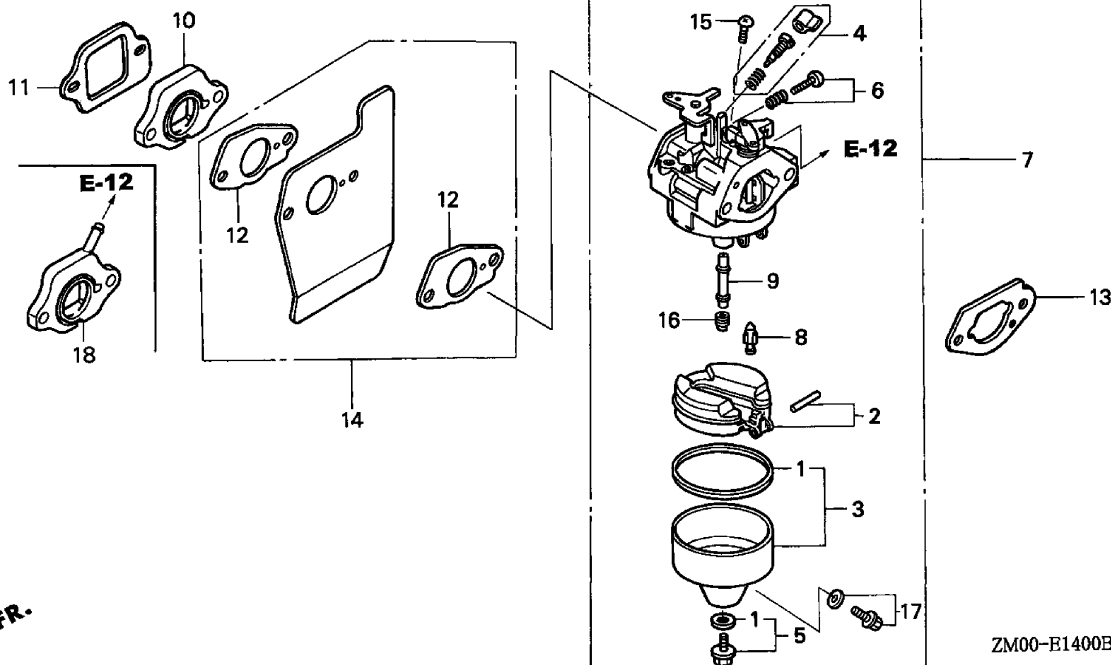
MODEL
A =GCV160A

TYPE
a =S3A

E-12

Ref	Description	Engine Serial Number		QTY	Part Number	H/C
		From	To			
1	RUBBER, SUPPORTER (107MM)	-----	-----	1	16854-ZH8-000	3683646
2	PETCOCK ASSY.....	-----	-----	1	16950-ZG9-M03	7357379
3	BRACKET, PETCOCK	-----	-----	1	16956-ZG9-M00	5189352
4	CAP ASSY., FUEL TANK.....	-----	-----	1	17620-ZL8-013	6673289
5	TUBE, FUEL	-----	-----	1	17702-ZM0-000	5580469
6	COVER, FAN *T89* (CRAFTSMAN RED) ..	-----	-----	1	19610-Z0L-800ZC	7399371
8	COLLAR, FUEL PETCOCK	-----	-----	1	91501-Z0L-800	6978399
9	BOLT, STUD.....	-----	-----	3	90043-ZL8-000	5581004
10	SCREW-WASHER (5X10)	-----	-----	1	93891-05010-08	0671636
11	TUBE, FUEL TANK	-----	-----	1	17701-Z0L-000	6754279
12	CLIP, TUBE (B8)	-----	-----	1	95002-02080	0250647
13	CLIP, TUBE (B10)	-----	-----	2	95002-02100	0250985
14	CLIP, TUBE (C9)	-----	-----	1	95002-50000	0053447

CARBURETOR



ZM00E1400B

MODEL
A =GCV160A

TYPE
a =S3A

E-14

Ref	Description	Engine Serial Number		QTY	Part Number	H/C
		From	To			
1	GASKET SET	-----	-----	1	16010-883-015	3088416
2	FLOAT SET	-----	-----	1	16013-ZL1-003	5580162
3	CHAMBER SET, FLOAT (CARBURETOR NO.).....	-----	-----	1	16015-887-782	3465879
5	SCREW SET B.....	-----	-----	1	16028-ZE0-005	1441518
7	CARBURETOR ASSY. (BB62G A).....	-----	-----	1	16100-Z0L-801	7301138
8	VALVE, FLOAT.....	-----	-----	1	16155-ZM0-003	5580212
9	NOZZLE, MAIN.....	-----	-----	1	16166-ZM0-003	5580220
10	INSULATOR, CARBURETOR	-----	-----	1	16211-ZL8-000	5580238
11	GASKET, INSULATOR.....	-----	-----	1	16212-ZL8-000	5580246
12	GASKET, CARBURETOR	-----	-----	2	16221-883-800	4581120
13	GASKET, CARBURETOR (CHOKE SIDE)	-----	-----	1	16228-ZL8-000	5580253
14	GUIDE, AIR	-----	-----	1	19650-ZM0-000	5580535
15	SCREW, PAN (5X6).....	-----	-----	1	93500-05006-0H	0639419
16	JET, MAIN (#60) (CARBURETOR NO.).....	-----	-----	(1)	99101-124-0600	0635474
	JET, MAIN (#62) (CARBURETOR NO.).....	-----	-----	(1)	99101-124-0620	0635482
	JET, MAIN (#65).....	-----	-----	1	99101-124-0650	0636126

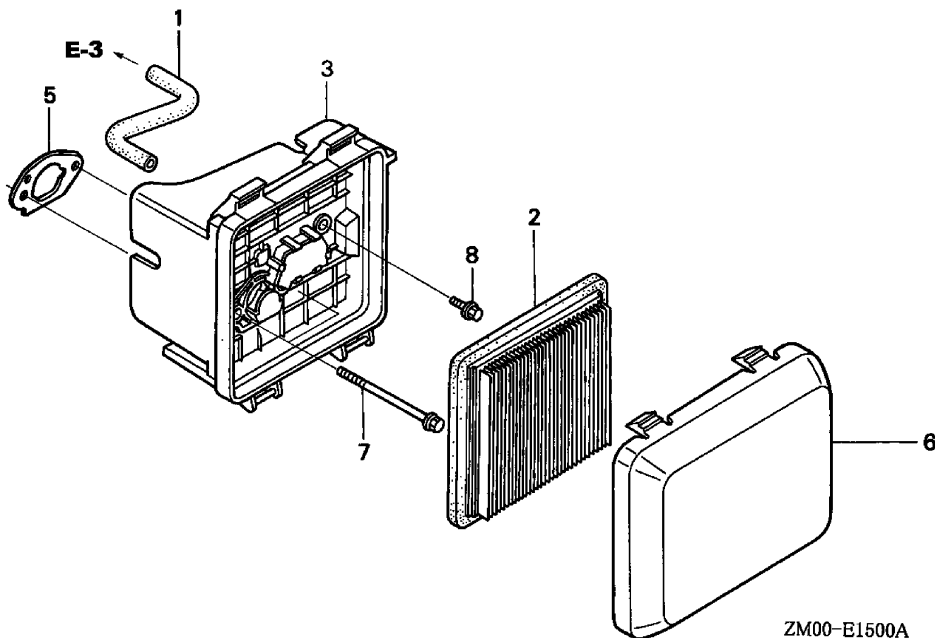
CARBURETOR

MODEL **TYPE**
 A =GCV160A a =S3A

E-14

Ref	Description	Engine Serial Number		QTY	Part Number	H/C
		From	To			
17	SCREW SET, DRAIN (CARBURETOR NO.).....	-----		1	16024-ZE1-811	1672187

AIR CLEANER



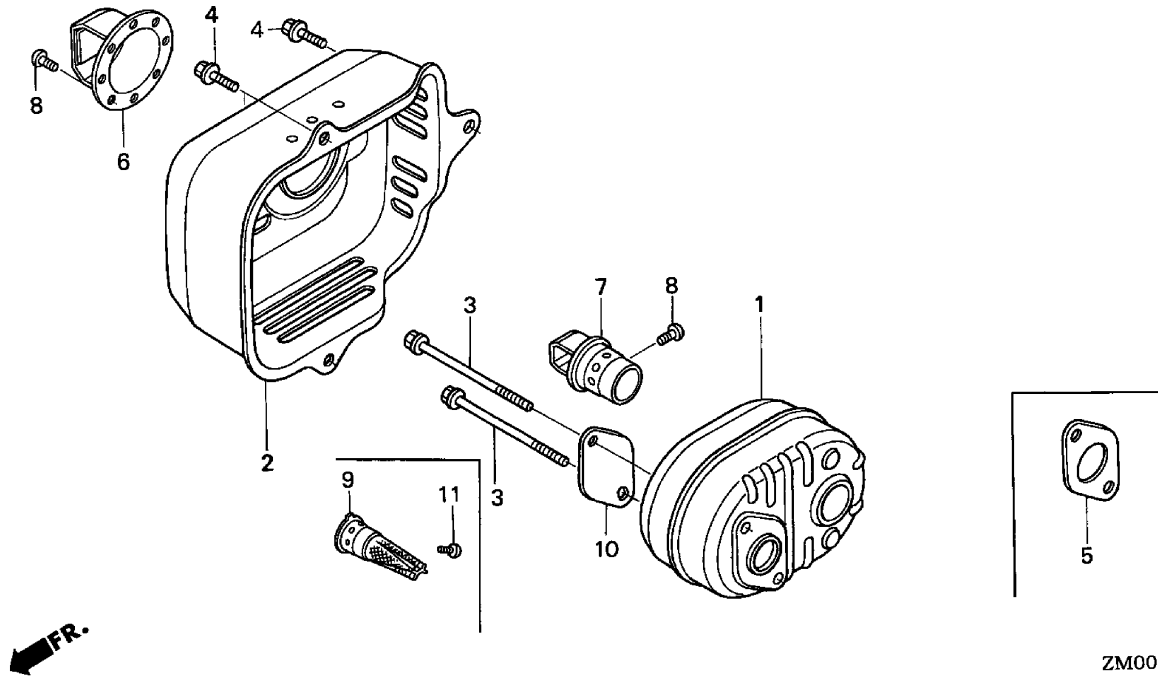
ZM00E1500A

MODEL **TYPE**
 A =GCV160A a =S3A

E-15

Ref	Description	Engine Serial Number		QTY	Part Number	H/C
		From	To			
1	TUBE, BREATHER.....	-----	-----	1	15721-ZM0-000	5580154
2	ELEMENT, AIR CLEANER.....	-----	-----	1	17211-ZL8-003	6718159
3	CASE ASSY., AIR CLEANER	-----	-----	1	17220-ZM0-000	5580410
5	GASKET, AIR CLEANER.....	-----	-----	1	17228-ZM0-000	5664560
6	COVER, AIR CLEANER.....	-----	-----	1	17231-Z0L-020	7399397
7	BOLT, FLANGE (6X86) (CT200)	-----	-----	2	90003-ZM0-000	5580964
8	BOLT, FLANGE (6X14)	-----	-----	1	95701-06014-08	2374742

MUFFLER



ZM00-E1600E

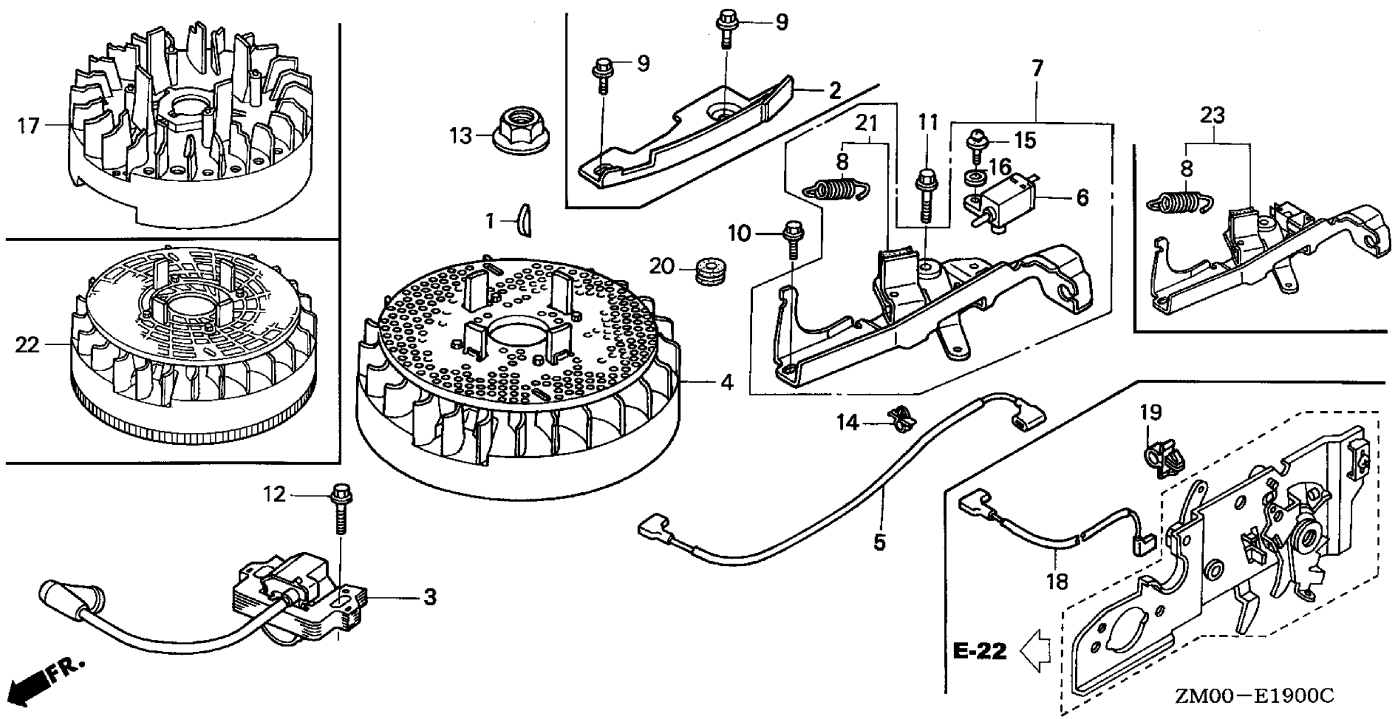
ZM00E1600E

MODEL **TYPE**
 A =GCV160A a =S3A

E-16

Ref	Description	Engine Serial Number		QTY	Part Number	H/C
		From	To			
1	MUFFLER.....	-----	-----	1	18310-ZM0-000	5580485
2	PROTECTOR, MUFFLER (CBU).....	-----	-----	1	18321-ZL8-A00	5664610
3	BOLT, FLANGE (6X79) (CT200).....	-----	-----	2	90004-ZL8-000	5580972
4	BOLT, FLANGE (6X12) (CT200).....	-----	-----	3	90013-883-000	0636845
5	GASKET, MUFFLER.....	-----	-----	(1)	18381-ZL8-305	5737457
9	ARRESTER, SPARK.....	-----	-----	(1)	18350-ZL8-000	5656012
10	PLATE, ARRESTER NUMBER.....	-----	-----	(1)	18356-ZL8-000	5611397
11	SCREW, TAPPING (4X6).....	-----	-----	(1)	90055-ZE1-000	1431121

FLYWHEEL



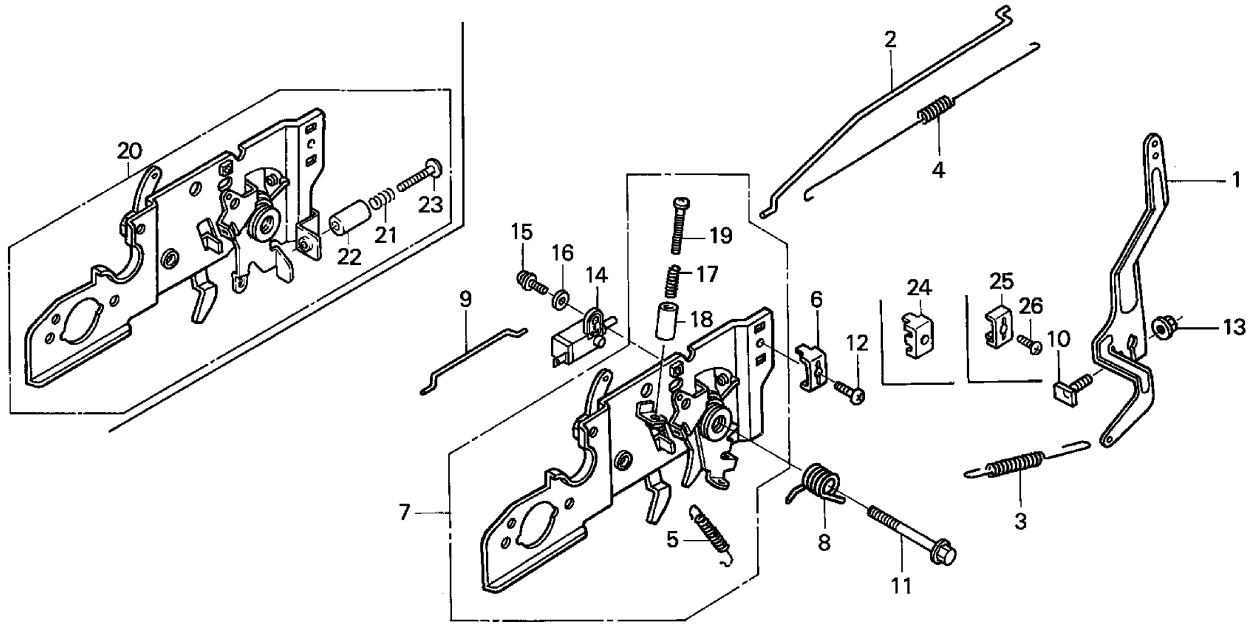
MODEL
A =GCV160A

TYPE
a =S3A

E-19

Ref	Description	Engine Serial Number		QTY	Part Number	H/C
		From	To			
1	KEY, SPECIAL WOODRUFF (25X18)	-----	-----	1	13331-357-000	0348433
3	COIL ASSY., IGNITION	-----	-----	1	30500-Z0J-003	6859722
4	FLYWHEEL ASSY.....	-----	-----	1	31105-Z0L-010	7489651
5	WIRE, STOP SWITCH	-----	-----	1	32195-ZM0-800	6315816
6	SWITCH ASSY., ENGINE STOP (N.C)	-----	-----	1	35120-ZM0-003	5580683
8	SPRING, BRAKE LEVER.....	-----	-----	1	75113-ZM0-000	5580790
10	BOLT, FLANGE (6X14)	-----	-----	1	90014-952-000	0803619
11	BOLT, FLANGE (6X23)	-----	-----	1	90018-ZE1-000	1725050
12	BOLT, FLANGE (6X20) (CT200)	-----	-----	1	90022-888-010	0671552
13	NUT, SPECIAL (14MM)	-----	-----	1	90201-878-003	0442038
14	CLIP, CABLE (A)	-----	-----	1	90681-959-003	1824630
15	SCREW-WASHER (4X12)	-----	-----	1	93892-04012-00	0485946
16	WASHER, PLAIN (4MM)	-----	-----	1	94103-04000	1510361
20	GROMMET A, RR. COVER	-----	-----	1	11344-MB0-000	1240845
21	BRAKE SUB-ASSY.....	-----	-----	1	75110-Z0L-800	7301591

CONTROL (1)



ZM00-E2200E

ZM00E2200E

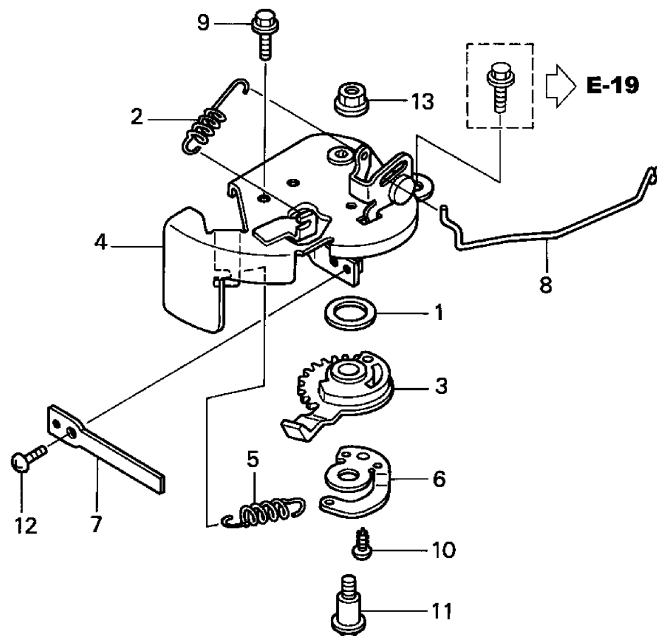
MODEL
A =GCV160A

TYPE
a =S3A

E-22

Ref	Description	Engine Serial Number		QTY	Part Number	H/C
		From	To			
3	SPRING, GOVERNOR.....	-----	-----	1	16561-Z0L-000	7544224

CHOKE BASE



ZM00- E2203

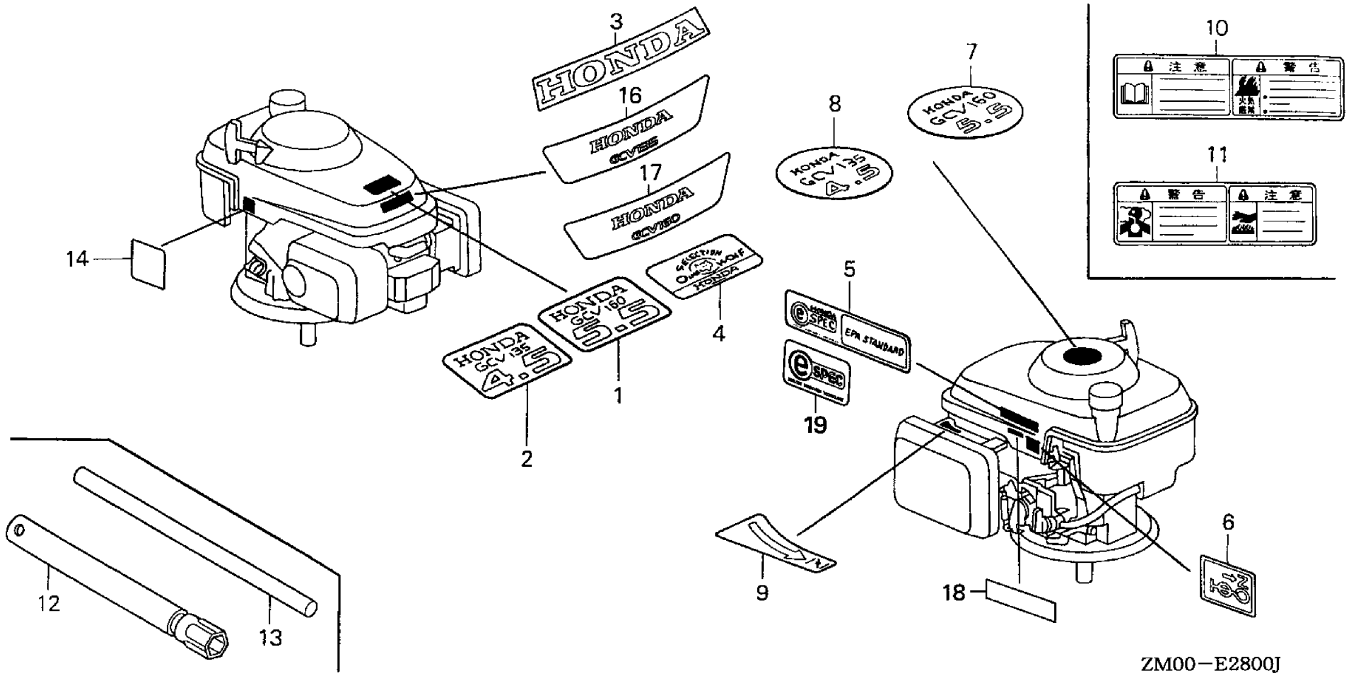
ZM00E2203

MODEL **TYPE**
A =GCV160A a =S3A

E-22-3

Ref	Description	Engine Serial Number		QTY	Part Number	H/C
		From	To			
1	SEAL, CHOKE LEVER.....	-----	-----	1	16251-Z0L-800	7257157
2	SPRING, CABLE RETURN	-----	-----	1	16592-ZJ1-000	4209581
3	LEVER, CHOKE	-----	-----	1	16612-Z0L-800	7257165
4	BASE, CHOKE	-----	-----	1	16613-Z0L-800	7257173
5	SPRING, CHOKE LEVER	-----	-----	1	16614-Z0L-800	7257181
6	HOOK, CHOKE SPRING	-----	-----	1	16616-Z0L-800	7257199
7	PLATE, CHOKE	-----	-----	1	16619-Z0L-800	7257207
8	ROD, STOP	-----	-----	1	16632-Z0L-800	7229867
9	BOLT, FLANGE (6X16)	-----	-----	1	90029-888-000	0747733
10	SCREW, TAPPING (4X8) (PO)	-----	-----	1	90102-SP1-003	3674413
11	SCREW, PAN (5X19)	-----	-----	1	90141-KT8-000	2544690
12	SCREW, PAN (4X8).....	-----	-----	1	93500-04008-0H	0369017
13	NUT, FLANGE (5MM).....	-----	-----	1	94050-05000	0636951

LABELS



ZM00-E2800J

ZM00E2800J

MODEL **TYPE**
 A =GCV160A a =S3A

E-28

Ref	Description	Engine Serial Number		QTY	Part Number	H/C
		From	To			
9	MARK, CHOKE INDICATION.....	-----	-----	1	87528-Z0L-V20	7400187

Part Number Index

PART NUMBER INDEX

Part Number	Grid	Page	Part Number	Grid	Page	Part Number	Grid	Page
(1)			16614-ZOL-800	1-C8	1-16	90022-888-010	1-C7	1-14
11300-ZM0-405	1-C1	1-3	16616-ZOL-800	1-C8	1-16	90029-888-000	1-C8	1-16
11344-MB0-000	1-C7	1-14	16619-ZOL-800	1-C8	1-16	90043-ZL8-000	1-C4	1-9
12000-ZL8-415	1-C1	1-2	16632-ZOL-800	1-C8	1-16	90055-ZE1-000	1-C6	1-13
12209-ZM0-003	1-C3	1-7	16854-ZH8-000	1-C4	1-9	90102-SP1-003	1-C8	1-16
12311-ZL8-000	1-C1	1-2	16950-ZG9-M03	1-C4	1-9	90121-952-000	1-C1	1-3
12355-ZL8-000	1-C1	1-2	16956-ZG9-M00	1-C4	1-9	90141-KT8-000	1-C8	1-16
13010-ZL8-003	1-C3	1-6	17211-ZL8-003	1-C6	1-12	90201-878-003	1-C7	1-14
13010-ZL8-024	1-C3	1-6	17220-ZM0-000	1-C6	1-12	90201-ZM0-000	1-C4	1-8
13101-ZL8-000	1-C3	1-6	17228-ZM0-000	1-C6	1-12	90206-001-000	1-C3	1-7
13111-ZE0-000	1-C3	1-6	17231-ZOL-020	1-C6	1-12	90402-ZL8-000	1-C2	1-5
13200-ZL8-000	1-C3	1-6	17620-ZL8-013	1-C4	1-9	90451-ZE1-000	1-C1	1-3
13310-ZM0-610	1-C2	1-5	17701-ZOL-000	1-C4	1-9	90551-ZE0-000	1-C3	1-6
13331-357-000	1-C7	1-14	17702-ZM0-000	1-C4	1-9	90602-ZE1-000	1-C1	1-3
14320-ZL8-010	1-C3	1-7	18310-ZM0-000	1-C6	1-13	90681-959-003	1-C7	1-14
14324-ZL8-000	1-C3	1-7	18321-ZL8-A00	1-C6	1-13	91201-ZL8-003	1-C1	1-2
14400-Z0J-014	1-C3	1-7	18350-ZL8-000	1-C6	1-13	91202-ZL8-003	1-C1	1-3
14431-ZL8-000	1-C3	1-7	18356-ZL8-000	1-C6	1-13	91301-ZM0-V31	1-C3	1-7
14441-Z0J-000	1-C3	1-7	18381-ZL8-305	1-C6	1-13	91303-KF0-003	1-C1	1-3
14441-ZL8-000	1-C3	1-7	19610-ZOL-800ZC	1-C4	1-9	91356-MA6-005	1-C2	1-4
14461-ZL8-000	1-C3	1-7	19650-ZM0-000	1-C5	1-10	91501-ZOL-800	1-C4	1-9
14711-Z0J-000	1-C3	1-7	(2)			93500-04008-0H	1-C8	1-16
14721-ZL8-000	1-C3	1-7	28400-ZM0-632ZA	1-C4	1-8	93500-05006-0H	1-C5	1-10
14751-ZL8-000	1-C3	1-7	28461-ZL8-003	1-C4	1-8	93891-05010-08	1-C4	1-9
14771-ZE1-000	1-C3	1-7	28462-ZL8-631	1-C4	1-8	93892-04012-00	1-C7	1-14
15625-ZE6-000	1-C1	1-3	(3)			94050-05000	1-C8	1-16
15631-ZM0-000	1-C1	1-3	30500-Z0J-003	1-C7	1-14	94101-06800	1-C2	1-4
15639-ZM0-000	1-C1	1-3	31105-ZOL-010	1-C7	1-14	94103-04000	1-C7	1-14
15650-ZM0-801	1-C1	1-3	32195-ZM0-800	1-C7	1-14	94251-08000	1-C2	1-4
15721-ZM0-000	1-C6	1-12	35120-ZM0-003	1-C7	1-14	94301-08200	1-C2	1-4
16010-883-015	1-C5	1-10	(7)			95002-02080	1-C4	1-9
16013-ZL1-003	1-C5	1-10	75110-ZOL-800	1-C7	1-14	95002-02100	1-C4	1-9
16015-887-782	1-C5	1-10	75113-ZM0-000	1-C7	1-14	95002-50000	1-C4	1-9
16024-ZE1-811	1-C5	1-11	(8)			95701-06014-08	1-C6	1-12
16028-ZE0-005	1-C5	1-10	87528-ZOL-V20	1-C8	1-17	98079-56846	1-C1	1-2
16100-ZOL-801	1-C5	1-10	(9)			99101-124-0600	1-C5	1-10
16155-ZM0-003	1-C5	1-10	90001-ZE1-000	1-C3	1-6	99101-124-0620	1-C5	1-10
16166-ZM0-003	1-C5	1-10	90003-ZM0-000	1-C6	1-12	99101-124-0650	1-C5	1-10
16211-ZL8-000	1-C5	1-10	90004-ZL8-000	1-C6	1-13			
16212-ZL8-000	1-C5	1-10	90012-333-000	1-C3	1-7			
16221-883-800	1-C5	1-10	90013-883-000	1-C1	1-2			
16228-ZL8-000	1-C5	1-10		1-C6	1-13			
16251-ZOL-800	1-C8	1-16	90014-952-000	1-C1	1-2			
16508-ZM0-010	1-C1	1-3		1-C1	1-3			
16510-ZM0-010	1-C1	1-3		1-C7	1-14			
16511-ZL8-000	1-C1	1-3		1-C7	1-14			
16512-ZM0-000	1-C1	1-3		1-C7	1-14			
16513-ZE1-000	1-C1	1-3		1-C7	1-14			
16531-ZE1-000	1-C1	1-3		1-C7	1-14			
16541-ZM0-000	1-C1	1-3		1-C7	1-14			
16561-ZOL-000	1-C7	1-15		1-C7	1-14			
16592-ZJ1-000	1-C8	1-16		1-C7	1-14			
16612-ZOL-800	1-C8	1-16		1-C7	1-14			
16613-ZOL-800	1-C8	1-16		1-C7	1-14			

Description Index

DESCRIPTION INDEX

Description	Grid	Page	Ref	Description	Grid	Page	Ref
(A)				(E)			
ARM, EX. VALVE ROCKER	1-C3	1-7	5	ELEMENT, AIR CLEANER	1-C6	1-12	2
ARM, IN. VALVE ROCKER	1-C3	1-7	4	EXTENSION, OIL FILLER	1-C1	1-3	5
ARRESTER, SPARK	1-C6	1-13	9	(F)			
(B)				(G)			
BASE, CHOKE	1-C8	1-16	4	FLOAT SET	1-C5	1-10	2
BELT, TIMING (84HU7 G-200)	1-C3	1-7	3	FLYWHEEL ASSY.....	1-C7	1-14	4
BOLT, CONNECTING ROD	1-C3	1-6	4	(H)			
BOLT, FLANGE (6X12) (CT200)	1-C1	1-2	5	GASKET, AIR CLEANER	1-C6	1-12	5
	1-C6	1-13	4	GASKET, CARBURETOR	1-C5	1-10	12
BOLT, FLANGE (6X14)	1-C1	1-2	6	GASKET, CARBURETOR (CHOKE SIDE)	1-C5	1-10	13
	1-C1	1-3	15	GASKET, INSULATOR	1-C5	1-10	11
	1-C6	1-12	8	GASKET, MUFFLER	1-C6	1-13	5
	1-C7	1-14	10	GASKET, OIL FILLER CAP	1-C1	1-3	4
BOLT, FLANGE (6X16)	1-C8	1-16	9	GASKET SET	1-C5	1-10	1
BOLT, FLANGE (6X20) (CT200)	1-C7	1-14	12	GOVERNOR ASSY.....	1-C1	1-3	9
BOLT, FLANGE (6X23)	1-C7	1-14	11	GROMMET A, RR. COVER	1-C7	1-14	20
BOLT, FLANGE (6X25)	1-C1	1-3	16	GUIDE, AIR	1-C5	1-10	14
BOLT, FLANGE (6X79) (CT200)	1-C6	1-13	3	(I)			
BOLT, FLANGE (6X86) (CT200)	1-C6	1-12	7	(J)			
BOLT, STUD	1-C4	1-9	9	JET, MAIN (#60)	1-C5	1-10	16
BRACKET, PETCOCK	1-C4	1-9	3	JET, MAIN (#62)	1-C5	1-10	16
BRAKE SUB-ASSY.	1-C7	1-14	21	JET, MAIN (#65)	1-C5	1-10	16
(C)				(K)			
CAP ASSY., FUEL TANK	1-C4	1-9	4	KEY, SPECIAL WOODRUFF (25X18)	1-C7	1-14	1
CARBURETOR ASSY. (BB62G A)	1-C5	1-10	7	KNOB, RECOIL STARTER	1-C4	1-8	8
CASE ASSY., AIR CLEANER	1-C6	1-12	3	(L)			
CHAMBER SET, FLOAT	1-C5	1-10	3	(M)			
CLIP, CABLE (A)	1-C7	1-14	14	MARK, CHOKE INDICATION	1-C8	1-17	9
CLIP, GOVERNOR HOLDER	1-C1	1-3	18	MUFFLER	1-C6	1-13	1
CLIP, PISTON PIN (13MM)	1-C3	1-6	5	(D)			
CLIP, TUBE (B10)	1-C4	1-9	13	DIPSTICK, OIL	1-C1	1-3	2
CLIP, TUBE (B8)	1-C4	1-9	12	(A)			
CLIP, TUBE (C9)	1-C4	1-9	14	(B)			
COIL ASSY., IGNITION	1-C7	1-14	3	(C)			
COLLAR, FUEL PETCOCK	1-C4	1-9	8	(D)			
COVER, AIR CLEANER	1-C6	1-12	6	(E)			
COVER, BREATHER	1-C1	1-2	4	(F)			
COVER, FAN *T89* (CRAFTSMAN RED)	1-C4	1-9	6	(G)			
COVER, HEAD	1-C1	1-2	3	(H)			
CRANKSHAFT (N3-TYPE)	1-C2	1-5	3	(I)			
CYLINDER ASSY. (010)	1-C1	1-2	1	(J)			

DESCRIPTION INDEX

Description	Grid	Page	Ref	Description	Grid	Page	Ref
(N)				SHAFT, GOVERNOR HOLDER	1-C1	1-3	8
NOZZLE, MAIN	1-C5	1-10	9	SHAFT, ROCKER ARM	1-C3	1-7	6
NUT, FLANGE (5MM)	1-C8	1-16	13	SLIDER, GOVERNOR	1-C1	1-3	13
NUT, FLANGE (6MM)	1-C4	1-8	11	SPARK PLUG (BPR6ES) (NGK)	1-C1	1-2	8
NUT, SPECIAL (14MM)	1-C7	1-14	13	SPRING, BRAKE LEVER	1-C7	1-14	8
NUT, TAPPET ADJ.	1-C3	1-7	12	SPRING, CABLE RETURN	1-C8	1-16	2
(O)				SPRING, CHOKE LEVER	1-C8	1-16	5
OIL SEAL (25.4X62X6)	1-C1	1-2	7	SPRING, GOVERNOR	1-C7	1-15	3
OIL SEAL (28X41.25X6)	1-C1	1-3	19	SPRING, VALVE	1-C3	1-7	9
O-RING (14.8X2.4) (ARAI)	1-C1	1-3	20	STARTER ASSY., RECOIL *NH1* (LONG ROPE)			
O-RING (14.8X2.4) (NOK)	1-C2	1-4	20	(BLACK)	1-C4	1-8	1
O-RING (6.8X1.9)	1-C3	1-7	13	SWITCH ASSY., ENGINE STOP (N.C)	1-C7	1-14	6
(P)				(T)			
PAN ASSY., OIL (000)	1-C1	1-3	1	TUBE, BREATHER	1-C6	1-12	1
PETCOCK ASSY.	1-C4	1-9	2	TUBE, FUEL	1-C4	1-9	5
PIN, DOWEL (8X20)	1-C2	1-4	23	TUBE, FUEL TANK	1-C4	1-9	11
PIN, GOVERNOR WEIGHT	1-C1	1-3	12	(V)			
PIN, LOCK (8MM)	1-C2	1-4	22	VALVE, EX.	1-C3	1-7	8
PIN, PISTON	1-C3	1-6	2	VALVE, FLOAT	1-C5	1-10	8
PISTON	1-C3	1-6	1	VALVE, IN.	1-C3	1-7	7
PLATE, ARRESTER NUMBER	1-C6	1-13	10	(W)			
PLATE, CHOKE	1-C8	1-16	7	WASHER, EXTENSION LOCK	1-C1	1-3	6
PROTECTOR, MUFFLER (CBU)	1-C6	1-13	2	WASHER, PLAIN (4MM)	1-C7	1-14	16
PULLEY, CAMSHAFT	1-C3	1-7	1	WASHER, PLAIN (6MM)	1-C2	1-4	21
(R)				WASHER, THRUST	1-C2	1-5	5
RETAINER, IN. VALVE SPRING	1-C3	1-7	10	WASHER, THRUST (6MM)	1-C1	1-3	17
RING SET, PISTON (RIKEN)	1-C3	1-6	6	WEIGHT, GOVERNOR	1-C1	1-3	10
RING SET, PISTON (TEIKOKU)	1-C3	1-6	6	WIRE, STOP SWITCH	1-C7	1-14	5
ROD ASSY., CONNECTING	1-C3	1-6	3				
ROD, STOP	1-C8	1-16	8				
ROPE, RECOIL STARTER (#3.5X90")	1-C4	1-8	9				
RUBBER, SUPPORTER (107MM)	1-C4	1-9	1				
(S)							
SCREW, PAN (4X8)	1-C8	1-16	12				
SCREW, PAN (5X19)	1-C8	1-16	11				
SCREW, PAN (5X6)	1-C5	1-10	15				
SCREW SET B	1-C5	1-10	5				
SCREW SET, DRAIN	1-C5	1-11	17				
SCREW, TAPPET ADJ.	1-C3	1-7	11				
SCREW, TAPPING (4X6)	1-C6	1-13	11				
SCREW, TAPPING (4X8) (PO)	1-C8	1-16	10				
SCREW-WASHER (4X12)	1-C7	1-14	15				
SCREW-WASHER (5X10)	1-C4	1-9	10				
SEAL, CHOKE LEVER	1-C8	1-16	1				
SEAL, VALVE STEM	1-C3	1-7	14				
SHAFT, CAM PULLEY	1-C3	1-7	2				
SHAFT, GOVERNOR ARM	1-C1	1-3	14				